



US00D958881S

(12) **United States Design Patent** (10) **Patent No.:** **US D958,881 S**
Asano (45) **Date of Patent:** **** Jul. 26, 2022**

(54) **PRINTER**

FOREIGN PATENT DOCUMENTS

(71) Applicant: **BROTHER INDUSTRIES, LTD.**,
Nagoya (JP)

CN 302299324 * 1/2013
CN 306003936 * 8/2020

(Continued)

(72) Inventor: **Masahide Asano**, Nagoya (JP)

OTHER PUBLICATIONS

(73) Assignee: **BROTHER INDUSTRIES, LTD.**,
Nagoya (JP)

Amazon. Link: <https://www.amazon.com/Brother-Wireless-MFC-J491DW-Multi-Function-Replenishment/dp/B07C4V4WWF>. May 13, 2018. Brother Wireless All-in-One Inkjet Printer, MFC-J491DW. (Year: 2018).*

(**) Term: **15 Years**

(Continued)

(21) Appl. No.: **29/690,298**

(22) Filed: **May 7, 2019**

Primary Examiner — Lauren D McVey

(30) **Foreign Application Priority Data**

(74) *Attorney, Agent, or Firm* — Oliff PLC

Nov. 8, 2018 (JP) 2018-024532

(51) **LOC (13) Cl.** **14-02**

(57) **CLAIM**

(52) **U.S. Cl.**
USPC **D18/50**

The ornamental design for a printer, as shown and described.

(58) **Field of Classification Search**
USPC D18/50, 53, 54, 55, 56, 59, 36, 37, 38,
D18/39, 40, 41, 45; D14/301, 307, 121
CPC H04N 1/00278; H04N 1/00204; H04N
1/00249; G06K 15/12; G06K 15/14; B41J
3/00; B41J 3/28; B41J 3/445; B41J 3/46
See application file for complete search history.

DESCRIPTION

(56) **References Cited**

U.S. PATENT DOCUMENTS

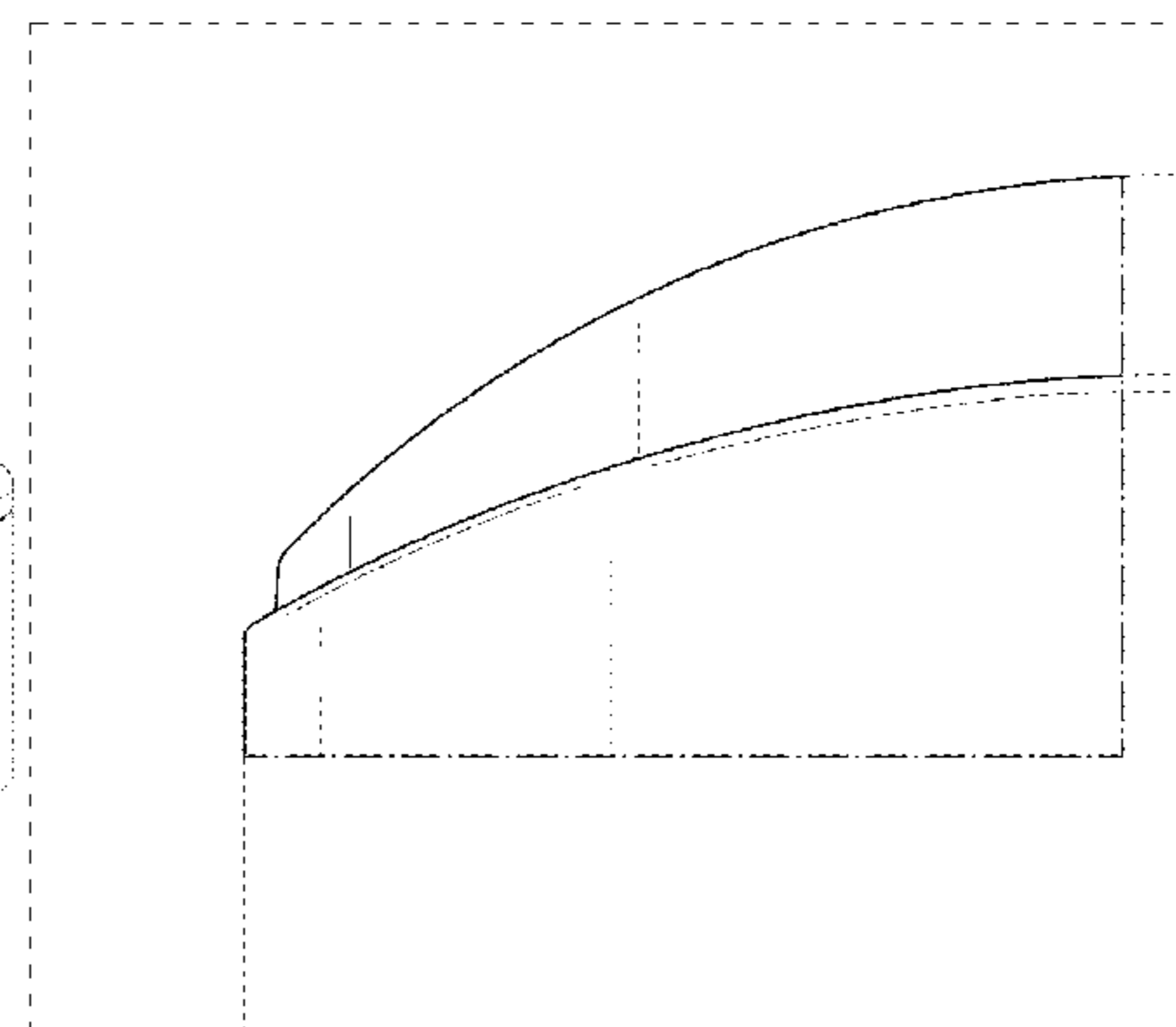
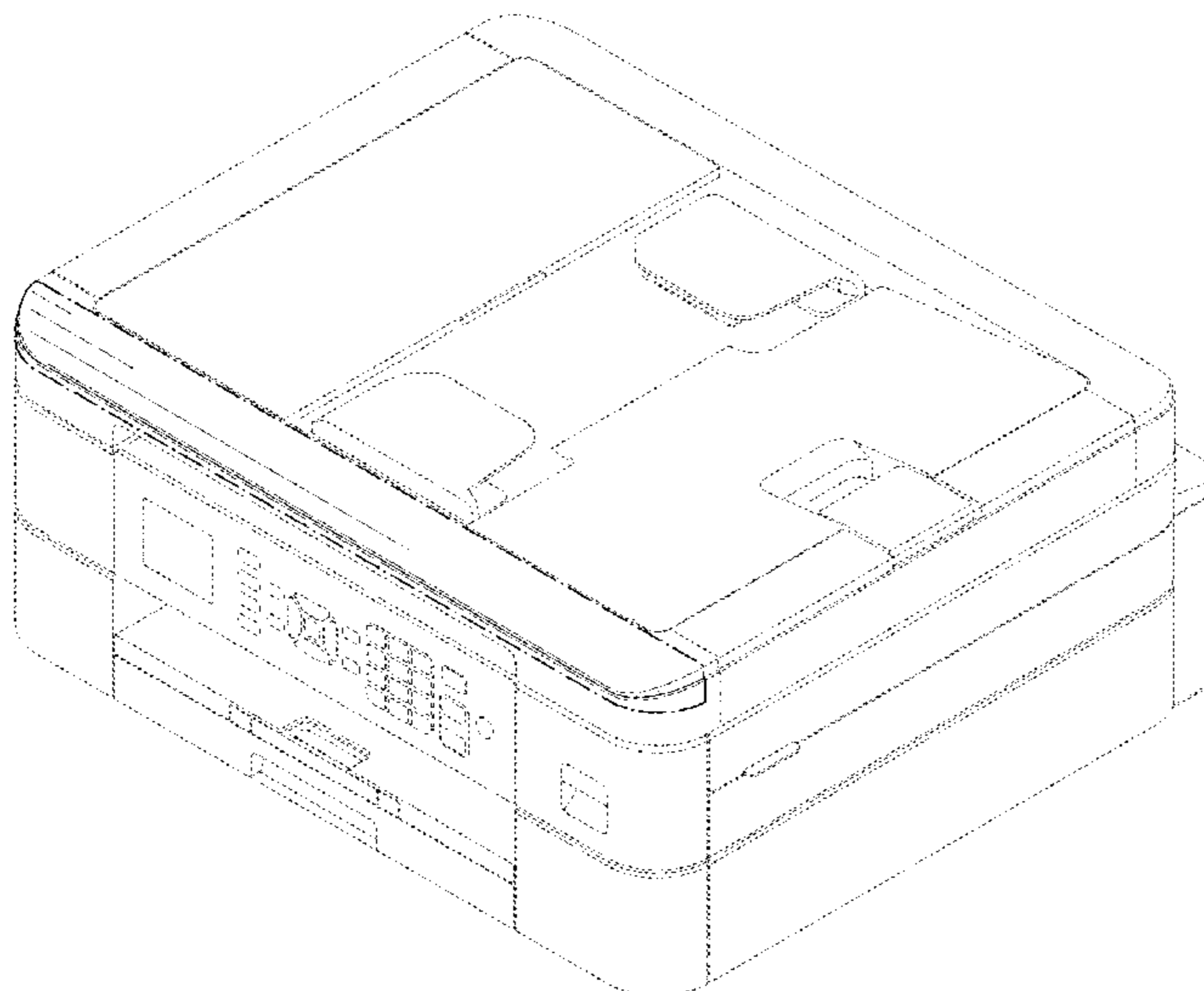
D489,754 S * 5/2004 Akahane D18/55
D648,377 S * 11/2011 Miyauchi D18/50
D664,192 S * 7/2012 Emmenegger D18/50
D670,327 S * 11/2012 Yamashita D18/55
D673,211 S * 12/2012 Oishi D18/50
D737,895 S * 9/2015 Nanno D18/50
D744,028 S * 11/2015 Odachi D18/50
D815,194 S * 4/2018 Villalobos D18/50
D822,759 S * 7/2018 Yamamoto D18/50
D893,599 S * 8/2020 Richtsmeier D18/50

(Continued)

FIG. 1 is a perspective view of a printer;
FIG. 2 is a front elevational view thereof;
FIG. 3 is a rear elevational view thereof;
FIG. 4 is a left-side elevational view thereof;
FIG. 5 is a right-side elevational view thereof;
FIG. 6 is a top plan view thereof;
FIG. 7 is a bottom plan view thereof; and,
FIG. 8 is a detail view of the portion encircled as “8” in FIG. 5.

The evenly close-spaced broken lines depict unclaimed parts of the printer and form no part of the claimed design. The evenly wide-spaced broken lines in FIG. 5 indicate a detail view for FIG. 8 and form no part of the claimed design. The dot-dash chain lines depict a boundary of the claimed subject matter and form no part of the claimed design.

1 Claim, 8 Drawing Sheets



(56)

References Cited

U.S. PATENT DOCUMENTS

D914,084 S * 3/2021 Takeuchi D18/55
D923,701 S * 6/2021 Lim D18/50
D942,536 S * 2/2022 Odachi D18/53

FOREIGN PATENT DOCUMENTS

CN 306255987 * 12/2020
JP D1481590 * 4/2016
JP D1566380 * 12/2019
JP D1633760 * 2/2022

OTHER PUBLICATIONS

Amazon. Link: https://www.amazon.com/Brother-MFC-J1205W-Inkvestment-Wireless-Multi-Function/dp/B092YXNZT6/ref=sr_1_2?crid=25LFSUAFD599J&keywords=B092YXNZT6&qid=1646912581&s=office-products&sprefix=b092yxnz6%2Coffice-products%2C59&sr=1-2. Jun. 17, 2021. Brother MFC-J1205W Inkvestment Tank. (Year: 2021).*

Amazon. Link: https://www.amazon.com/Brother-MFC-J460DW-Wireless-Automatic-Replenishment/dp/B015ACX13U/ref=sr_1_1?crid=K5JQXNZTWOGX&keywords=B015ACX13U&qid=1646943173&s=electronics&sprefix=b015acx13u%2Celectronics%2C69&sr=1-1. Dec. 1, 2015. Brother MFC-J460DW, All-in-One Color Inkjet Printer. (Year: 2015).*

Amazon. Link: https://www.amazon.com/Premium-Canon-Inkjet-Printer-Resolution/dp/B09B7GGLCK/ref=psdc_172646_t4_B09D7Z6JVM. Jul. 26, 2021. Premium Canon PIXMA 2522 Series All-in-One Color Inkjet Printer. (Year: 2021).*

* cited by examiner

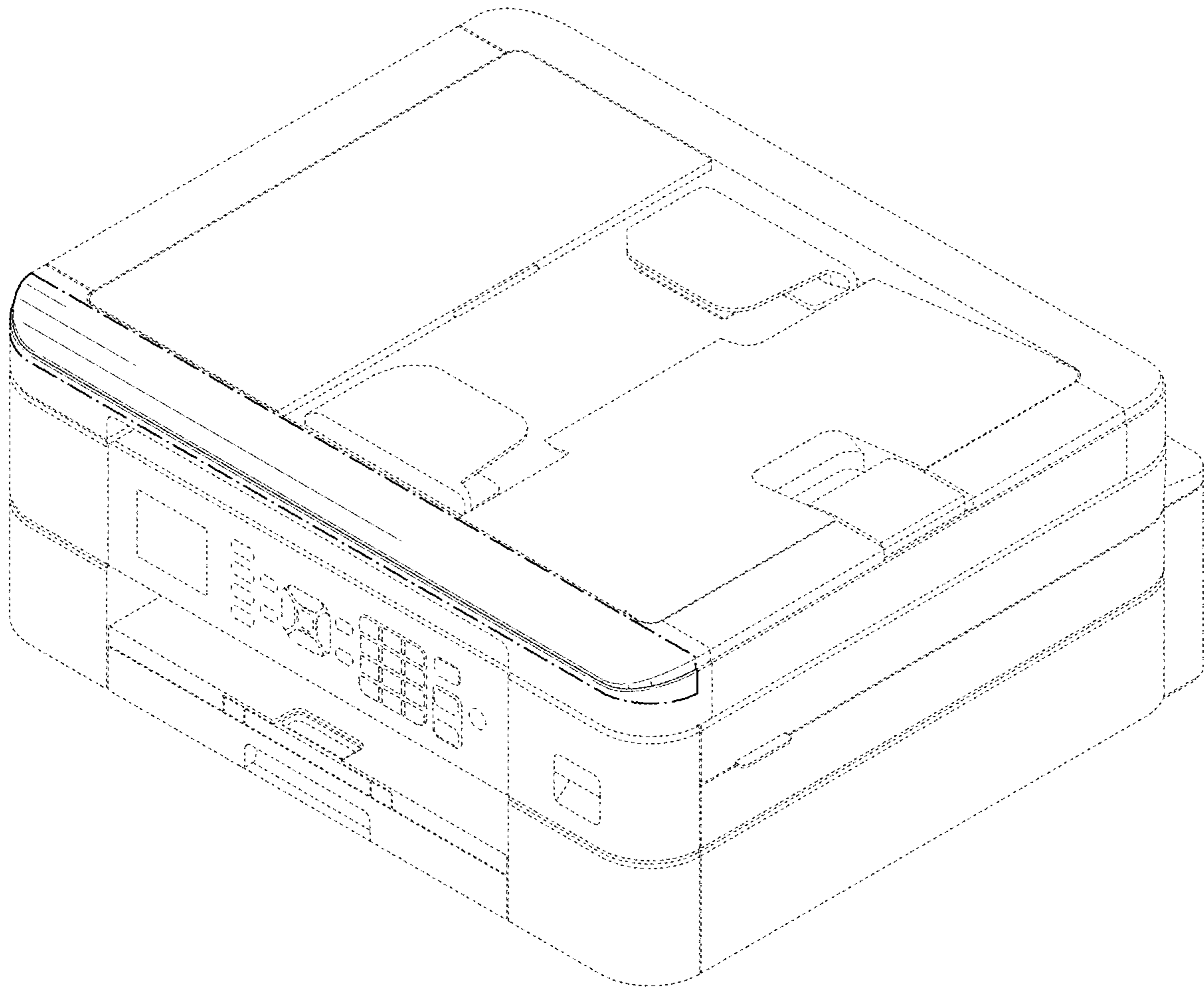


FIG. 1

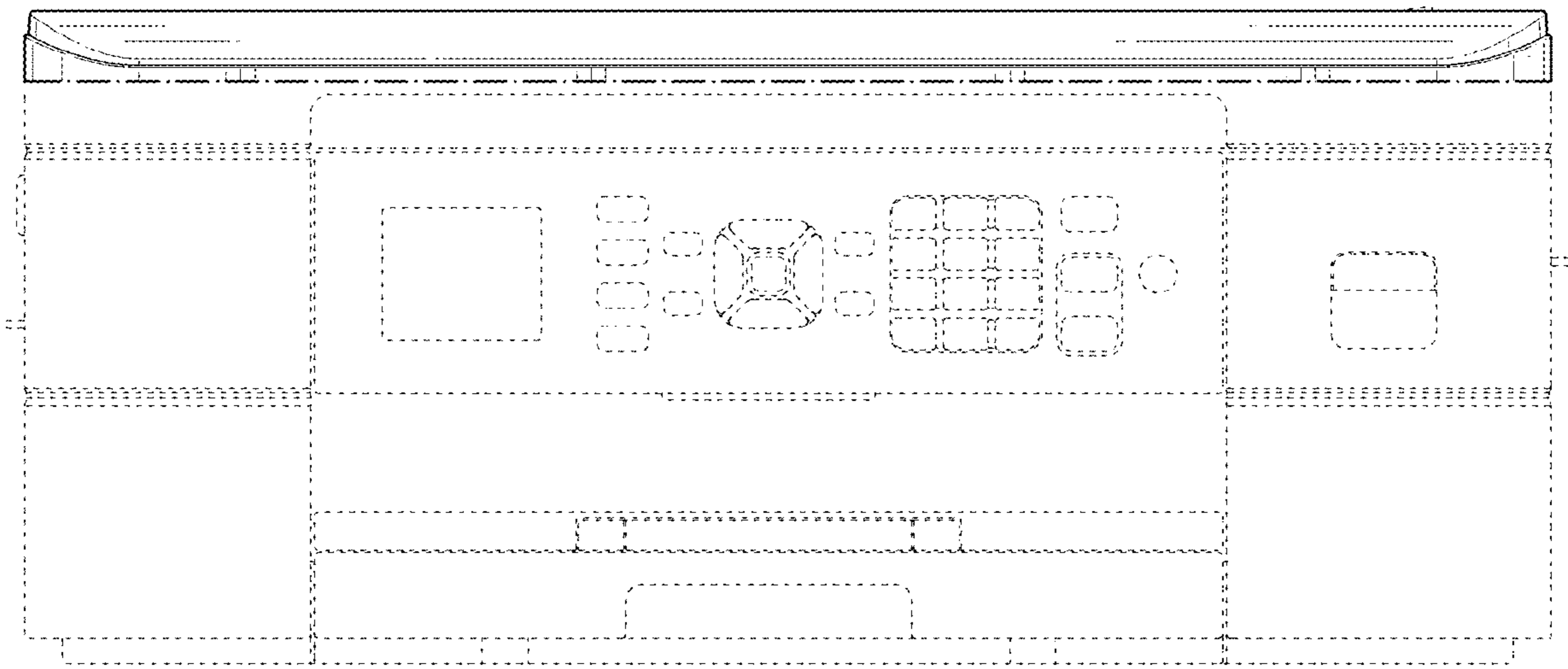


FIG. 2



FIG. 3

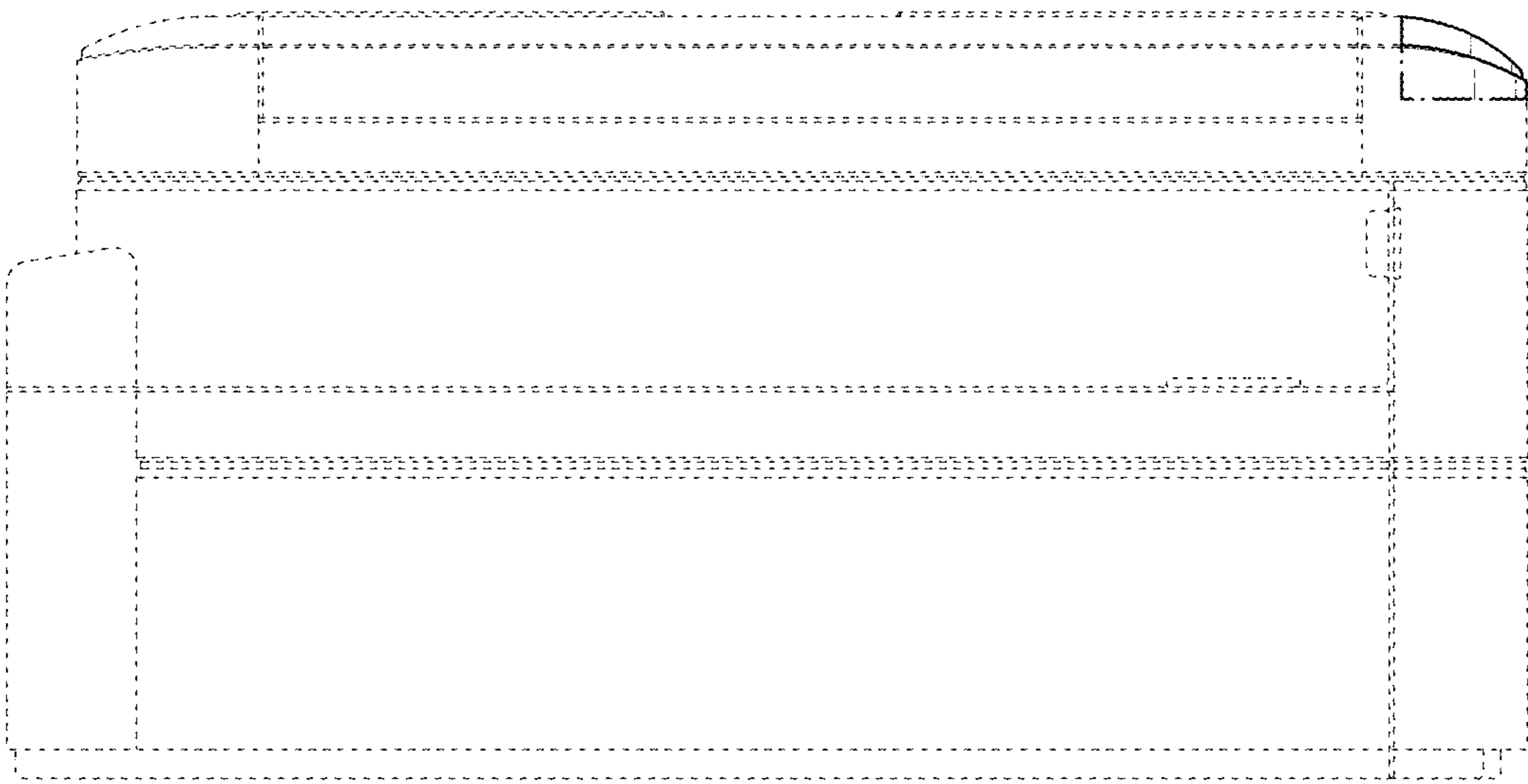


FIG. 4



FIG. 5

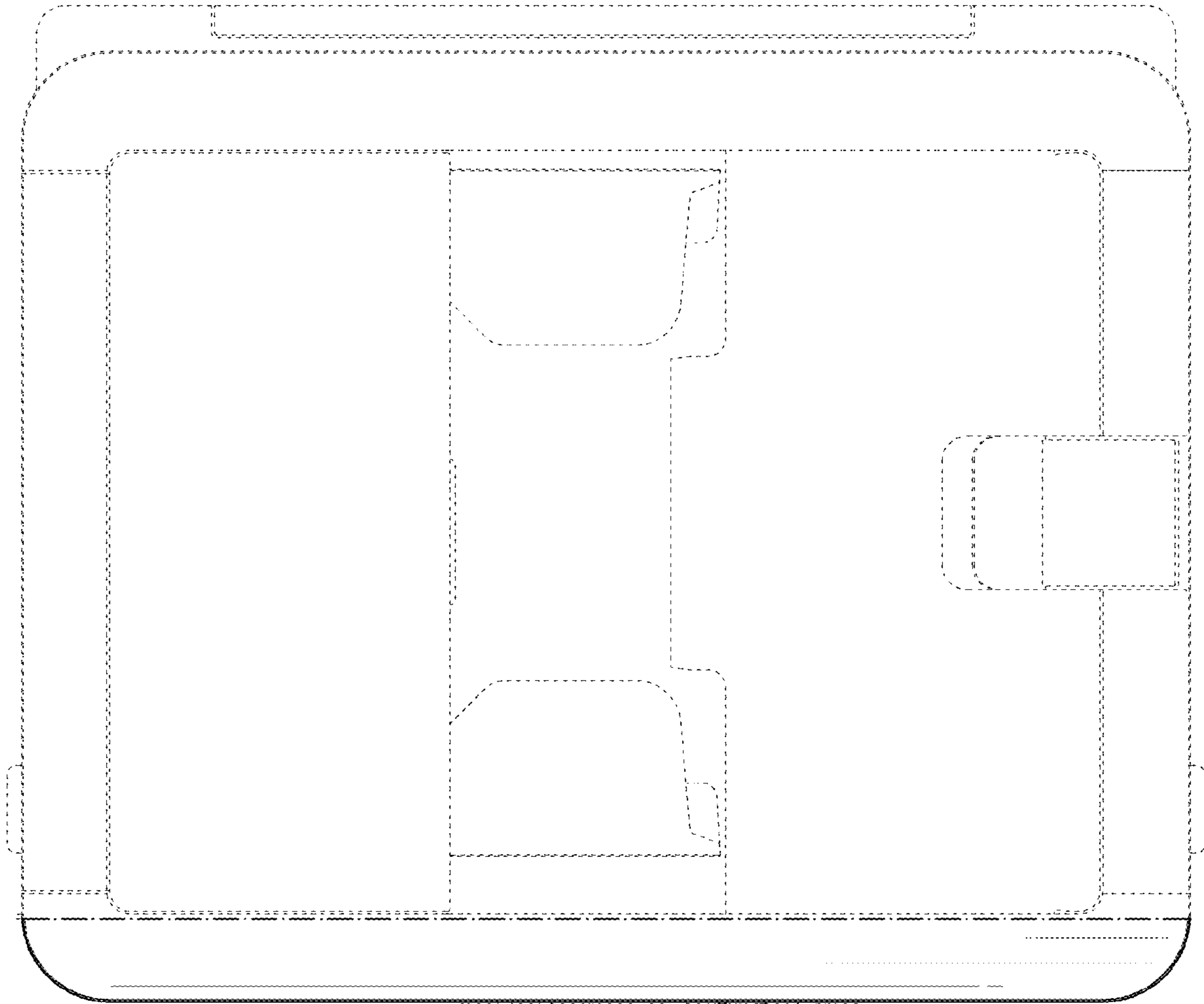


FIG. 6

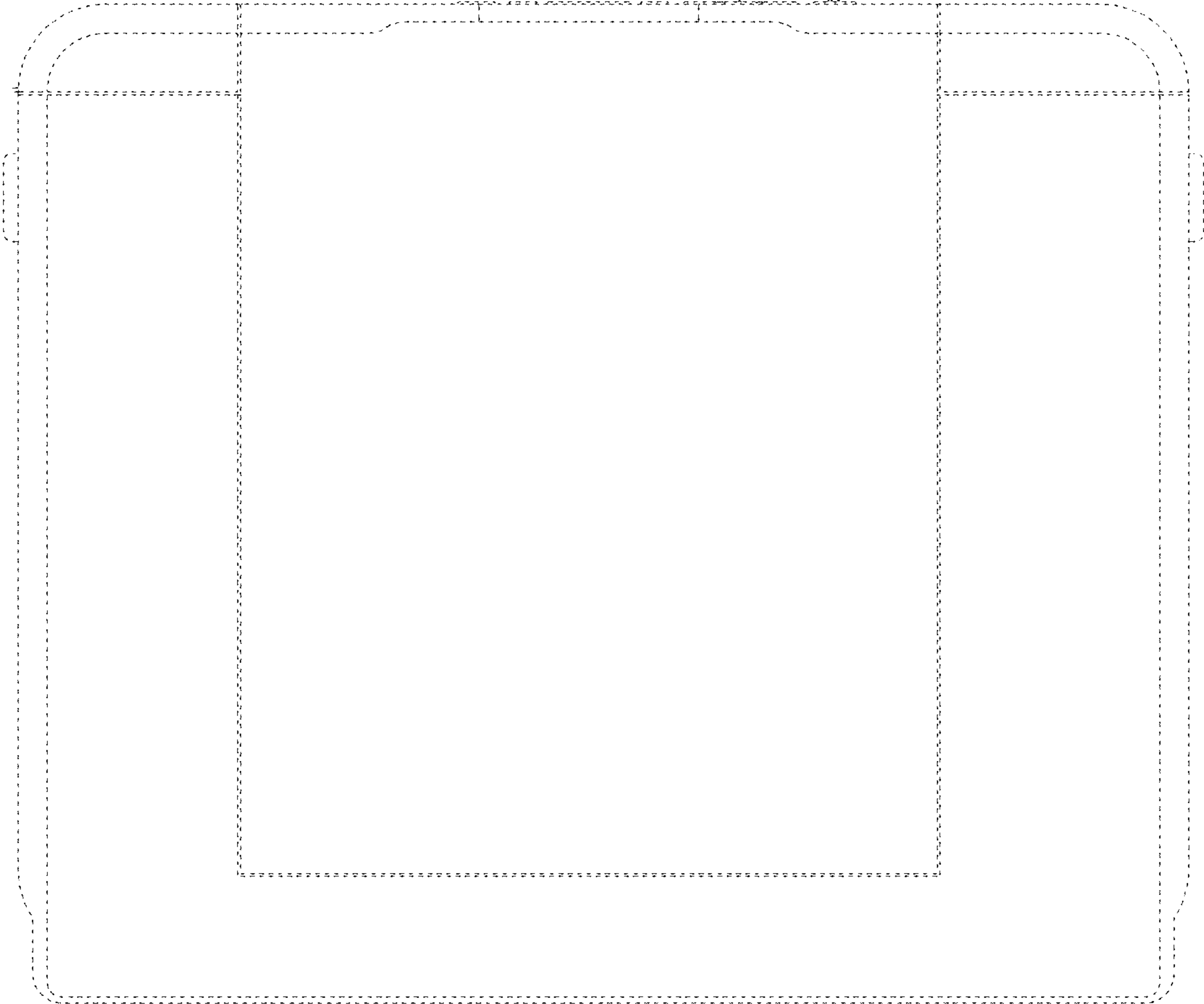


FIG. 7

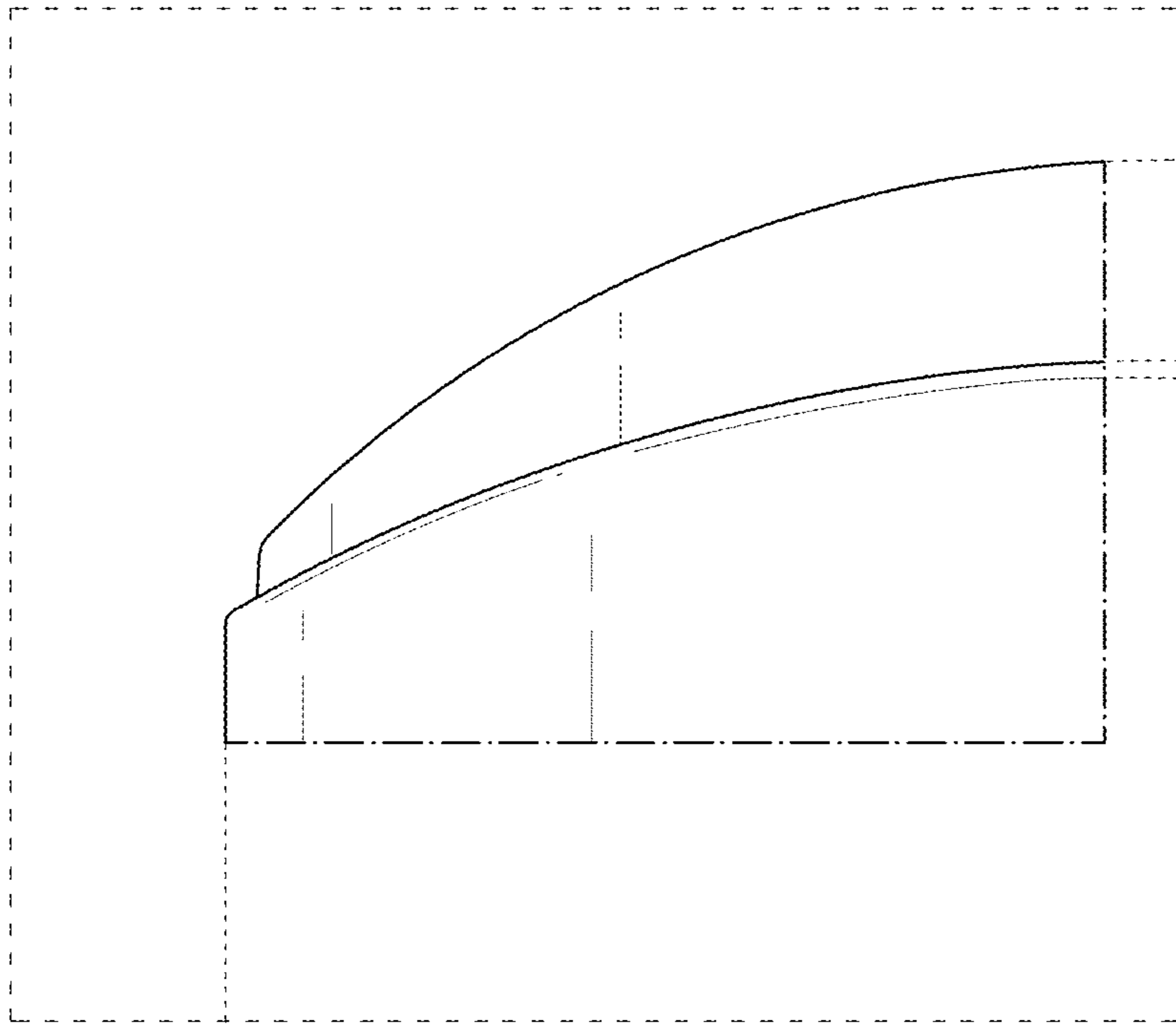


FIG. 8