



US00D958880S

(12) **United States Design Patent** (10) **Patent No.:** **US D958,880 S**
Asano (45) **Date of Patent:** **** Jul. 26, 2022**

(54) **PRINTER**

(71) Applicant: **BROTHER INDUSTRIES, LTD.**,
Nagoya (JP)

(72) Inventor: **Masahide Asano**, Nagoya (JP)

(73) Assignee: **BROTHER INDUSTRIES, LTD.**,
Nagoya (JP)

(**) Term: **15 Years**

(21) Appl. No.: **29/690,127**

(22) Filed: **May 6, 2019**

(30) **Foreign Application Priority Data**

Nov. 8, 2018 (JP) 2018-024535

(51) **LOC (13) Cl.** **14-02**

(52) **U.S. Cl.**
USPC **D18/50**

(58) **Field of Classification Search**

USPC D18/50, 53, 54, 55, 56, 59, 36, 37, 38,
D18/39, 40, 41, 45; D14/301, 307, 121

CPC H04N 1/00278; H04N 1/00204; H04N
1/00249; G06K 15/12; G06K 15/14; B41J
3/00; B41J 3/28; B41J 3/445; B41J 3/46
See application file for complete search history.

(56) **References Cited**

U.S. PATENT DOCUMENTS

D259,975 S	*	7/1981	LaBarbera	D18/54
D648,377 S	*	11/2011	Miyauchi	D18/50
D648,378 S	*	11/2011	Ishikawa	D18/50
D664,192 S	*	7/2012	Emmenegger	D18/50
D670,327 S	*	11/2012	Yamashita	D18/55
D673,211 S	*	12/2012	Oishi	D18/50
D737,895 S	*	9/2015	Nanno	D18/50
D744,028 S	*	11/2015	Odachi	D18/50
D815,194 S	*	4/2018	Villalobos	D18/50
D817,388 S	*	5/2018	Wan	D18/50

(Continued)

FOREIGN PATENT DOCUMENTS

CN 302299324 * 1/2013
CN 306003936 * 8/2020

(Continued)

OTHER PUBLICATIONS

Amazon. Link: <https://www.amazon.com/Brother-Wireless-MFC-J491DW-Multi-Function-Replenishment/dp/B07C4V4WWF>. May 13, 2018. Brother Wireless All-in-One Inkjet Printer, MFC-J491DW. (Year: 2018).*

(Continued)

Primary Examiner — Lauren D McVey

(74) *Attorney, Agent, or Firm* — Oliff PLC

(57) **CLAIM**

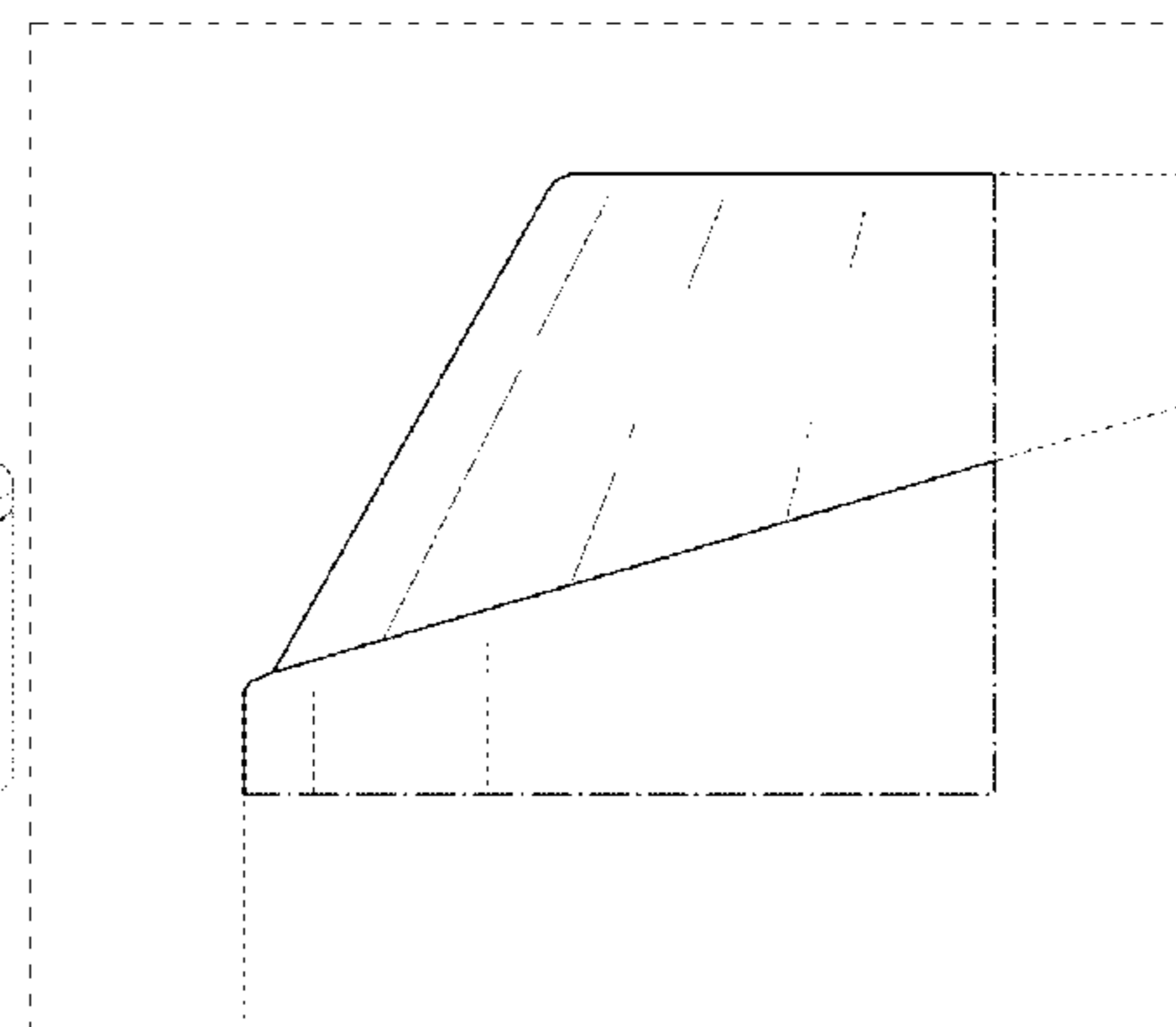
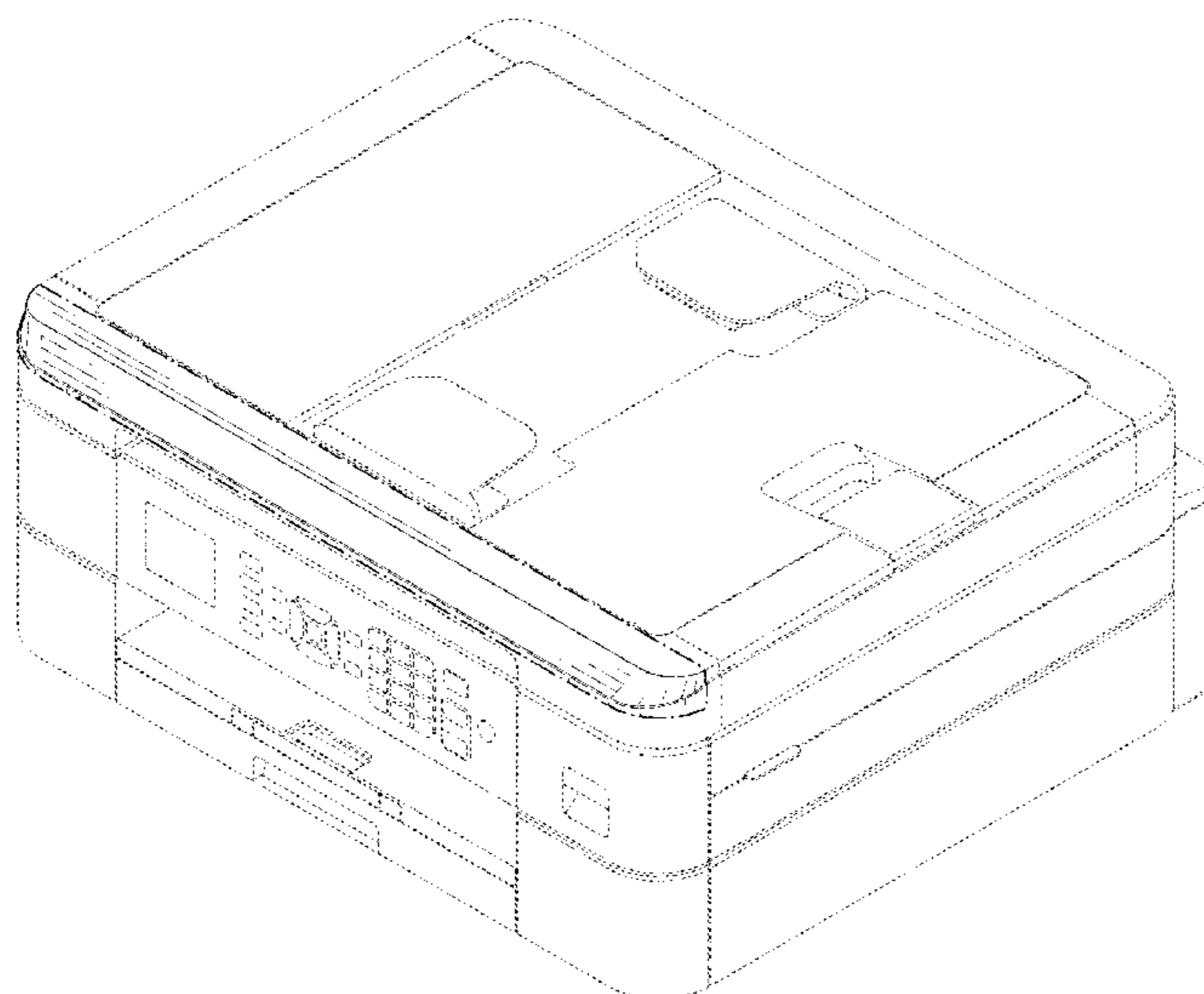
The ornamental design for a printer, as shown and described.

DESCRIPTION

FIG. 1 is a perspective view of a printer; FIG. 2 is a front elevational view thereof; FIG. 3 is a rear elevational view thereof; FIG. 4 is a left-side elevational view thereof; FIG. 5 is a right-side elevational view thereof; FIG. 6 is a top plan view thereof; FIG. 7 is a bottom plan view thereof; and, FIG. 8 is a detail view of the portion encircled as “8” in FIG. 5.

The evenly close-spaced broken lines depict unclaimed parts of the printer and form no part of the claimed design. The evenly wide-spaced broken lines in FIG. 5 indicate a detail view for FIG. 8 and form no part of the claimed design. The dot-dash chain lines depict a boundary of the claimed subject matter and form no part of the claimed design.

1 Claim, 8 Drawing Sheets



(56)

References Cited

U.S. PATENT DOCUMENTS

D822,759 S * 7/2018 Yamamoto D18/50
D893,599 S * 8/2020 Richtsmeier D18/50
D923,701 S * 6/2021 Lim D18/50

FOREIGN PATENT DOCUMENTS

CN 306255987 * 12/2020
JP D1481590 * 4/2016
JP D1566380 * 12/2019
JP D1633760 * 2/2022

OTHER PUBLICATIONS

Amazon. Link: https://www.amazon.com/Brother-MFC-J1205W-Inkvestment-Wireless-Multi-Function/dp/B092YXNZT6/ref=sr_1_2?crd=25LFSUAFD599J&keywords=B092YXNZT6&qid=1646912581&s=office-products&sprefix=b092yxnz6%2Coffice-products%2C59&sr=1-2. Jun. 17, 2021. Brother MFC-J1205W InkvestmentTank. (Year: 2021).*

Amazon. Link: https://www.amazon.com/Brother-MFC-J460DW-Wireless-Automatic-Replenishment/dp/B015ACX13U/ref=sr_1_1?crd=K5JQXNZTWOGX&keywords=B015ACX13U&qid=1646943173&s=electronics&sprefix=b015acx13u%2Celectronics%2C69&sr=1-1. Dec. 1, 2015. Brother MFC-J460DW, All-in-One Color Inkjet Printer. (Year: 2015).*

Amazon. Link: https://www.amazon.com/Premium-Canon-Inkjet-Printer-Resolution/dp/B09B7GGLCK/ref=psdc_172646_t4_B09D7Z6JVM. Jul. 26, 2021. Premium Canon PIXMA 2522 Series All-in-One Color Inkjet Printer. (Year: 2021).*

* cited by examiner

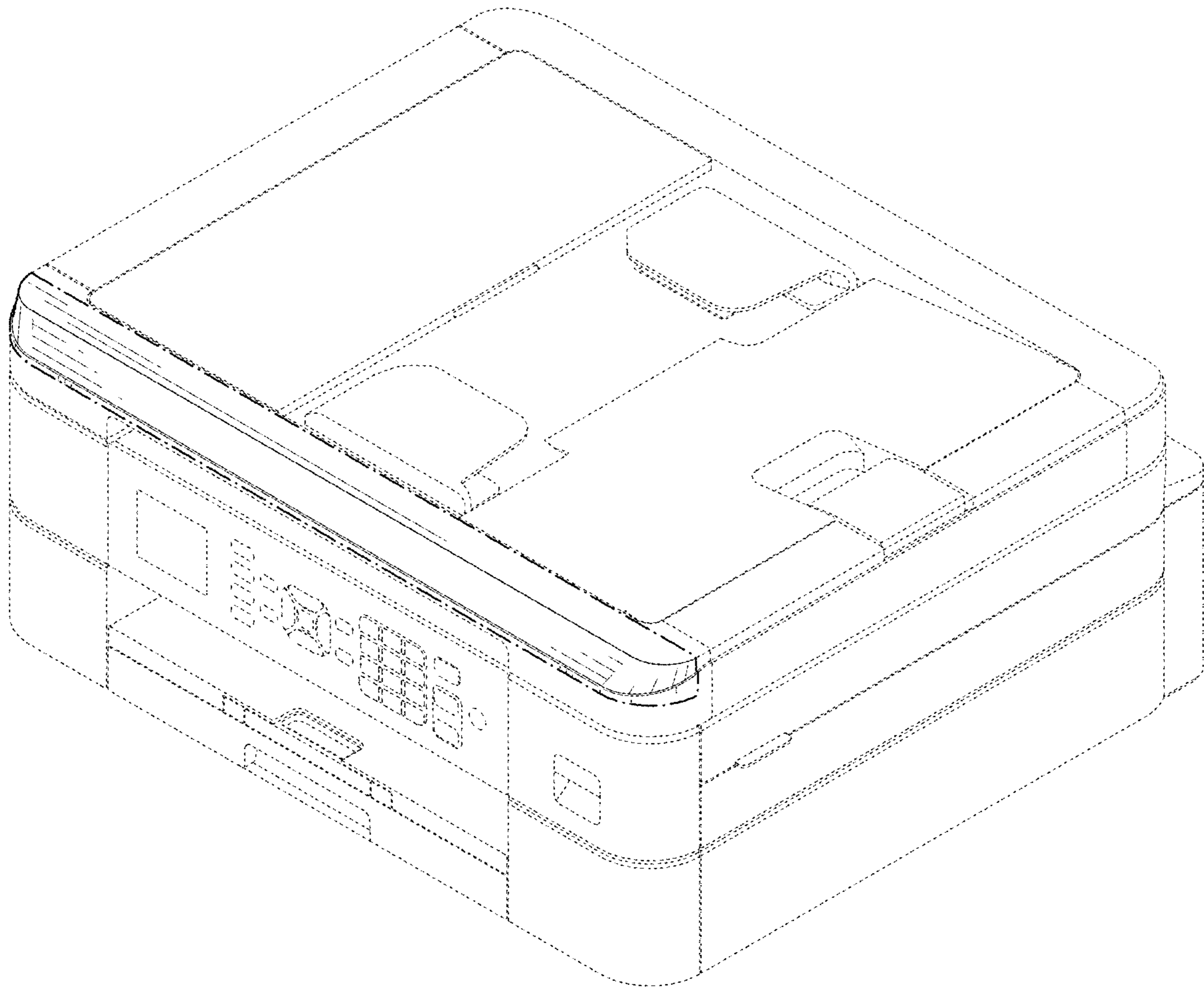


FIG. 1

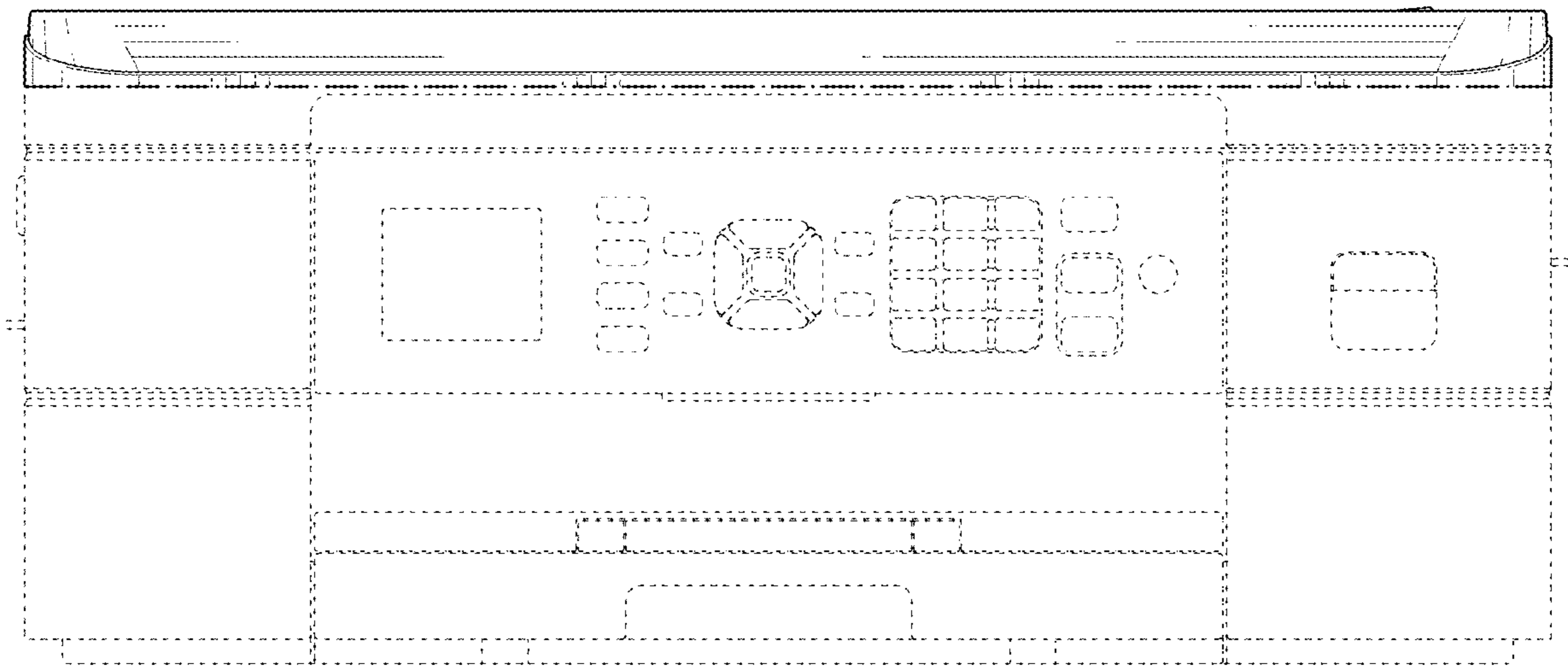


FIG. 2



FIG. 3



FIG. 4



FIG. 5

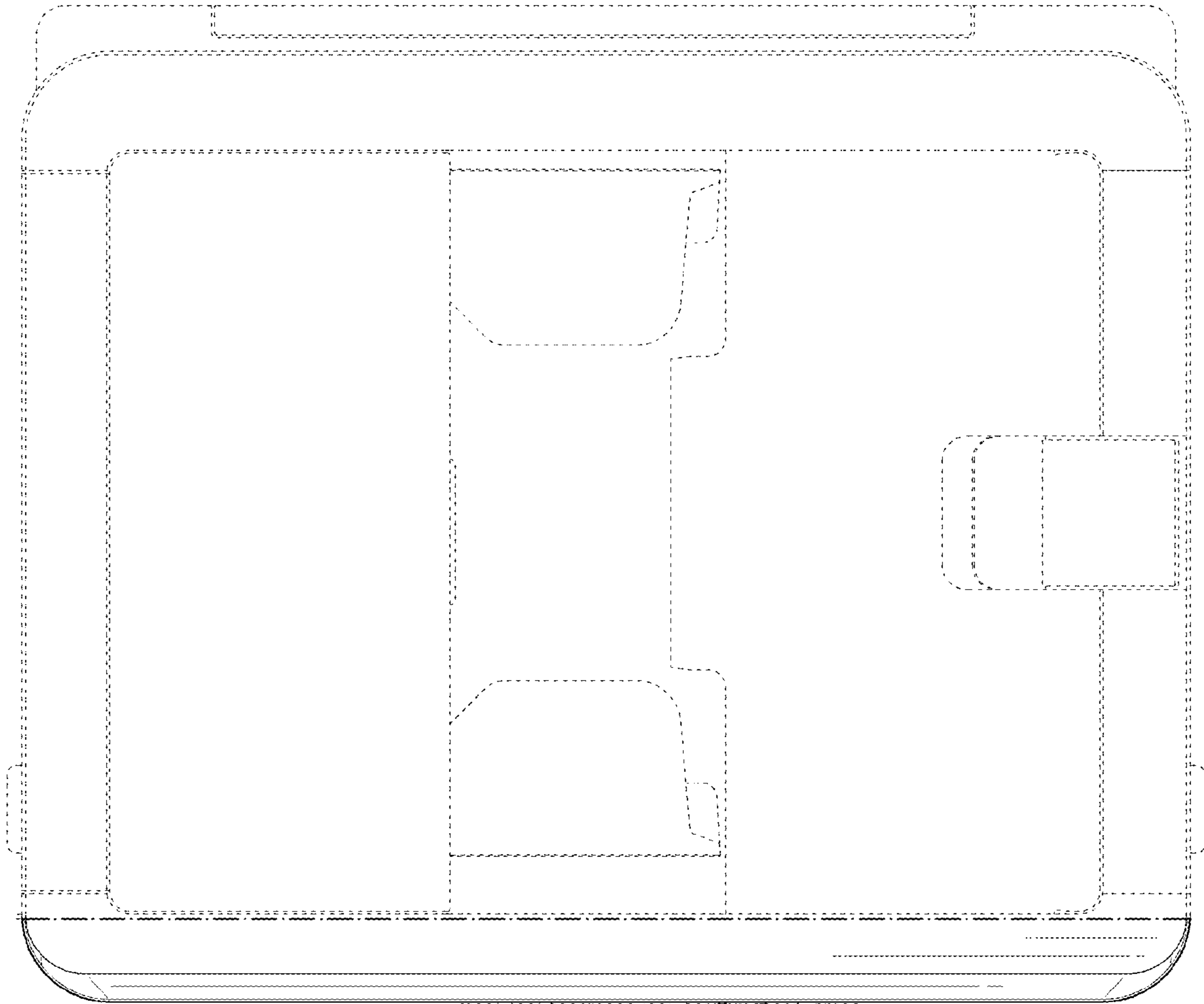


FIG. 6

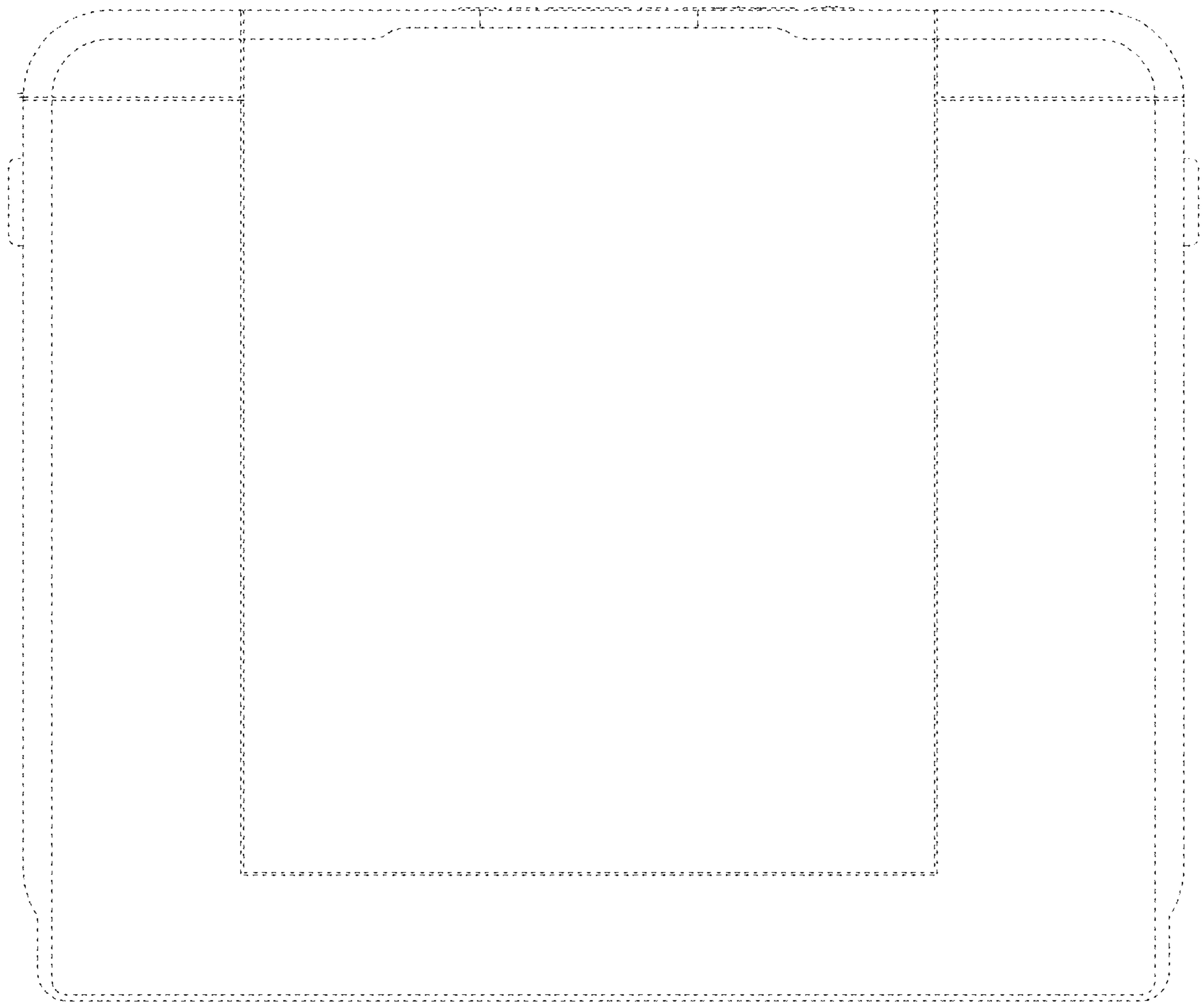


FIG. 7

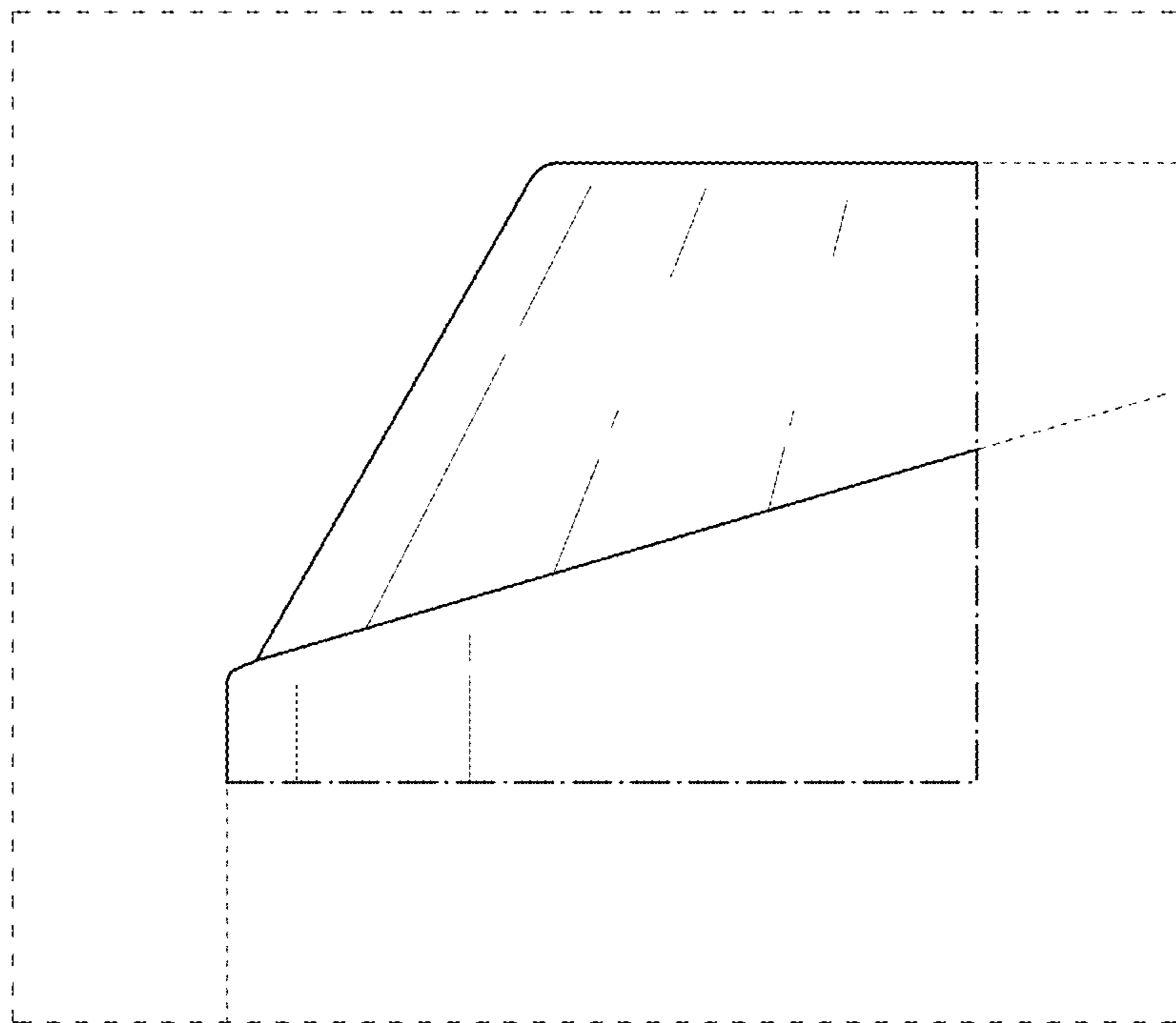


FIG. 8