



US00D958879S

(12) **United States Design Patent** (10) **Patent No.:** **US D958,879 S**
Fan (45) **Date of Patent:** **** Jul. 26, 2022**

(54) **HOLDER FOR ROLLER PAPER CUTTER**

(71) Applicant: **JIUNCHEN TECHNOLOGY CO., LTD.**, New Taipei (TW)

(72) Inventor: **Shi-Chen Fan**, New Taipei (TW)

(73) Assignee: **JIUNCHEN TECHNOLOGY CO., LTD.**, New Taipei (TW)

(**) Term: **15 Years**

(21) Appl. No.: **29/725,762**

(22) Filed: **Feb. 27, 2020**

(51) **LOC (13) Cl.** **18-04**

(52) **U.S. Cl.**
USPC **D18/34.9**

(58) **Field of Classification Search**
USPC D18/34.1, 34.2, 34.3, 34.4, 34.5, 34.6,
D18/34.7, 34.8, 34.9; D8/51, 98;
D15/127

CPC B26D 2007/005; B26D 2007/0087; B26D
2001/0053; B26D 1/025; B26D 1/035;
B26D 1/045; B26D 1/065; B26D 1/08;
B26D 1/085; B26D 1/10; B26D 1/105;
B26D 1/125; B26D 1/147; B26D 1/1475;
B26D 1/15; B26D 5/083; B26D 7/22;
B26D 1/151; B26D 1/153; B26D 1/1535;
B26D 1/185; B26D 1/305; B26D 1/34;
B26D 1/345; B26D 1/36; B26D 1/365;
B26D 1/38; B26D 1/385; B26D 7/015;
B26D 7/025; B26D 7/00; B26D 1/0006;
B26D 5/16; B26D 7/2614; B26D 7/2628;
B26D 1/00; B26D 1/626; B23D 35/008;
Y10T 83/7763; Y10T 83/8822; Y10T
83/885; Y10T 83/8851; Y10T 83/7507;
Y10T 83/8874; Y10T 83/8814; Y10T
83/9493; Y10T 83/7533; Y10T 83/8821;
Y10T

(Continued)

(56) **References Cited**

U.S. PATENT DOCUMENTS

3,380,328 A * 4/1968 Martin B26D 1/385
83/156
4,020,724 A * 5/1977 Quinlan B26D 7/2628
83/346

(Continued)

FOREIGN PATENT DOCUMENTS

CN 112497847 A * 3/2021 B26D 5/083
GB 1219717 A * 1/1971 B02C 18/142
SE 527556 C2 * 4/2006 B26D 7/20

OTHER PUBLICATIONS

YouTube. Link: <https://www.youtube.com/watch?v=Llt7wTQny-w>
Aug. 31, 2012. CreaseStream Mini—How to use. (Year: 2012).*

(Continued)

Primary Examiner — Lauren D McVey
(74) *Attorney, Agent, or Firm* — WPAT, PC

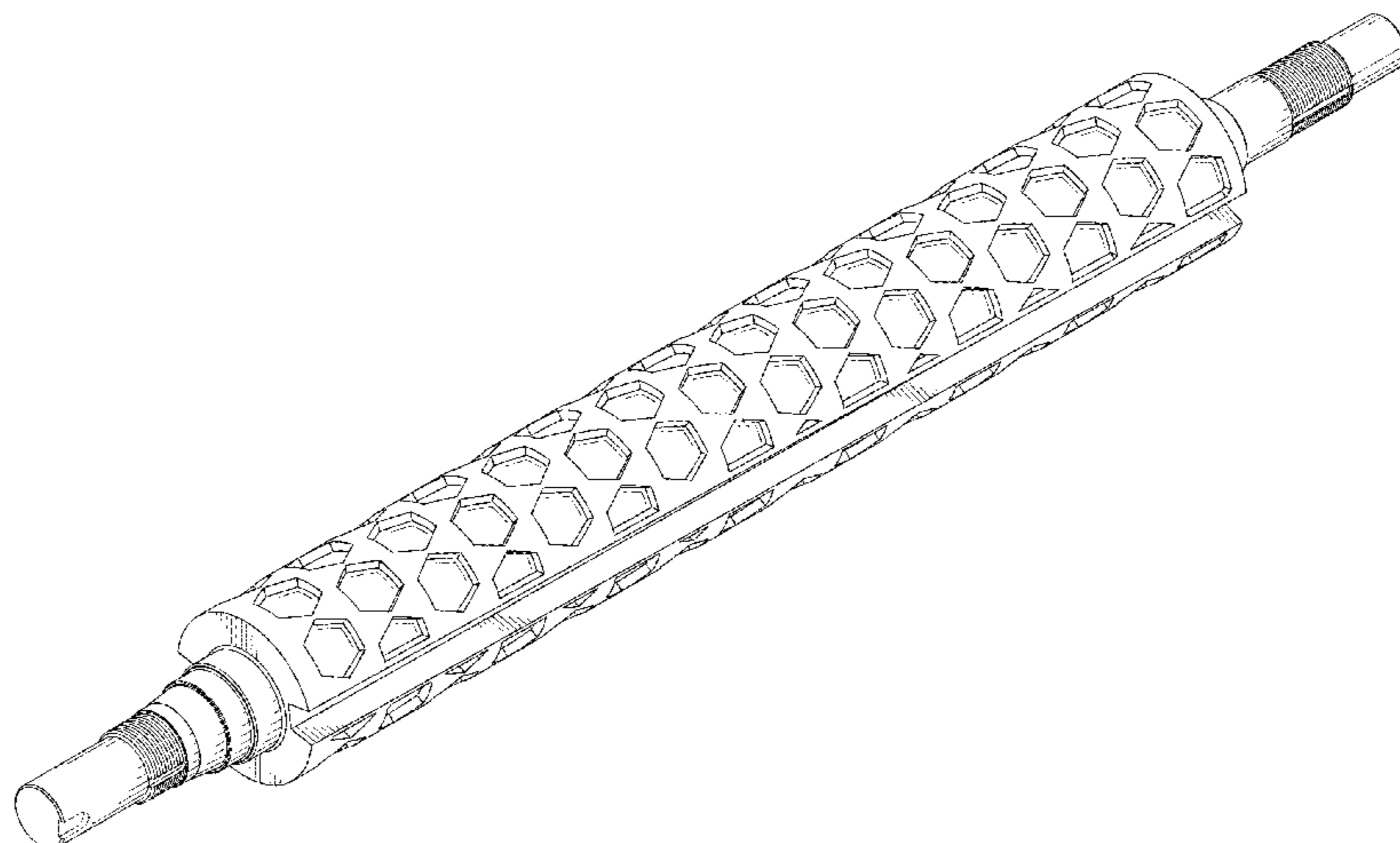
(57) **CLAIM**

The ornamental design for a holder for roller paper cutter, as shown and described.

DESCRIPTION

FIG. 1 is a perspective view of a holder for roller paper cutter showing my new design;
FIG. 2 is a front elevation view thereof;
FIG. 3 is a rear elevation view thereof;
FIG. 4 is a left side elevation view thereof;
FIG. 5 is a right side elevation view thereof;
FIG. 6 is a top plan view thereof;
FIG. 7 is a bottom plan view thereof;
FIG. 8 is an enlarged view of FIG. 4; and,
FIG. 9 is an enlarged view of FIG. 5.
The broken lines immediately adjacent to the shaded areas depict the bounds of the claimed design, while all other

(Continued)



broken lines are directed to environment. The broken lines form no part of the claimed design.

1 Claim, 9 Drawing Sheets

(58) Field of Classification Search

CPC . 83/828; Y10T 83/872; Y10T 83/8841; Y10T 83/4827; Y10T 83/9394; Y10S 83/955
See application file for complete search history.

(56)

References Cited

U.S. PATENT DOCUMENTS

4,493,235 A * 1/1985 Martin B26D 1/626
83/345
4,617,709 A * 10/1986 Gundlach B02C 4/305
241/293
D305,295 S * 1/1990 Momany D8/98
6,742,427 B2 * 6/2004 Buta B23D 25/12
83/342
7,296,763 B2 * 11/2007 Bliss B02C 4/30
241/293
7,300,231 B1 * 11/2007 Liu B23C 5/2278
407/77

9,205,984 B2 * 12/2015 Moon B65G 15/60
10,807,263 B2 * 10/2020 Busch B26D 1/0006
D915,507 S * 4/2021 Cran D18/34.9
11,077,445 B2 * 8/2021 Zebroski B02C 4/30
D950,641 S * 5/2022 Fan D18/34.9
2011/0067374 A1 * 3/2011 James A01F 15/106
492/30
2018/0199511 A1 * 7/2018 Horning, Jr. A01D 82/00

OTHER PUBLICATIONS

Amazon. Link: <https://www.amazon.com/Mounted-Kraft-Holder-Dispenser-Cutter/dp/B07BVLZV7N>. Apr. 2, 2018. Wall Mounted Kraft Paper Roll Holder & Cutter. (Year: 2018).*

EBay. Link: <https://www.ebay.com/itm/262722931937?chn>. Visited Feb. 25, 2022. Manual Beeswax Foundation Mill Rollers, Honeycombs Production, Bee Wax Equipment. (Year: 2022).*

Etsy. Link: https://www.etsy.com/listing/839411560/clay-texture-roller-pottery-hand-roller?click_key=fb9730cbae32e05383e914bc6519337a8c7afb23%3A839411560&click_sum=f04dea4f&ga_search_query=roller&ref=shop_items_search_26&crt=1. Visited Feb. 15, 2022. SanbaoStudio Clay Texture Roller Pottery Hand Roller. (Year: 2022).*

* cited by examiner

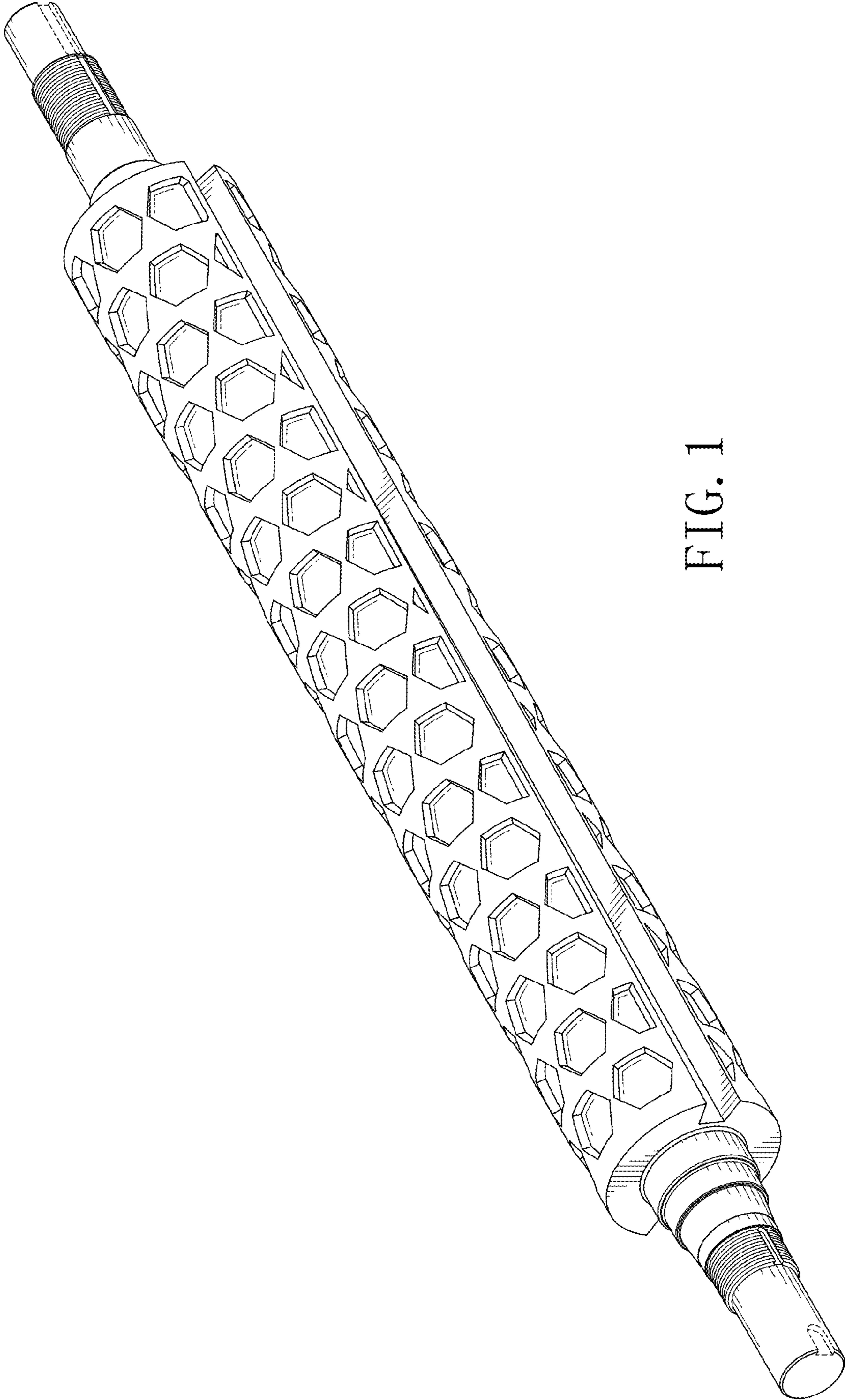


FIG. 1

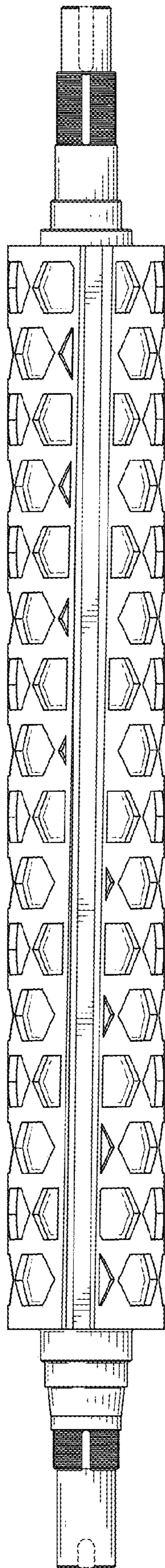


FIG. 2

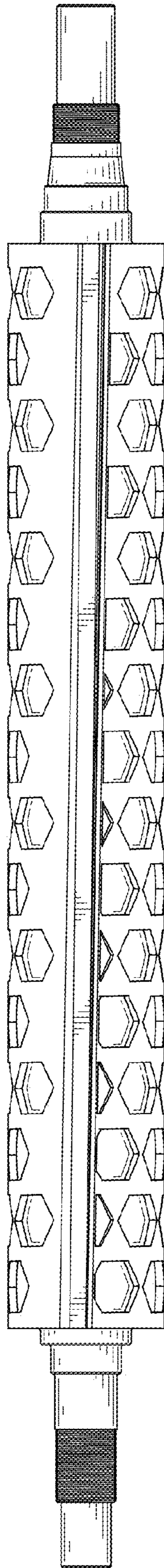


FIG. 3

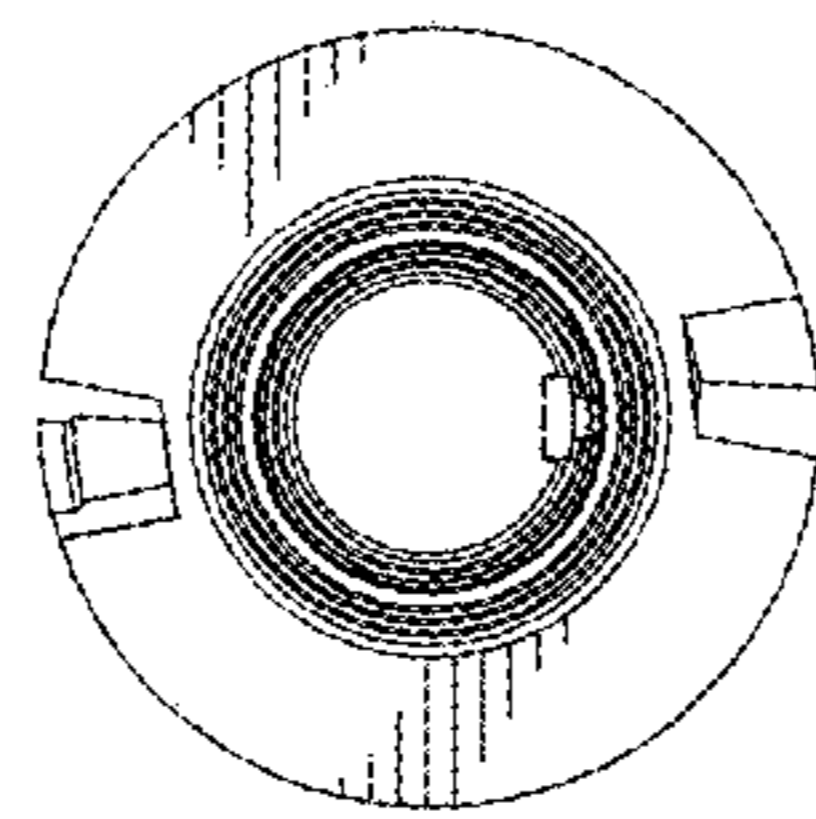


FIG. 4

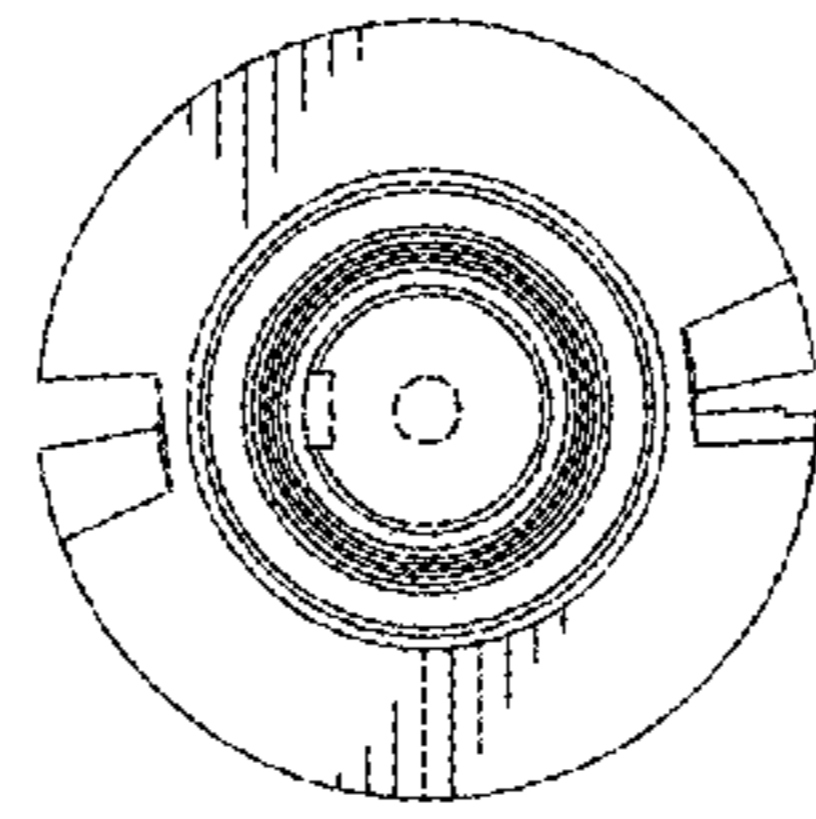


FIG. 5

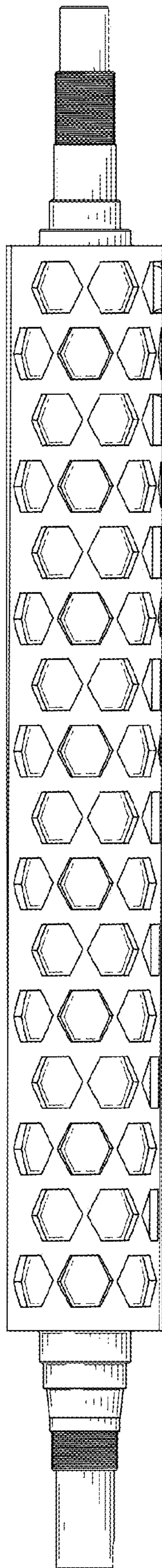


FIG. 6

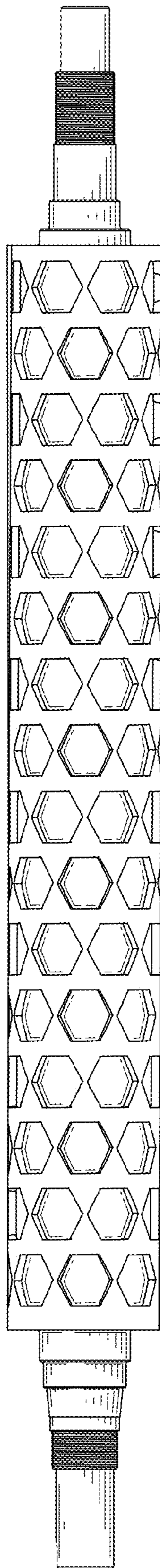


FIG. 7

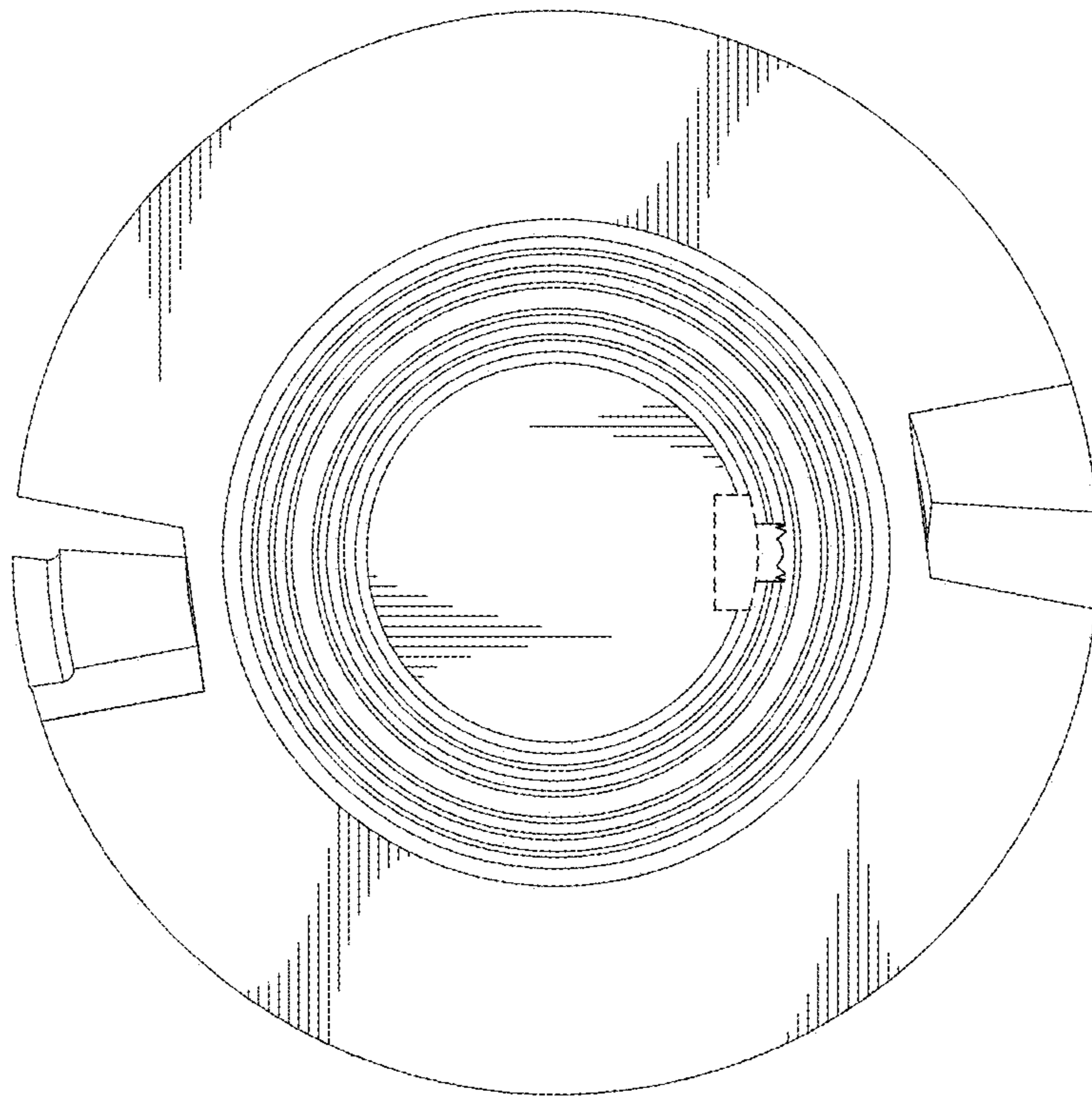


FIG. 8

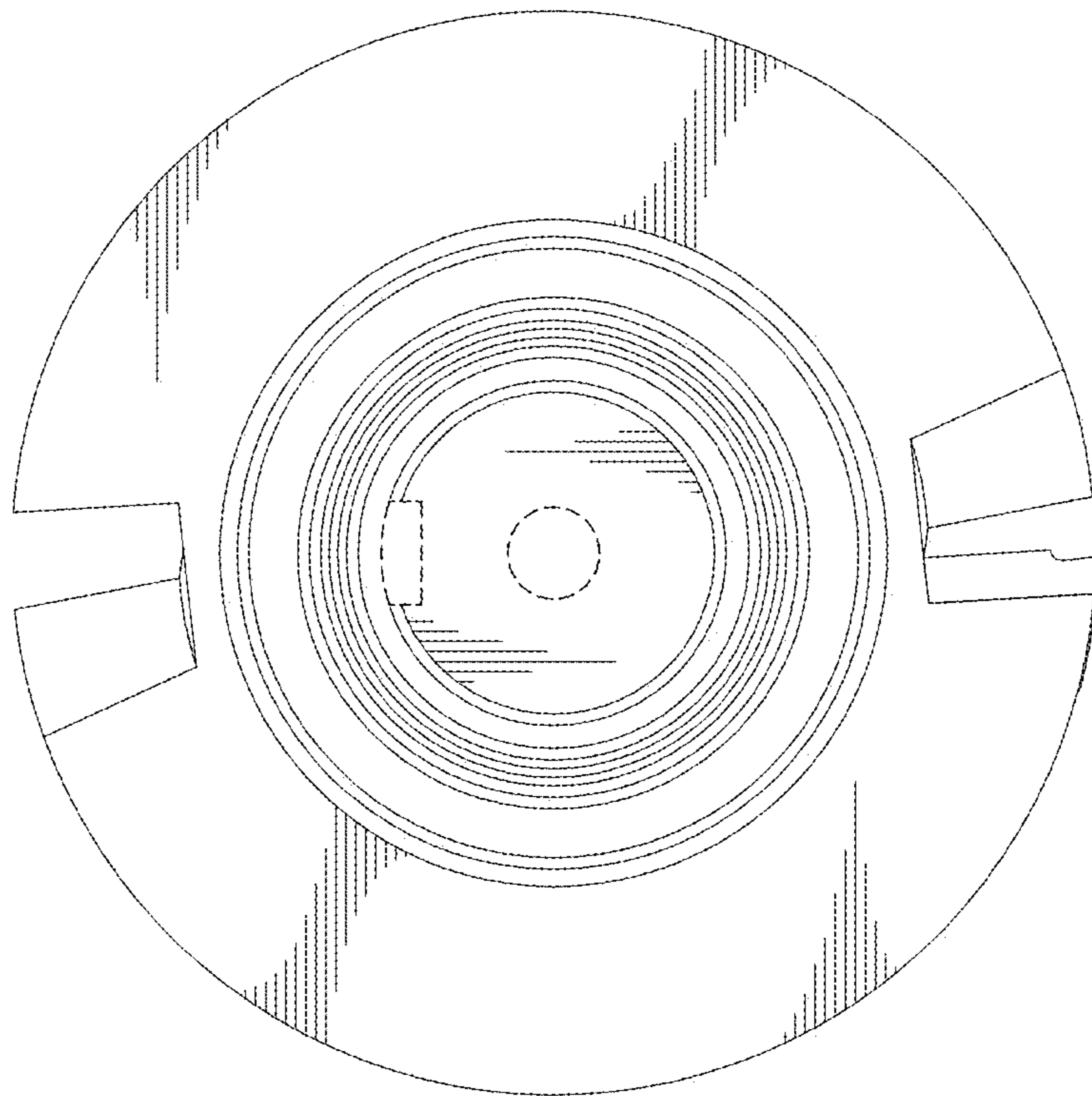


FIG. 9