



US00D958872S

(12) **United States Design Patent**  
**Deng et al.**

(10) **Patent No.:** **US D958,872 S**

(45) **Date of Patent:** **\*\* Jul. 26, 2022**

(54) **PEDALBOARD FOR EFFECTS UNIT**

(71) Applicant: **Guangzhou Rantion Technology Co., Ltd**, Guangzhou (CN)

(72) Inventors: **Kevin Deng**, Guangzhou (CN); **Rock Li**, Guangzhou (CN); **Ivan Chen**, Guangzhou (CN); **Mingpei Lei**, Guangzhou (CN); **Guowei Fang**, Guangzhou (CN)

(73) Assignee: **GUANGZHOU RANTION TECHNOLOGY CO., LTD.**, Guangzhou (CN)

(\*\*) Term: **15 Years**

(21) Appl. No.: **29/738,713**

(22) Filed: **Jun. 19, 2020**

(51) **LOC (13) Cl.** ..... **17-03**

(52) **U.S. Cl.**  
USPC ..... **D17/20**

(58) **Field of Classification Search**  
USPC ..... D17/20, 99; D13/162, 163, 167  
CPC .. G10D 13/11; G10D 99/00; G10H 2210/231;  
G10H 2210/265; G10H 1/02; A47C 16/02  
See application file for complete search history.

(56) **References Cited**

**U.S. PATENT DOCUMENTS**

6,538,185 B1 \* 3/2003 Stratton ..... G10H 1/348  
84/444  
D781,954 S \* 3/2017 Wilfer ..... D17/20

D819,120 S \* 5/2018 Wilfer ..... D17/20  
D819,726 S \* 6/2018 Belitz ..... D17/20  
D832,334 S \* 10/2018 Kushner ..... D17/20  
D846,527 S \* 4/2019 Lamb ..... D13/164  
D847,898 S \* 5/2019 Kushner ..... D17/20  
D862,577 S \* 10/2019 Lackner ..... D17/20  
D862,579 S \* 10/2019 Lackner ..... D17/20  
D862,580 S \* 10/2019 Lackner ..... D17/20  
D926,872 S \* 8/2021 Camelo Navarro ..... D17/20  
2020/0372880 A1 \* 11/2020 Stanley ..... G10H 1/348  
2020/0388260 A1 \* 12/2020 Chickneas ..... H04H 60/04

**FOREIGN PATENT DOCUMENTS**

CA 3001035 A1 \* 10/2018 ..... G10H 1/348

\* cited by examiner

*Primary Examiner* — R. Johnson

(57) **CLAIM**

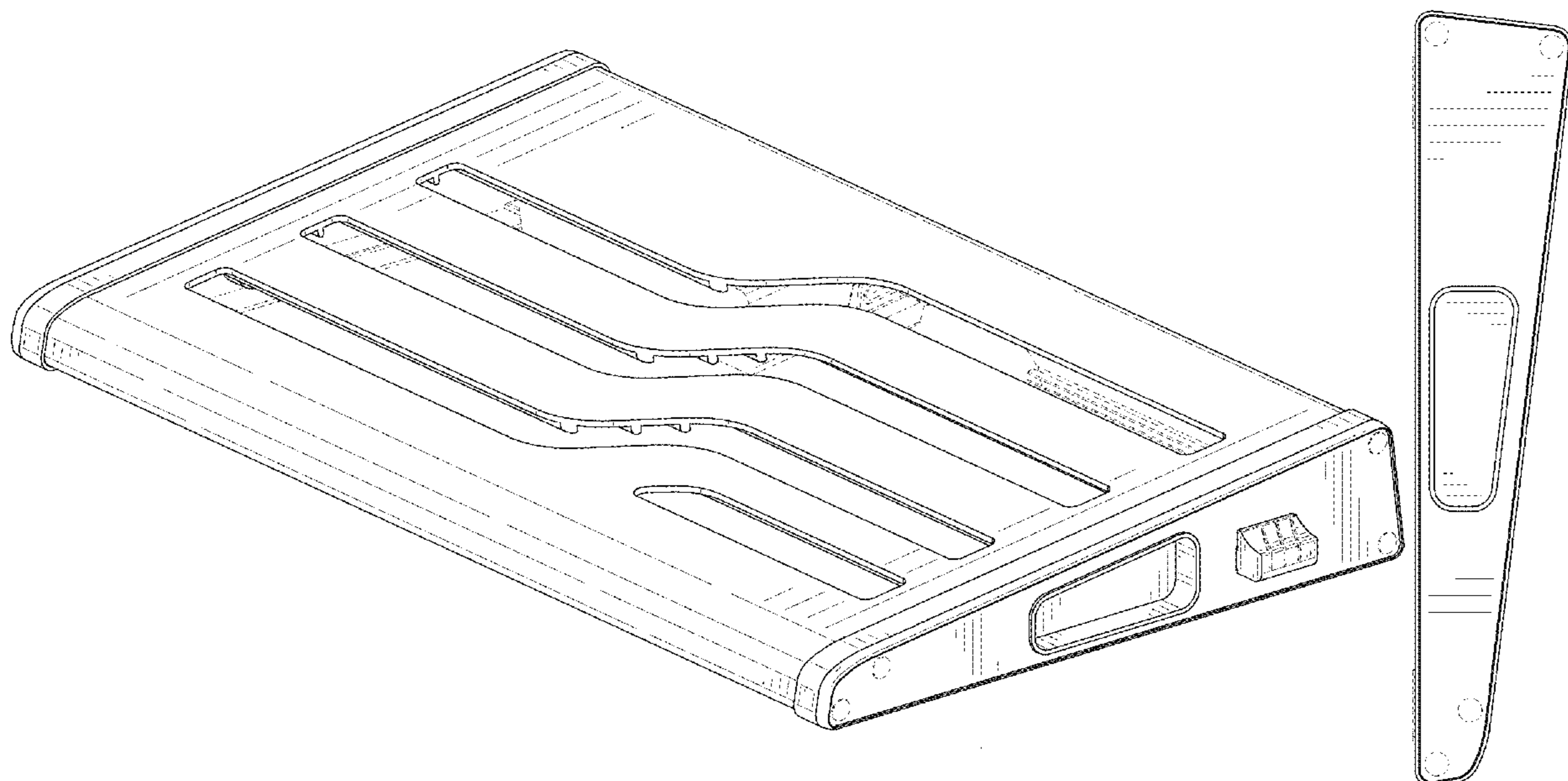
The ornamental design for a pedalboard for effects unit, as shown and described.

**DESCRIPTION**

FIG. 1 is a front and top perspective view of a pedalboard for effects unit, showing our new design; FIG. 2 is a front elevational view thereof; FIG. 3 is a rear elevational view thereof; FIG. 4 is a left side elevational view thereof; FIG. 5 is a right side elevational view thereof; FIG. 6 is a top plan view thereof; and, FIG. 7 is a bottom plan view thereof.

The broken lines in the figures illustrate portions of the article that form no part of the claimed design.

**1 Claim, 7 Drawing Sheets**



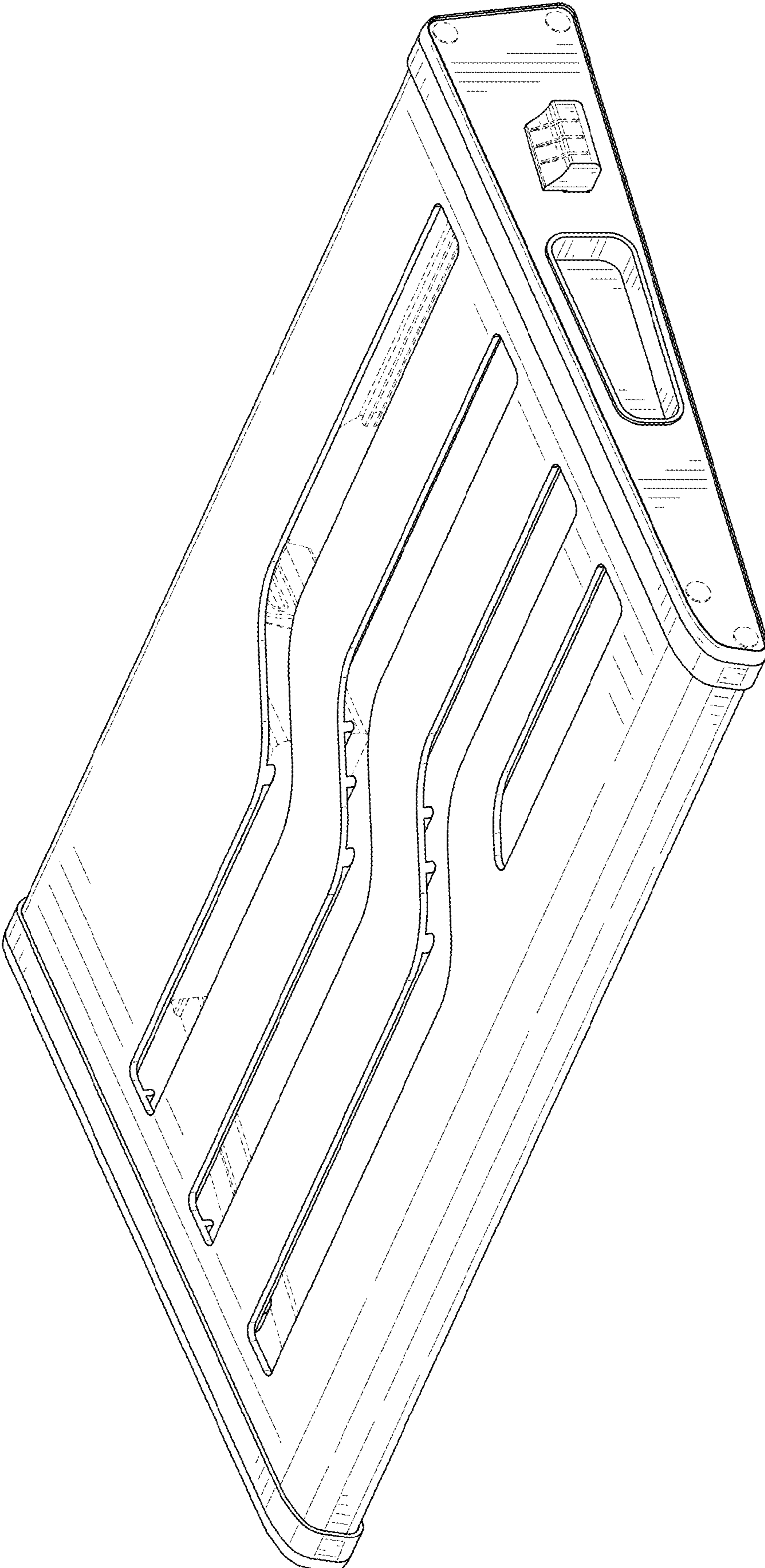


FIG. 1

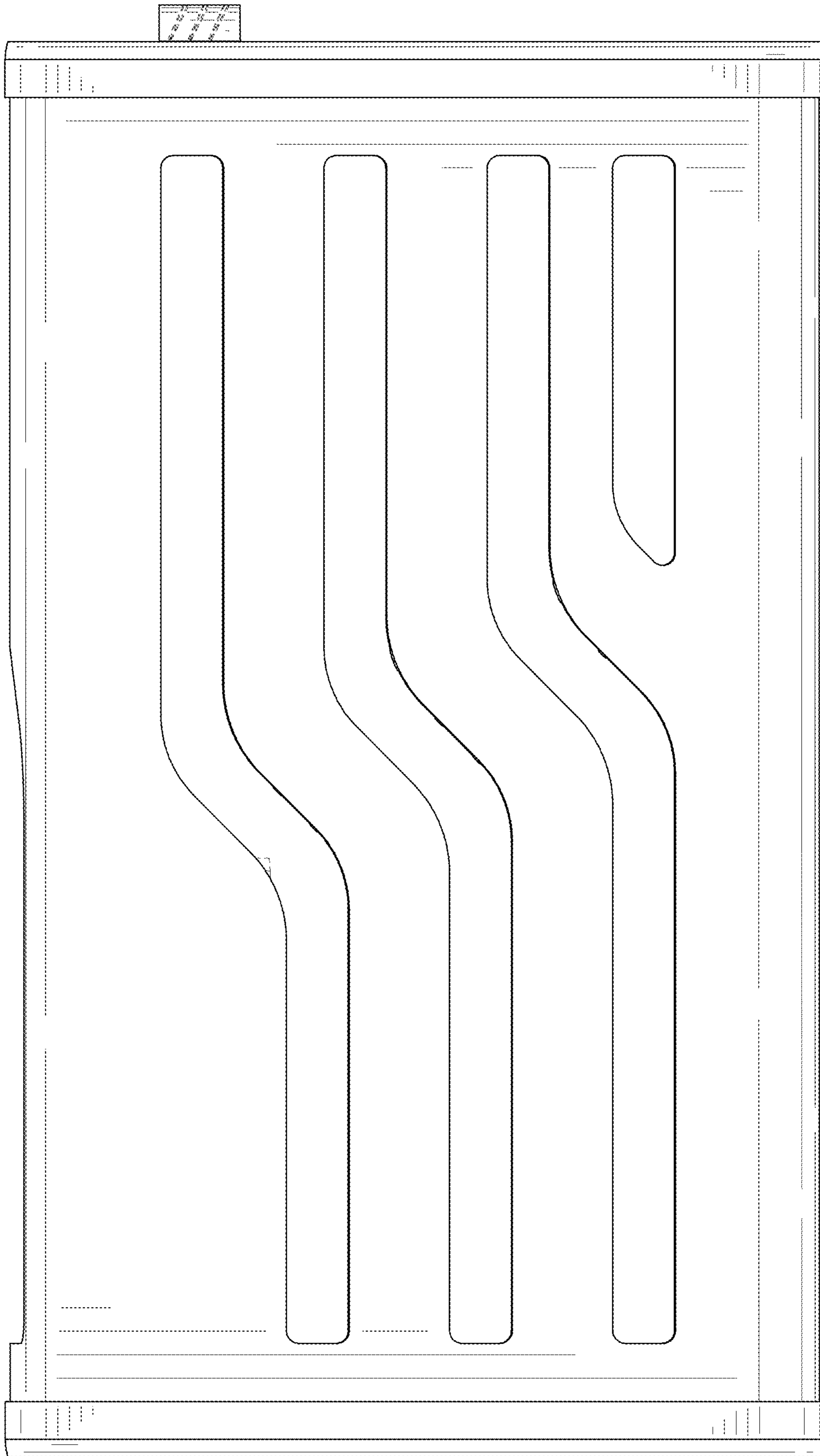


FIG. 2

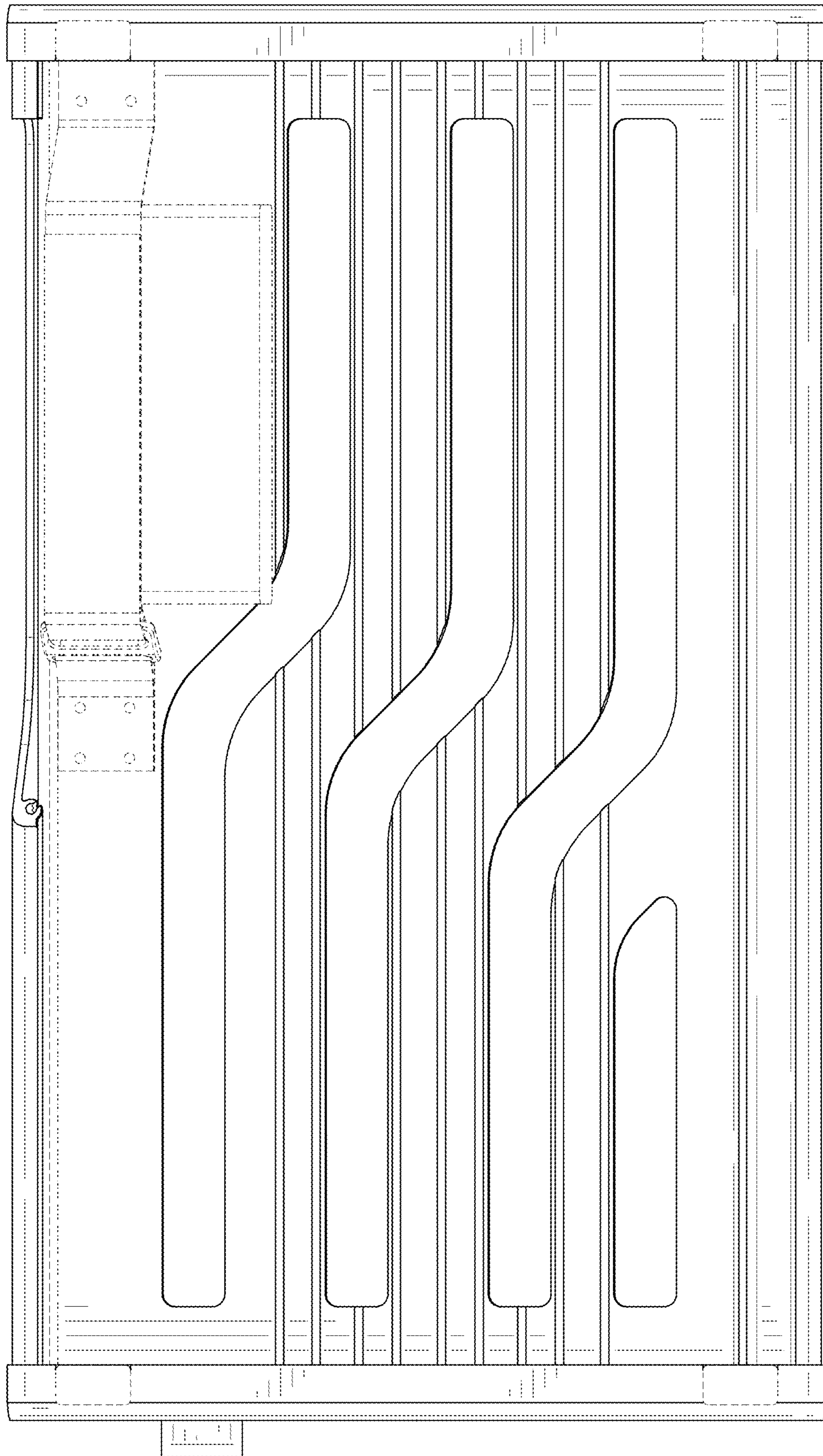


FIG. 3

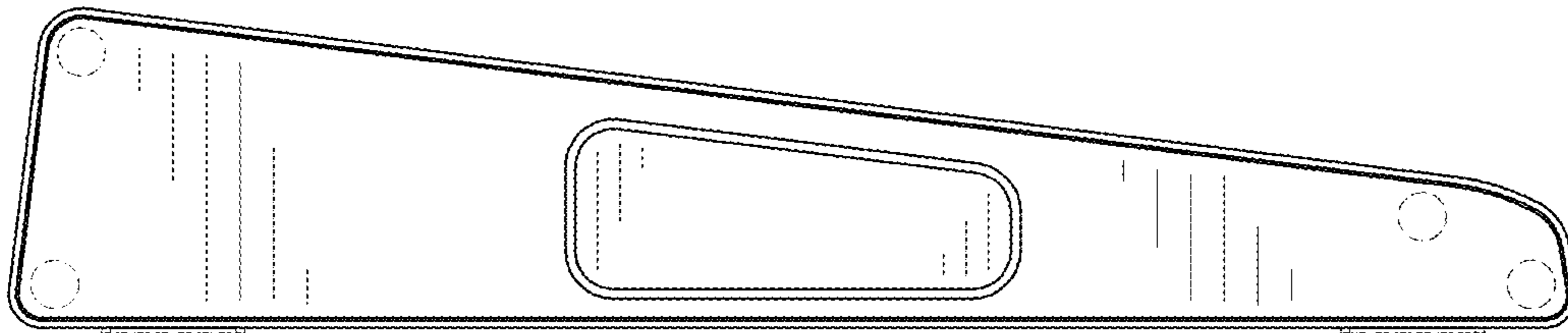


FIG. 4

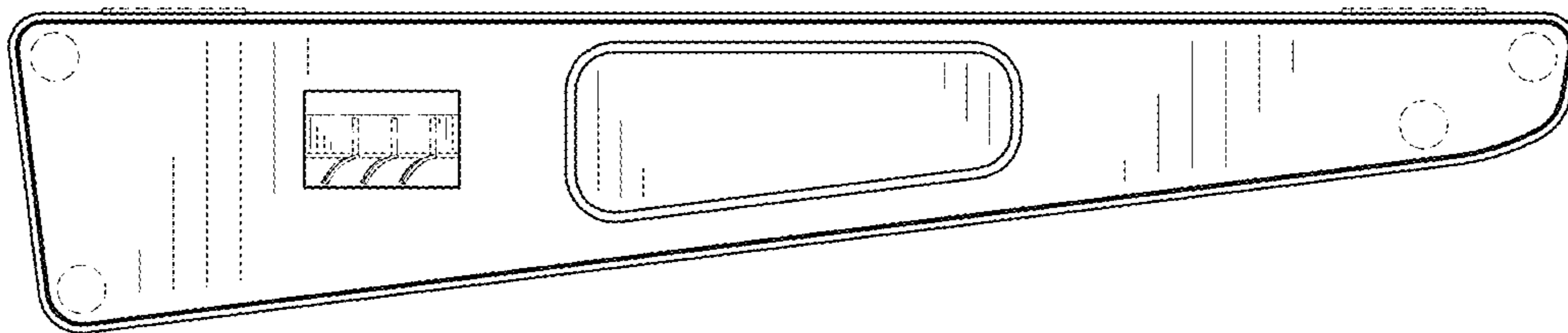


FIG. 5

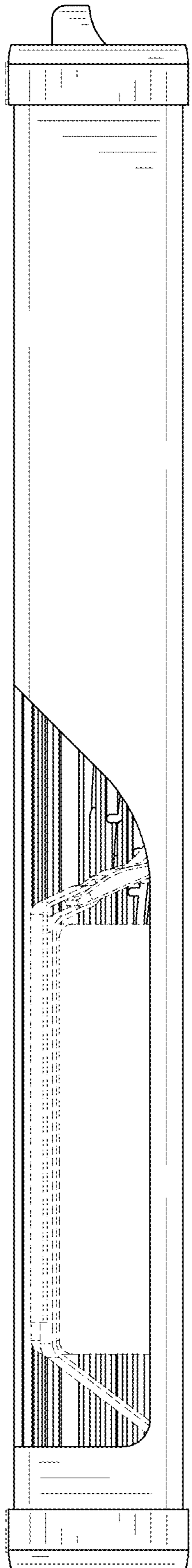


FIG. 6

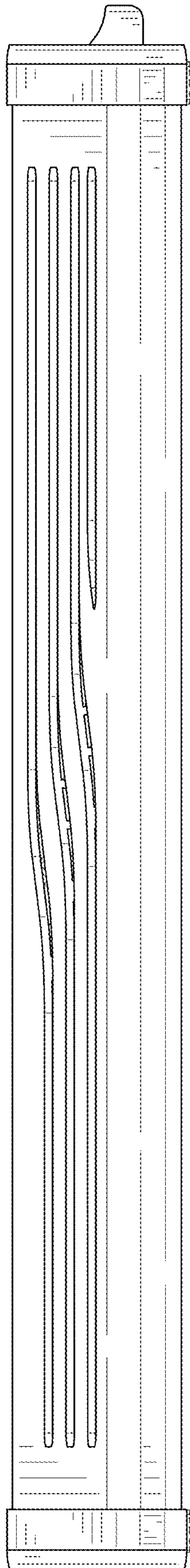


FIG. 7