



US00D958868S

(12) **United States Design Patent** (10) **Patent No.:** **US D958,868 S**
Zhang (45) **Date of Patent:** **** Jul. 26, 2022**

(54) **CAMCORDER**

(71) Applicant: **Shenzhen Zhiyong Industry Co., Ltd.**,
Shenzhen (CN)

(72) Inventor: **Guanzheng Zhang**, Shenzhen (CN)

(73) Assignee: **SHENZHEN ZHIYONG INDUSTRY CO., LTD.**, Shenzhen (CN)

(**) Term: **15 Years**

(21) Appl. No.: **29/701,364**

(22) Filed: **Aug. 11, 2019**

(30) **Foreign Application Priority Data**

Apr. 16, 2019 (CN) 201930172331.7

(51) **LOC (13) Cl.** **16-01**

(52) **U.S. Cl.**
USPC **D16/204**

(58) **Field of Classification Search**

USPC D10/31, 104.1, 50, 65, 74, 70, 118.2, 66,
D10/104.2, 106.1, 106.2, 106.6, 106.7;
D26/2, 3, 51, 60, 66, 72, 63; D23/366;
D16/200-220, 131, 132, 237, 242, 239,
D16/250, 235, 130, 134, 136, 238, 230;
D14/417, 138 C, 240, 248, 203.1, 203.3,
D14/203.7, 218, 207, 440, 402, 454, 407,
D14/408, 480.3, 480.1, 483, 341, 242,
D14/159, 141.1

CPC . G02B 7/02; G02B 7/021; G02B 7/04; G02B
7/14; G02B 7/003; G02B 7/008; G02B
13/06; G03B 17/00; G03B 17/02; G03B
17/56; G03B 17/04; G03B 17/14; G03B
17/08; G03B 15/03; G03B 15/06; H04N
1/00981; H04N 5/2251; H04N 5/2252;
H04N 5/2253; H04N 5/2254; H04N
5/23238; H04N 7/00; H04N 13/239;
H04N 2101/00; F16M 13/00

See application file for complete search history.

(56) **References Cited**

U.S. PATENT DOCUMENTS

D674,429 S *	1/2013	Woodman	D16/218
D694,797 S *	12/2013	Parker	D16/202
D696,707 S *	12/2013	Guastadini	D16/202
D893,788 S *	8/2020	Li	D26/63
D895,711 S *	9/2020	Hou	D16/200
D898,798 S *	10/2020	Xiong	D16/202
D904,484 S *	12/2020	Xiong	D16/208

(Continued)

FOREIGN PATENT DOCUMENTS

CN	305270298	*	7/2019
CN	305434562	*	11/2019

(Continued)

OTHER PUBLICATIONS

Binocular underwater camera, no date available [online], [retrieved Sep. 13, 2021], Available from Internet, URL: <http://www.cn-rov.com/productinfo/563224.html>.*

(Continued)

Primary Examiner — Kevin K Rudzinski

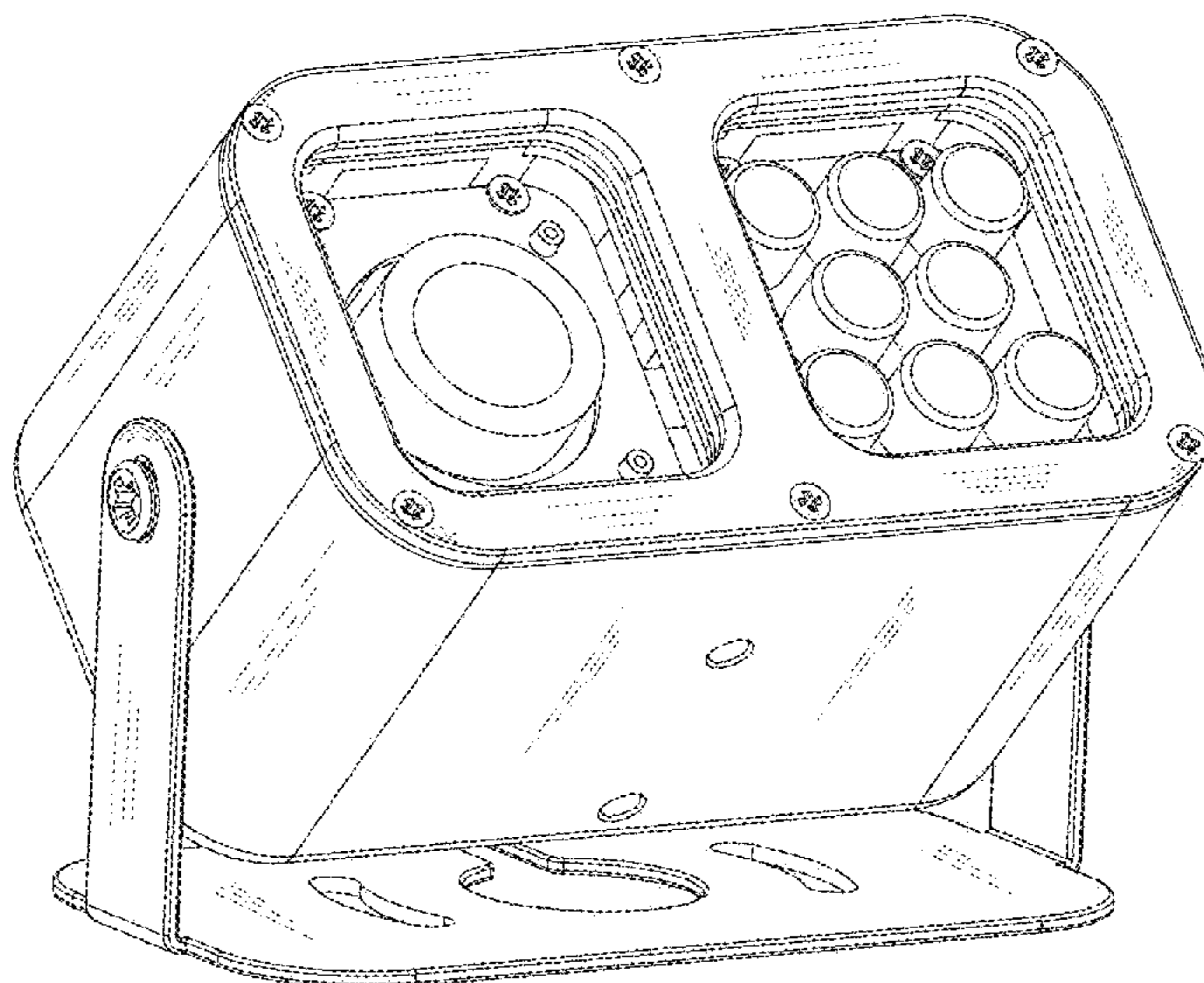
(57) **CLAIM**

The ornamental design for a camcorder, as shown and described.

DESCRIPTION

FIG. 1 is a front perspective view of a camcorder showing my new design;
FIG. 2 is a front view thereof;
FIG. 3 is a rear view thereof;
FIG. 4 is a top plan view thereof;
FIG. 5 is a bottom plan view thereof;
FIG. 6 is a right side view thereof; and,
FIG. 7 is a left side view thereof.

1 Claim, 7 Drawing Sheets



(56)

References Cited

U.S. PATENT DOCUMENTS

D904,487 S * 12/2020 Xiong D16/208
D907,098 S * 1/2021 Xiong D16/208
D911,569 S * 2/2021 Lv D26/63
D923,227 S * 6/2021 Ko D26/63
D928,214 S * 8/2021 Hou D16/200
D928,375 S * 8/2021 Mao D26/63

FOREIGN PATENT DOCUMENTS

CN 305568889 * 1/2020
EM 006615696-0001 * 7/2019
EM 006615696-0002 * 7/2019

OTHER PUBLICATIONS

SV-690H Exterior analog back-up camera, no date available [online],
[retrieved Sep. 30, 2021], Available from Internet, URL: <https://www.svideo.com/sv-690h.html>.*

VT-C9180, no date available [online], [retrieved Sep. 30, 2021],
Available from Internet, URL: <http://www.videotech.com.cn/pd.jsp?id=110>.*

Barlus—Trademark Details, published Aug. 15, 2017 [online],
[retrieved Sep. 30, 2021], Available from Internet, URL: <https://trademarks.justia.com/873/00/barlus-87300533.html>.*

* cited by examiner

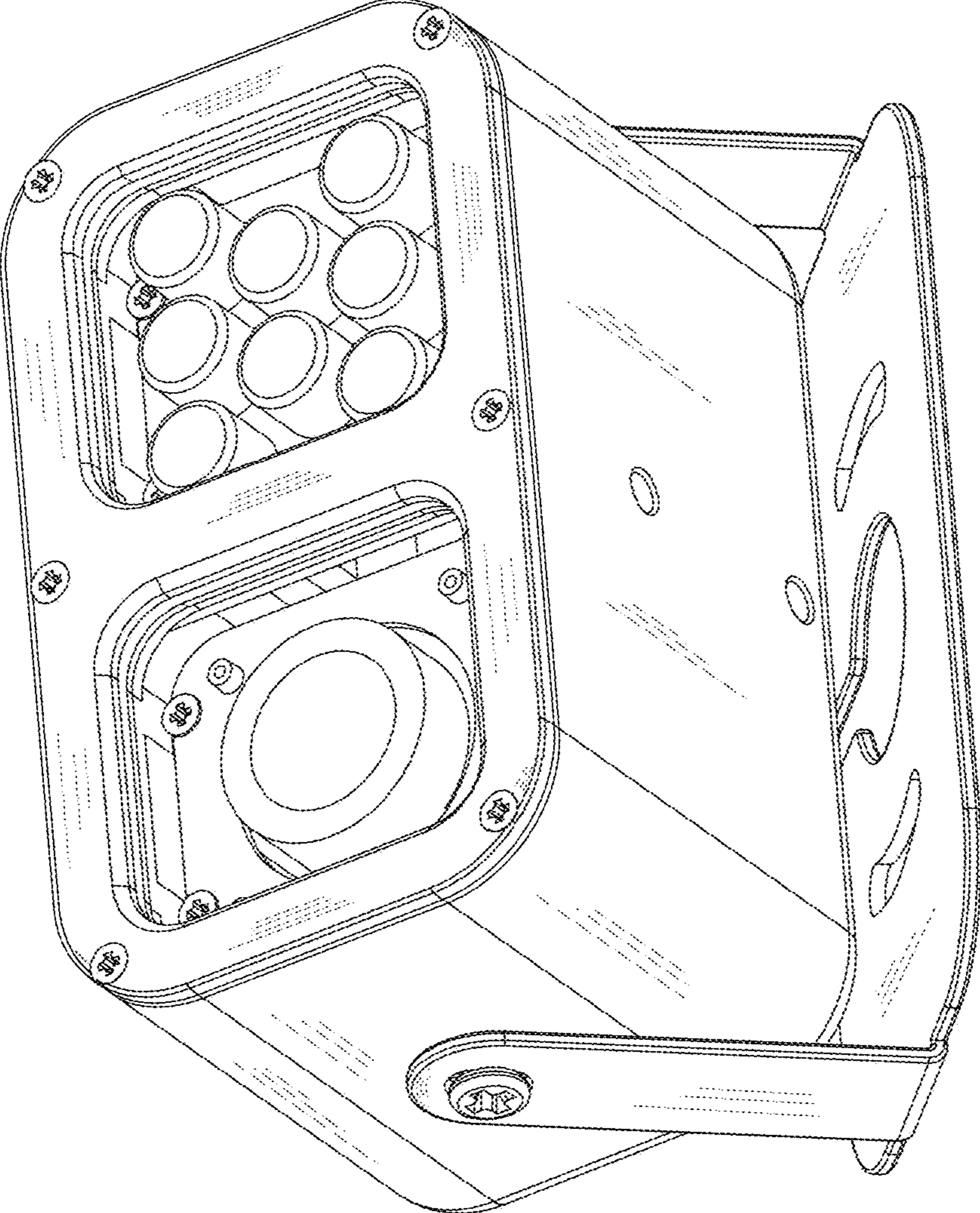


FIG. 1

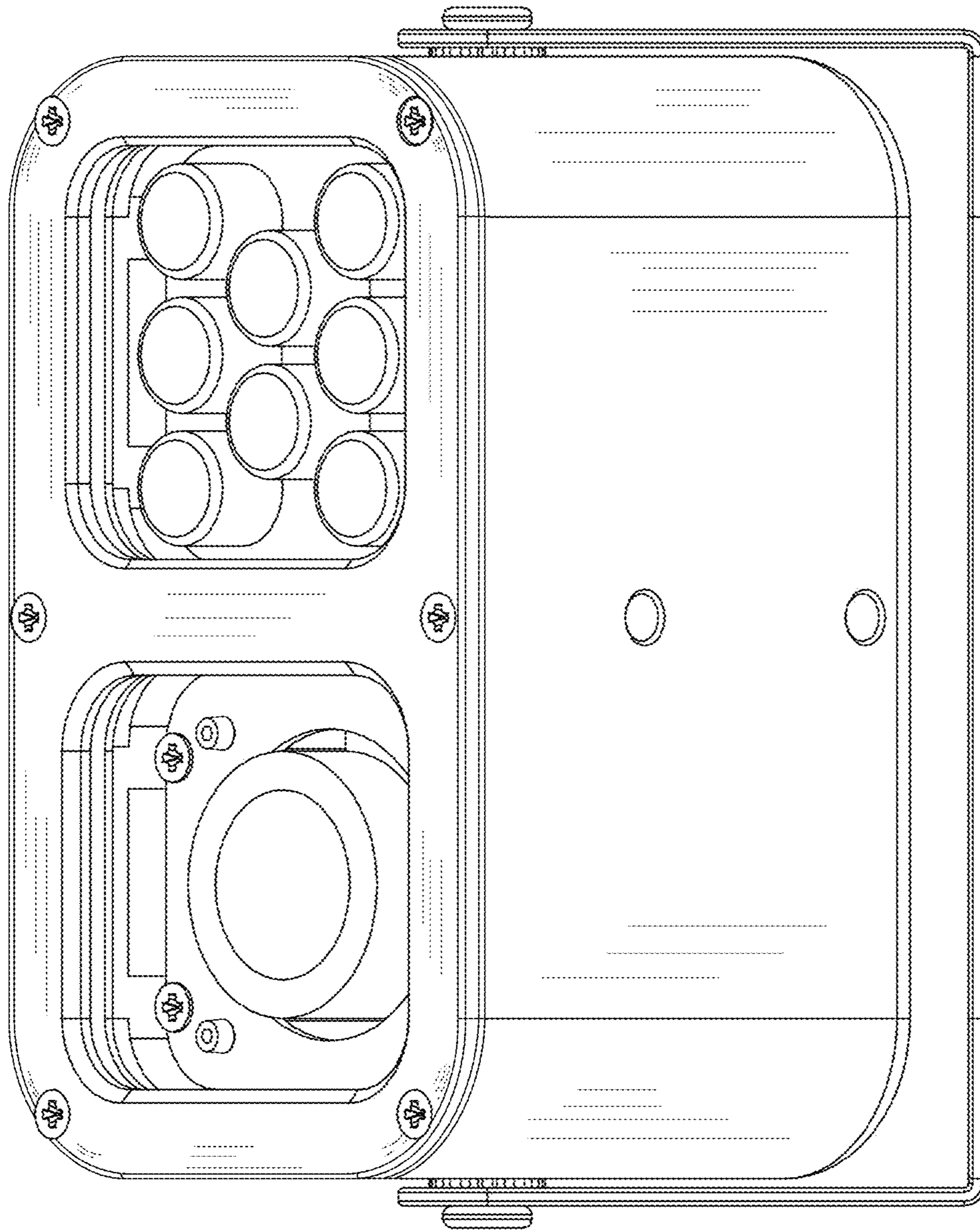


FIG. 2

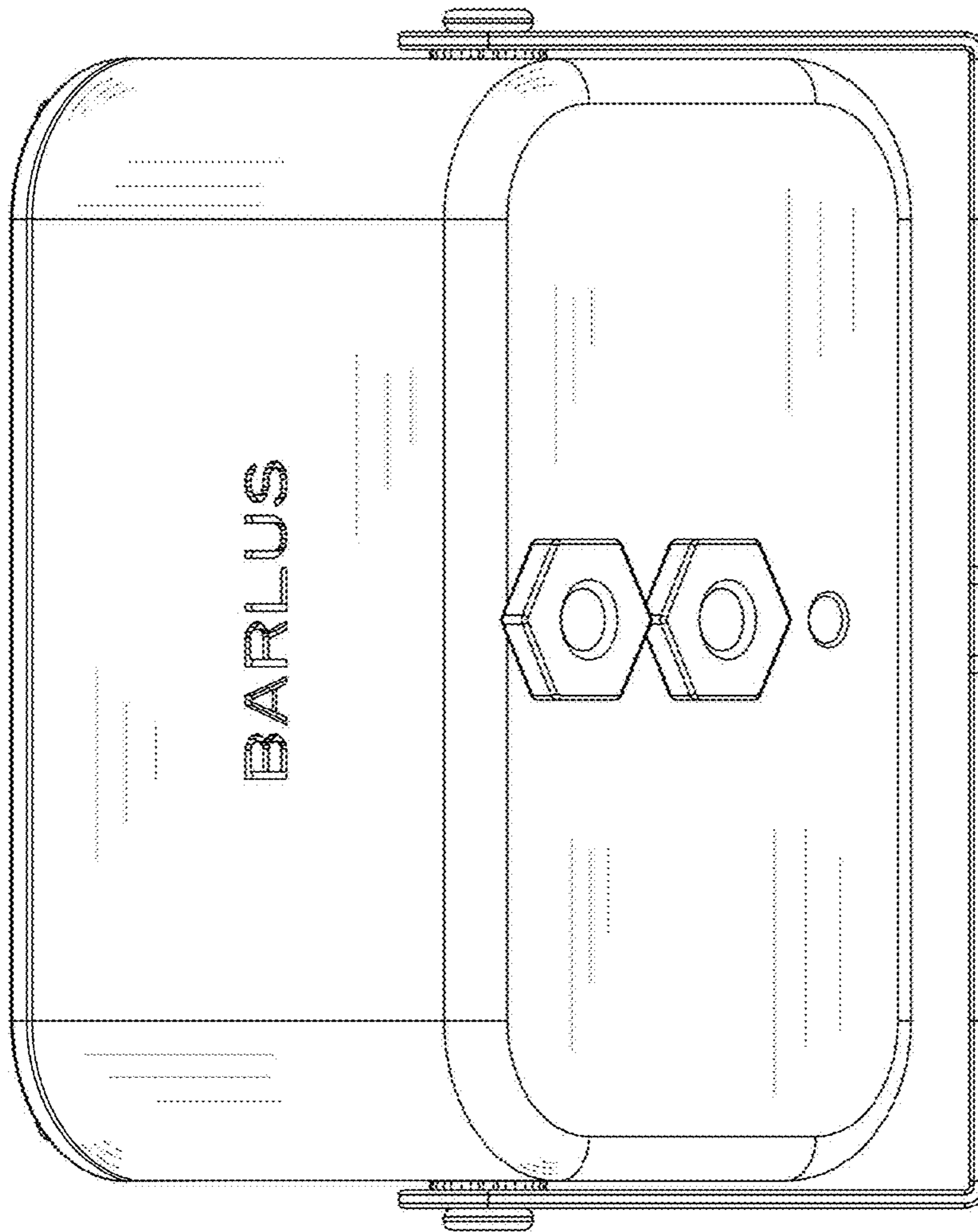


FIG. 3

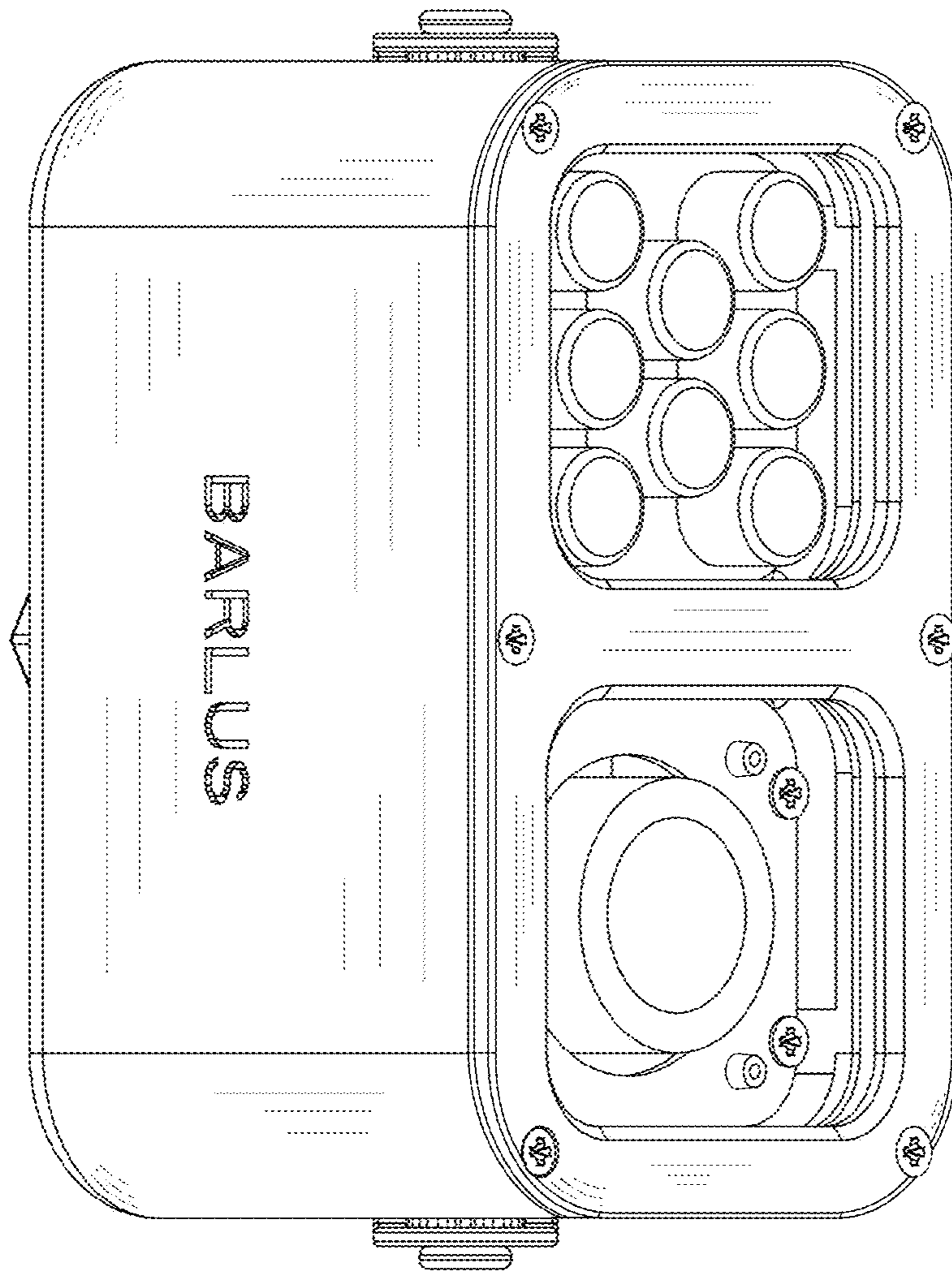


FIG. 4

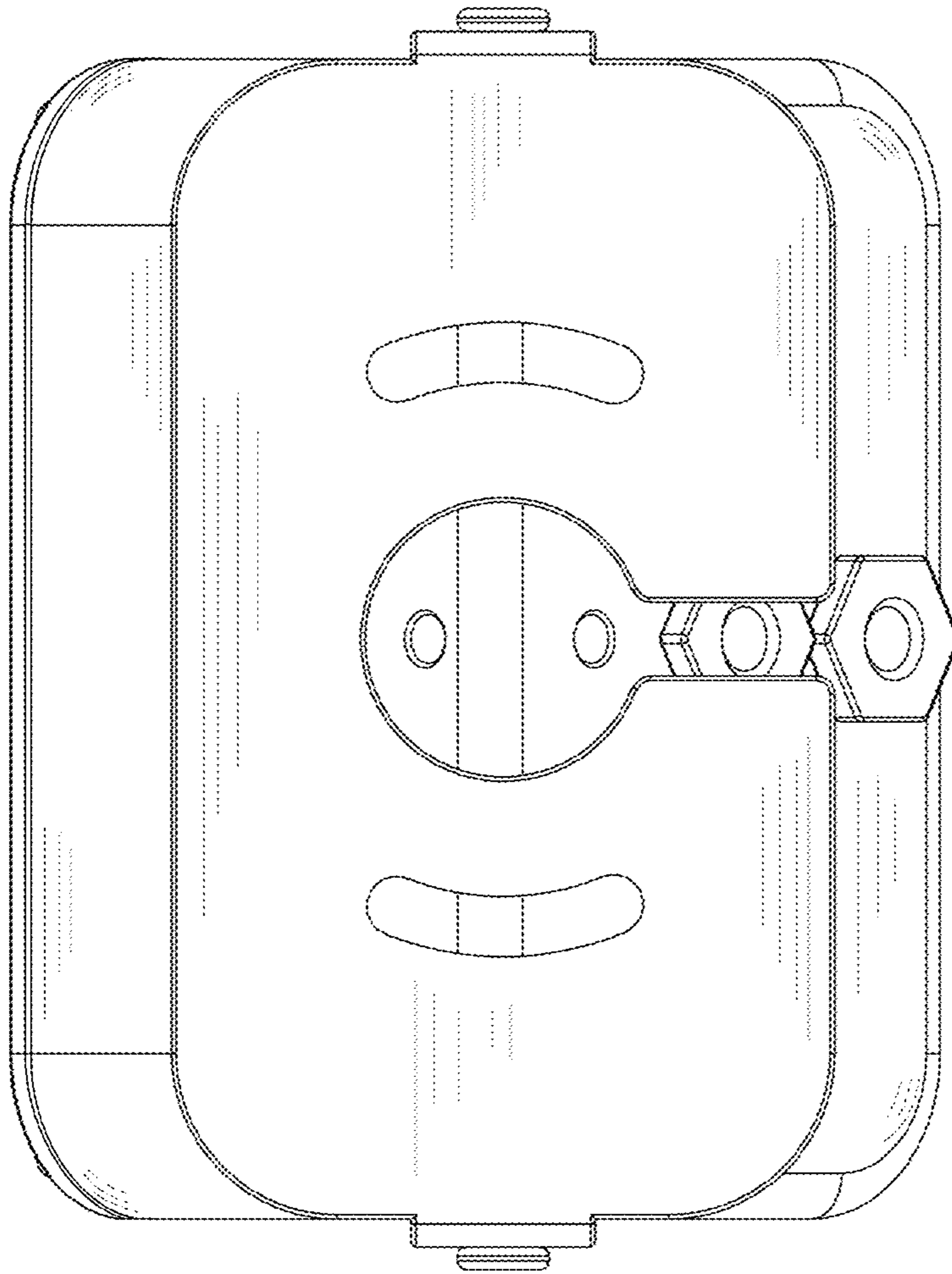


FIG. 5

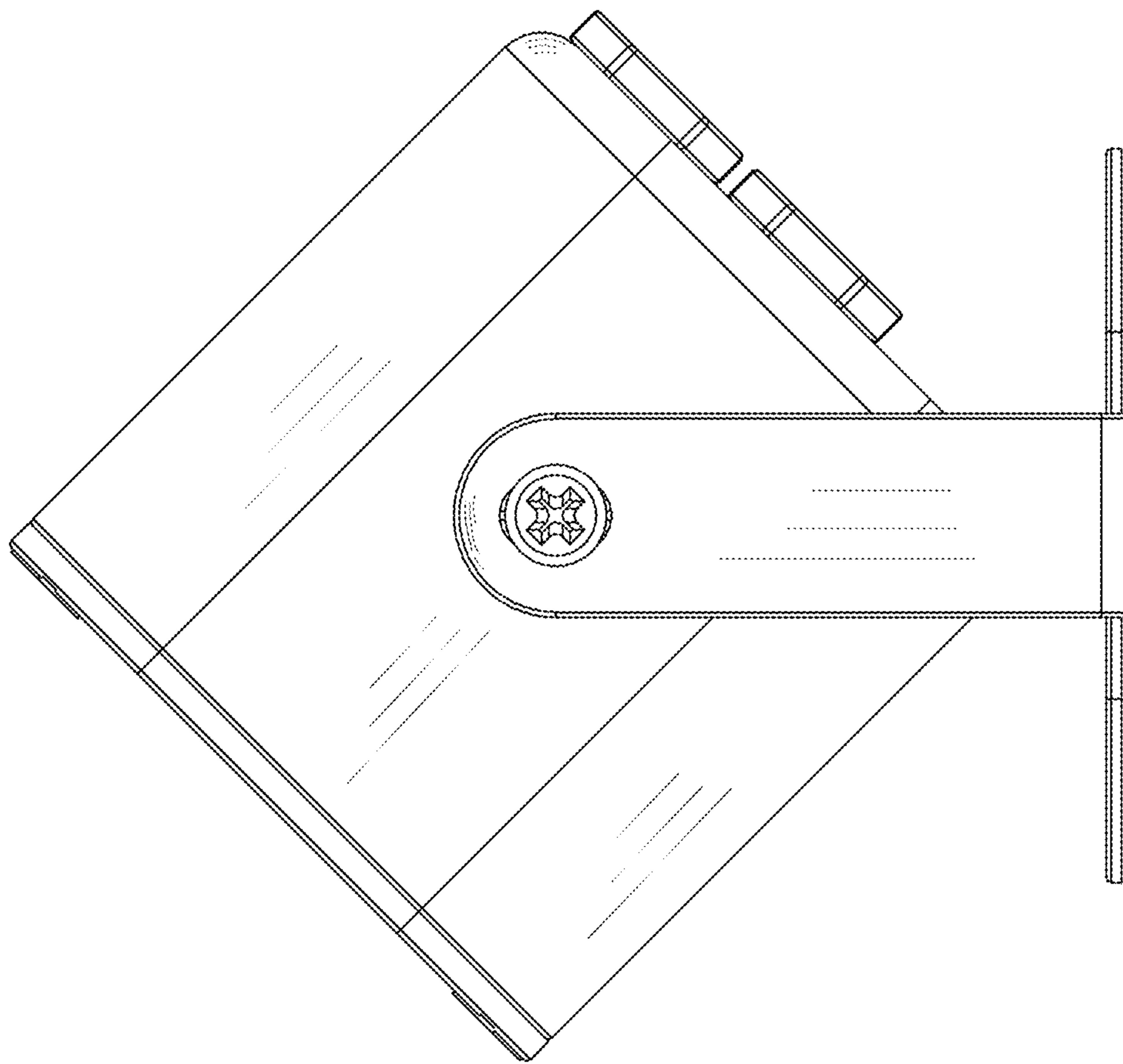


FIG. 6

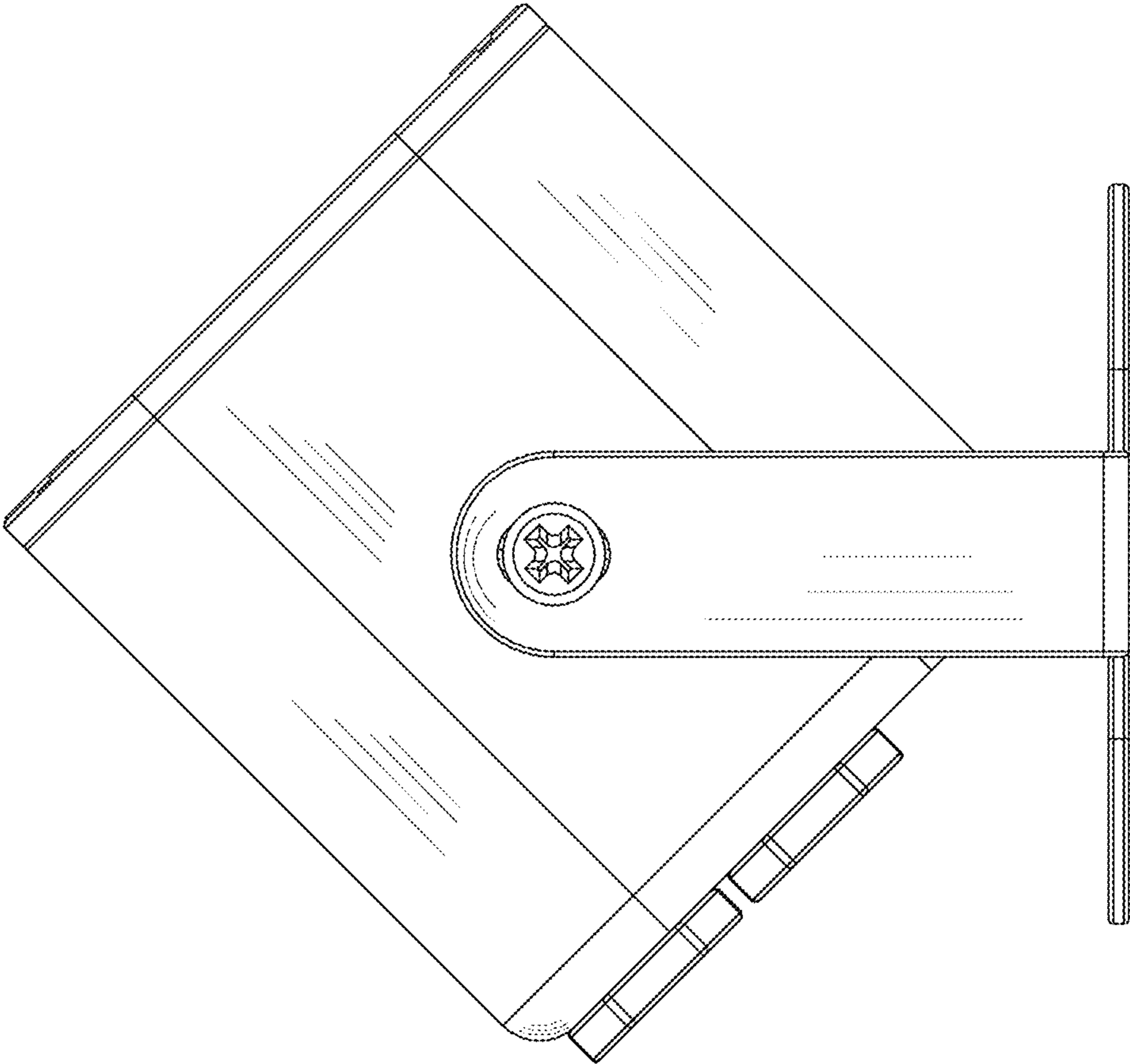


FIG. 7