



US00D958867S

(12) **United States Design Patent**  
**Jiang**

(10) **Patent No.:** **US D958,867 S**  
(45) **Date of Patent:** **\*\* Jul. 26, 2022**

(54) **TRAIL CAMERA**

FOREIGN PATENT DOCUMENTS

(71) Applicant: **SHENZHEN ZHUOPU DIGITAL TECHNOLOGY CO., LTD.**, Shenzhen (CN)

CN 306522474 \* 5/2021  
CN 306847884 \* 9/2021

(72) Inventor: **Qingwen Jiang**, Shenzhen (CN)

(73) Assignee: **SHENZHEN ZHUOPU DIGITAL TECHNOLOGY CO., LTD.**, Shenzhen (CN)

OTHER PUBLICATIONS

(\*\*) Term: **15 Years**

“Bluetooth Wifi Game & Trail Cameras 32MP 1296P for Wildlife Hunting & Home or Backyard Security Night Vision Motion Activated Waterproof | A280W” from blazevideo.net, first retrieved May 13, 2022 from the internet <[https://www.blazevideo.net/products/32mp-image-1296p-video-wifi-camera-game-trail-cam-security-camera-outdoor-wildlife-hunting-camera-with-night-vision-motion-activated-waterproof-a280w?utm\\_source=Gshopping\\_US&utm\\_medium=cpc&utm\\_campaign=Gshopping&ht\\_ads&gclid=EA1aIQobChMlwrmc3IDd9w1VDODIC1ThgE\\_EAQYASABEgLL5PD\\_BwE](https://www.blazevideo.net/products/32mp-image-1296p-video-wifi-camera-game-trail-cam-security-camera-outdoor-wildlife-hunting-camera-with-night-vision-motion-activated-waterproof-a280w?utm_source=Gshopping_US&utm_medium=cpc&utm_campaign=Gshopping&ht_ads&gclid=EA1aIQobChMlwrmc3IDd9w1VDODIC1ThgE_EAQYASABEgLL5PD_BwE)>.\*

(21) Appl. No.: **29/795,942**

(22) Filed: **Jun. 22, 2021**

(51) **LOC (13) Cl.** ..... **16-01**

(52) **U.S. Cl.**  
USPC ..... **D16/203**

(58) **Field of Classification Search**  
USPC ..... D16/200–203, 207–208, 218–219;  
D10/60, 62, 65, 104.1, 106.6, 106.7,  
D10/109.1, 109.2, 121; D14/137;  
D21/517  
CPC ..... G03B 17/00; G03B 17/02; G03B 17/08;  
G03B 2217/00; H04N 5/2251; H04N  
5/2252; H04N 5/22521; H04N 5/2258;  
H04N 5/23218

See application file for complete search history.

(Continued)

*Primary Examiner* — Michelle E. Wilson  
*Assistant Examiner* — Lacey Chey Bowman

(56) **References Cited**

U.S. PATENT DOCUMENTS

D874,545 S	2/2020	Wang	
D883,361 S *	5/2020	Ren	D16/203
D884,048 S	5/2020	Wang	
D888,125 S *	6/2020	Wang	D16/203
D892,757 S *	8/2020	Pang	D14/137
D894,252 S *	8/2020	Han	D16/203
D920,416 S *	5/2021	Jiang	D16/203
D928,215 S *	8/2021	Jiang	D16/203
D928,216 S *	8/2021	Jiang	D16/203
D928,217 S *	8/2021	Jiang	D16/203
D939,008 S *	12/2021	Jiang	D16/203

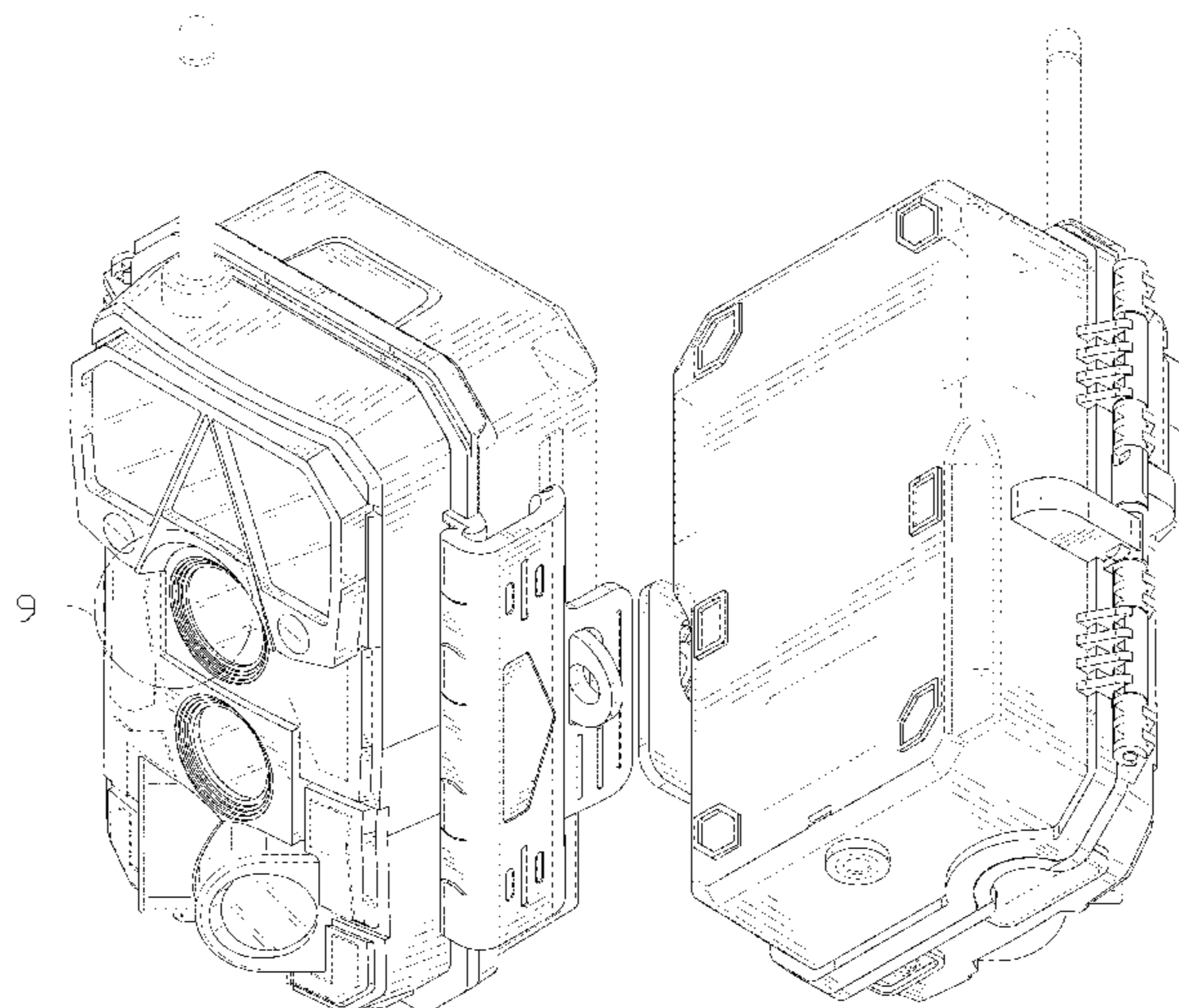
(57) **CLAIM**

The ornamental design for a trail camera, as shown and described.

**DESCRIPTION**

FIG. 1 is a perspective view of a trail camera showing my new design;  
FIG. 2 is another perspective view thereof;  
FIG. 3 is a front elevational view thereof;  
FIG. 4 is a rear elevational view thereof;  
FIG. 5 is a left side elevational view thereof;  
FIG. 6 is a right side elevational view thereof;  
FIG. 7 is a top plan view thereof;  
FIG. 8 is a bottom plan view thereof; and,  
FIG. 9 is an enlarged view of portion 9 shown in FIG. 1.  
The broken lines in the drawings depict portions of the trail camera that form no part of the claimed design.

**1 Claim, 9 Drawing Sheets**



(56)

**References Cited**

OTHER PUBLICATIONS

“(2022 Upgraded) Meidase P60 Trail Camera 32mp 1296p Game Camera with Fast 0.1s Motion Activated, Clear 100ft Night Vision Waterproof for Hunting Trail Cameras, Wildlife Deer Scouting” from Amazon.com, first available Nov. 9, 2021 from the internet <<https://www.amazon.com/Upgraded-Meidase-Activated-Waterproof-Wildlife/dp/B09LCXJ92F?th=1>> (Year: 2021).\*

\* cited by examiner

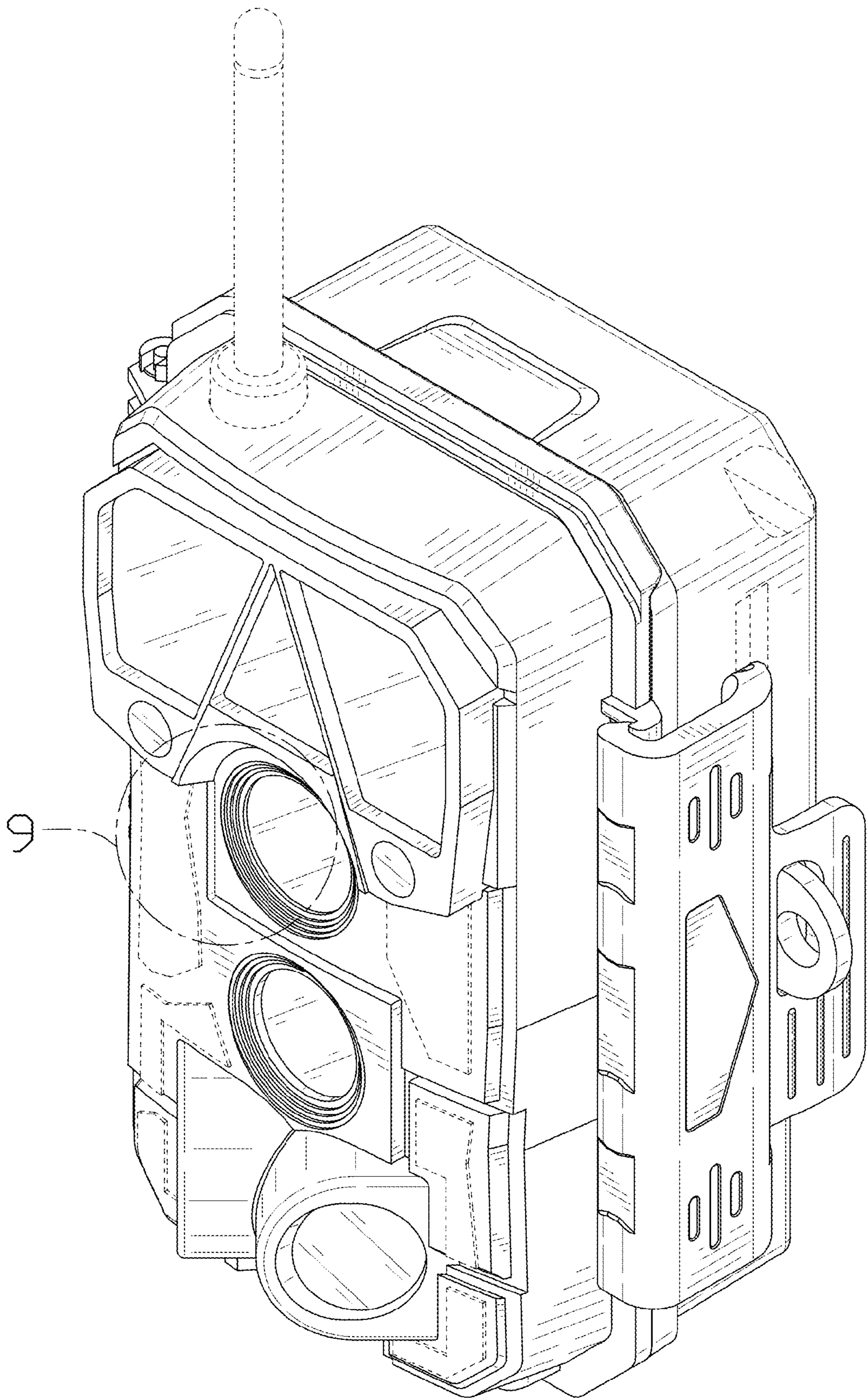


FIG. 1

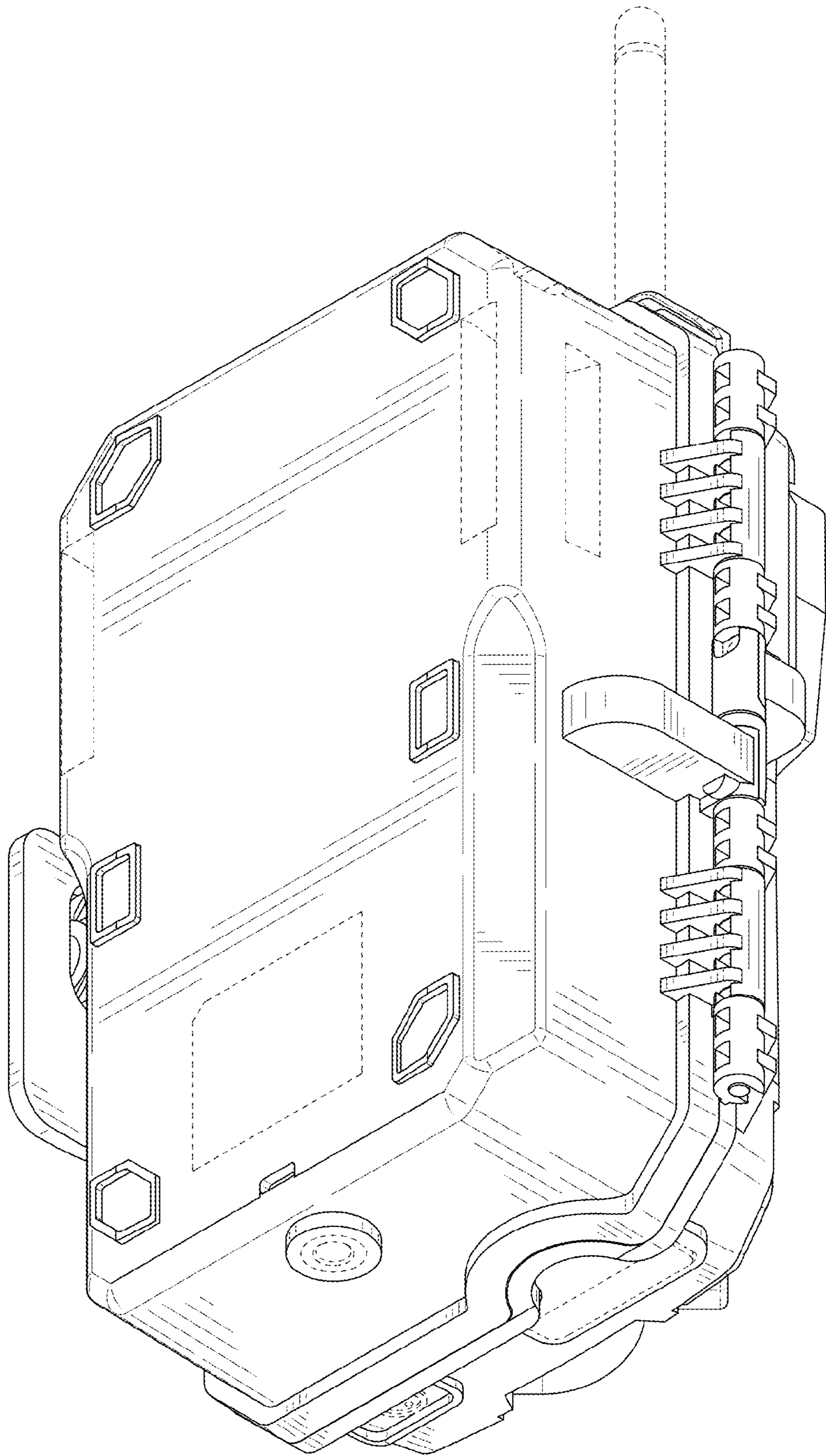


FIG. 2

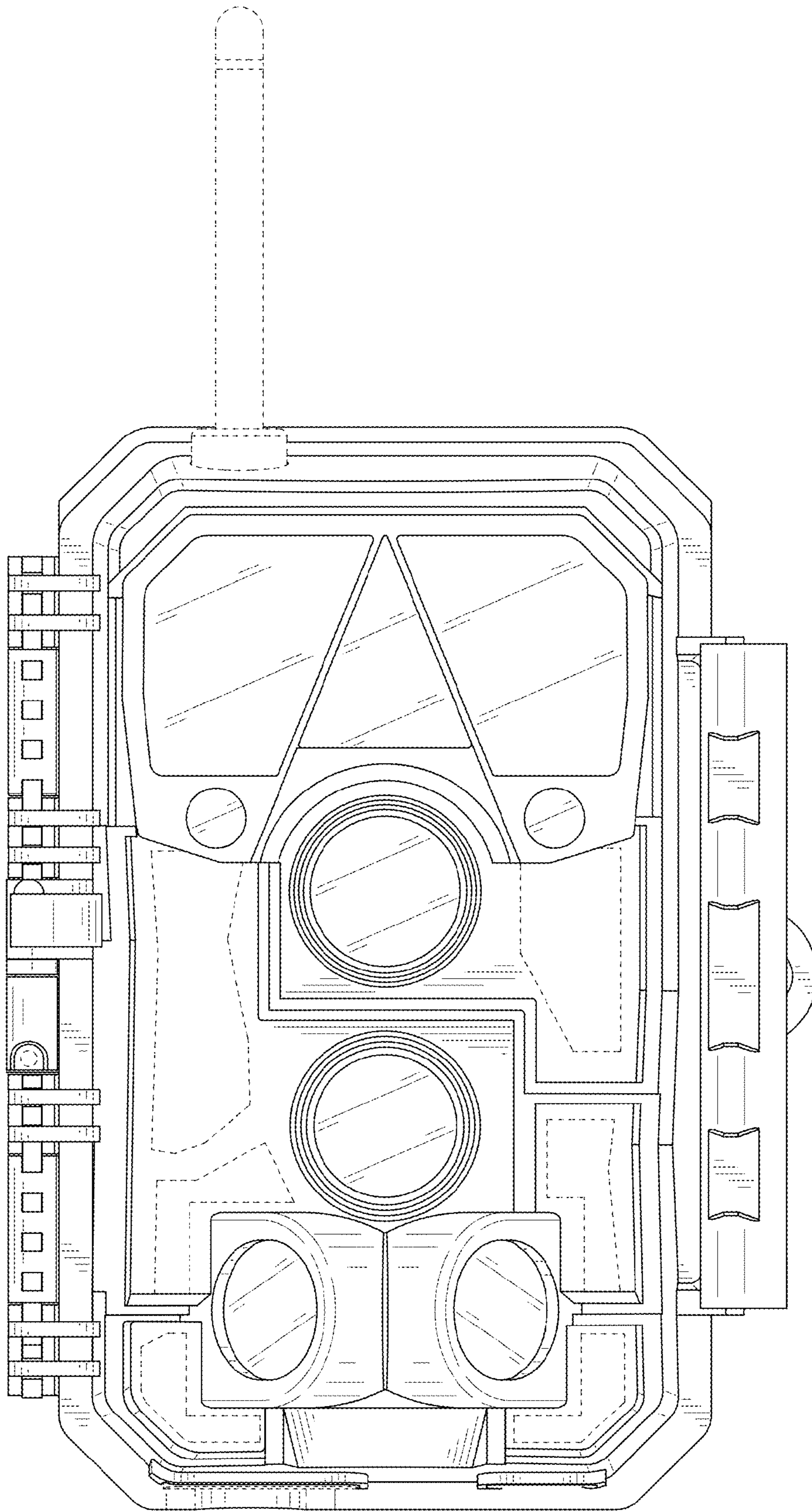


FIG. 3

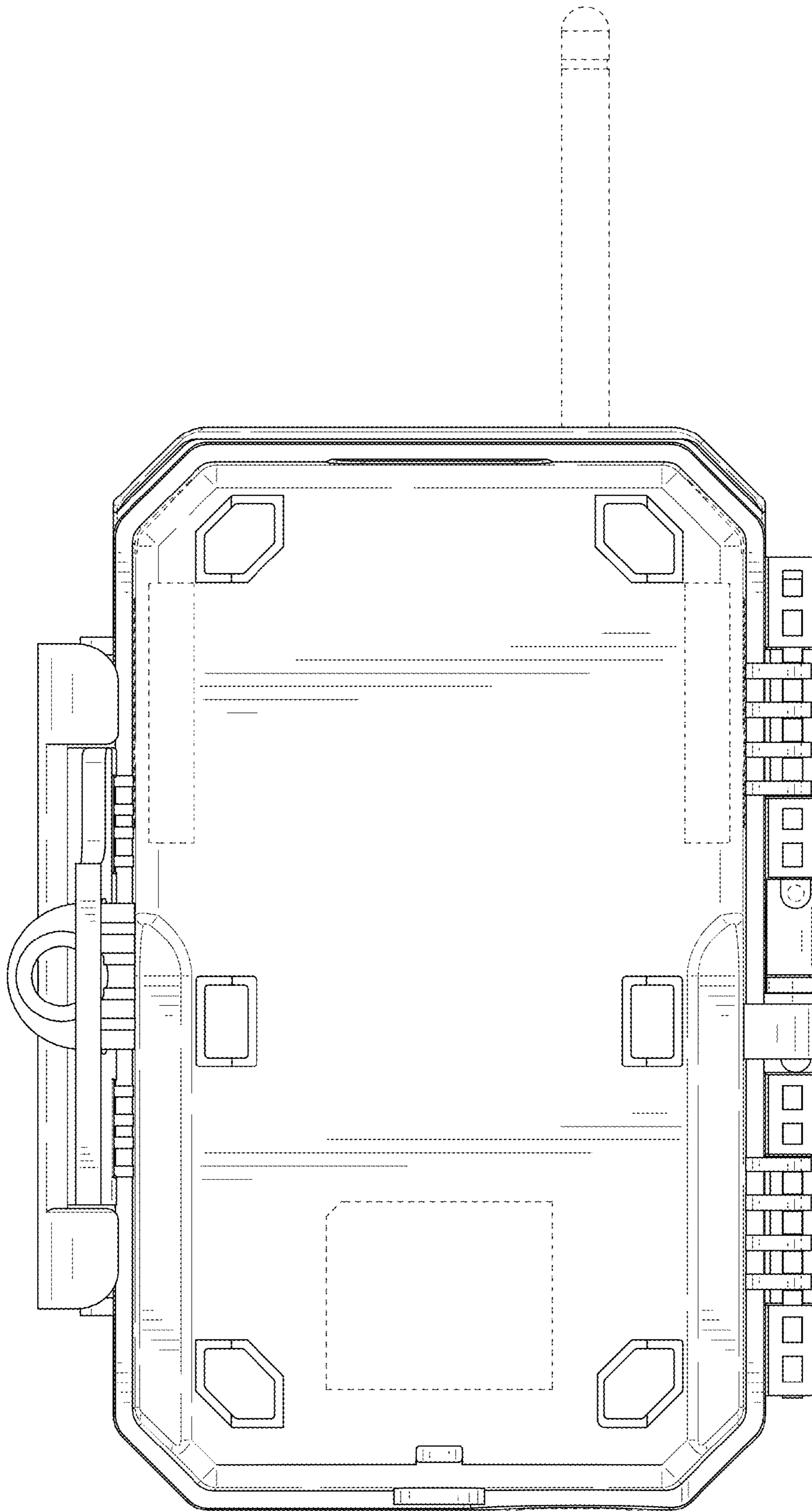


FIG. 4

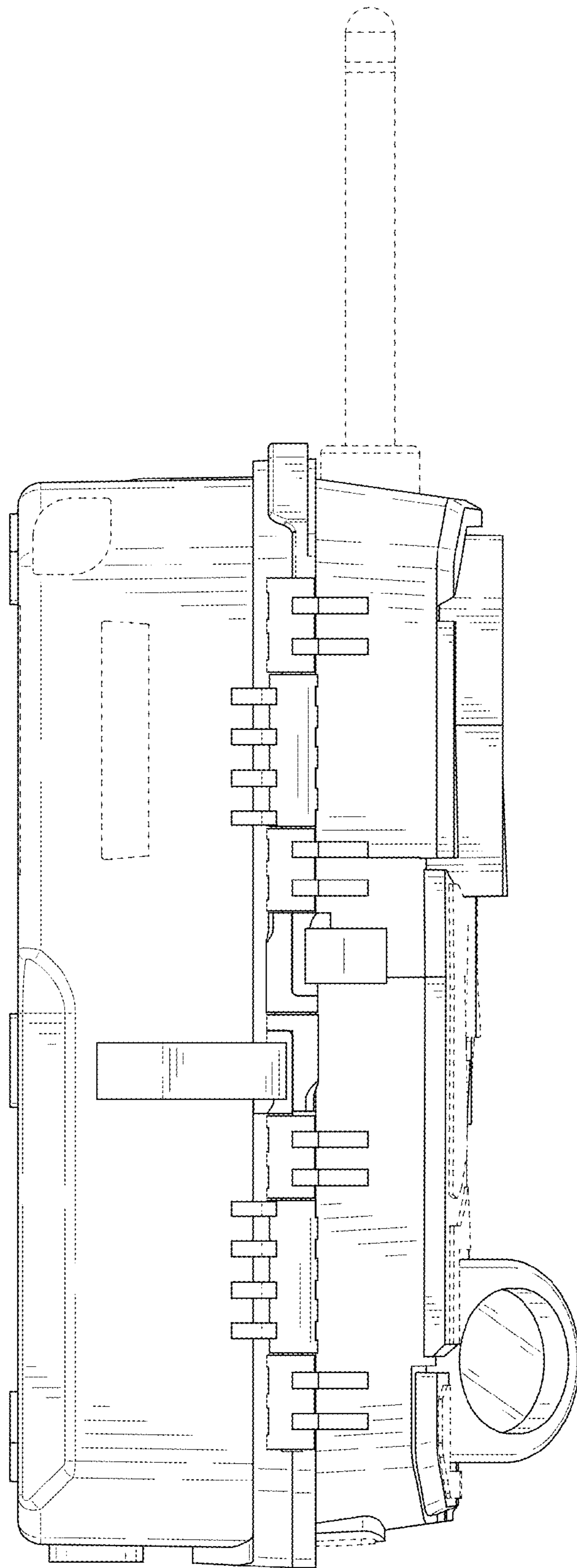


FIG. 5

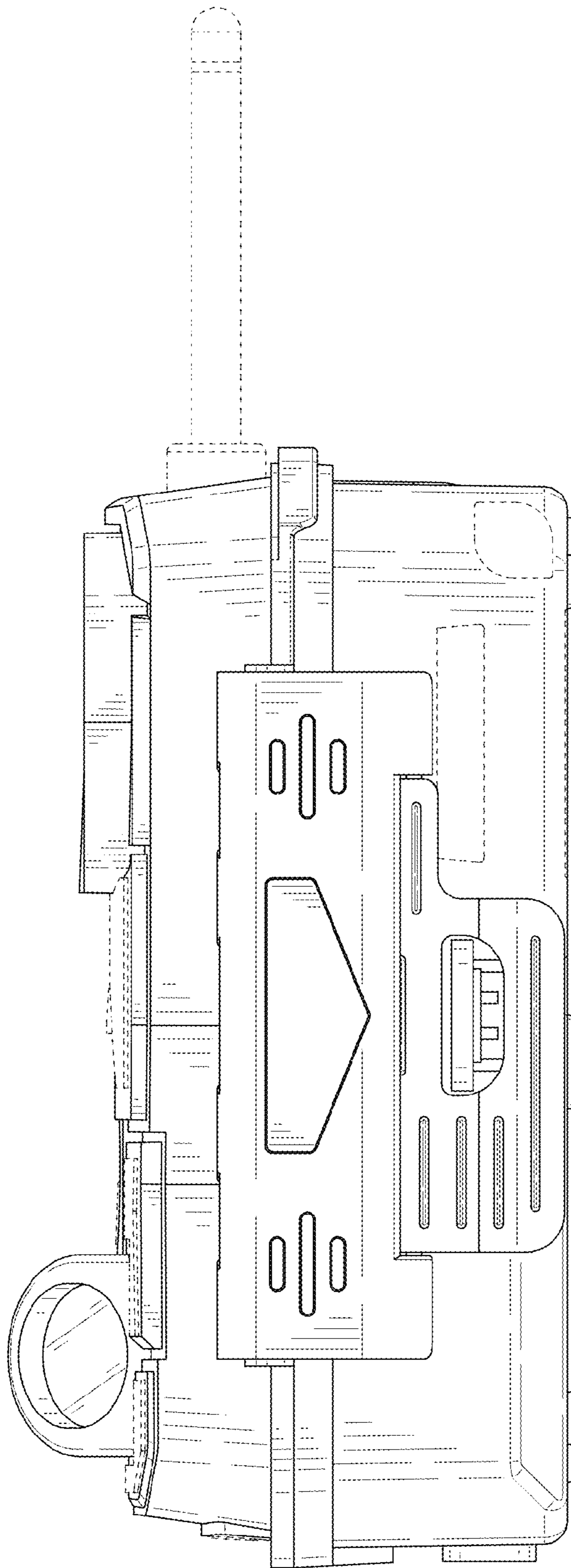


FIG. 6



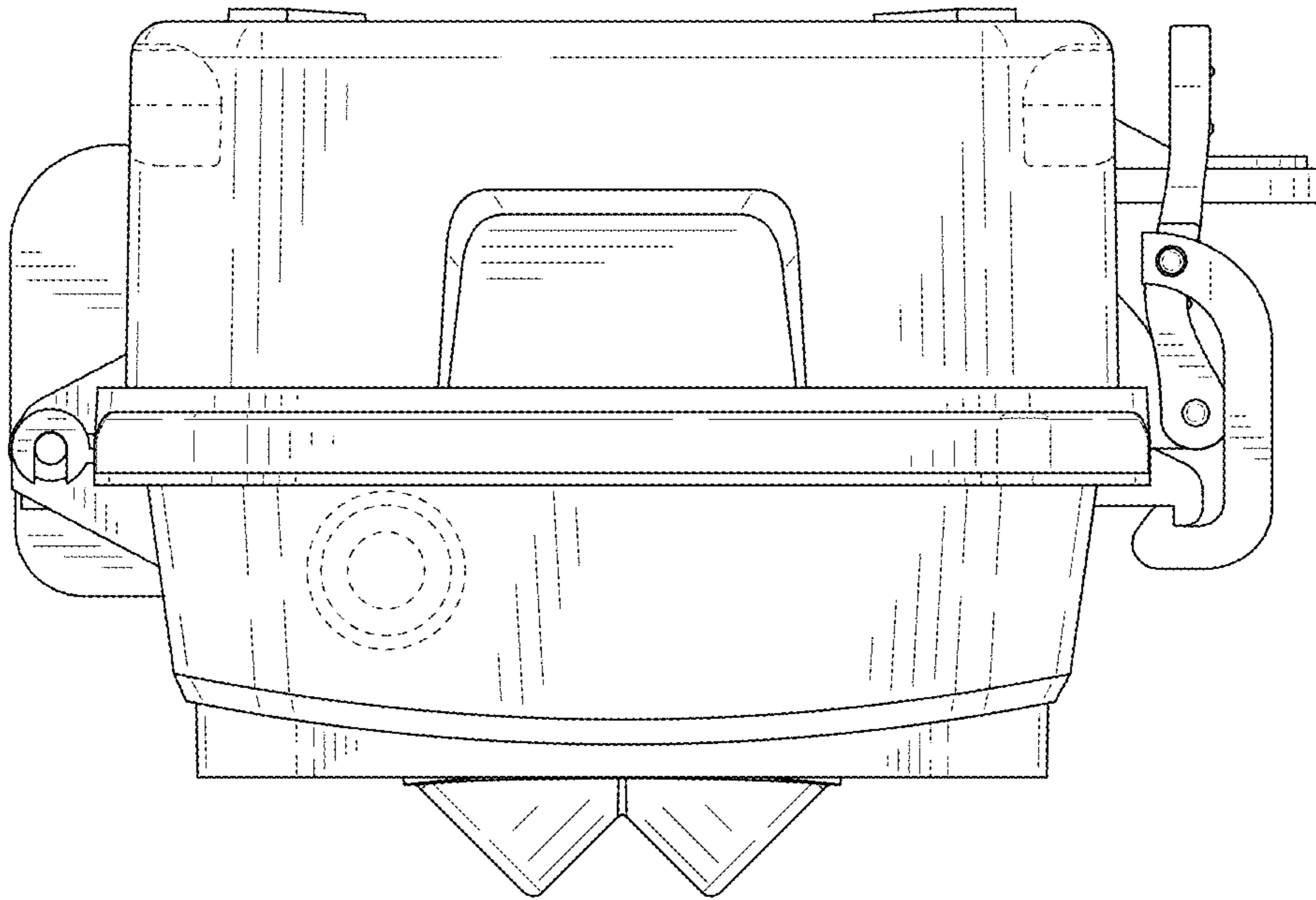


FIG. 7

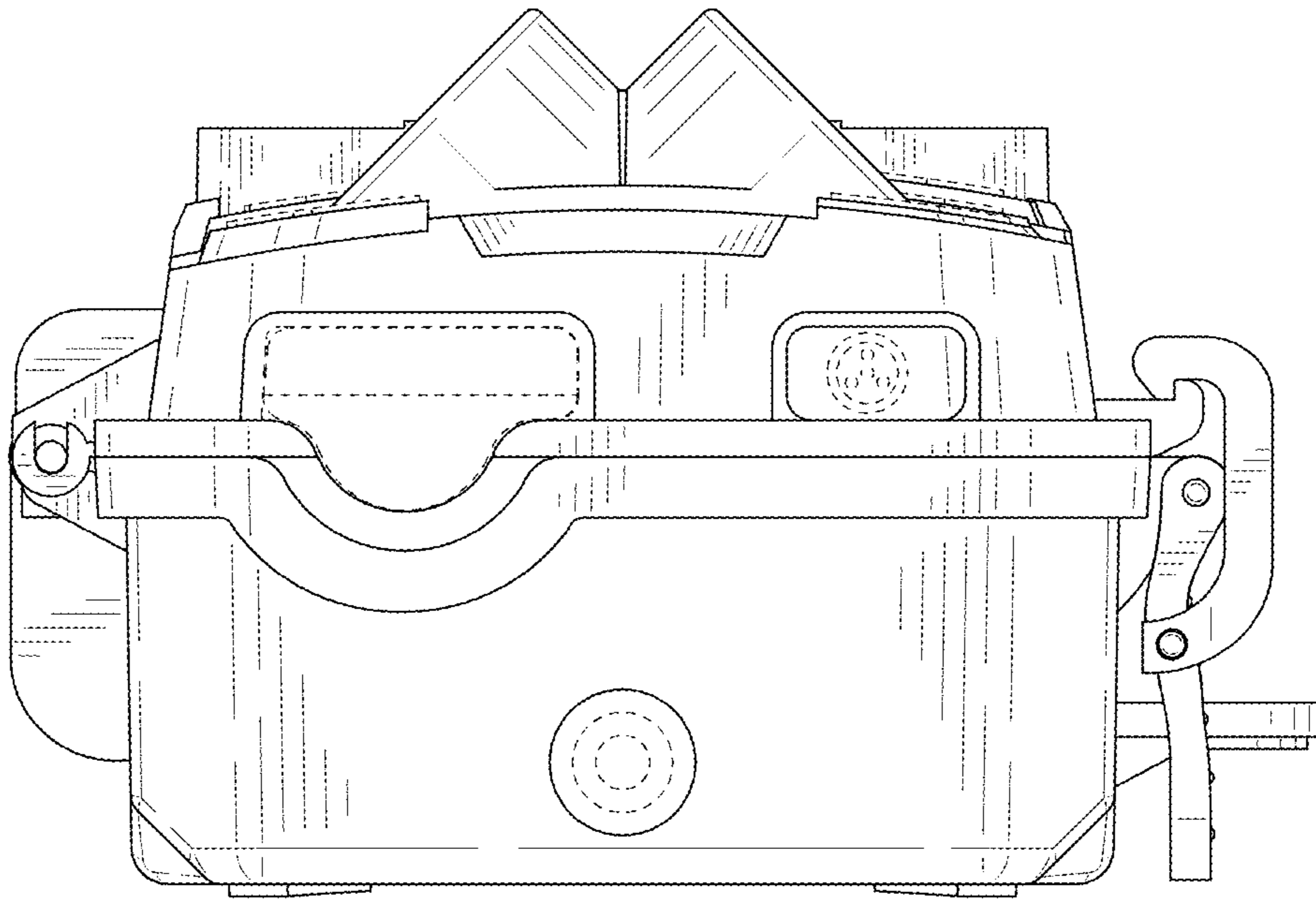


FIG. 8

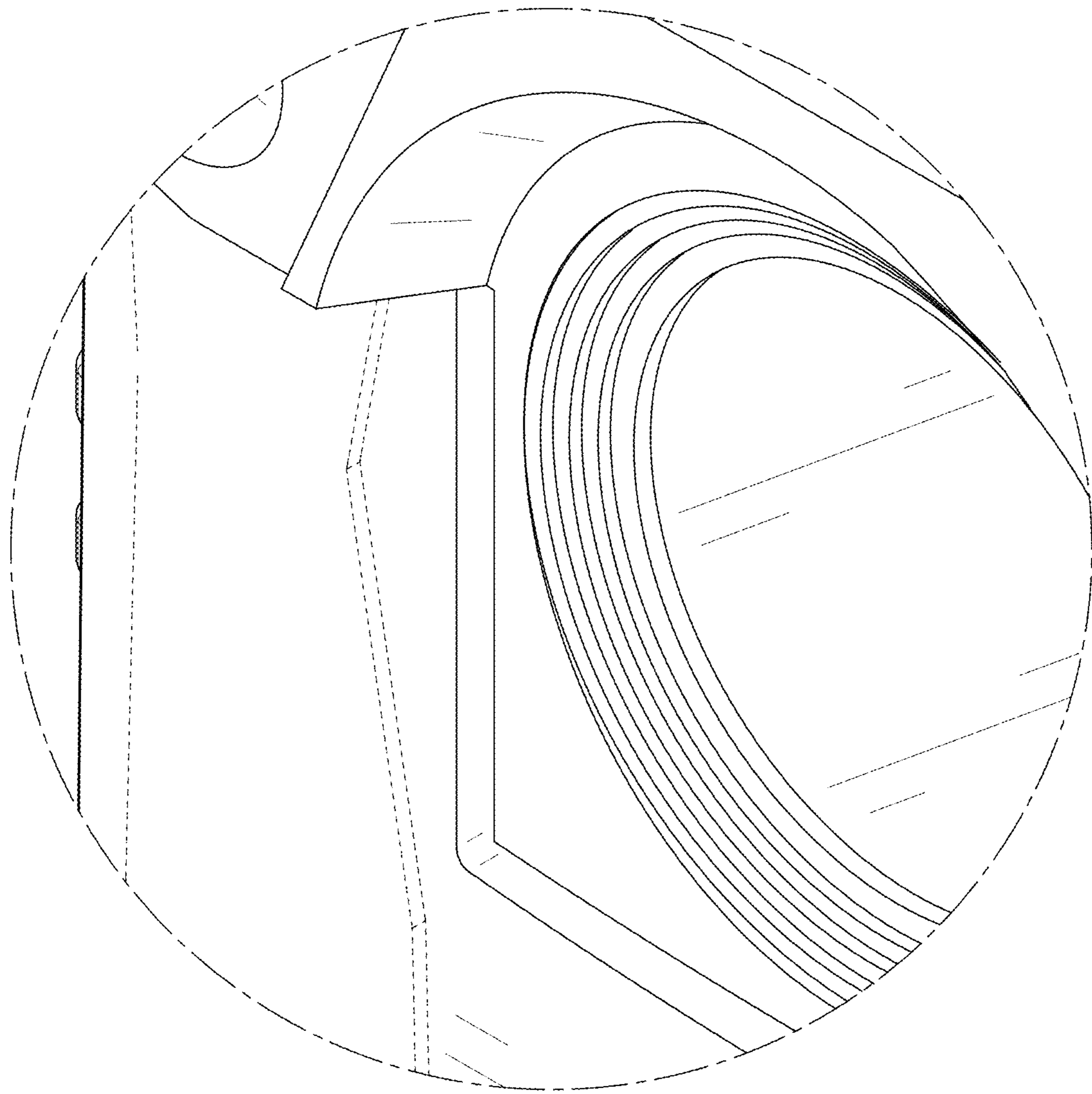


FIG. 9