



US00D958865S

(12) **United States Design Patent**
Södergård et al.

(10) **Patent No.:** **US D958,865 S**
(45) **Date of Patent:** **** Jul. 26, 2022**

(54) **CAMERA**

(71) Applicant: **Axis AB**, Lund (SE)

(72) Inventors: **Åke Södergård**, Lund (SE); **Jonas Sjögren**, Lund (SE); **Magnus Ainetoft**, Lund (SE); **Mariano Vozzi**, Lund (SE); **Mathias Walter**, Lund (SE); **Mattias Uttke**, Lund (SE); **Sebastian Engwall**, Lund (SE)

(73) Assignee: **AXIS AB**, Lund (SE)

(**) Term: **15 Years**

(21) Appl. No.: **29/727,470**

(22) Filed: **Mar. 11, 2020**

(30) **Foreign Application Priority Data**

Sep. 12, 2019 (EM) 006861761

(51) **LOC (13) Cl.** **16-01**

(52) **U.S. Cl.**
USPC **D16/203**

(58) **Field of Classification Search**
USPC D16/200–203, 207–208; D26/24, 35, 36, D26/40, 44, 46, 52, 80, 81, 89, 104, 123, D26/124
CPC G03B 17/00; G03B 17/02; G03B 2217/00; H04N 5/2251; H04N 5/2252; H04N 5/2254; H04N 5/2259

See application file for complete search history.

(56) **References Cited**

U.S. PATENT DOCUMENTS

D127,676 S * 6/1941 Dover D10/113.1
D322,140 S * 12/1991 Dacanay D10/111
(Continued)

FOREIGN PATENT DOCUMENTS

CN 303493782 S 12/2015
CN 305385652 S 10/2019
(Continued)

OTHER PUBLICATIONS

“Axis P3715-PLVE 2x2MP IR Outdoor Multi-sensor IP Security Camera—01970-001” from a1securitycameras.com, first retrieved on May 18, 2022 from the internet <https://www.a1securitycameras.com/axis-p3715-plve-2x2mp-ir-outdoor-multi-sensor-ip-security-camera-01970-001.html?gclid=EAlalQobChMIkdbZ0Mbp9wIVI4zICh1Yfg47EAQYByABEgJ5UvD_BwE> (Year: 2022).*

(Continued)

Primary Examiner — Michelle E. Wilson

Assistant Examiner — Lacey Chey Bowman

(74) *Attorney, Agent, or Firm* — Tucker Ellis LLP

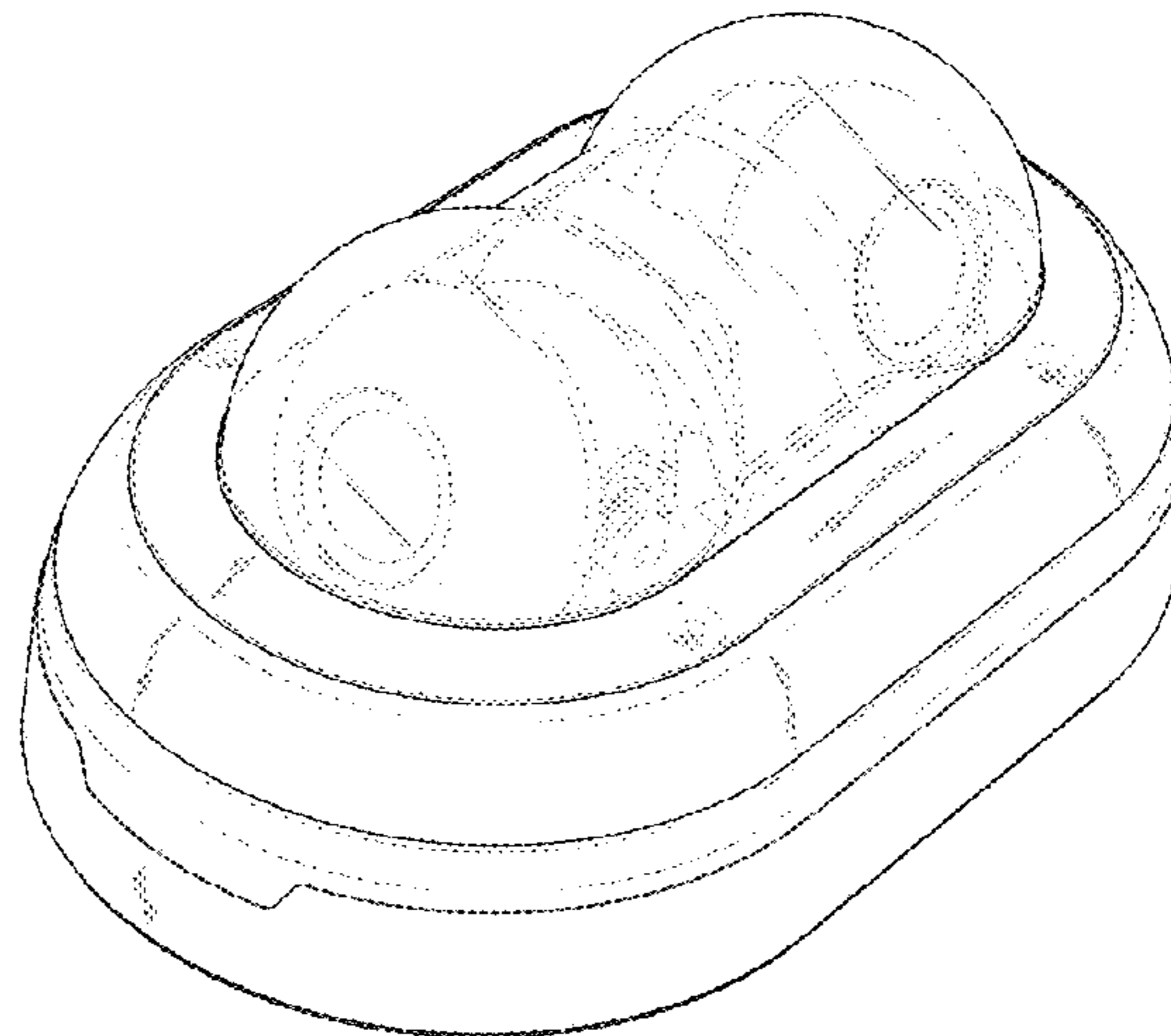
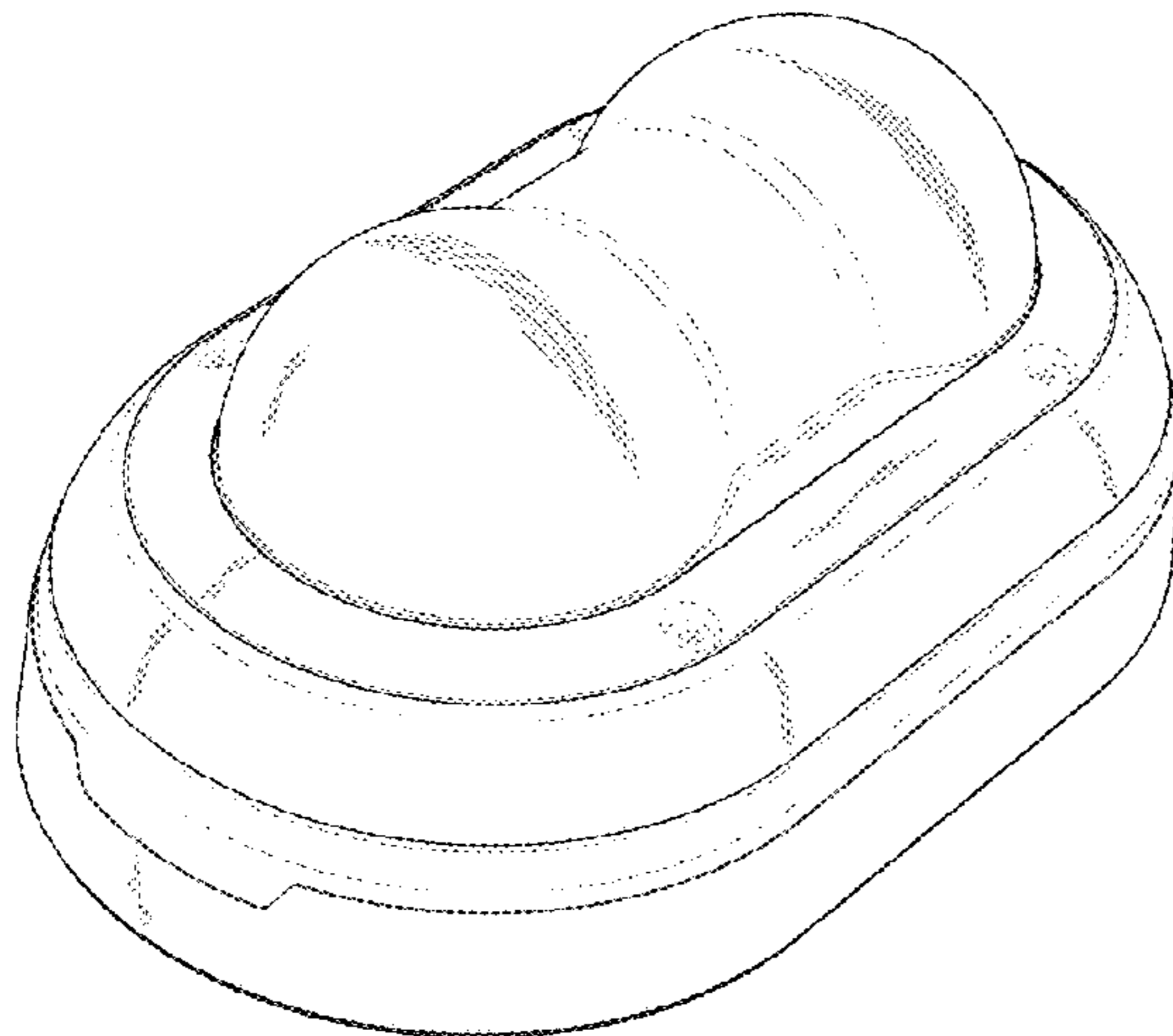
(57) **CLAIM**

The ornamental design for a camera, as shown and described.

DESCRIPTION

FIG. 1 is a perspective view of a first embodiment of a camera showing our new design;
FIG. 2 is a front view thereof;
FIG. 3 is a rear view thereof;
FIG. 4 is a left side view thereof;
FIG. 5 is a right side view thereof;
FIG. 6 is a top view thereof;
FIG. 7 is a bottom view thereof;
FIG. 8 is a perspective view of a second embodiment of the camera;
FIG. 9 is a front view thereof;
FIG. 10 is a rear view thereof;
FIG. 11 is a left side view thereof;
FIG. 12 is a right side view thereof;
FIG. 13 is a top view thereof; and,
FIG. 14 is a bottom view thereof.
The broken lines illustrate portions of the camera and form no part of the claimed design.

1 Claim, 8 Drawing Sheets



(56)

References Cited

U.S. PATENT DOCUMENTS

D473,672 S * 4/2003 Lay D26/80
D532,918 S * 11/2006 Lay D26/80
7,220,014 B2 * 5/2007 Lay F21S 9/022
307/64
D559,424 S * 1/2008 Martineau D26/85
D658,799 S * 5/2012 Levine D26/83
D742,053 S * 10/2015 Sussman D26/63
D756,557 S * 5/2016 Bryant D26/138
D771,295 S * 11/2016 Furuki D26/35
D835,701 S * 12/2018 Song D16/219
D849,281 S * 5/2019 Kim D26/24
D849,282 S * 5/2019 Kim D26/24
D877,232 S * 3/2020 Chou D16/210

FOREIGN PATENT DOCUMENTS

CN 305392393 S 10/2019
CN 305403873 * 10/2019
CN 305880374 * 6/2020
KR 300738480000 4/2014

OTHER PUBLICATIONS

“Hikvision DS-2CD6D82G0-IHS-4mm 16 Megapixel Outdoor Multi-Sensor Dual-Directional PanoVu Camera, 4mm Lens” from surveillance-video.com, first retrieved on May 18, 2022 from the internet <https://www-surveillance-video.com/camera-ds-2cd6d82g0-ih-4mm.html?gclid=EAIalQobChMlkdbZ0Mbp9wIvI4zICh1Yfg47EAQYCyABEgLbE_D_BwE> (Year: 2022).*

* cited by examiner

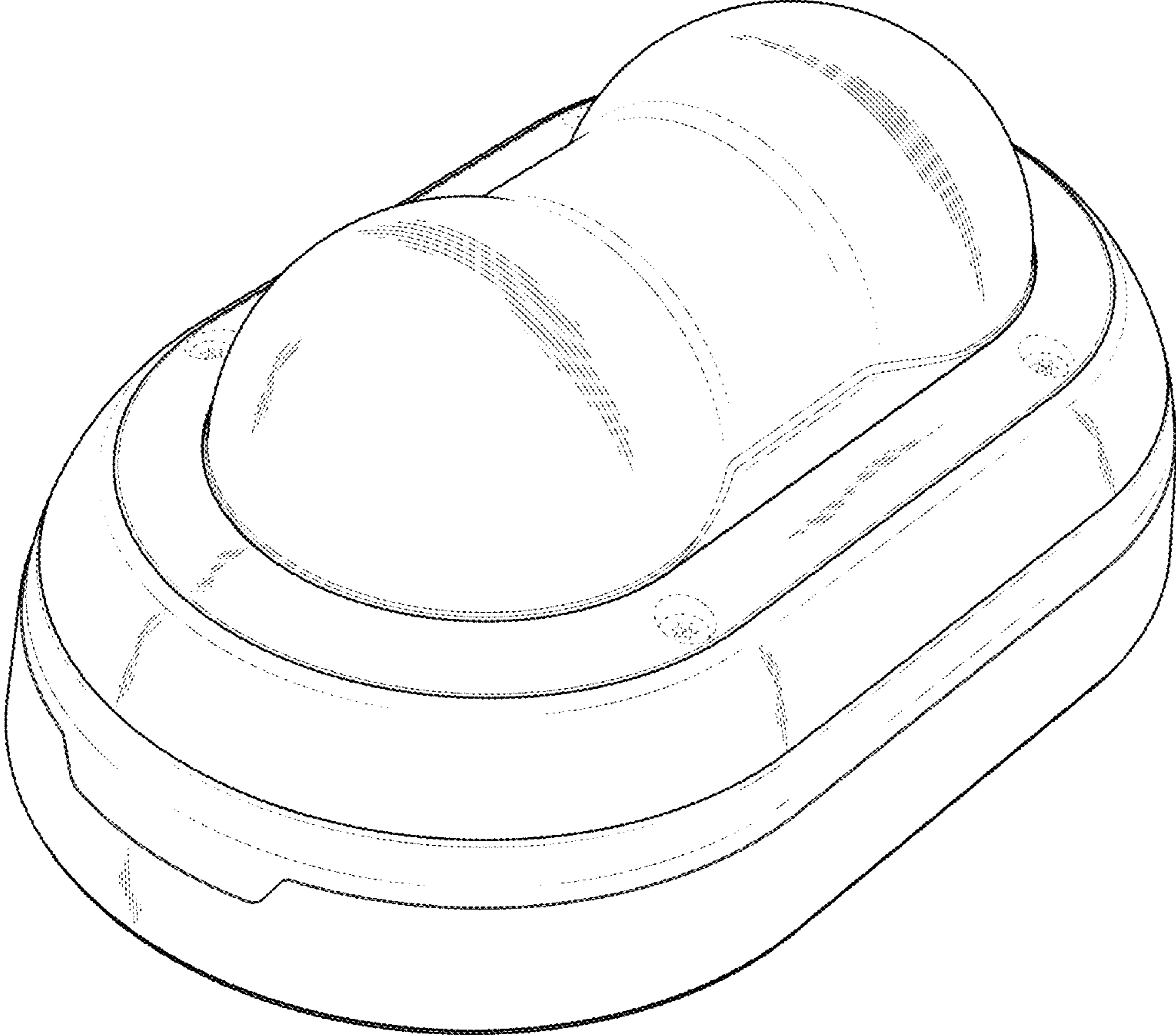


FIG. 1

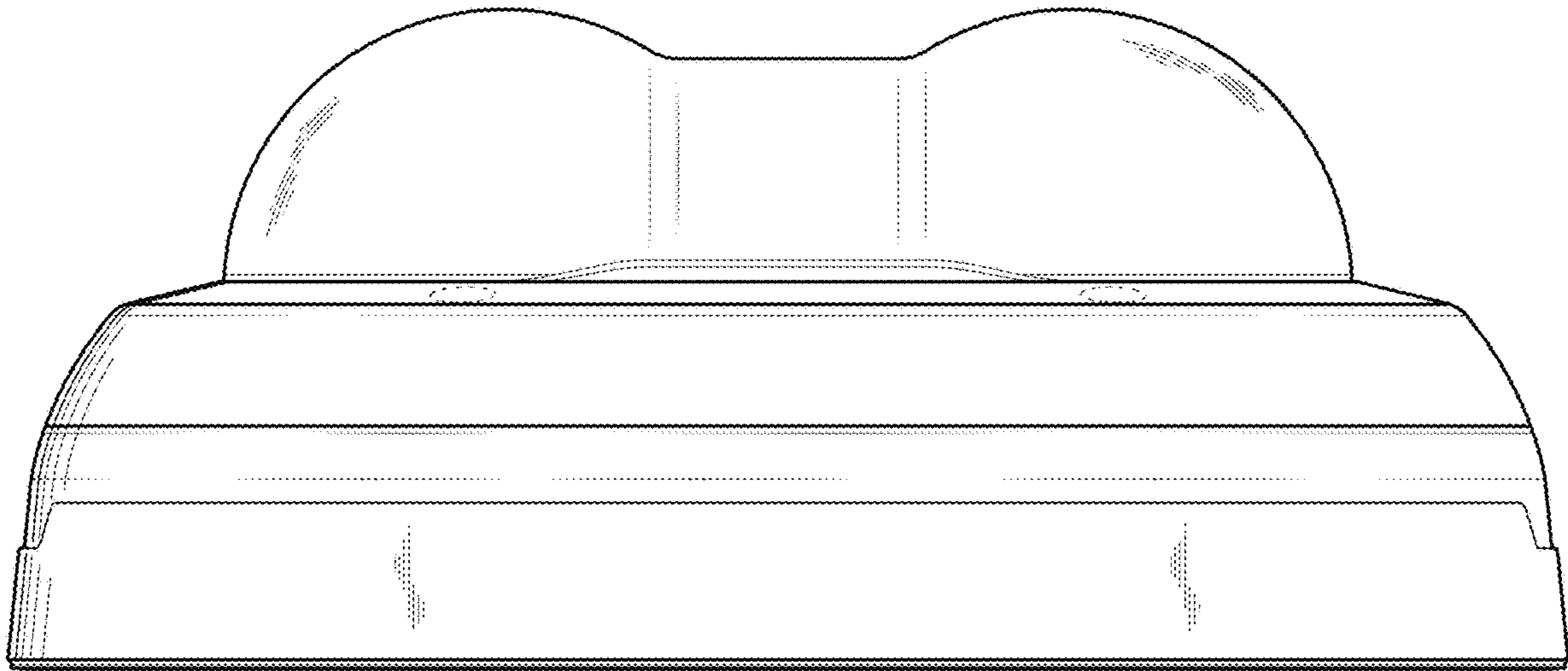


FIG. 2

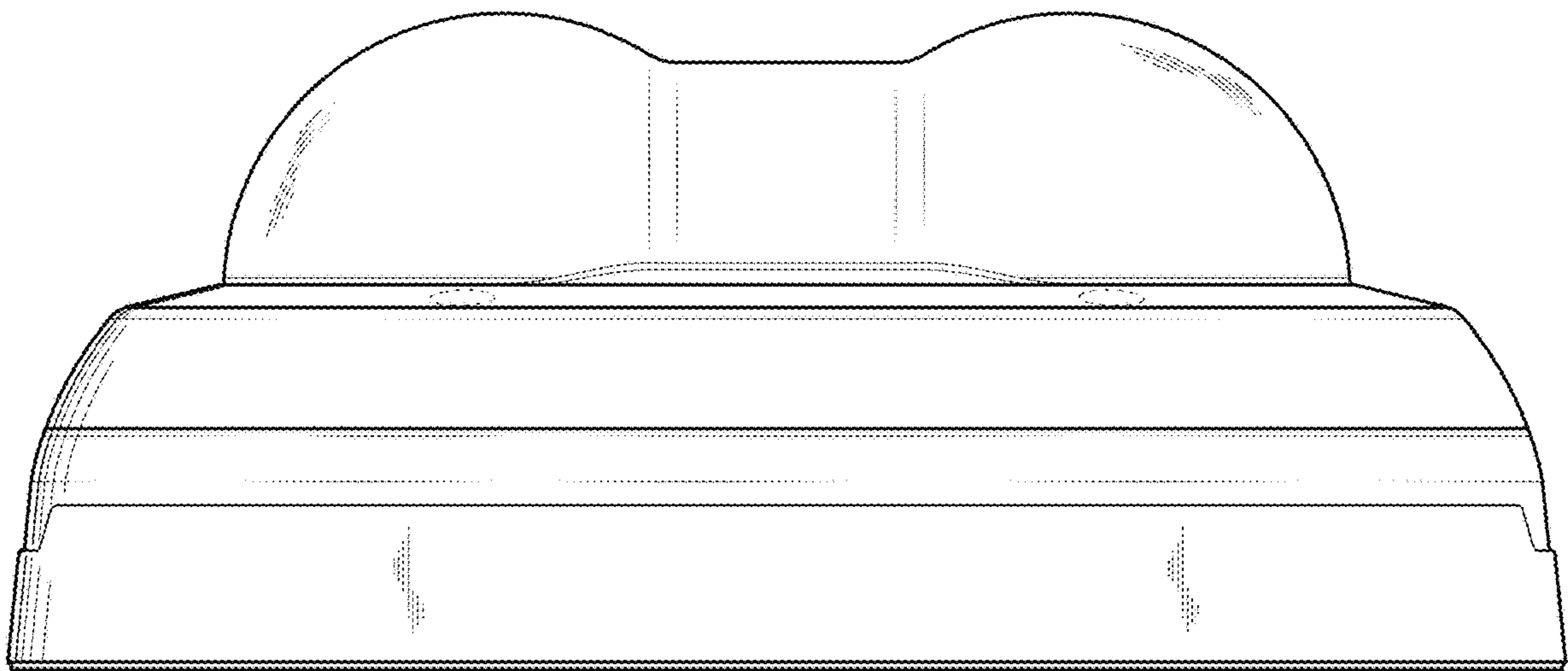


FIG. 3

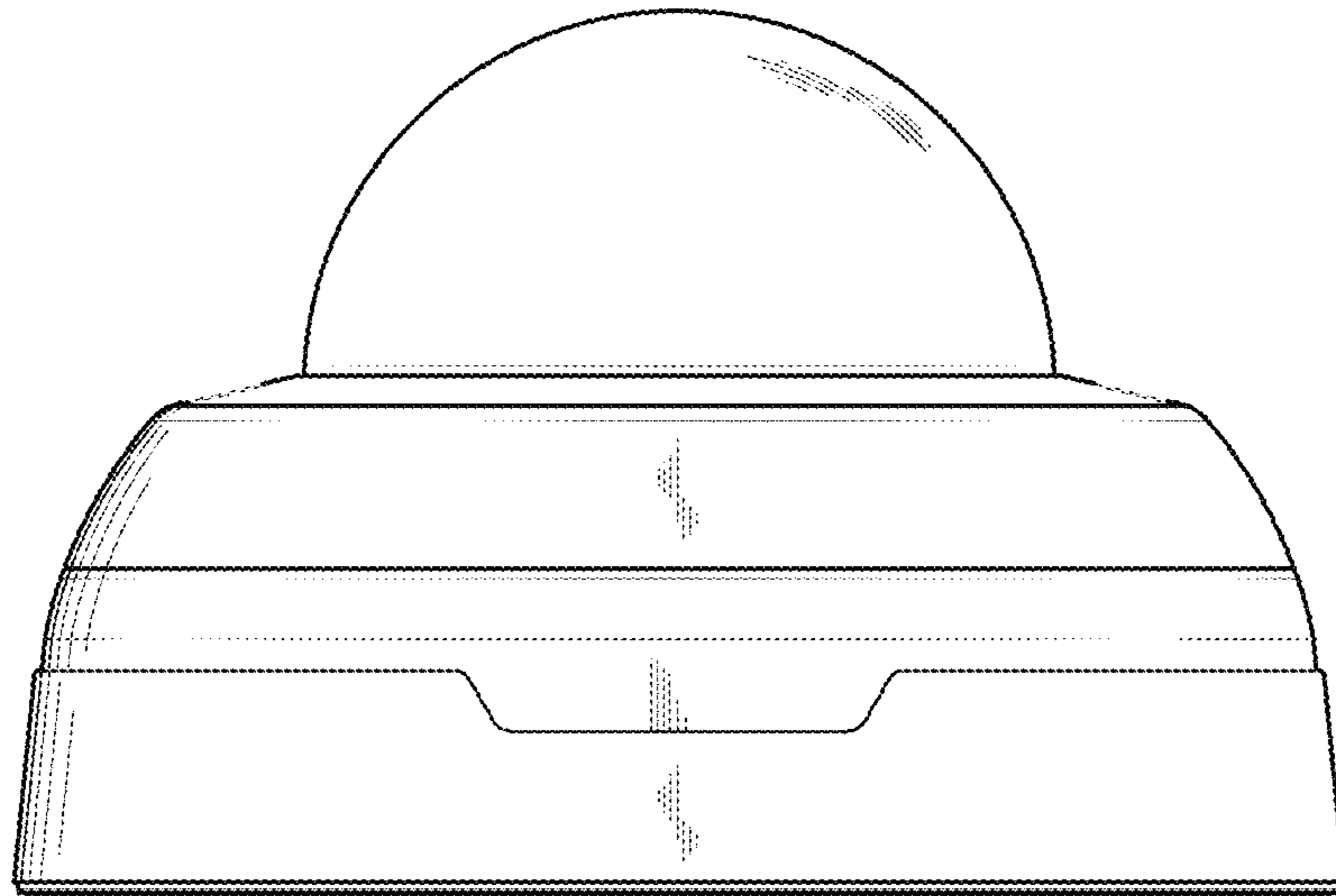


FIG. 4

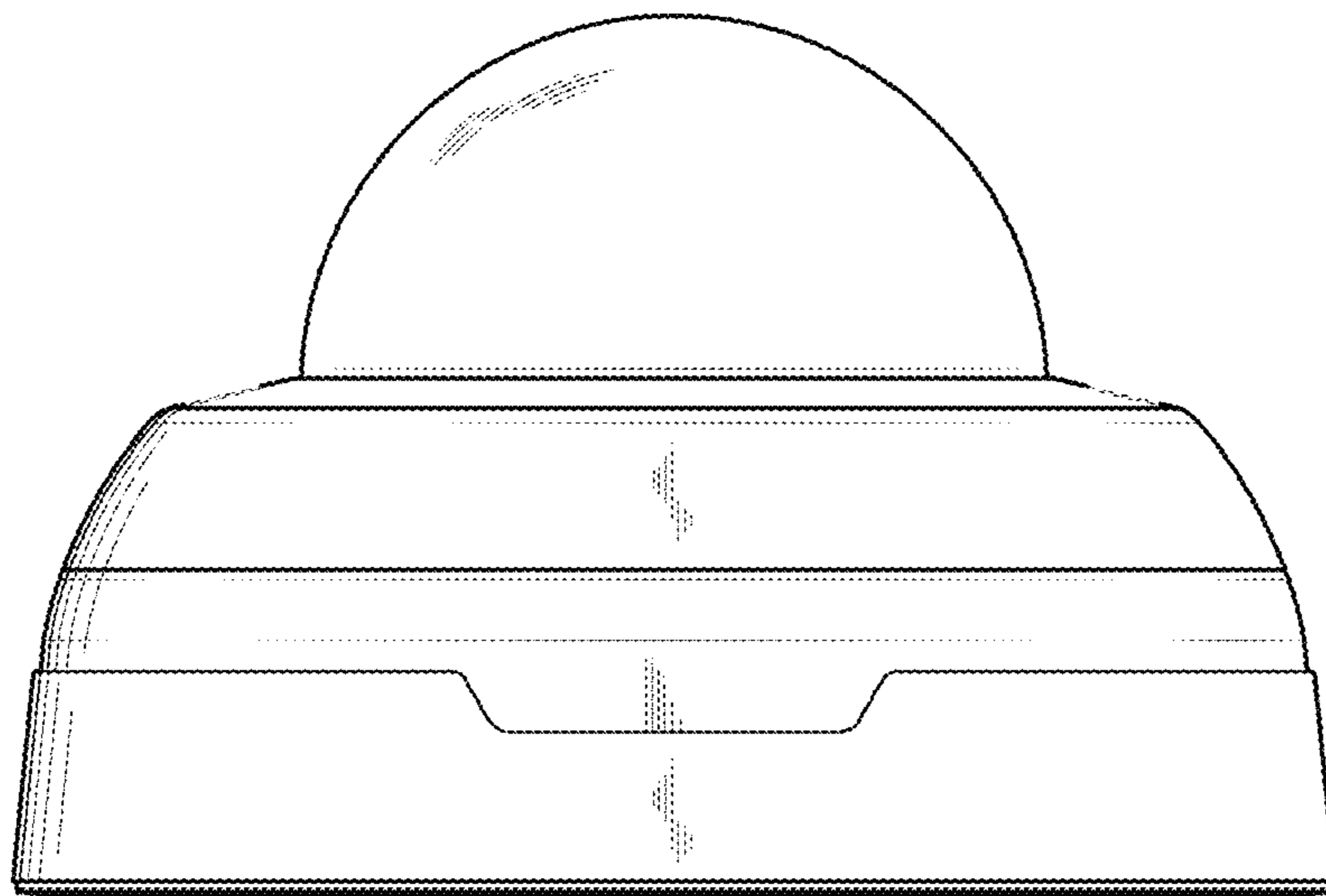


FIG. 5

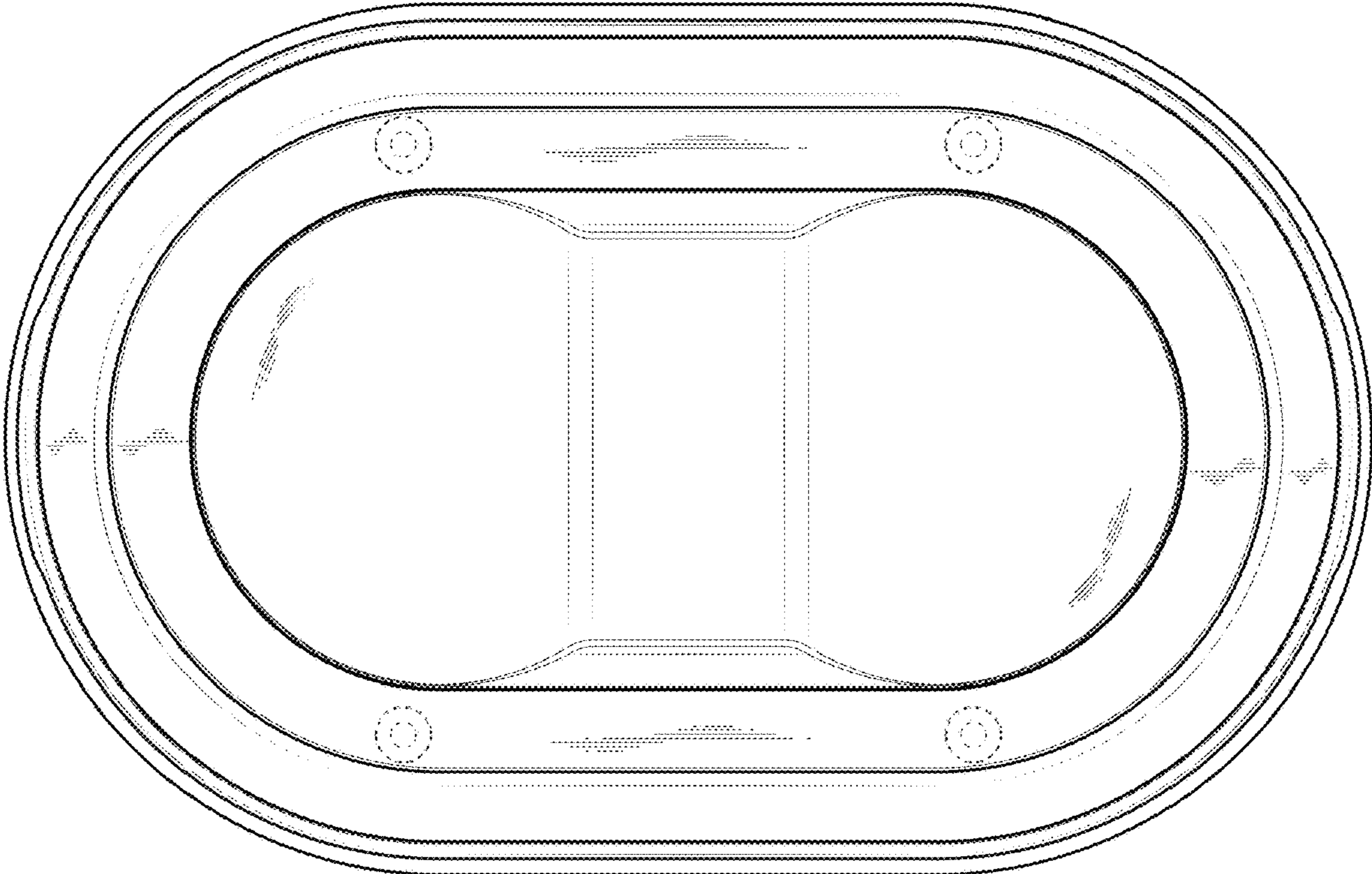


FIG. 6

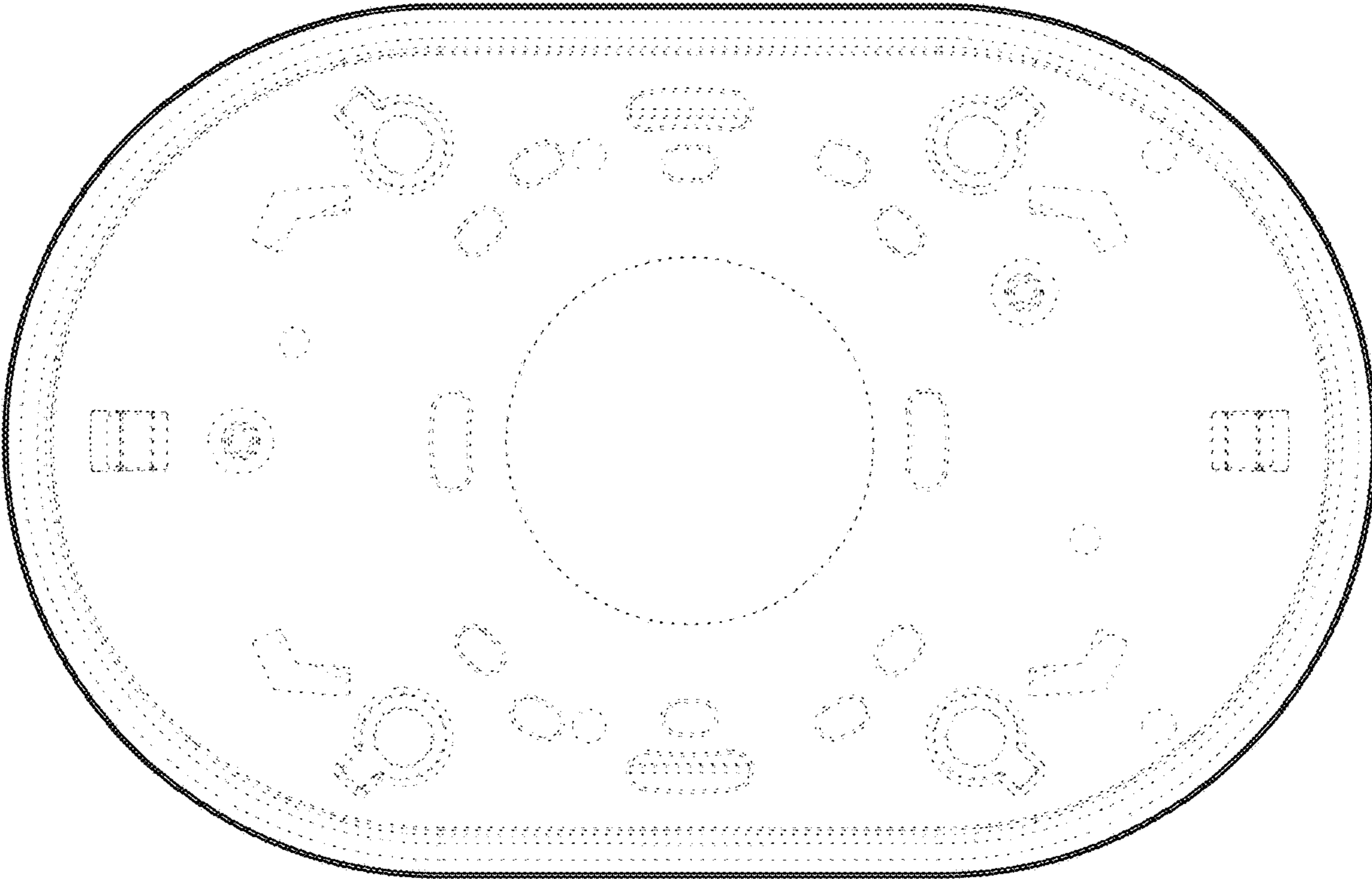


FIG. 7

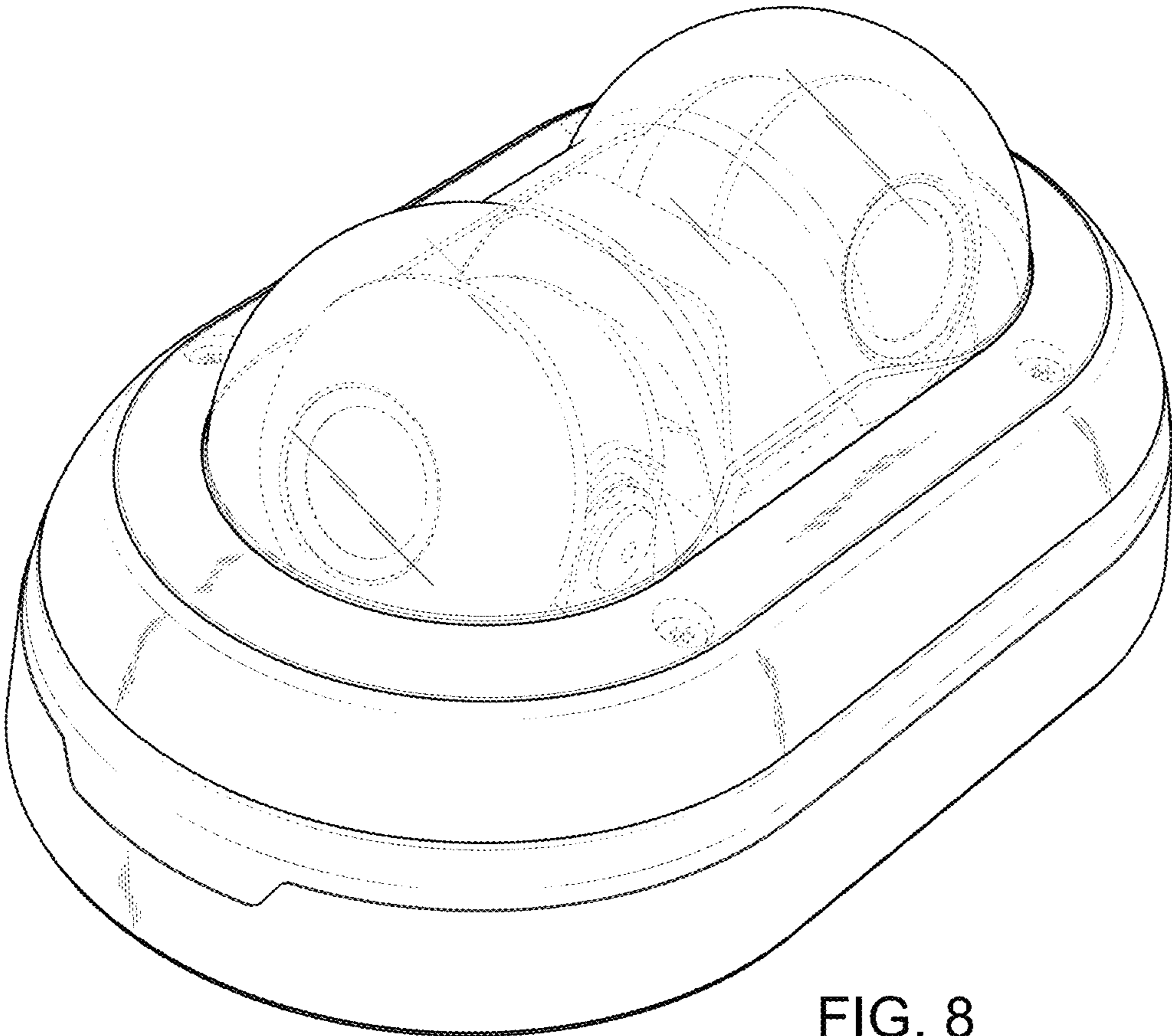


FIG. 8

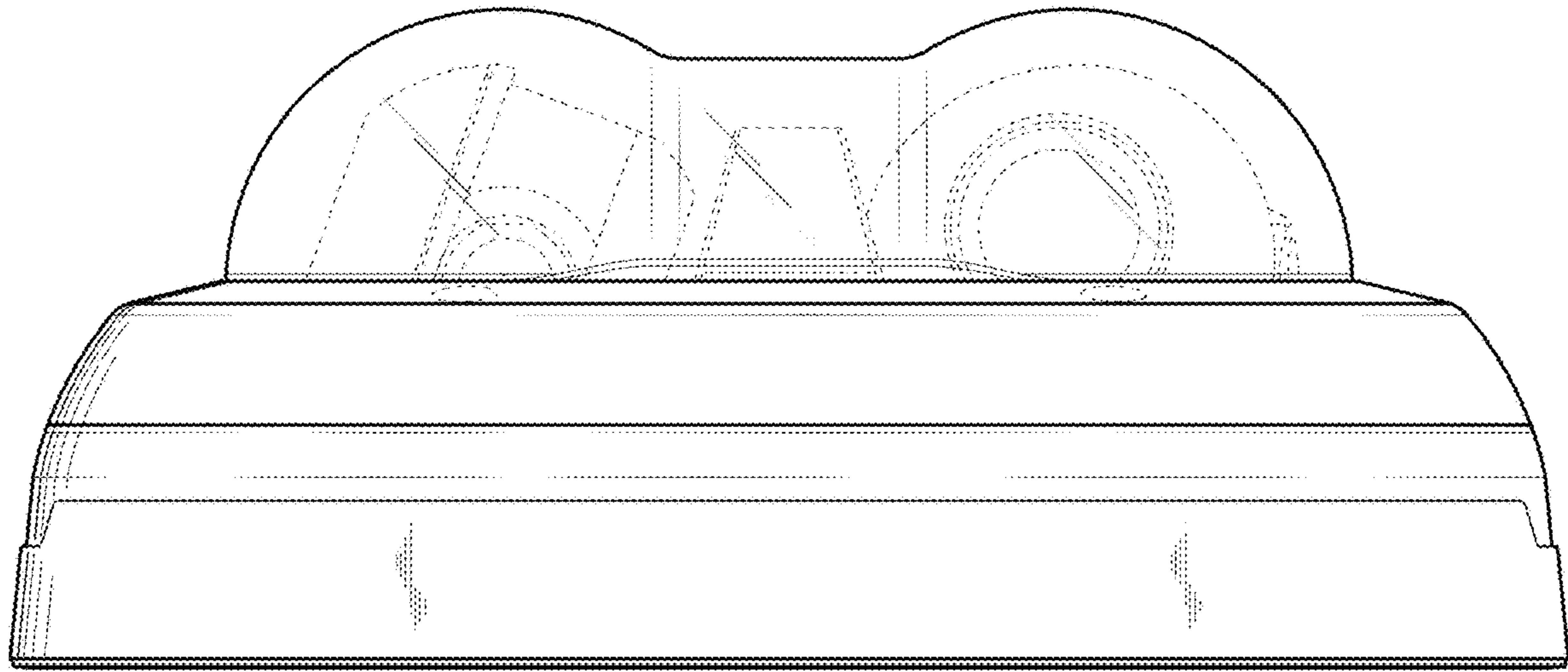


FIG. 9

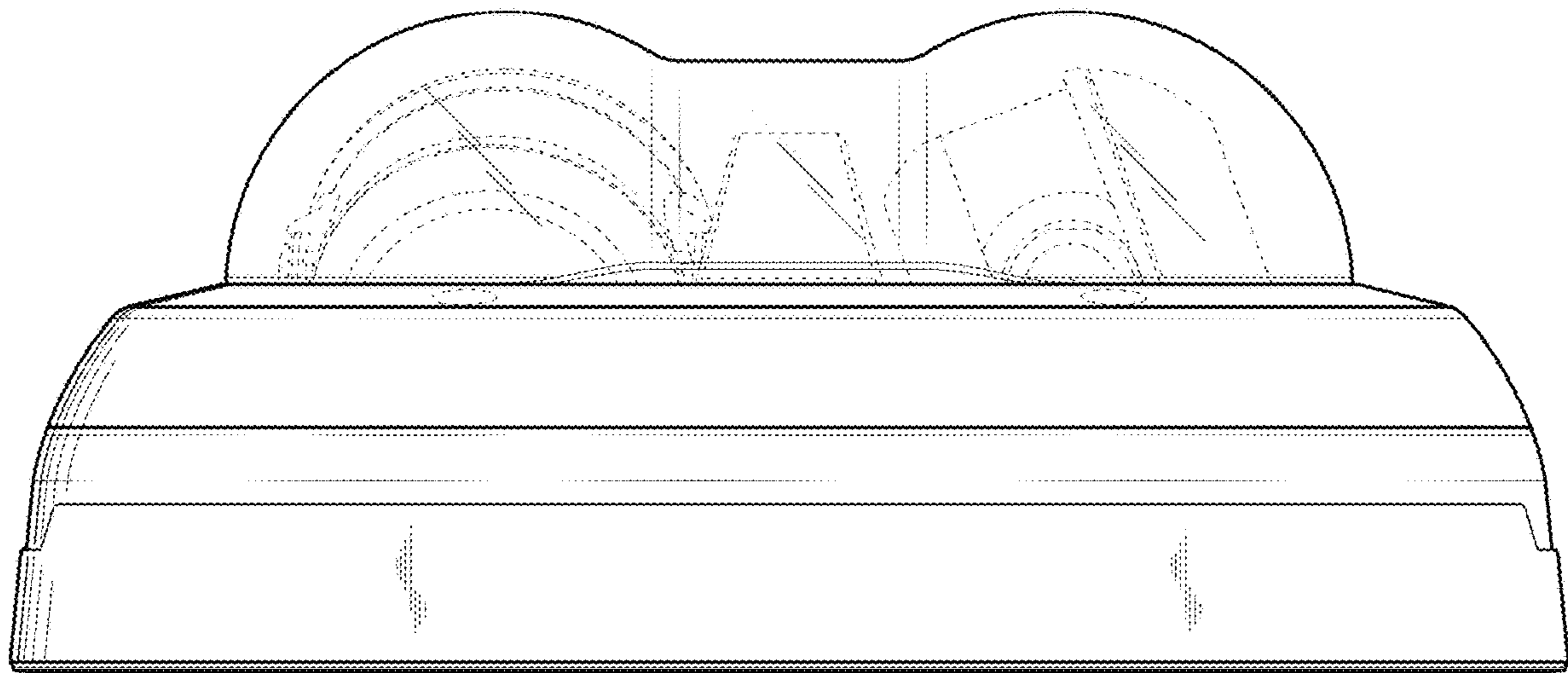


FIG. 10

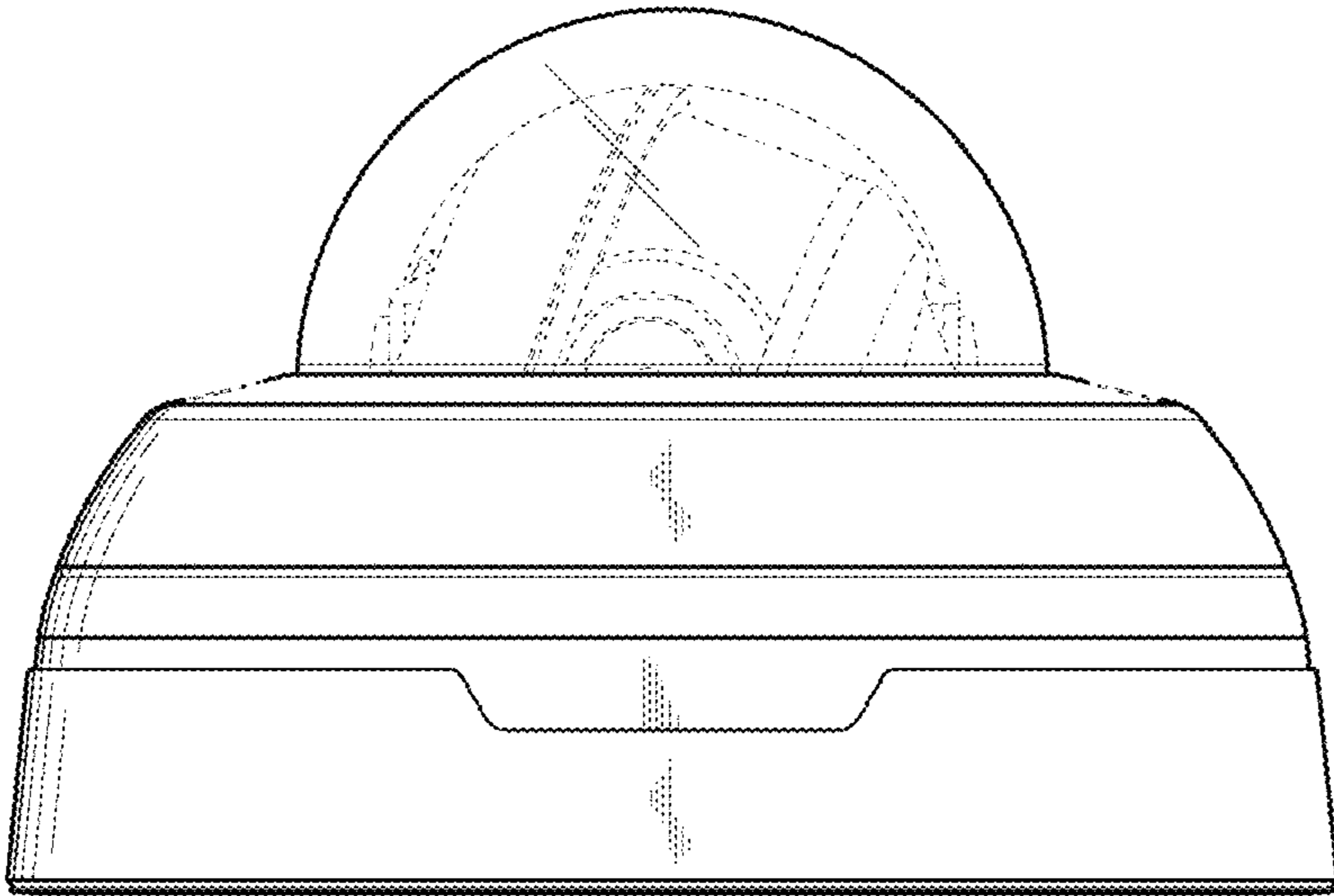


FIG. 11

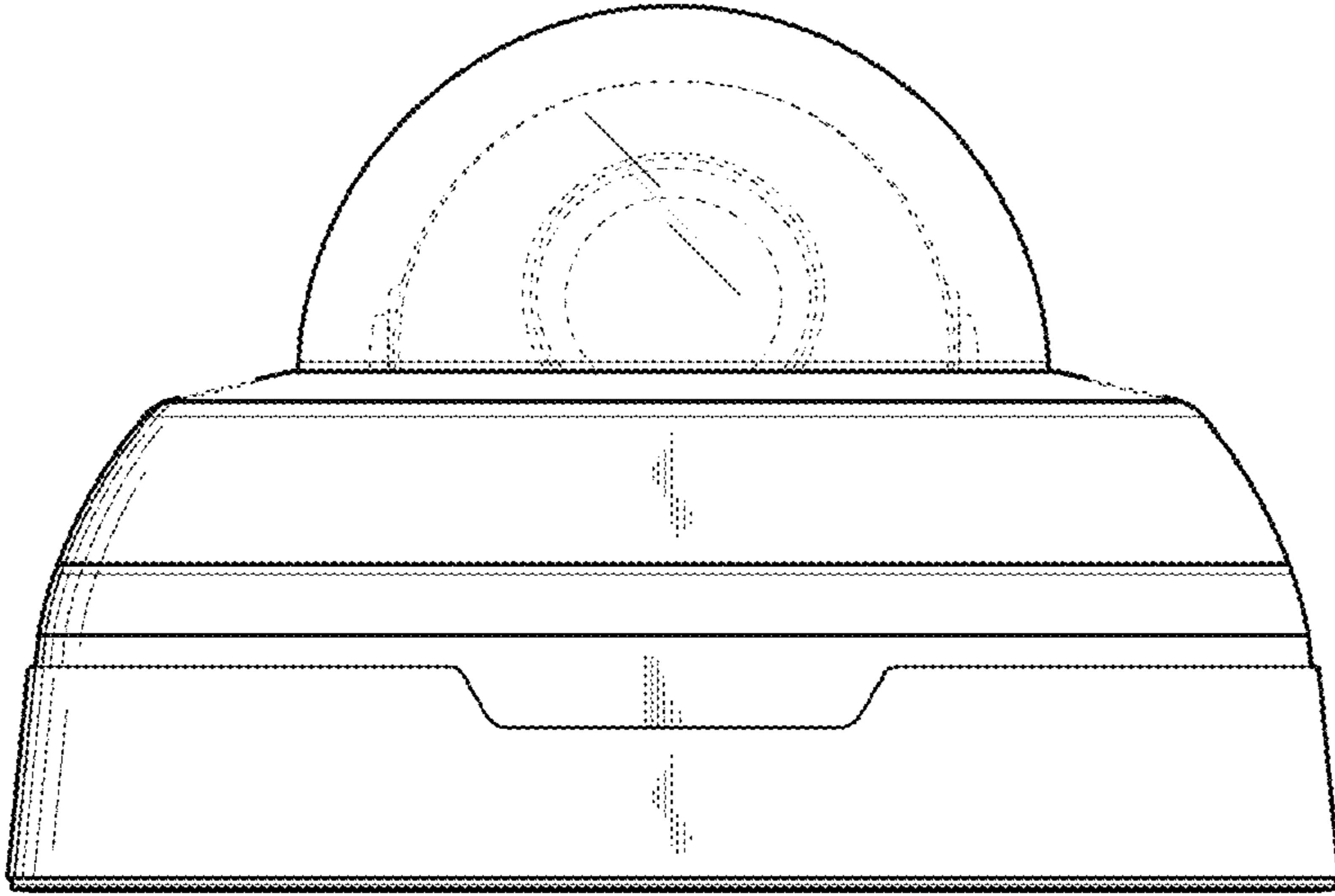


FIG. 12

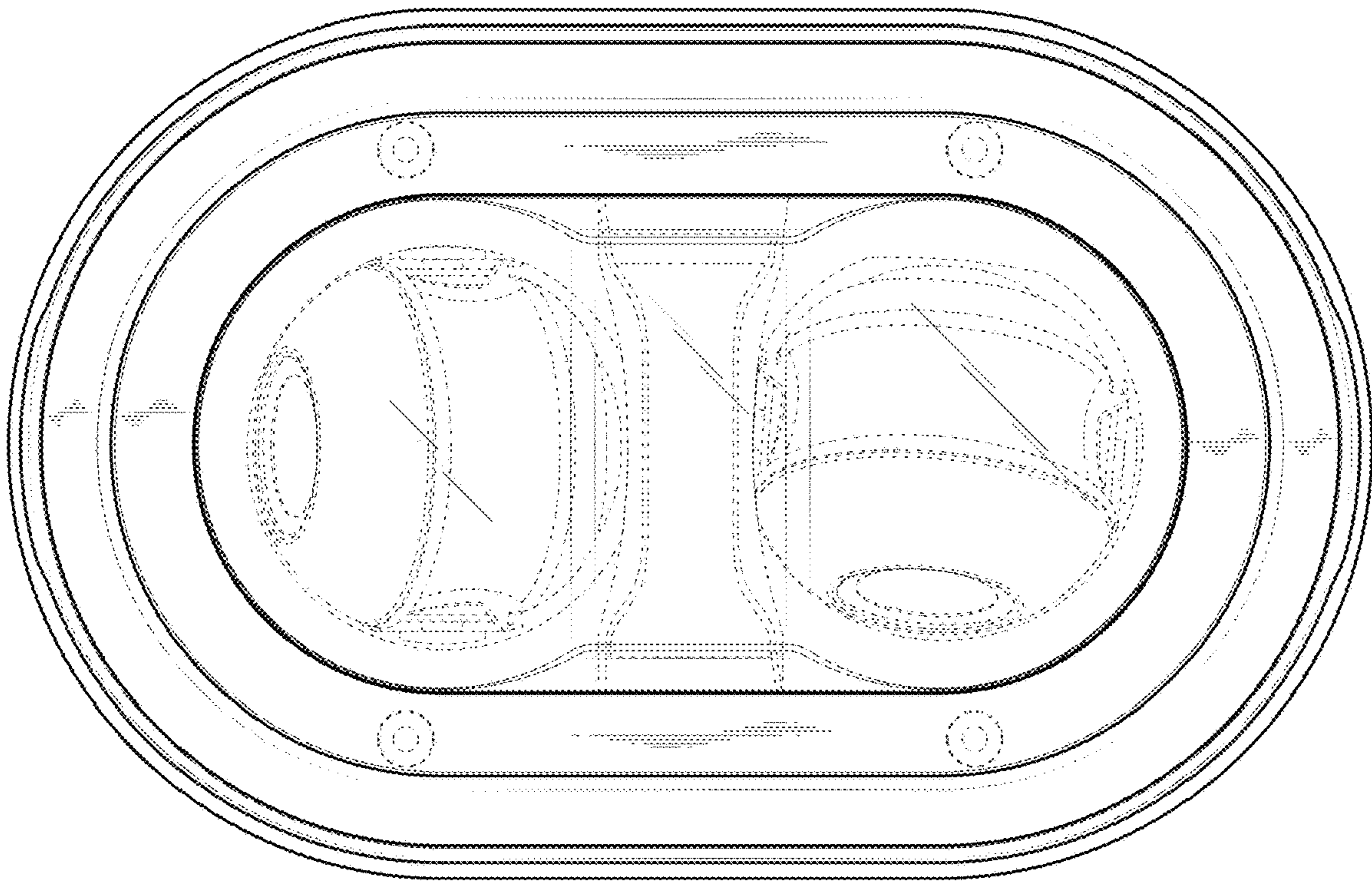


FIG. 13

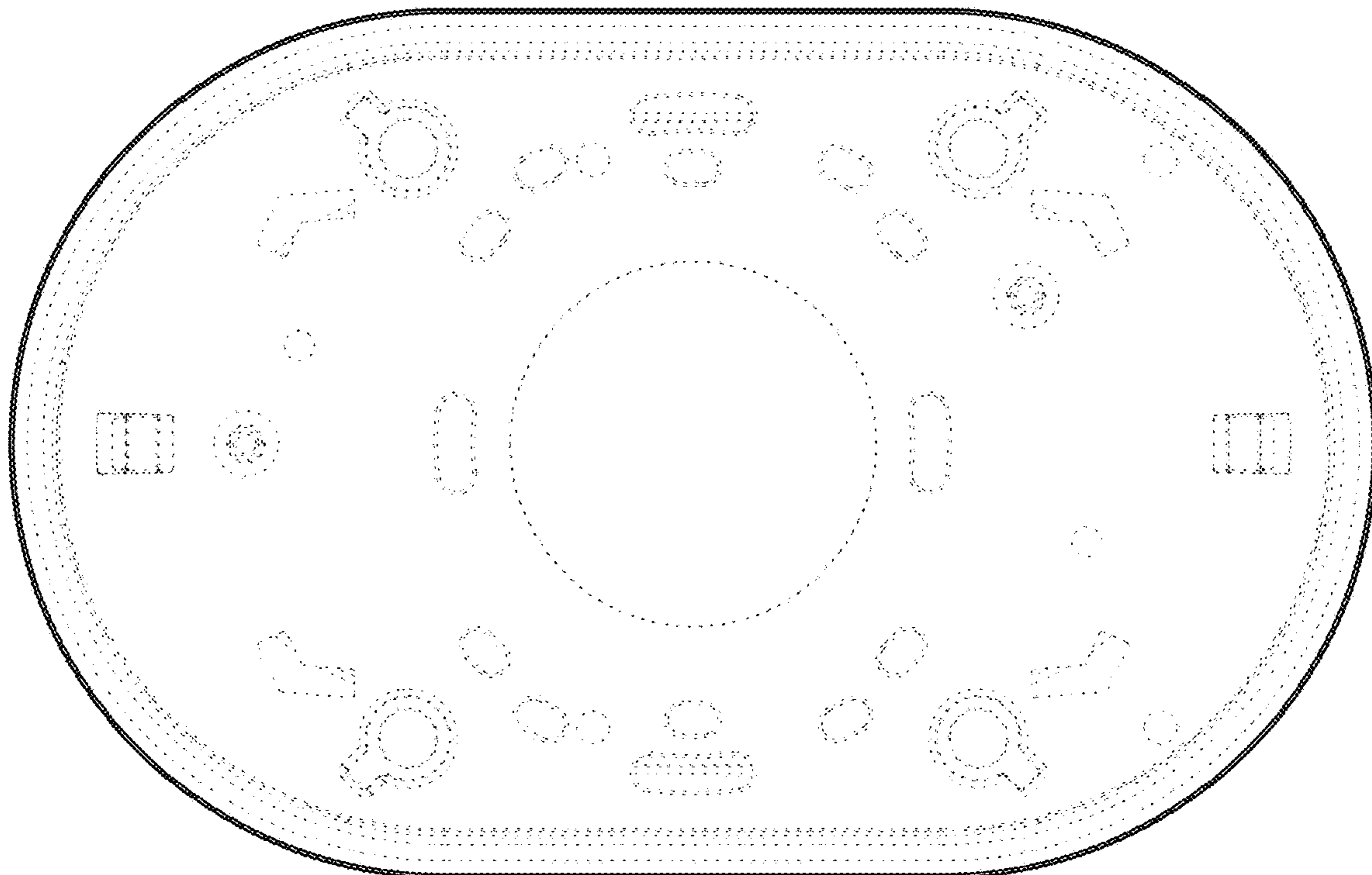


FIG. 14