



US00D958864S

(12) **United States Design Patent**  
**Costa Martins et al.**

(10) **Patent No.:** **US D958,864 S**  
(45) **Date of Patent:** **\*\* Jul. 26, 2022**

(54) **CAMERA**

FOREIGN PATENT DOCUMENTS

(71) Applicant: **Cisco Technology, Inc.**, San Jose, CA (US)

CN 303826643 \* 8/2016  
CN 304257780 \* 8/2017

(72) Inventors: **Shane Michael Costa Martins**, Moraga, CA (US); **Otto Williams**, Berkeley, CA (US); **Naoki Shimada**, Sunnyvale, CA (US)

OTHER PUBLICATIONS

(73) Assignee: **Cisco Technology, Inc.**, San Jose, CA (US)

“2K Webcam with Microphone & Privacy Cover, Walfont Web Camera for Computer PC Desktop Laptop, 95° Wide Angle USB Streaming Webcam Plug and Play Multi-Compatible for Video Conference Recording Game” from Amazon.com, first available May 10, 2020 from the internet <[https://www.amazon.com/360-Degree-Streaming-Microphone-Compatible-Conferencing/dp/B088CQWPY1/ref=asc\\_df\\_B088CQWPY1/?tag=hyprod-20&linkCode=df0&hvadid=459454121958&hvpos=&hvnetw=g&hvrand=15836289493779805430&hvpone=&hvptwo=&hvqmt=&hvdev=c&hvdvcmld=&hvlocint=&hvlocphy=9008165&hvtargid=pla-945559468735&psc=1](https://www.amazon.com/360-Degree-Streaming-Microphone-Compatible-Conferencing/dp/B088CQWPY1/ref=asc_df_B088CQWPY1/?tag=hyprod-20&linkCode=df0&hvadid=459454121958&hvpos=&hvnetw=g&hvrand=15836289493779805430&hvpone=&hvptwo=&hvqmt=&hvdev=c&hvdvcmld=&hvlocint=&hvlocphy=9008165&hvtargid=pla-945559468735&psc=1)>(Year: 2020).\*

(\*\*) Term: **15 Years**

(21) Appl. No.: **29/761,146**

(22) Filed: **Dec. 7, 2020**

(51) **LOC (13) Cl.** ..... **16-01**

(52) **U.S. Cl.**

USPC ..... **D16/200**; D16/202

(58) **Field of Classification Search**

USPC ..... D16/200–204, 207–208, 219, 218; D10/61, 63, 65, 70, 71, 104.1, 106.7; D14/203.1, 204, 209.1, 496, 497  
CPC ..... G03B 15/03; G03B 17/02; G03B 17/04; G03B 17/56; G03B 19/04; H04N 7/141; H04N 7/142; H04N 7/147; H04N 7/148; H04N 7/15; H04N 7/152; H04N 5/2251; H04N 5/2252; H04N 5/2253; H04N 5/2254; H04N 2101/00; H04N 2007/145  
See application file for complete search history.

(Continued)

*Primary Examiner* — Rosemary K Tarcza

*Assistant Examiner* — Lacey Chey Bowman

(74) *Attorney, Agent, or Firm* — Lee & Hayes, P.C.

(56) **References Cited**

U.S. PATENT DOCUMENTS

D664,579 S \* 7/2012 Tzeng ..... D16/202  
D675,660 S \* 2/2013 Su ..... D16/202  
D678,380 S \* 3/2013 Pardo ..... D16/202  
D680,569 S \* 4/2013 Lee ..... D16/202  
D682,332 S \* 5/2013 Wang ..... D16/202  
D685,015 S \* 6/2013 Wang ..... D16/202

(Continued)

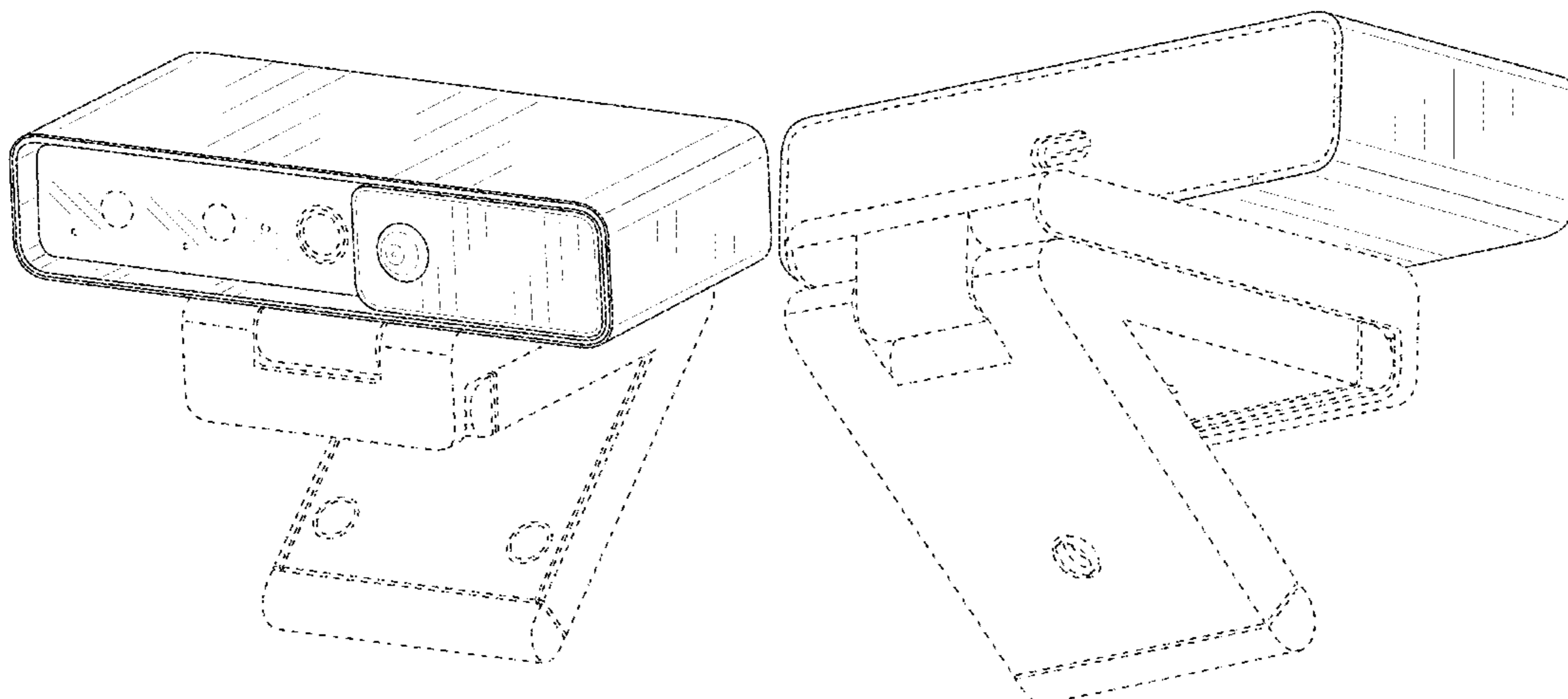
(57) **CLAIM**

The ornamental design for a camera, as shown and described.

**DESCRIPTION**

FIG. 1 is a top, front, right-side perspective view of a camera with a privacy shutter in an opened position; FIG. 2 is a bottom, back, left-side perspective view thereof; FIG. 3 is a front view thereof; FIG. 4 is a back view thereof; FIG. 5 is a right-side view thereof; FIG. 6 is a left-side view thereof; FIG. 7 is a top view thereof; FIG. 8 is a bottom view thereof; FIG. 9 is a top, front, right-side perspective view of the camera with the privacy shutter in a closed position; and, FIG. 10 is a front view thereof.

(Continued)



The dashed broken lines depict portions of the camera that form no part of the claimed design.

1 Claim, 10 Drawing Sheets

(56)

References Cited

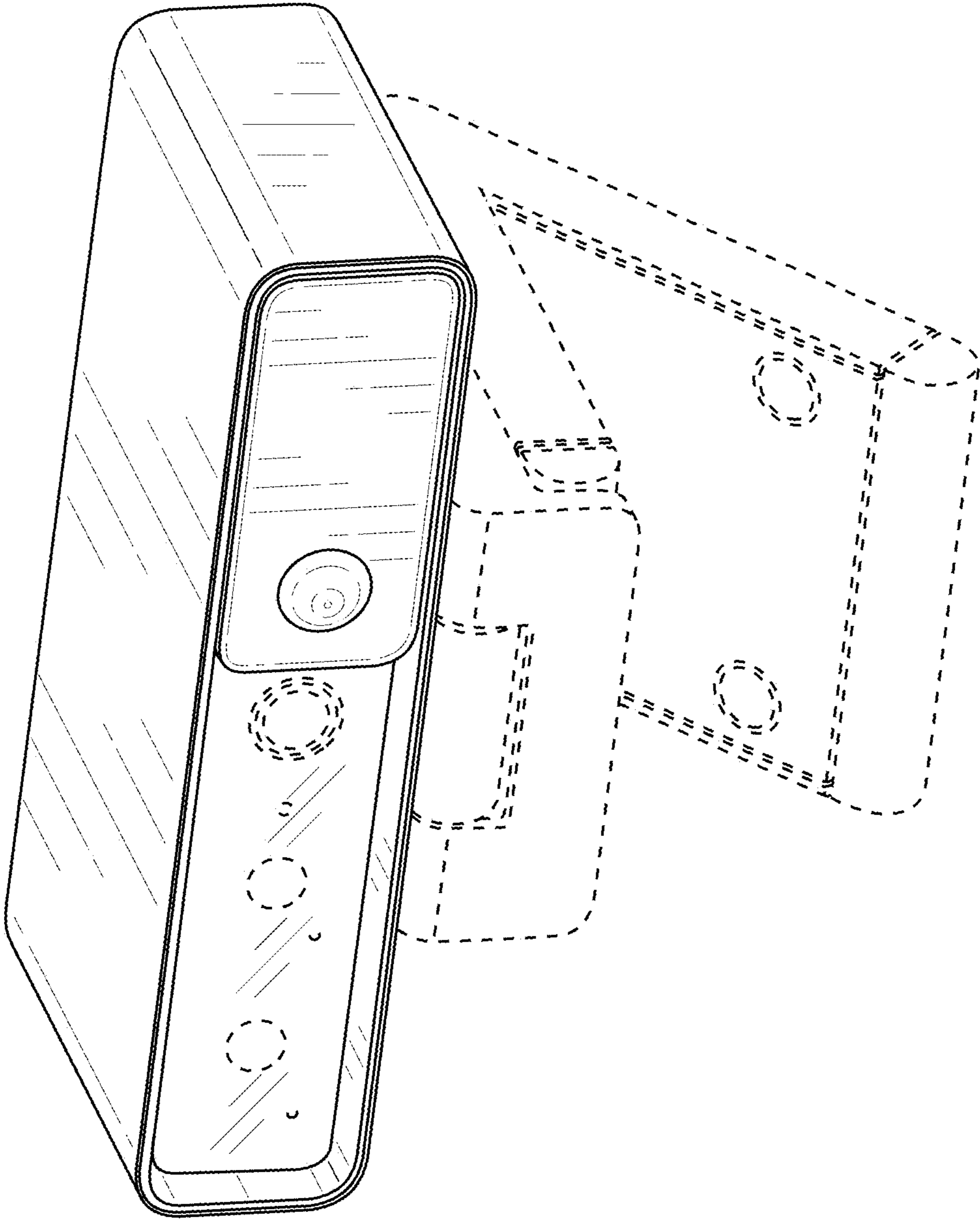
U.S. PATENT DOCUMENTS

D694,796 S	*	12/2013	Tsai	.....	D16/202
D709,117 S	*	7/2014	Gan	.....	D16/202
D725,171 S	*	3/2015	Mita	.....	D16/202
D745,586 S	*	12/2015	Chou	.....	D16/202
D815,171 S	*	4/2018	Cho	.....	D16/200
D870,790 S	*	12/2019	Depay	.....	D16/202
D907,091 S	*	1/2021	Lv	.....	D16/202
D909,445 S	*	2/2021	Voron	.....	D16/202
D929,482 S	*	8/2021	Livaudais	.....	D16/202

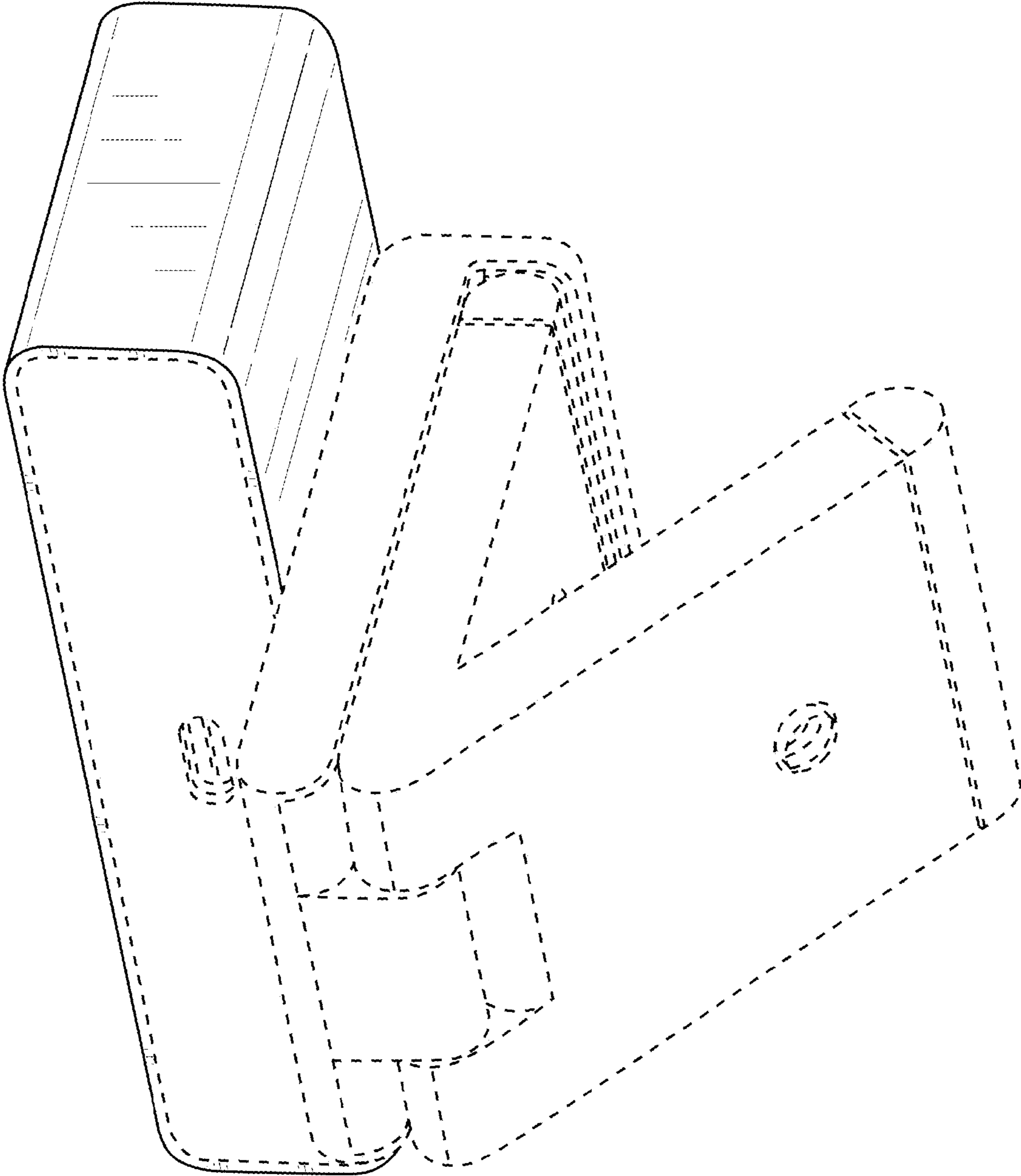
OTHER PUBLICATIONS

“Webcam HD 1080P with Microphone,Business Web Camera,Laptop Desktop Full HD Web Computer Camera,Plug and Play,for Zoom/Skype/Teams, Video Conferencing, Teaching, Streaming, and Gaming” from Amazon.com, first available Apr. 19, 2021 from the internet <[https://www.amazon.com/dp/B091Y49PMS/ref=sspa\\_dk\\_detail\\_5?pd\\_rd\\_i=B091Y49PMS&pd\\_rd\\_w=z80RB&pf\\_rd\\_p=54ed5474-54a8-4c7f-a88a-45f748d18166&pd\\_rd\\_wg=ttgDZ&pf\\_rd\\_r=FRPAC0CRFKAC7EZQDH13&pd\\_rd\\_r=4a2159ae-1b45-49ef-a841-c0a9b5b754c3&spLa=ZW5jcnlwdGVkUXVhbGlmaWVyPUExTTTFPOVNIUFIZWIIFJmVuY3J5cHRIZEIkPUEwMjk0NTkwMU5ZUEEwVFBKNURPWCZlbnNyeXB0ZWZWRBZEIkPUEwNjU3MDE3RFYzRIFPVkczSjVMJndpZGdldE5hbWU9c3BfZGV0YWI sX3RoZW1hdGljJmFjdGlvbj1jbGlja1JIZGIyZWNOJmRvTm90TG9nQ2xpY2s9dHJ1ZQ&th=1](https://www.amazon.com/dp/B091Y49PMS/ref=sspa_dk_detail_5?pd_rd_i=B091Y49PMS&pd_rd_w=z80RB&pf_rd_p=54ed5474-54a8-4c7f-a88a-45f748d18166&pd_rd_wg=ttgDZ&pf_rd_r=FRPAC0CRFKAC7EZQDH13&pd_rd_r=4a2159ae-1b45-49ef-a841-c0a9b5b754c3&spLa=ZW5jcnlwdGVkUXVhbGlmaWVyPUExTTTFPOVNIUFIZWIIFJmVuY3J5cHRIZEIkPUEwMjk0NTkwMU5ZUEEwVFBKNURPWCZlbnNyeXB0ZWZWRBZEIkPUEwNjU3MDE3RFYzRIFPVkczSjVMJndpZGdldE5hbWU9c3BfZGV0YWI sX3RoZW1hdGljJmFjdGlvbj1jbGlja1JIZGIyZWNOJmRvTm90TG9nQ2xpY2s9dHJ1ZQ&th=1)>(Year: 2021).\*

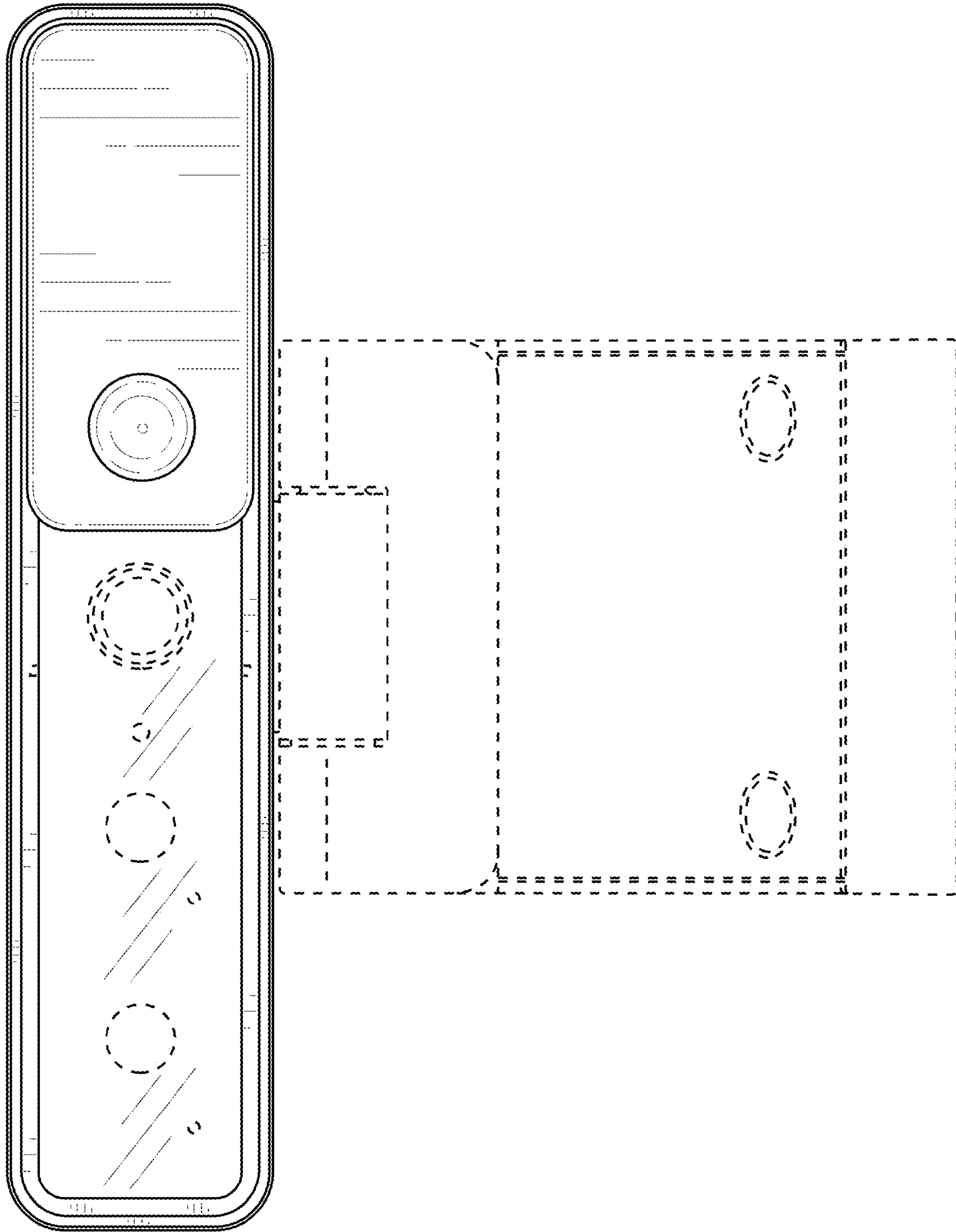
\* cited by examiner



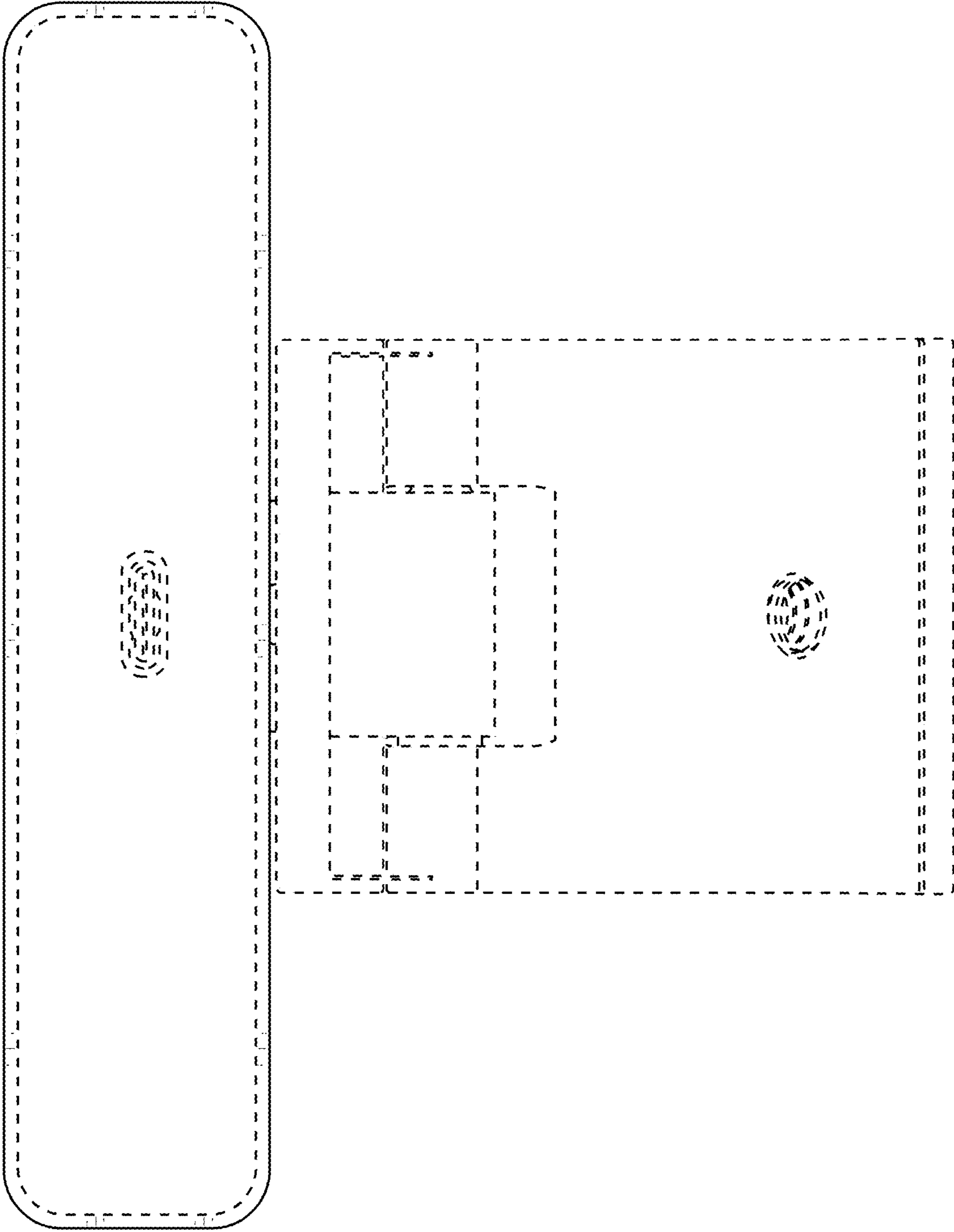
**FIG. 1**



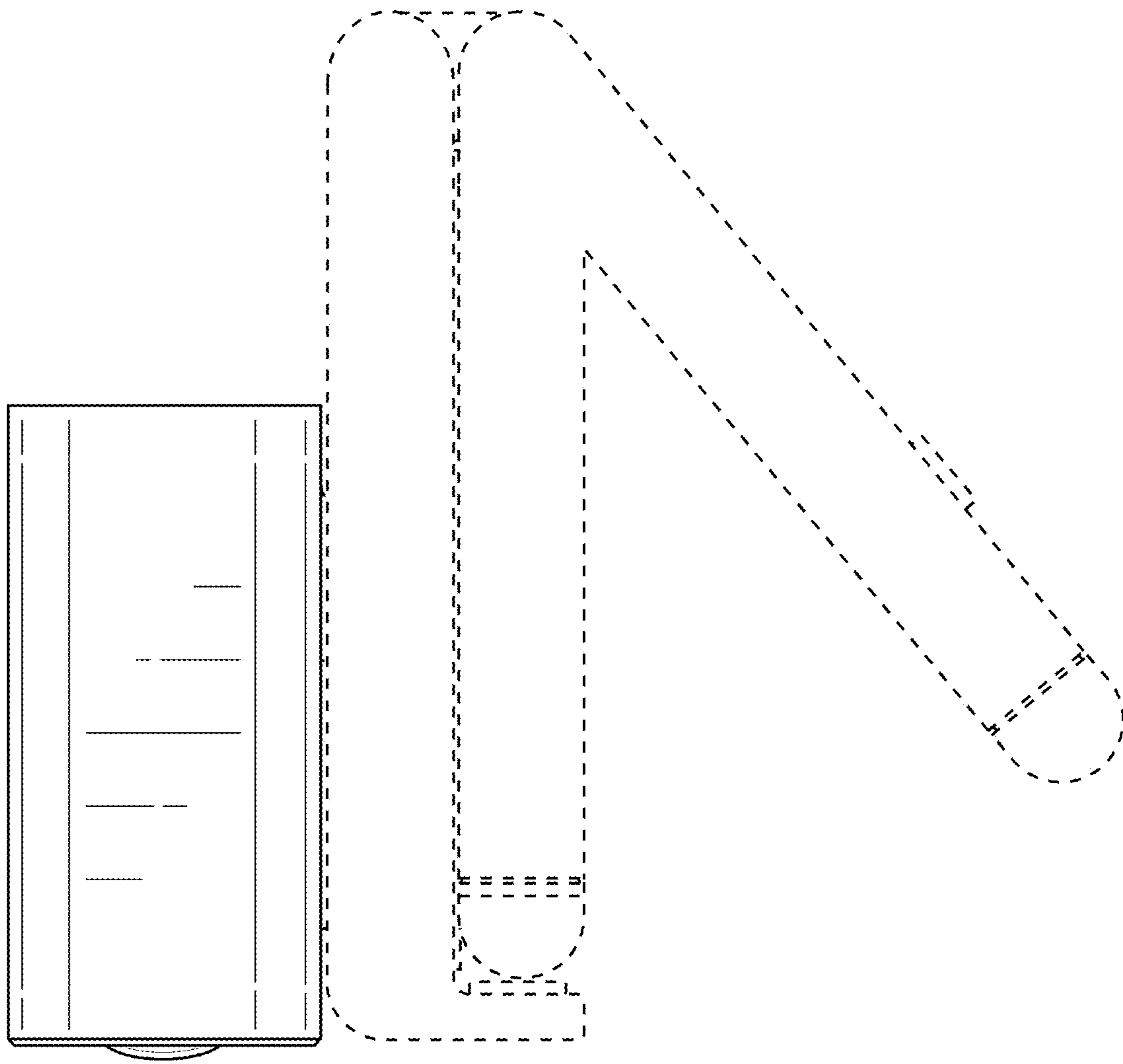
**FIG. 2**



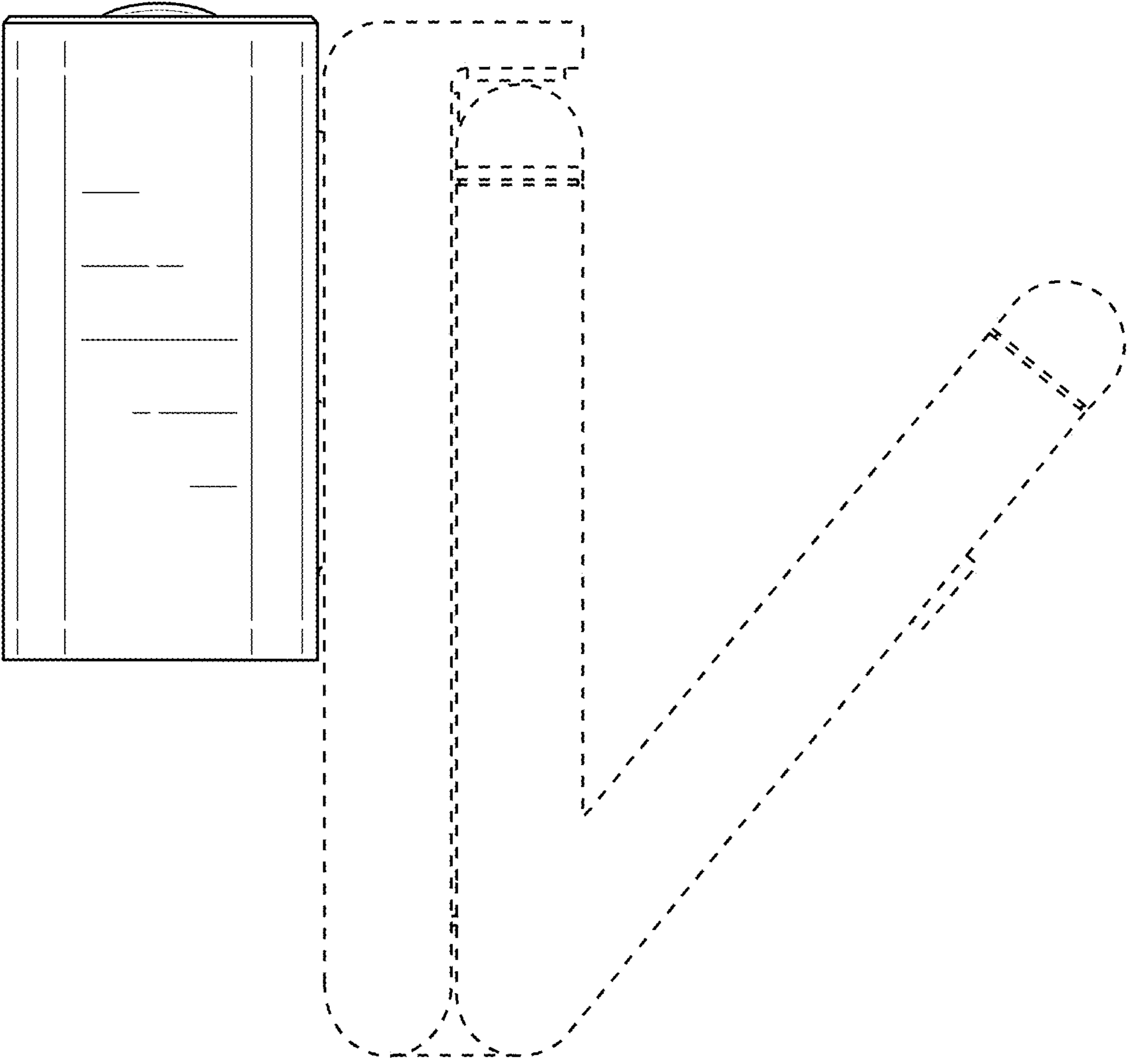
**FIG. 3**



**FIG. 4**

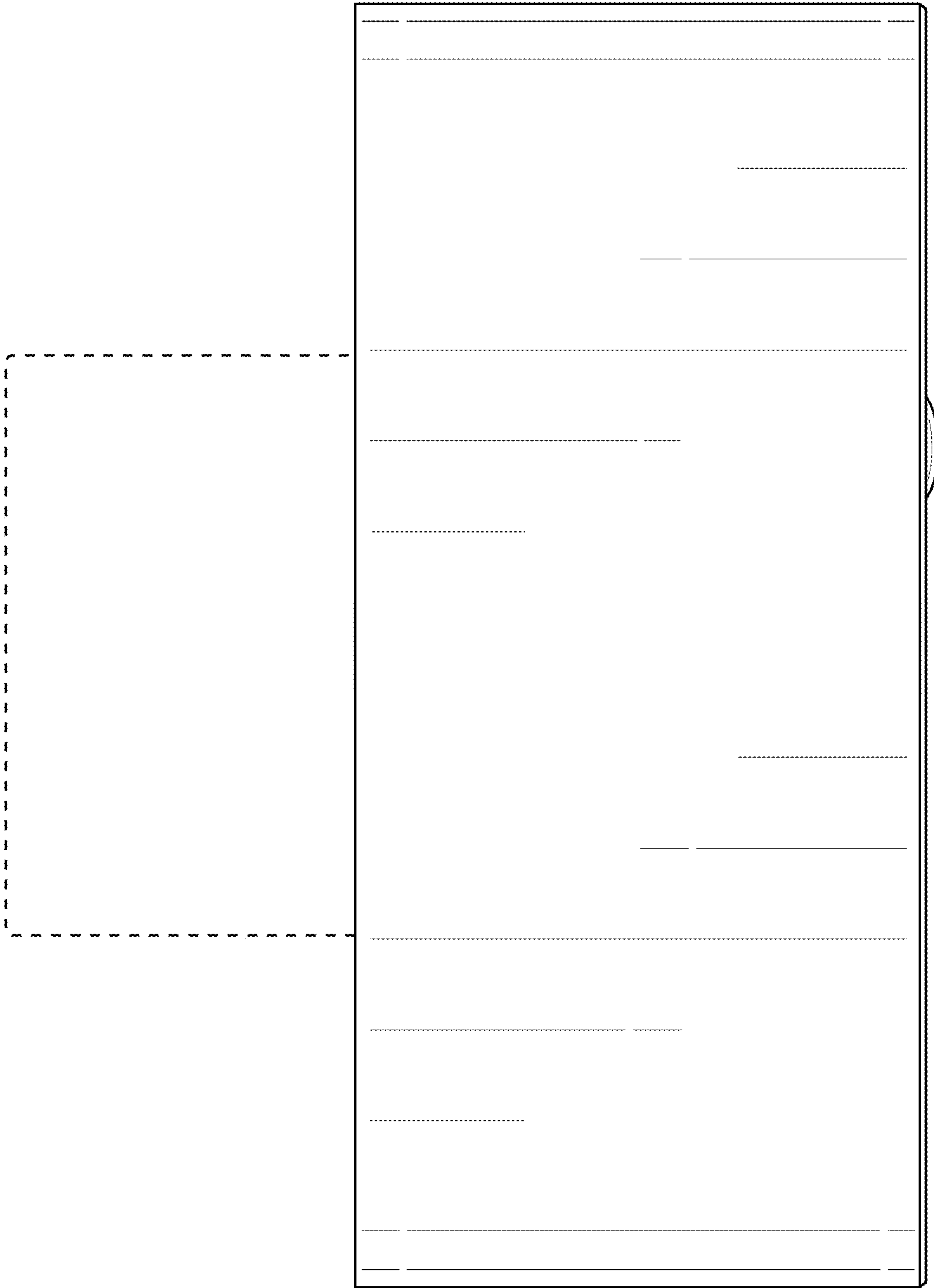


**FIG. 5**

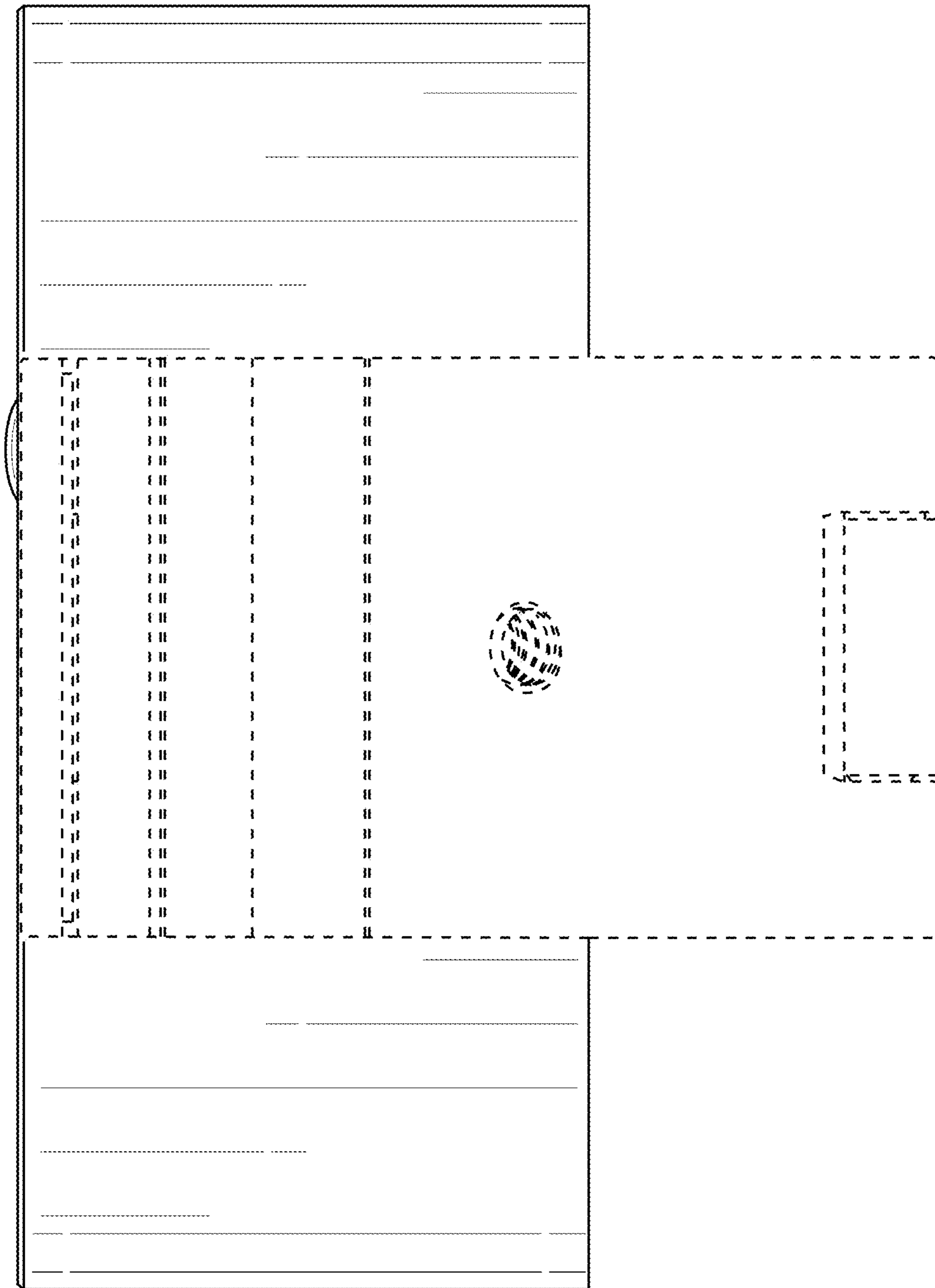


**FIG. 6**

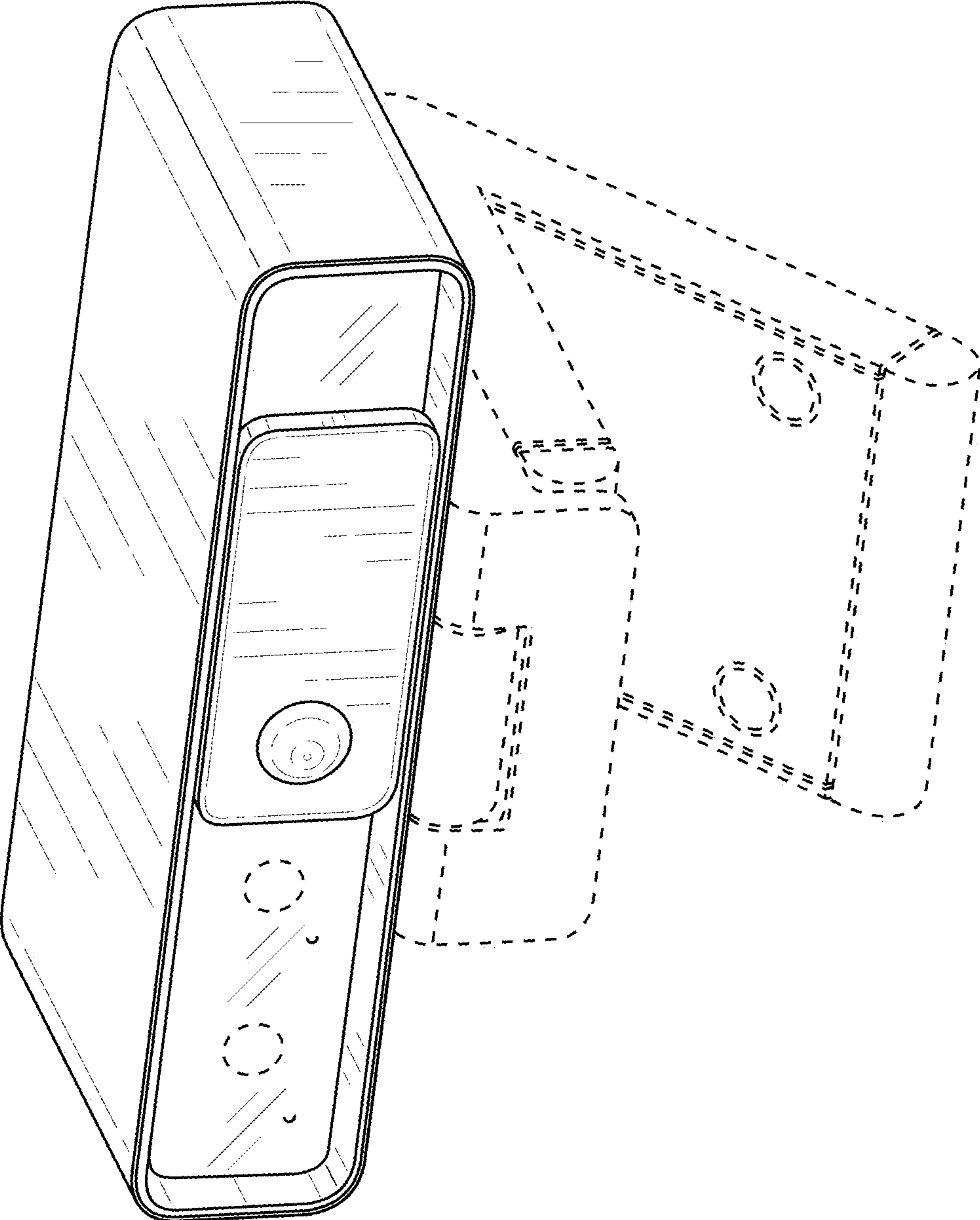




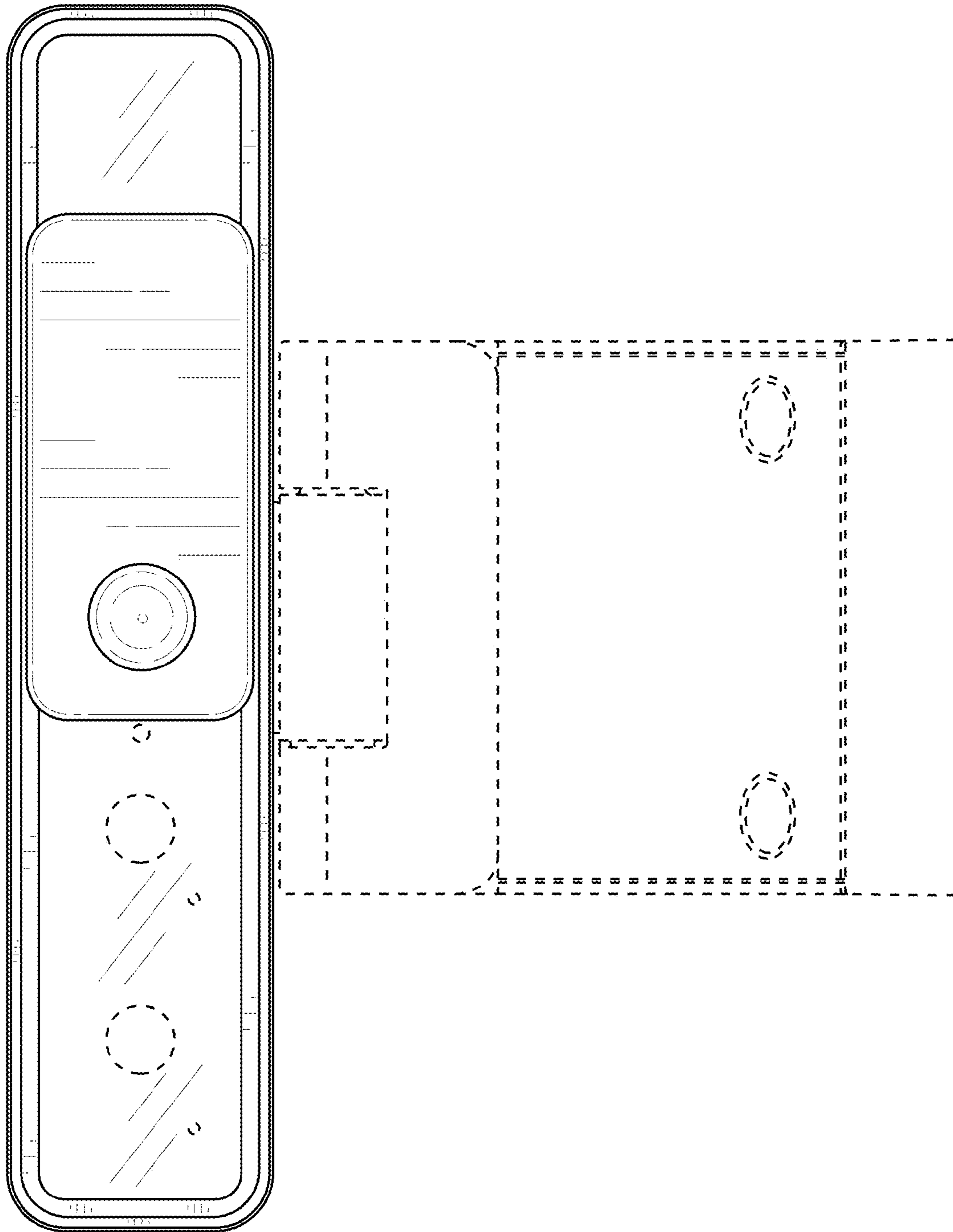
**FIG. 7**



**FIG. 8**



**FIG. 9**



**FIG. 10**