



US00D958861S

(12) **United States Design Patent**  
**Yao et al.**

(10) **Patent No.:** **US D958,861 S**  
(45) **Date of Patent:** **\*\* Jul. 26, 2022**

(54) **ROBOT**

(71) Applicant: **BEIJING ORION STAR TECHNOLOGY CO., LTD.**, Beijing (CN)

(72) Inventors: **Hechun Yao**, Beijing (CN); **Xiaoying Liu**, Beijing (CN)

(73) Assignee: **BEIJING ORION STAR TECHNOLOGY CO., LTD.**, Beijing (CN)

(\*\*) Term: **15 Years**

(21) Appl. No.: **29/753,666**

(22) Filed: **Oct. 1, 2020**

(30) **Foreign Application Priority Data**

Apr. 3, 2020 (CN) ..... 202030127534.7

(51) **LOC (13) Cl.** ..... **15-99**

(52) **U.S. Cl.**  
USPC ..... **D15/199**

(58) **Field of Classification Search**  
USPC ..... D12/1, 308; D14/900-902; D15/14, 17, D15/18, 199; D21/398, 424, 456, 467, D21/493, 495, 533-539, 578, 579, 585, D21/593, 594; D32/21  
CPC ..... B25J 9/0003; B25J 11/008; B25J 5/007; B25J 9/1697; G06F 19/3418; G05D 2201/0207; G05D 2201/0208; Y10S 901/01; Y10S 901/46

See application file for complete search history.

(56) **References Cited**

**U.S. PATENT DOCUMENTS**

D549,756 S \* 8/2007 Park ..... D15/199  
D559,288 S \* 1/2008 Matsuda ..... D15/199  
D563,443 S \* 3/2008 Ahn ..... D15/199

D594,492 S \* 6/2009 Stratton ..... D15/199  
D675,656 S \* 2/2013 Sutherland ..... D15/199  
D701,256 S \* 3/2014 Song ..... D15/199  
D719,620 S \* 12/2014 Clerc ..... B25J 5/007  
D21/578  
D725,166 S \* 3/2015 Paik ..... D15/199  
D725,167 S \* 3/2015 Song ..... D15/199  
D726,836 S \* 4/2015 Song ..... D21/578

(Continued)

*Primary Examiner* — Michael C Stout

*Assistant Examiner* — Fritzgerald L Butac

(74) *Attorney, Agent, or Firm* — Osha Bergman Watanabe & Burton LLP

(57) **CLAIM**

The ornamental design for a robot, as shown and described.

**DESCRIPTION**

The file of this patent contains at least one drawing executed in color. Copies of this patent with color drawings will be provided by the Office upon request and payment of the necessary fee.

FIG. 1 is a front elevation view of a first embodiment of a robot;

FIG. 2 is a rear elevation view thereof;

FIG. 3 is a left side elevation view thereof;

FIG. 4 is a right side elevation view thereof;

FIG. 5 is a top plan view thereof;

FIG. 6 is a first perspective view thereof;

FIG. 7 is a second perspective view thereof;

FIG. 8 is a front elevation view of a second embodiment of a robot;

FIG. 9 is a rear elevation view thereof;

FIG. 10 is a left side elevation view thereof;

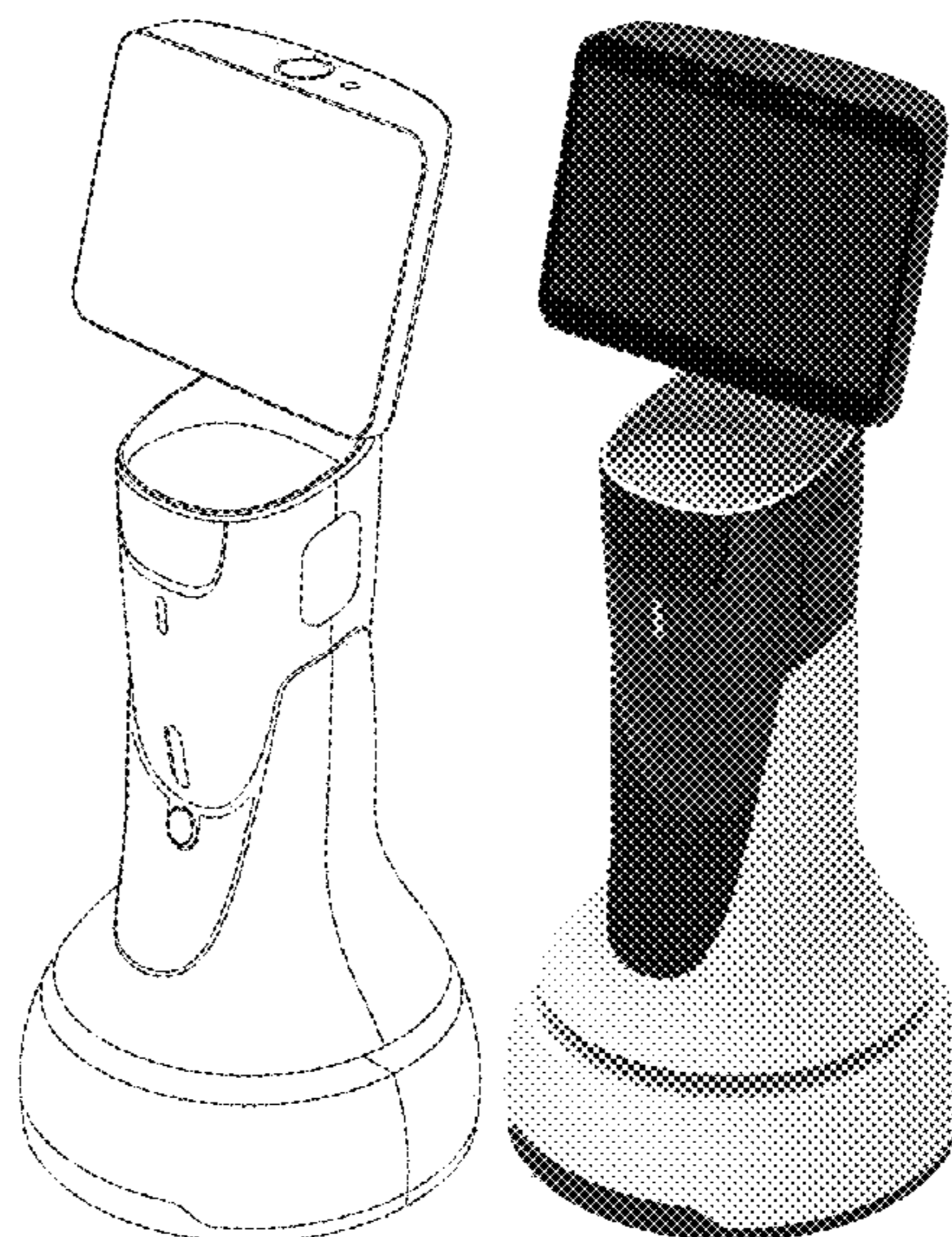
FIG. 11 is a right side elevation view thereof;

FIG. 12 is a top plan view thereof;

FIG. 13 is a first perspective view thereof; and,

FIG. 14 is a second perspective view thereof.

**1 Claim, 12 Drawing Sheets**  
**(6 of 12 Drawing Sheet(s) Filed in Color)**



(56)

**References Cited**

U.S. PATENT DOCUMENTS

D735,258 S *	7/2015	Jang .....	D15/199
D766,644 S *	9/2016	Huang .....	D7/306
D781,945 S *	3/2017	Uno .....	D15/199
D793,145 S *	8/2017	Huang .....	D7/306
D802,040 S *	11/2017	Canoso .....	D15/199
D808,601 S *	1/2018	Luo .....	D32/21
D809,722 S *	2/2018	Luo .....	D32/21
D810,167 S *	2/2018	Yang .....	D15/199
D810,800 S *	2/2018	Wang .....	D15/199
D811,458 S *	2/2018	Wang .....	D15/199
D813,281 S *	3/2018	Kittmann .....	D15/199
D849,813 S *	5/2019	Sutherland .....	D15/199
D866,684 S *	11/2019	Fruh .....	D21/578
D909,495 S *	2/2021	Lee .....	D21/578
D919,717 S *	5/2021	Paul .....	D21/578

\* cited by examiner

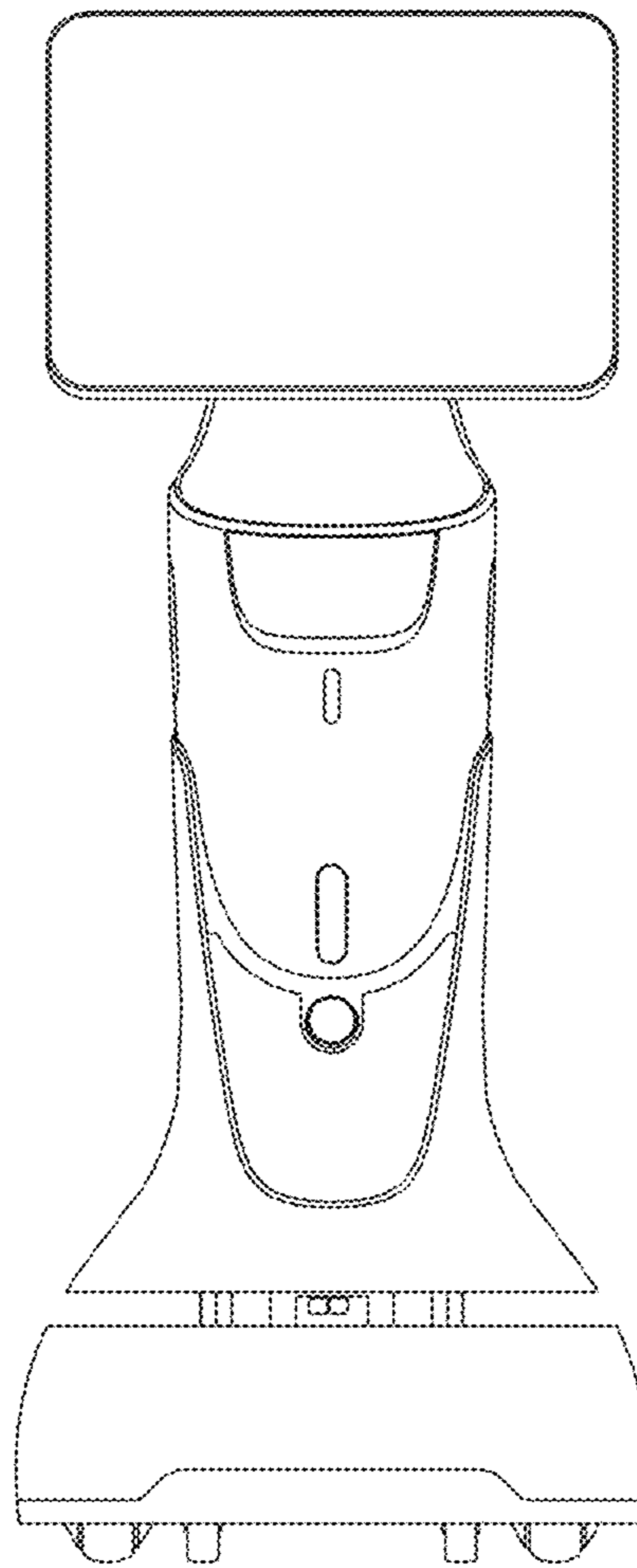


FIG. 1

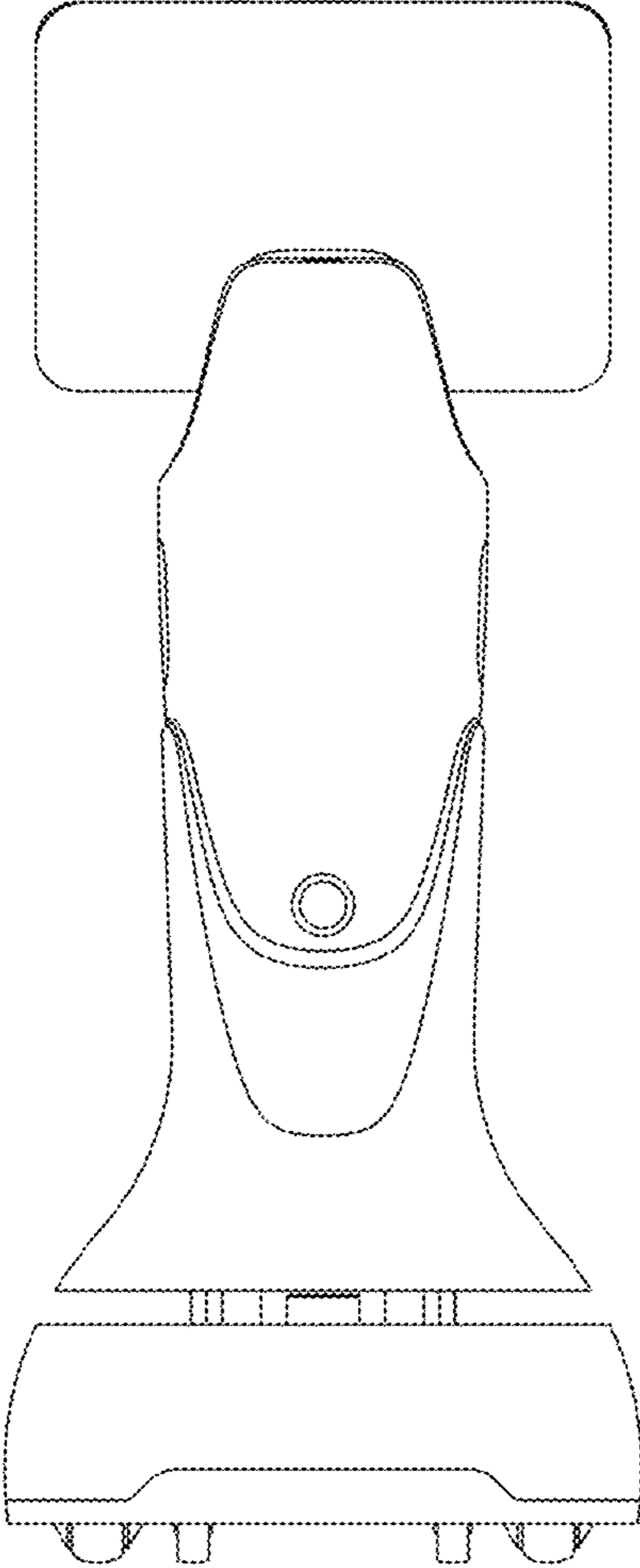


FIG. 2

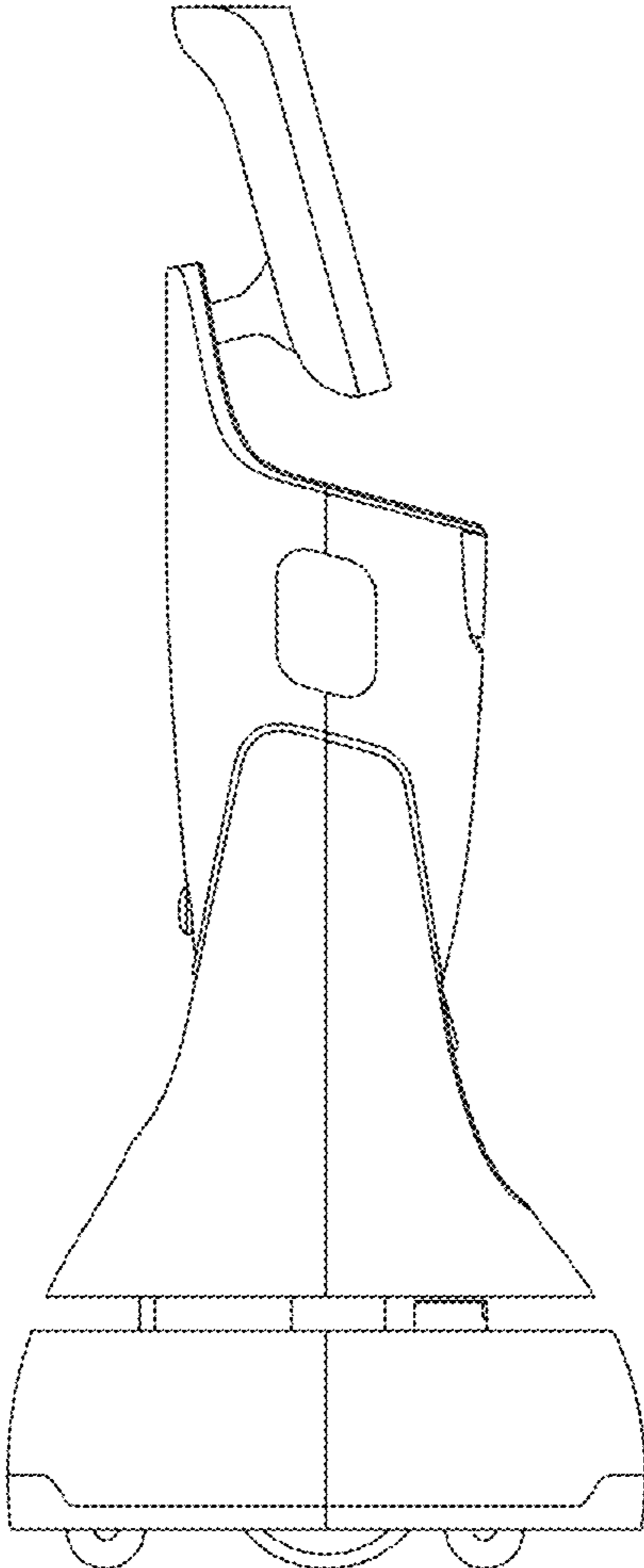


FIG. 3

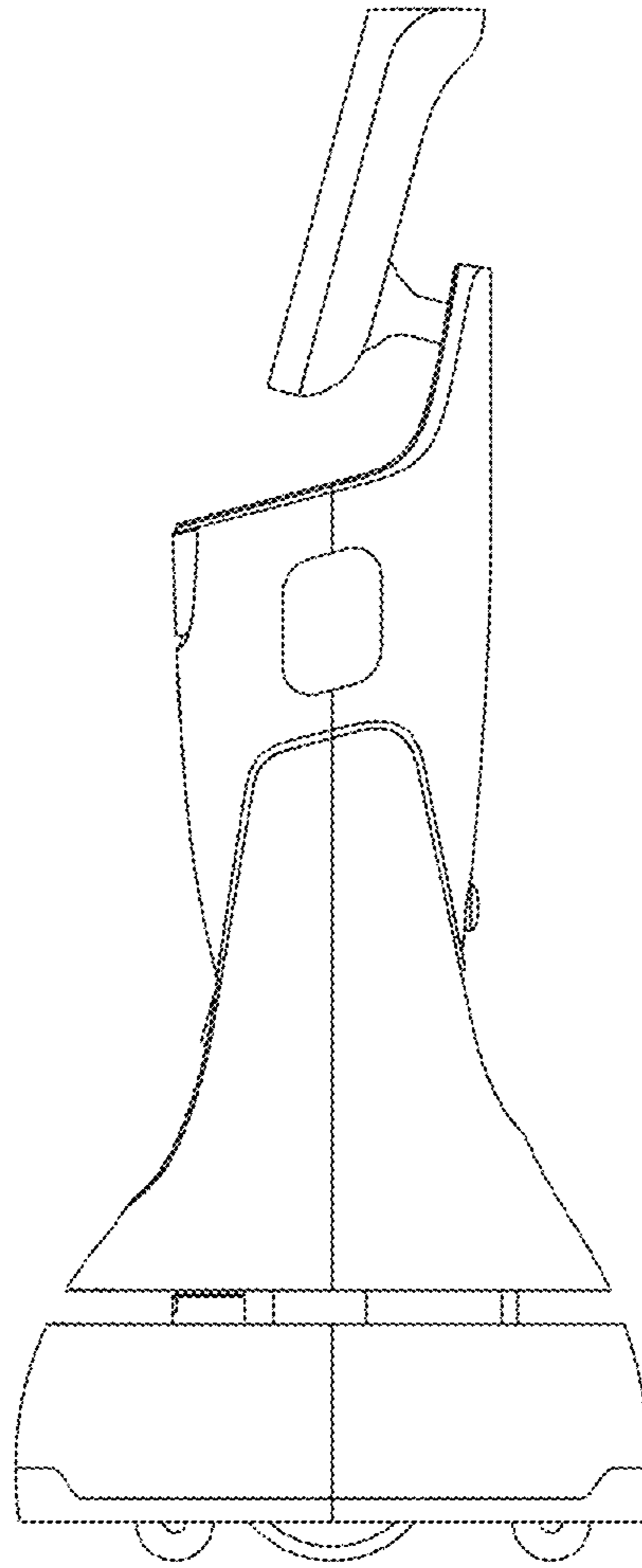


FIG. 4

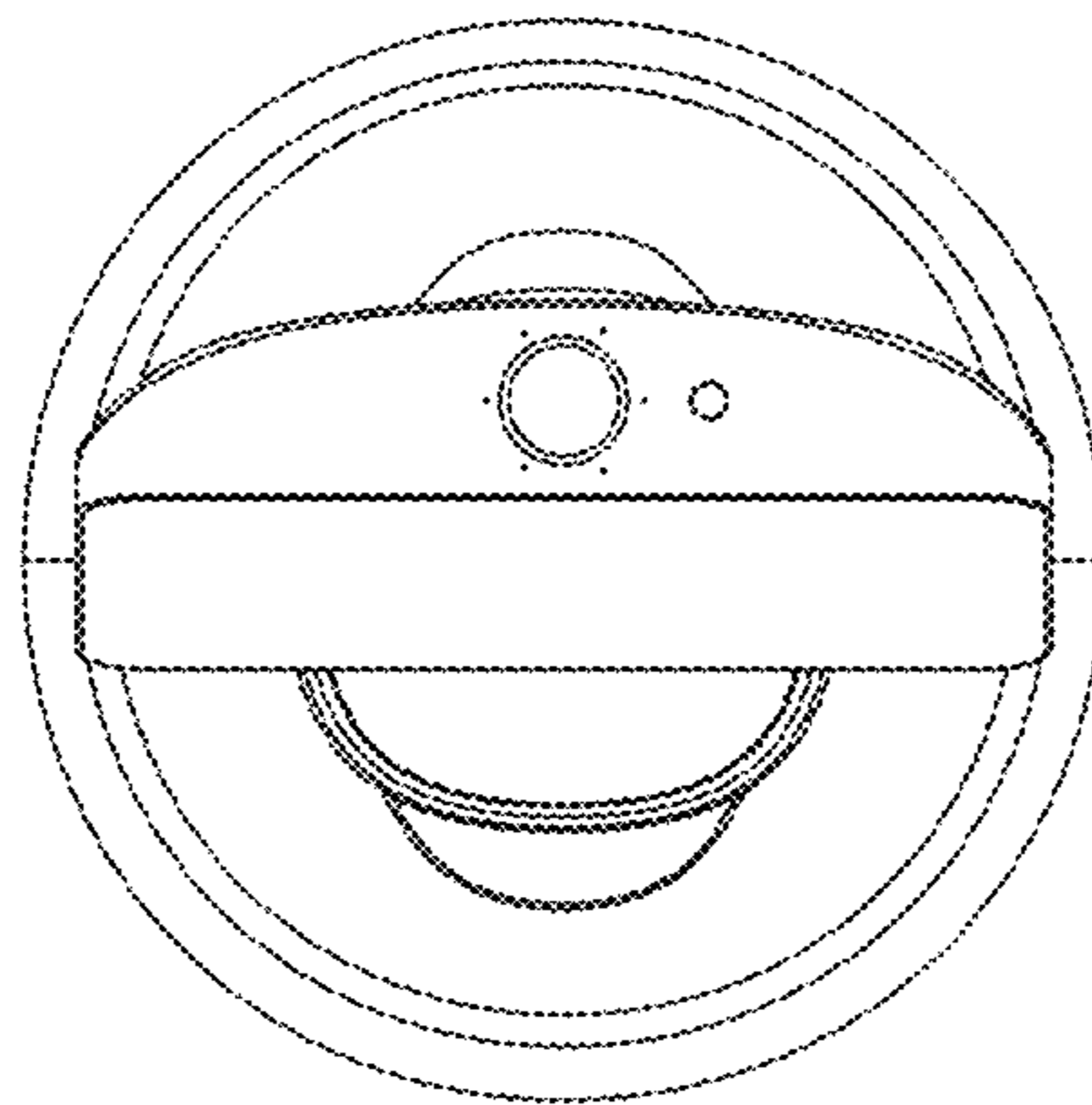


FIG. 5



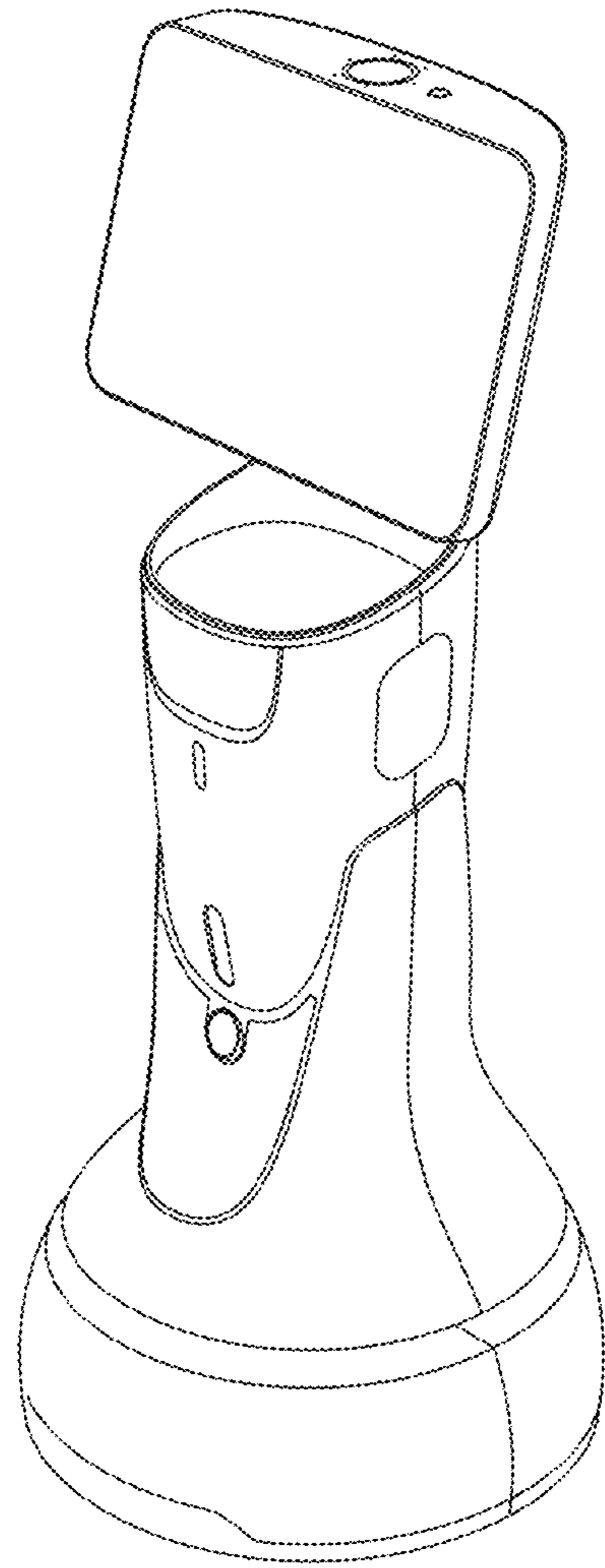


FIG. 6

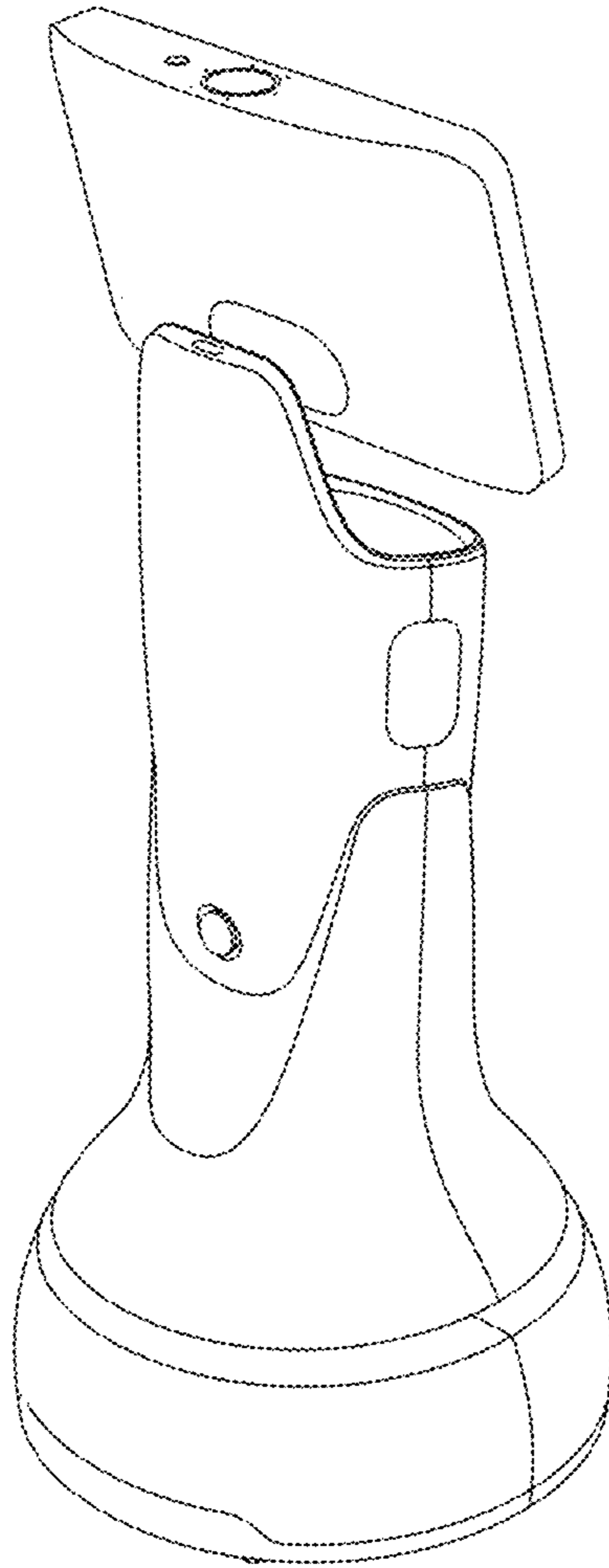


FIG. 7



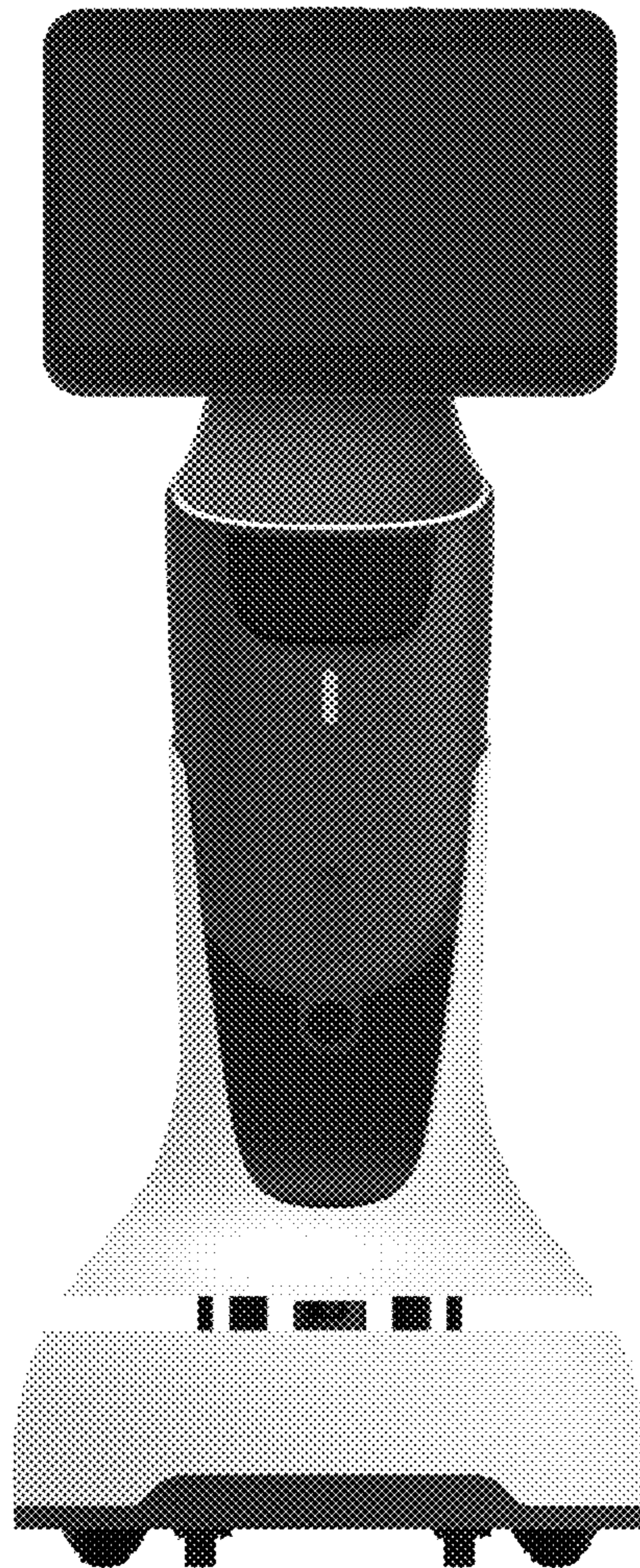


FIG. 8

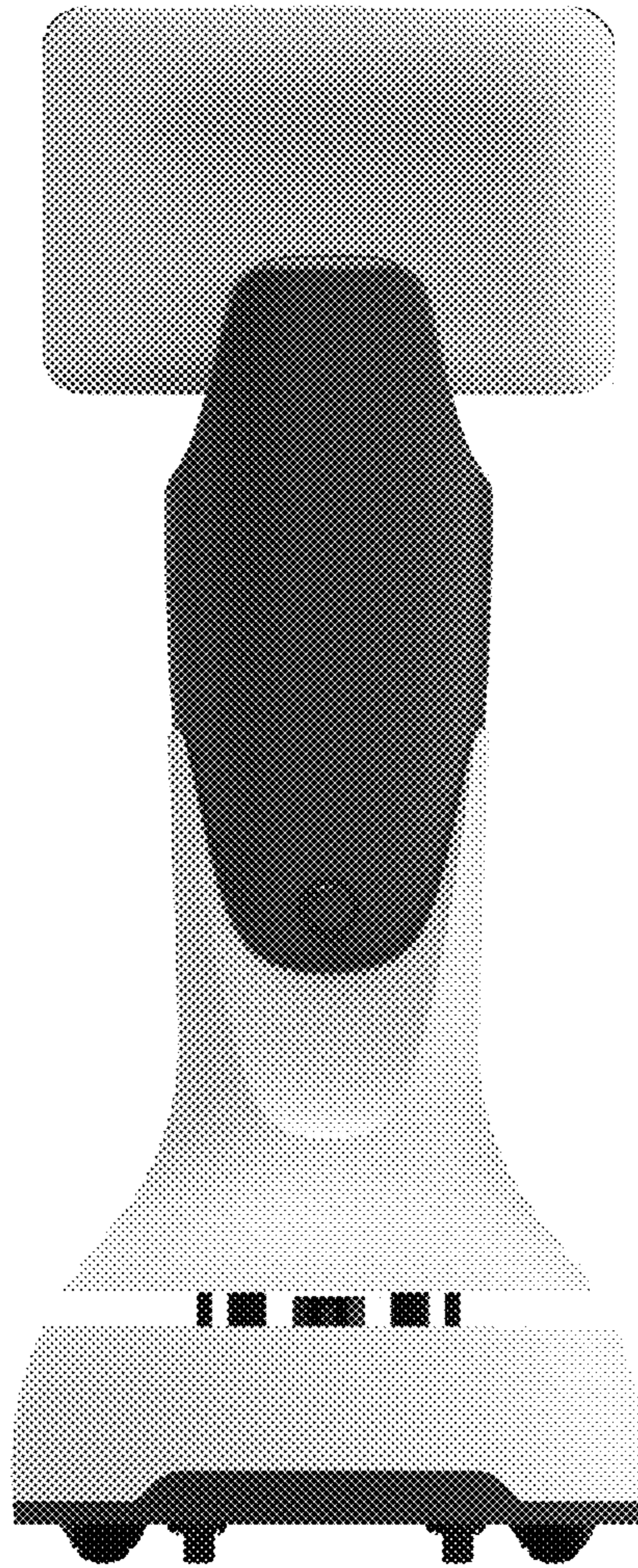


FIG. 9

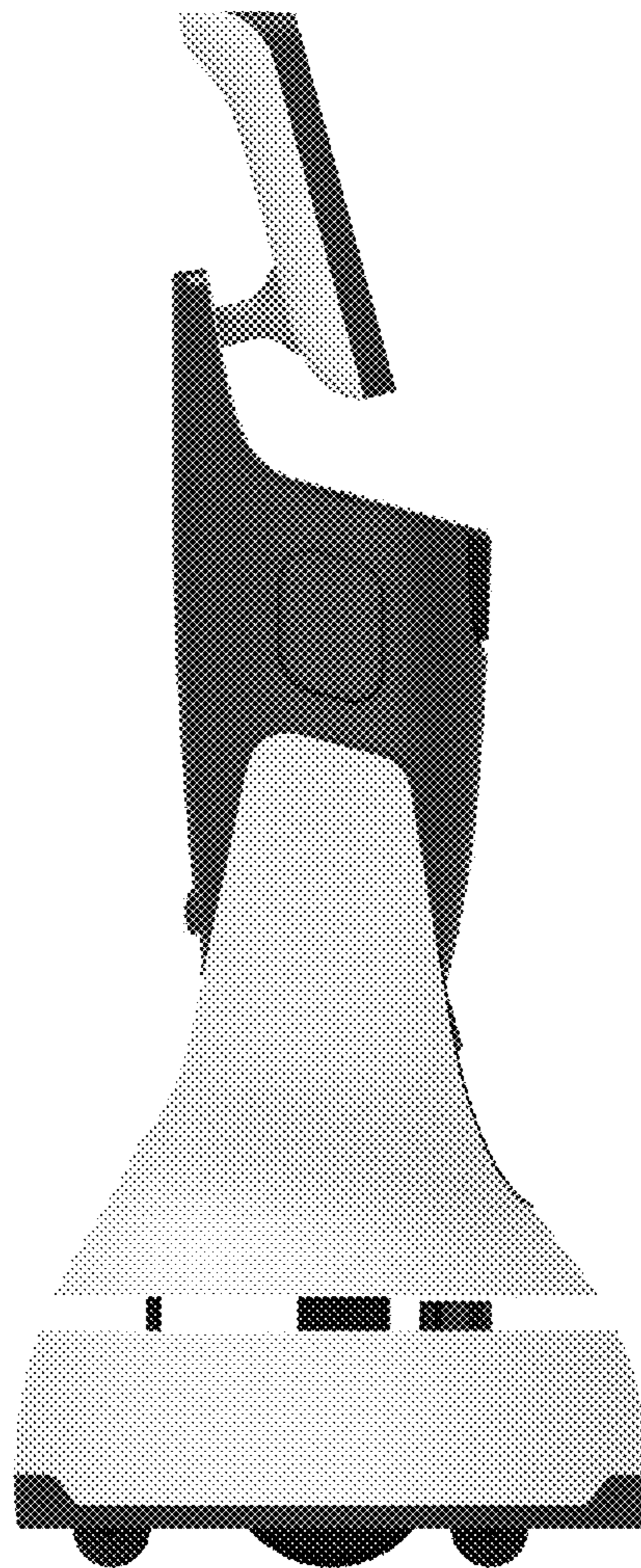


FIG. 10



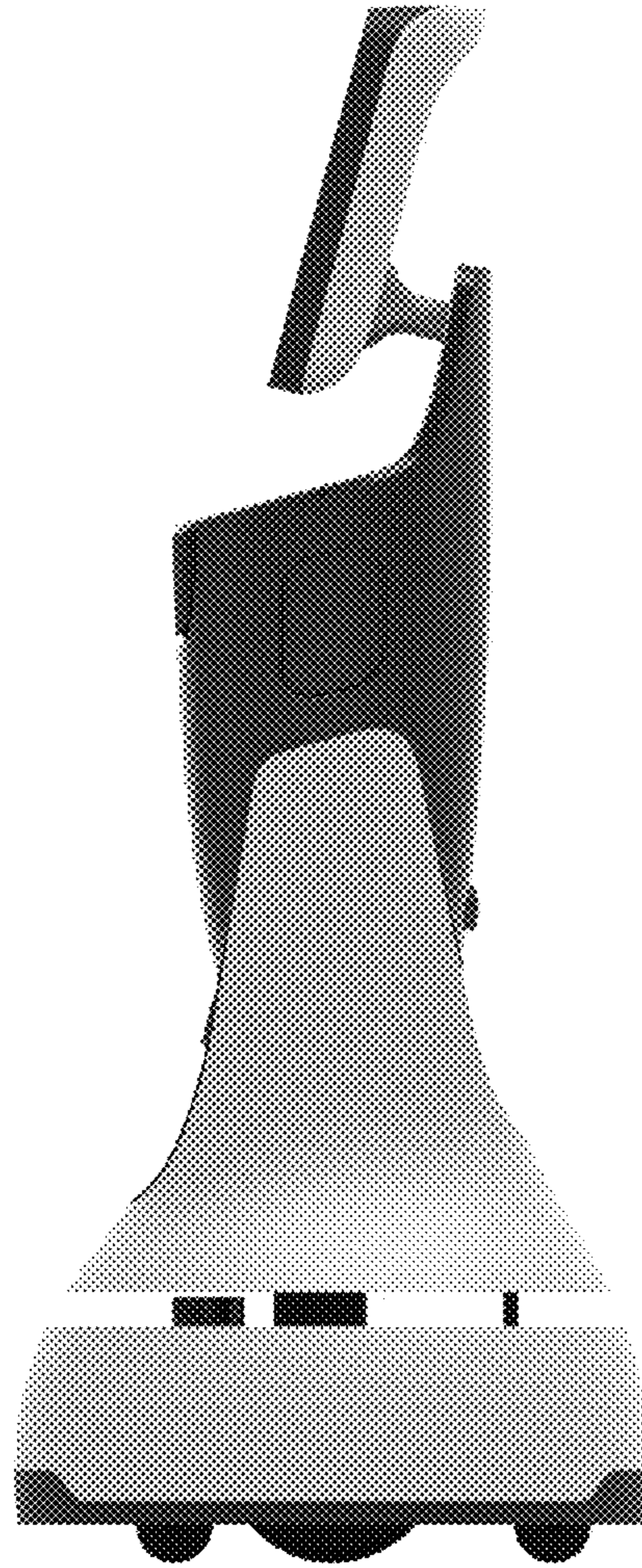


FIG. 11

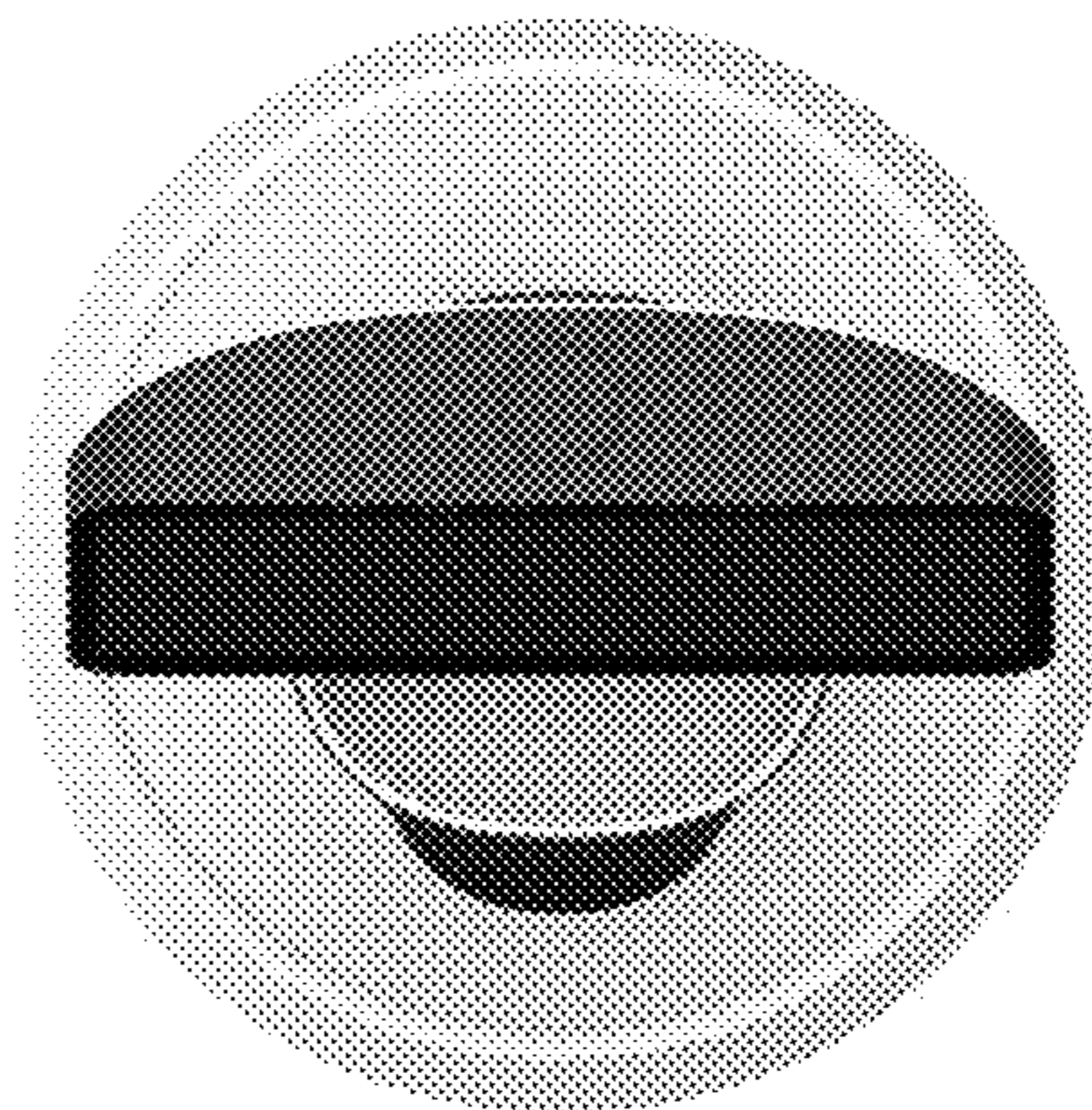


FIG. 12

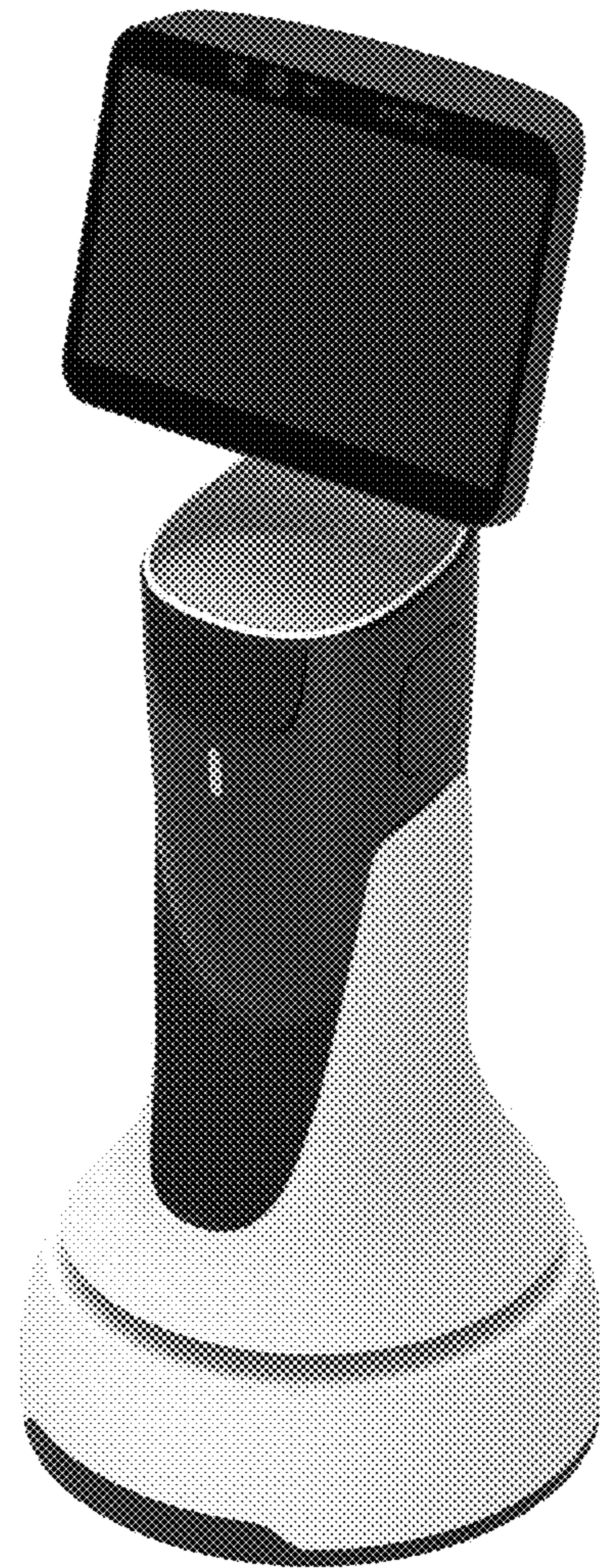


FIG. 13



FIG. 14