



US00D958859S

(12) **United States Design Patent** (10) **Patent No.:** **US D958,859 S**
Picard et al. (45) **Date of Patent:** **** Jul. 26, 2022**

(54) **ROBOTIC ARM**

(71) Applicant: **KINOVA INC.**, Boisbriand (CA)

(72) Inventors: **Alexandre Picard**, Boisbriand (CA);
Mathiew Moineau-Dione, Boisbriand (CA)

(73) Assignee: **KINOVA INC.**, Boisbriand (CA)

(**) Term: **15 Years**

(21) Appl. No.: **29/691,673**

(22) Filed: **May 17, 2019**

(51) **LOC (13) Cl.** **15-99**

(52) **U.S. Cl.**
USPC **D15/199**

(58) **Field of Classification Search**
USPC D15/122, 199; D21/578-583; D32/21;
D34/34
CPC B25J 9/046; B25J 9/042; B25J 9/06; H01L
21/67766
See application file for complete search history.

(56) **References Cited**

U.S. PATENT DOCUMENTS

D604,752 S *	11/2009	Haag	D15/199
D716,357 S *	10/2014	Gombert	D15/199
9,254,566 B2 *	2/2016	Hashimoto	B25J 11/0095
D776,178 S *	1/2017	Ries	D15/199
D802,041 S *	11/2017	He	D15/199
D830,439 S *	10/2018	Park	D15/199
D841,065 S *	2/2019	Hontani	D15/199
D841,712 S *	2/2019	Hontani	D15/199
D865,828 S *	11/2019	Bogart	D15/199
D873,878 S *	1/2020	Vazquez	D15/199
D874,530 S *	2/2020	Haddadin	D15/199
D881,251 S *	4/2020	Abe	D15/199
D885,452 S *	5/2020	Haddadin	D15/199

D892,889 S *	8/2020	Random	D15/199
2013/0255426 A1 *	10/2013	Kassow	B25J 18/00 74/490.03
2016/0016320 A1 *	1/2016	Rothfuss	A61B 34/30 74/490.03

* cited by examiner

Primary Examiner — Patricia A Palasik

(74) *Attorney, Agent, or Firm* — Norton Rose Fulbright
Canada LLP

(57) **CLAIM**

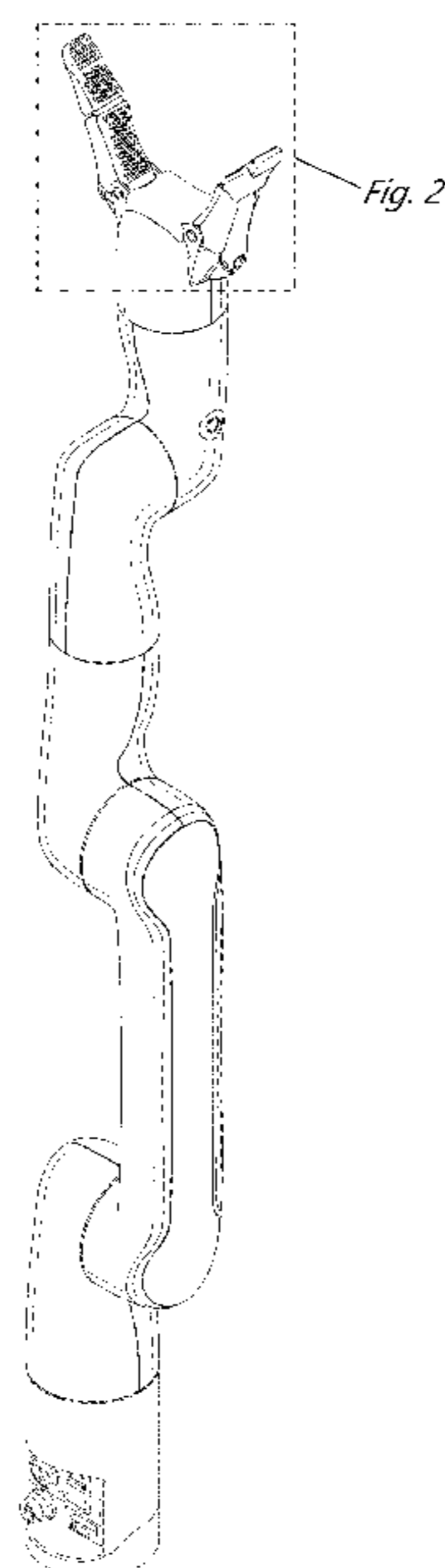
The ornamental design for a robotic arm, as shown and described.

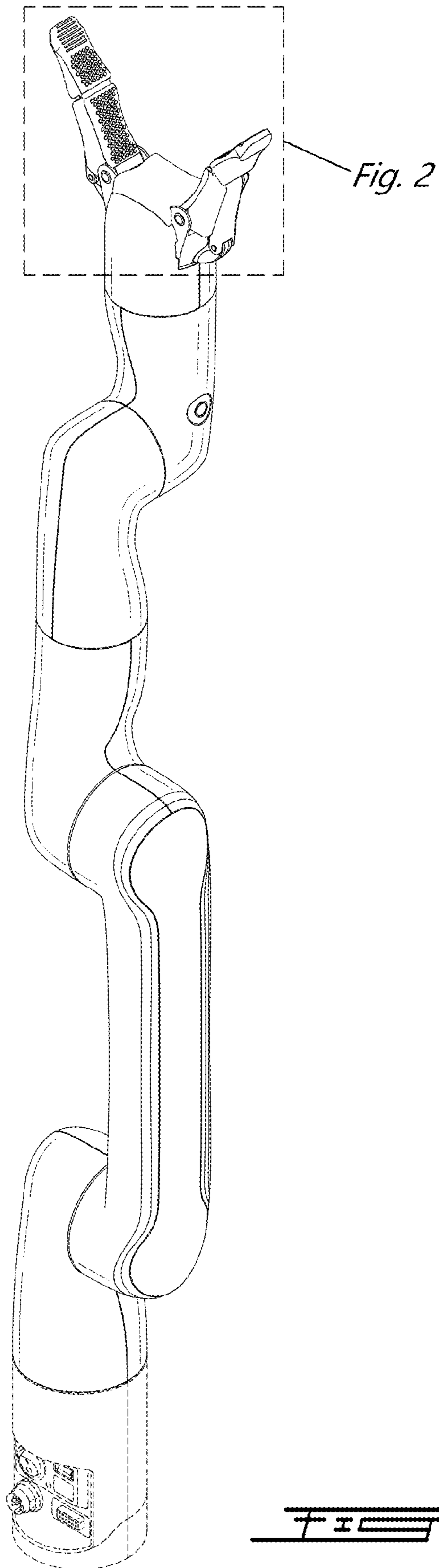
DESCRIPTION

FIG. 1 is an isometric view of a robotic arm in accordance with the present disclosure;
FIG. 2 is a close-up view of a portion of the robotic arm of FIG. 1 as seen in FIG. 1;
FIG. 3 is a right-side view of the robotic arm of FIG. 1;
FIG. 4 is a close-up view of a portion of the robotic arm of FIG. 1 as seen in FIG. 3;
FIG. 5 is a left-side view of the robotic arm of FIG. 1;
FIG. 6 is a close-up view of a portion of the robotic arm of FIG. 1 as seen in FIG. 5;
FIG. 7 is a top view of the robotic arm of FIG. 1;
FIG. 8 is a bottom view of the robotic arm of FIG. 1;
FIG. 9 is a front view of the robotic arm of FIG. 1;
FIG. 10 is a close-up view of a portion of the robotic arm of FIG. 1 as seen in FIG. 9;
FIG. 11 is a rear view of the robotic arm of FIG. 1; and,
FIG. 12 is a close-up view of a portion of the robotic arm of FIG. 1 as seen in FIG. 11.

The broken line portions are included to show environmental unclaimed subject matter only and form no part of the claimed design.

1 Claim, 12 Drawing Sheets





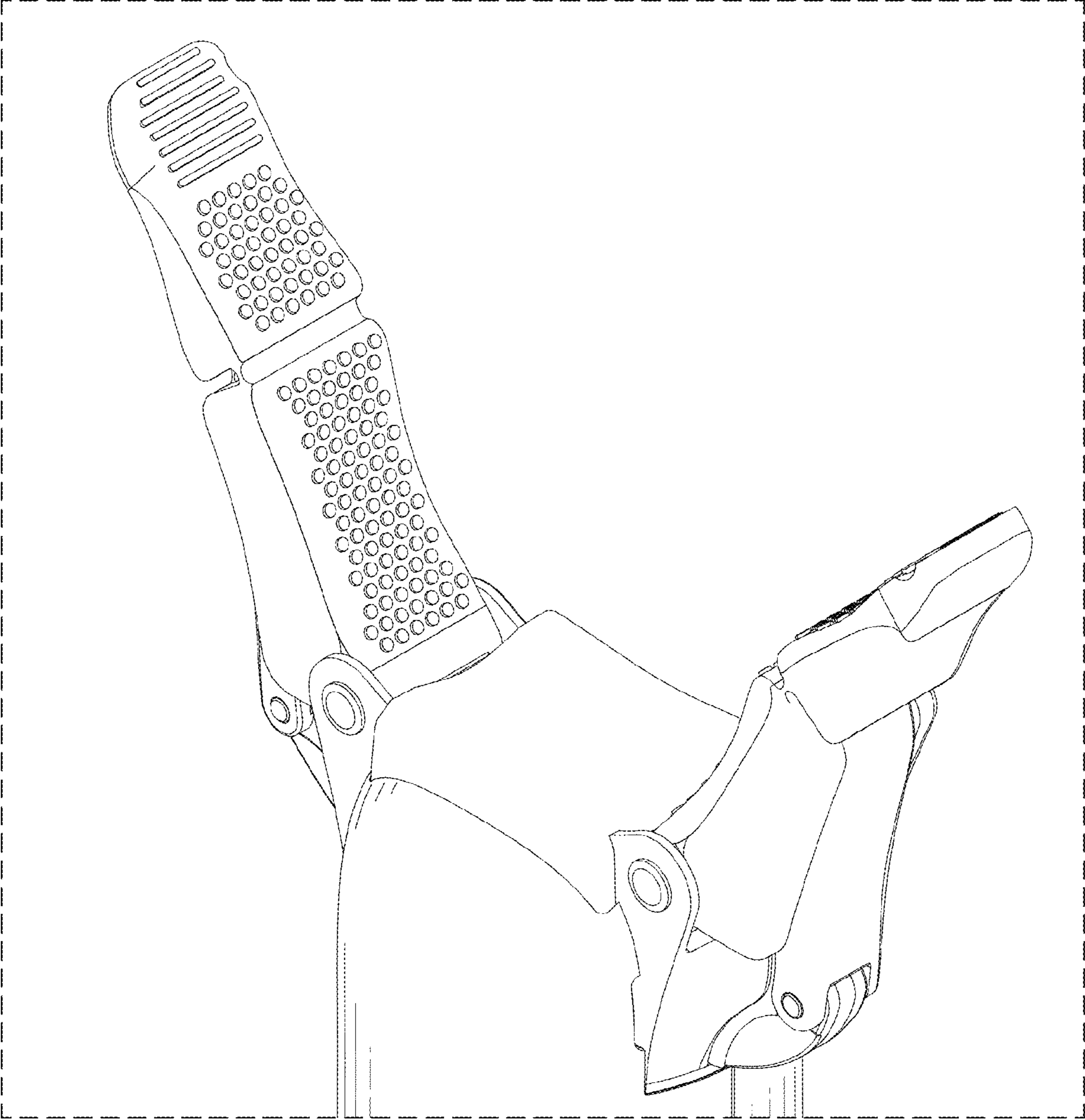


FIG. 2

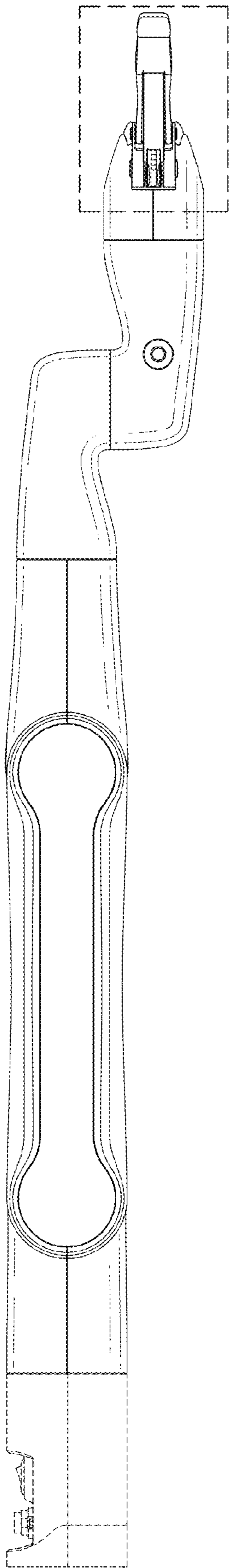


Fig. 4

FIG. 3

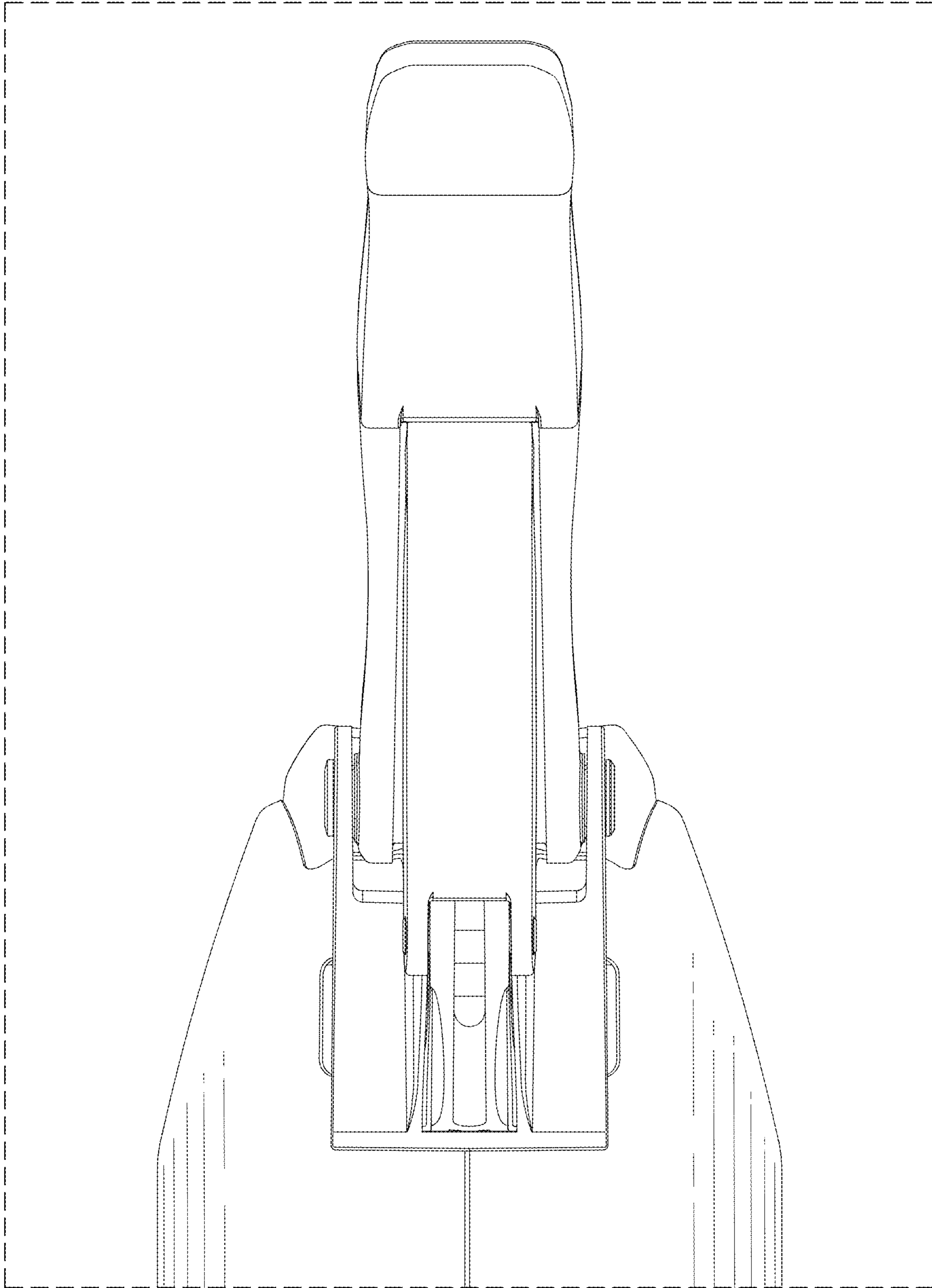


FIG. 4

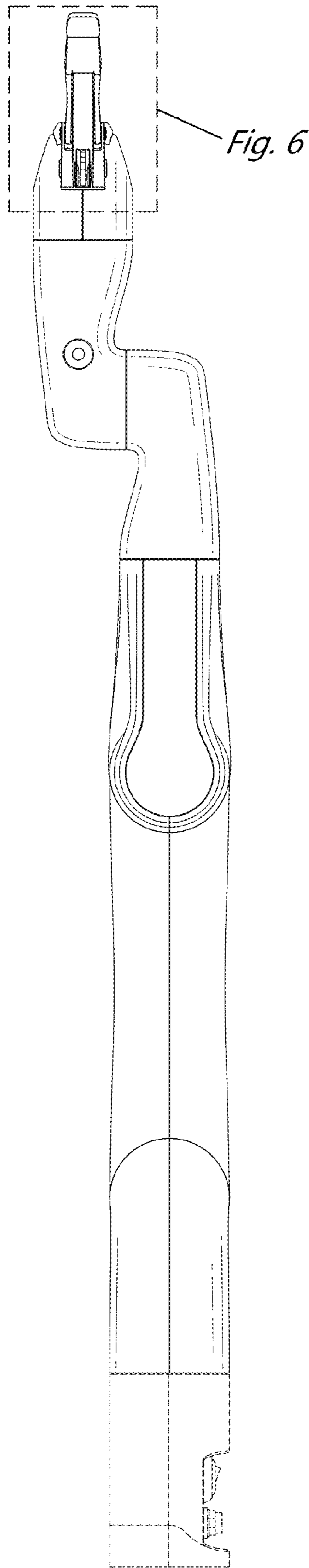


FIG. 5

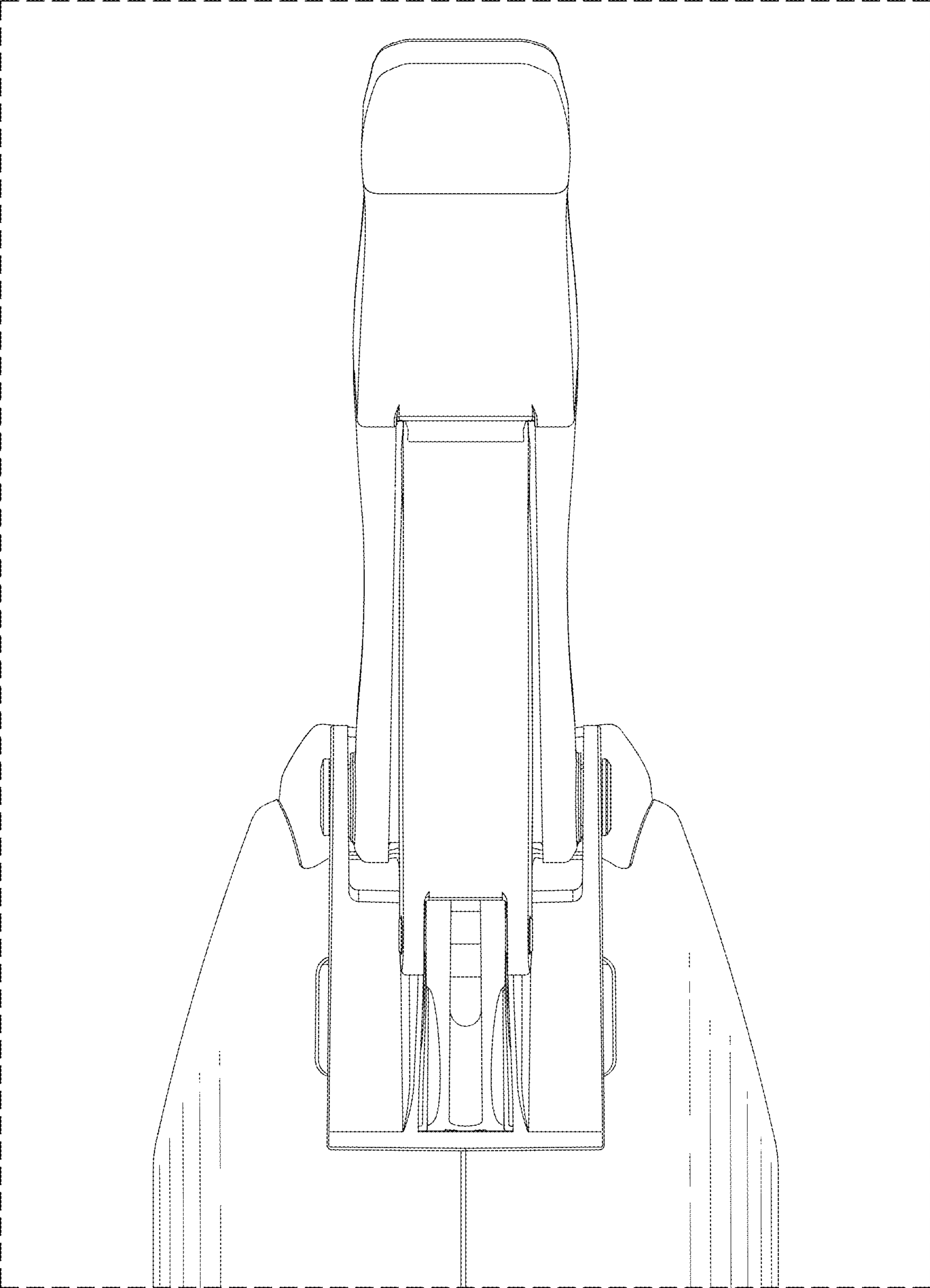


FIG. 6

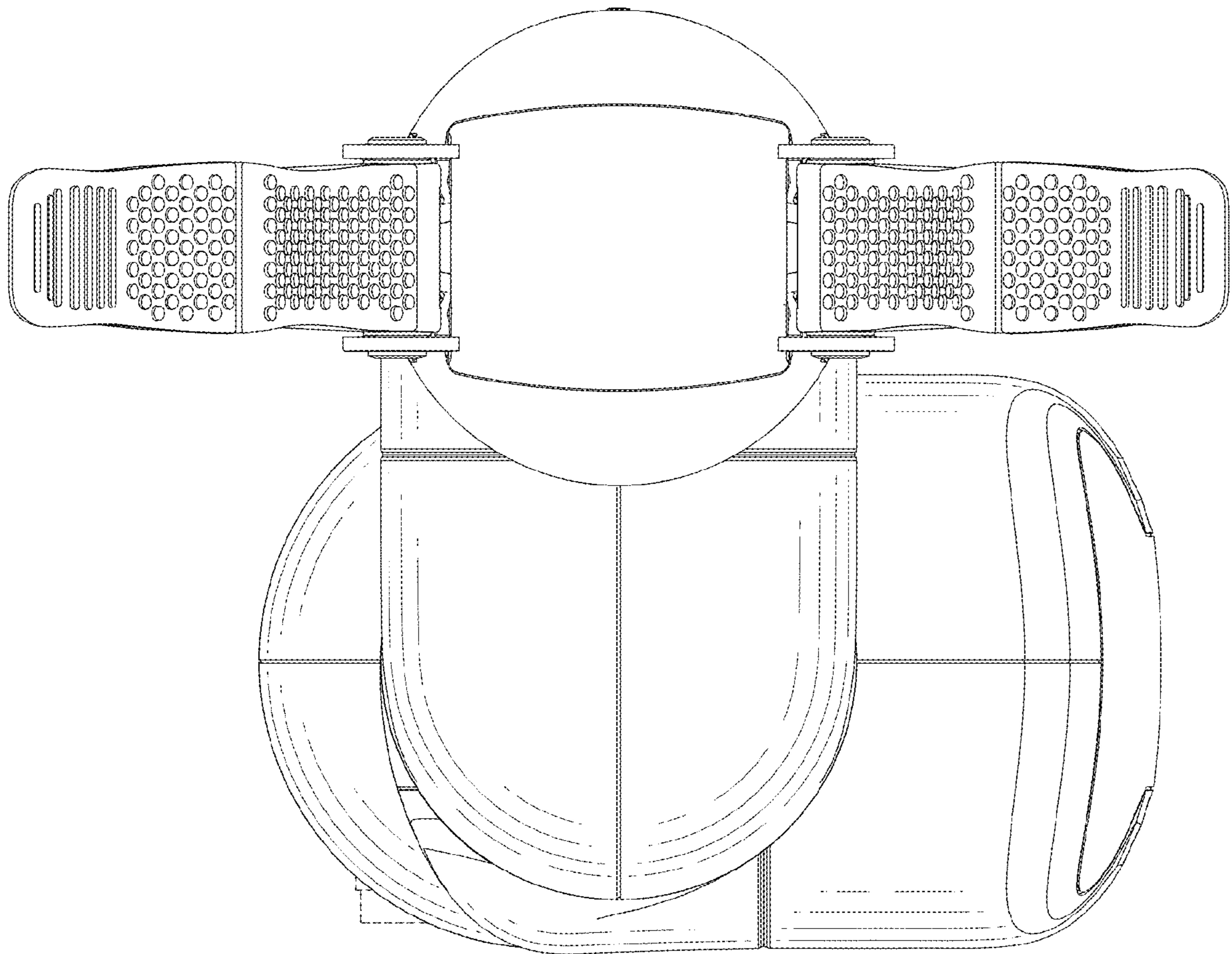


FIG. 7

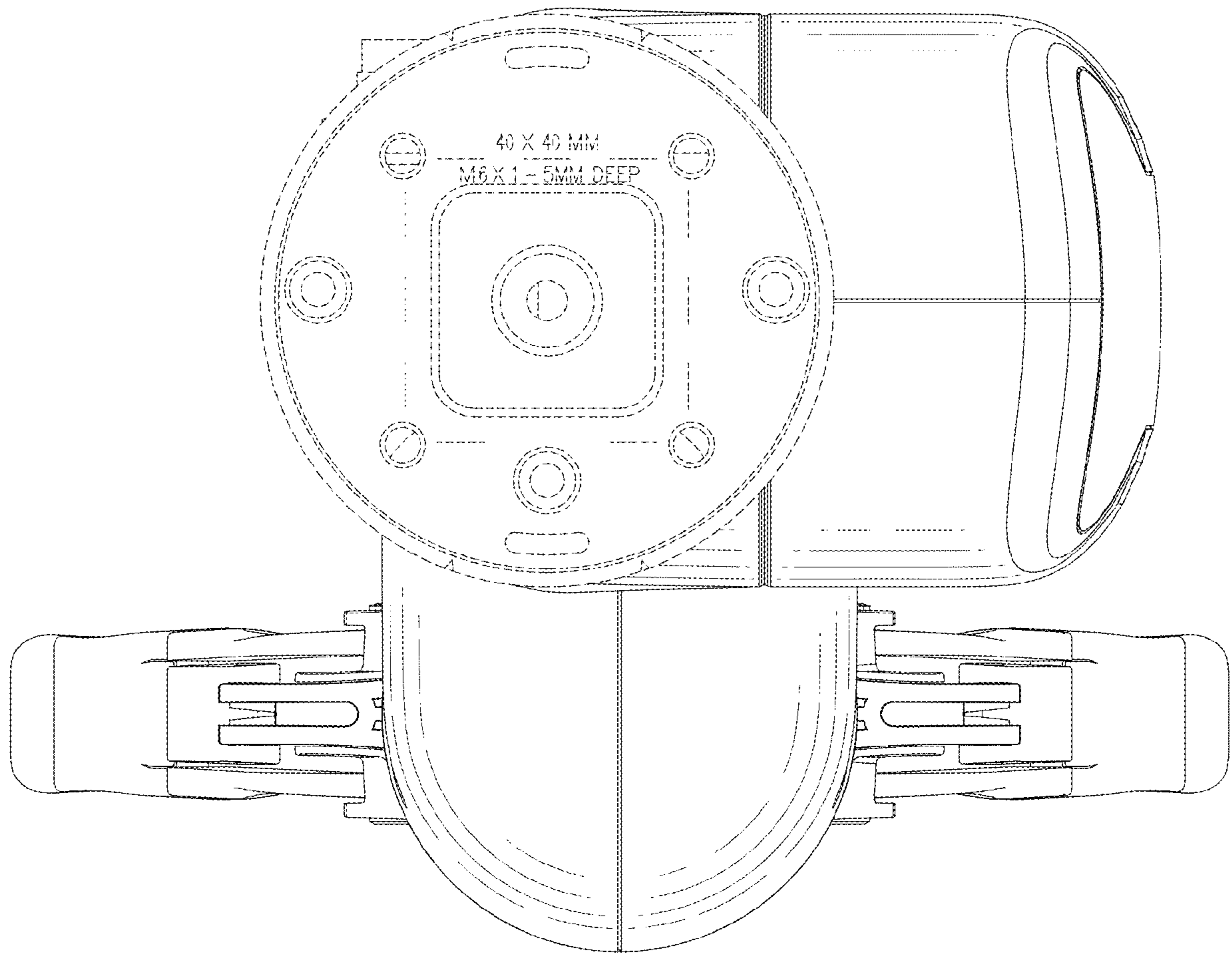


FIG. 8

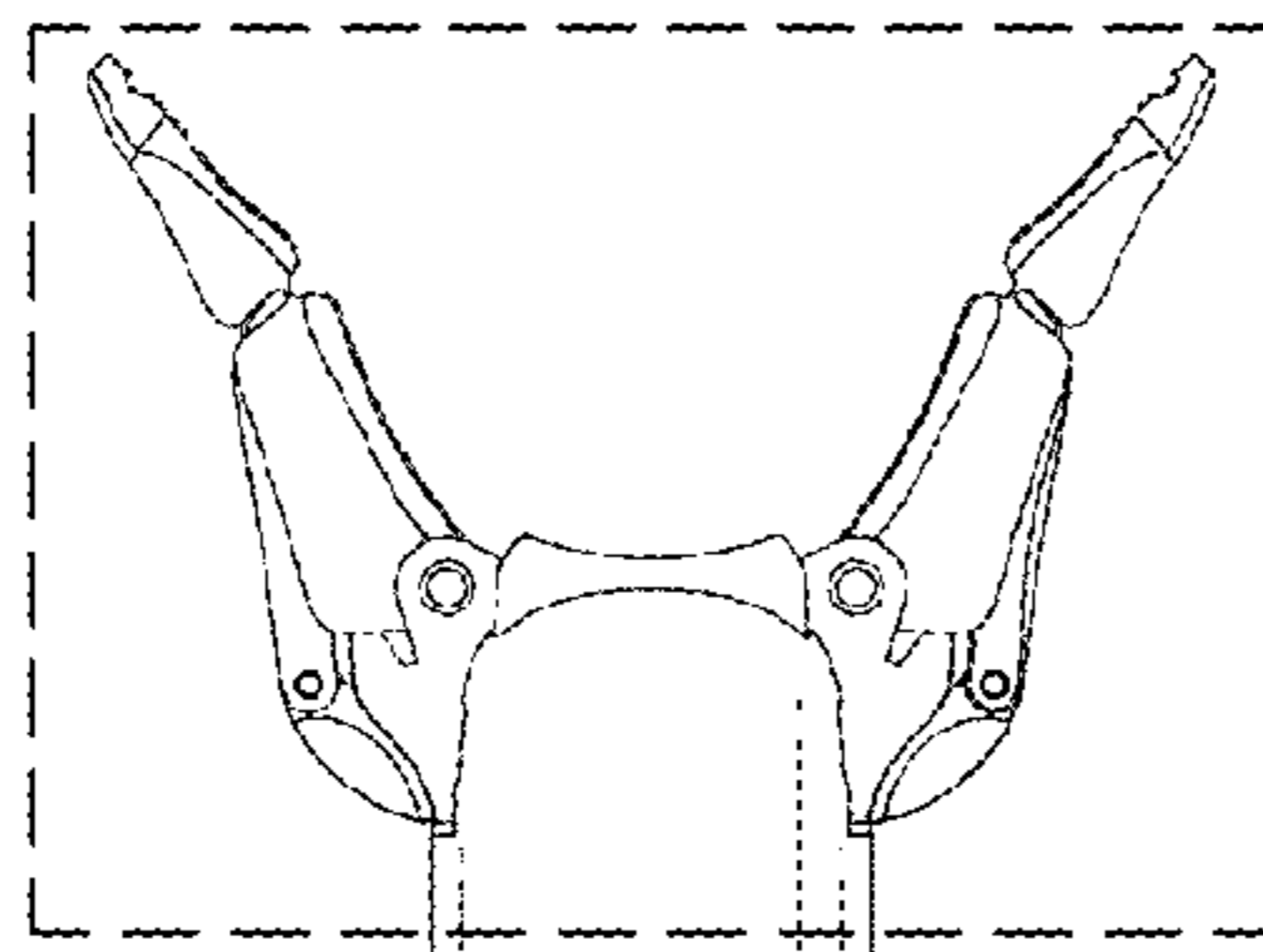


Fig. 10

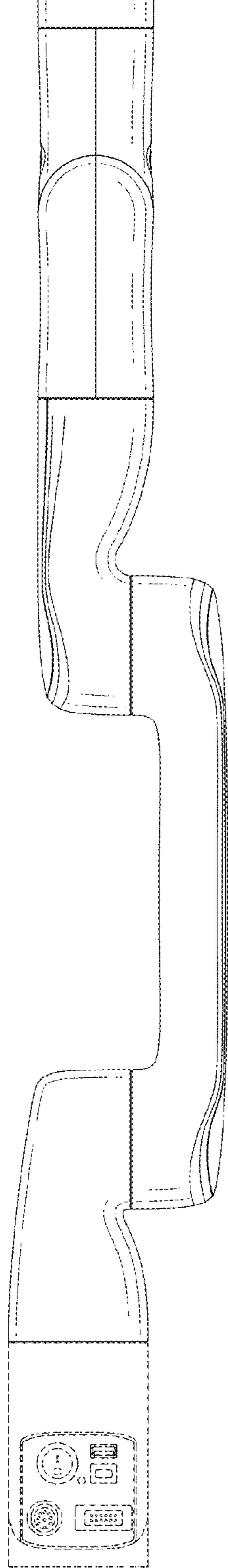


FIG. 9

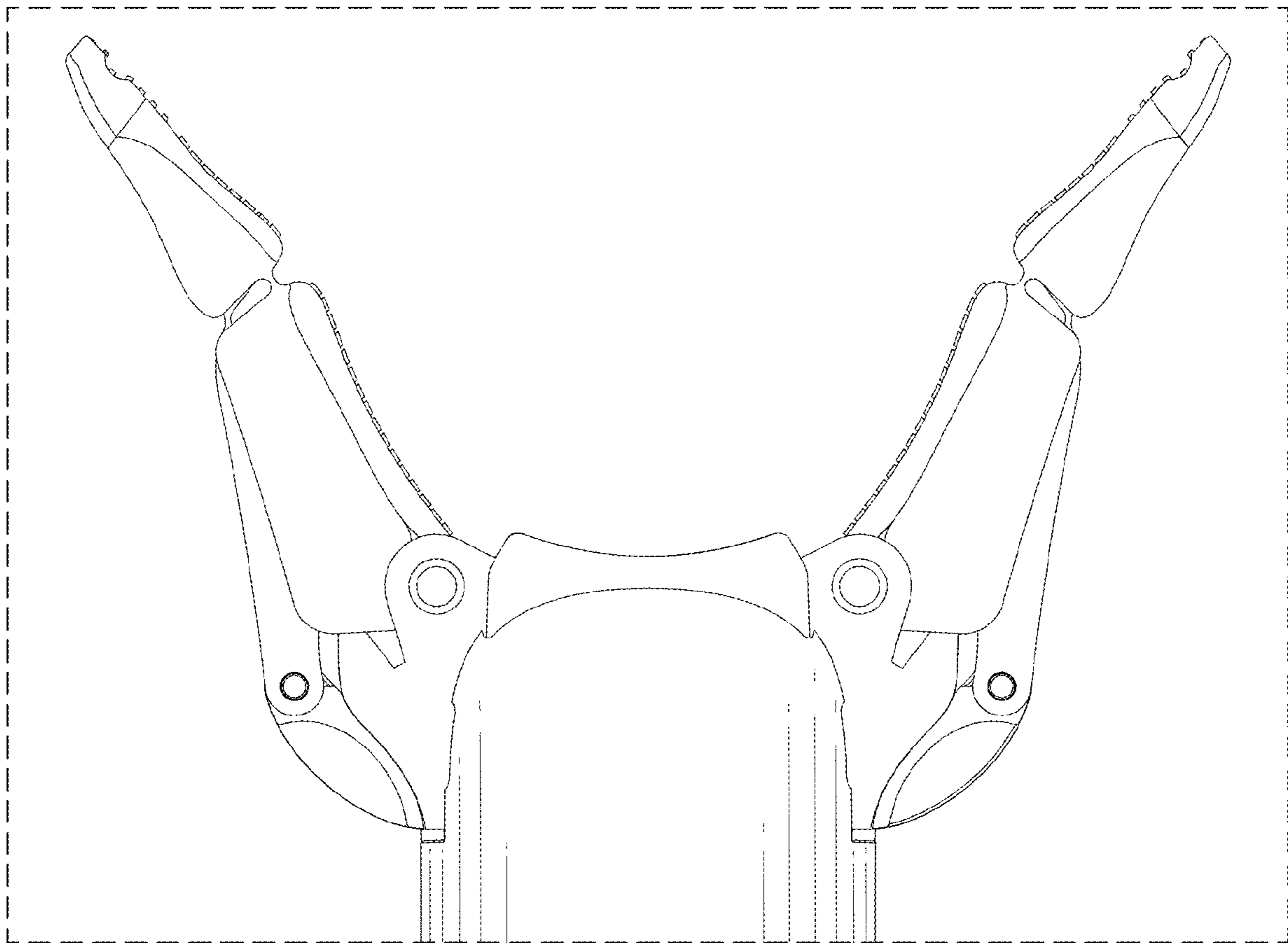


FIG. 10

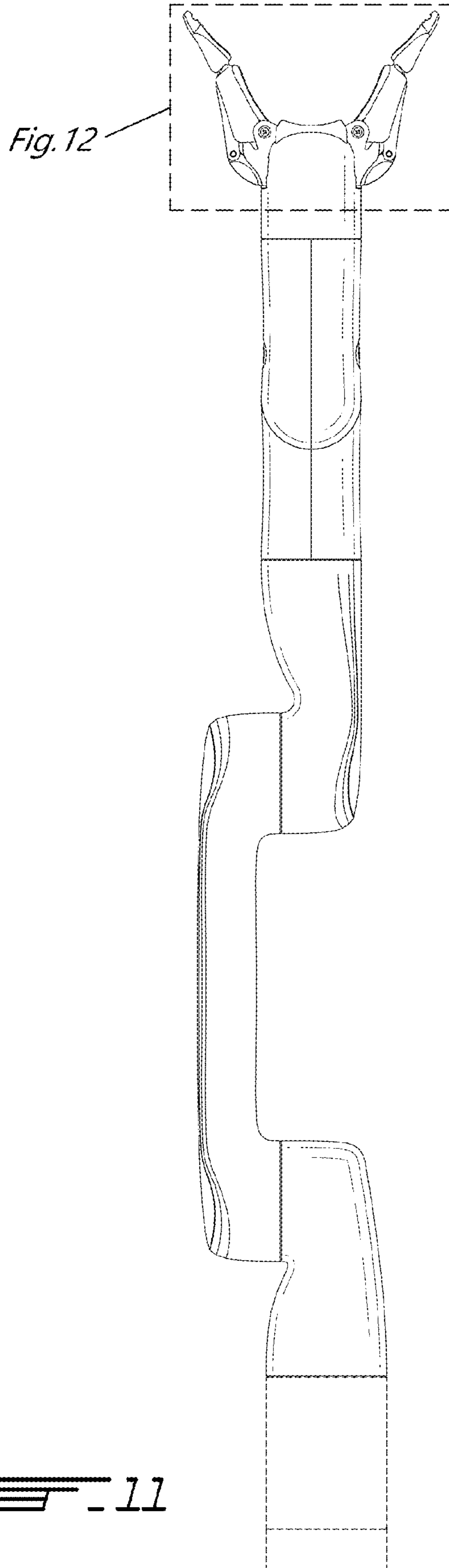


FIG. 11

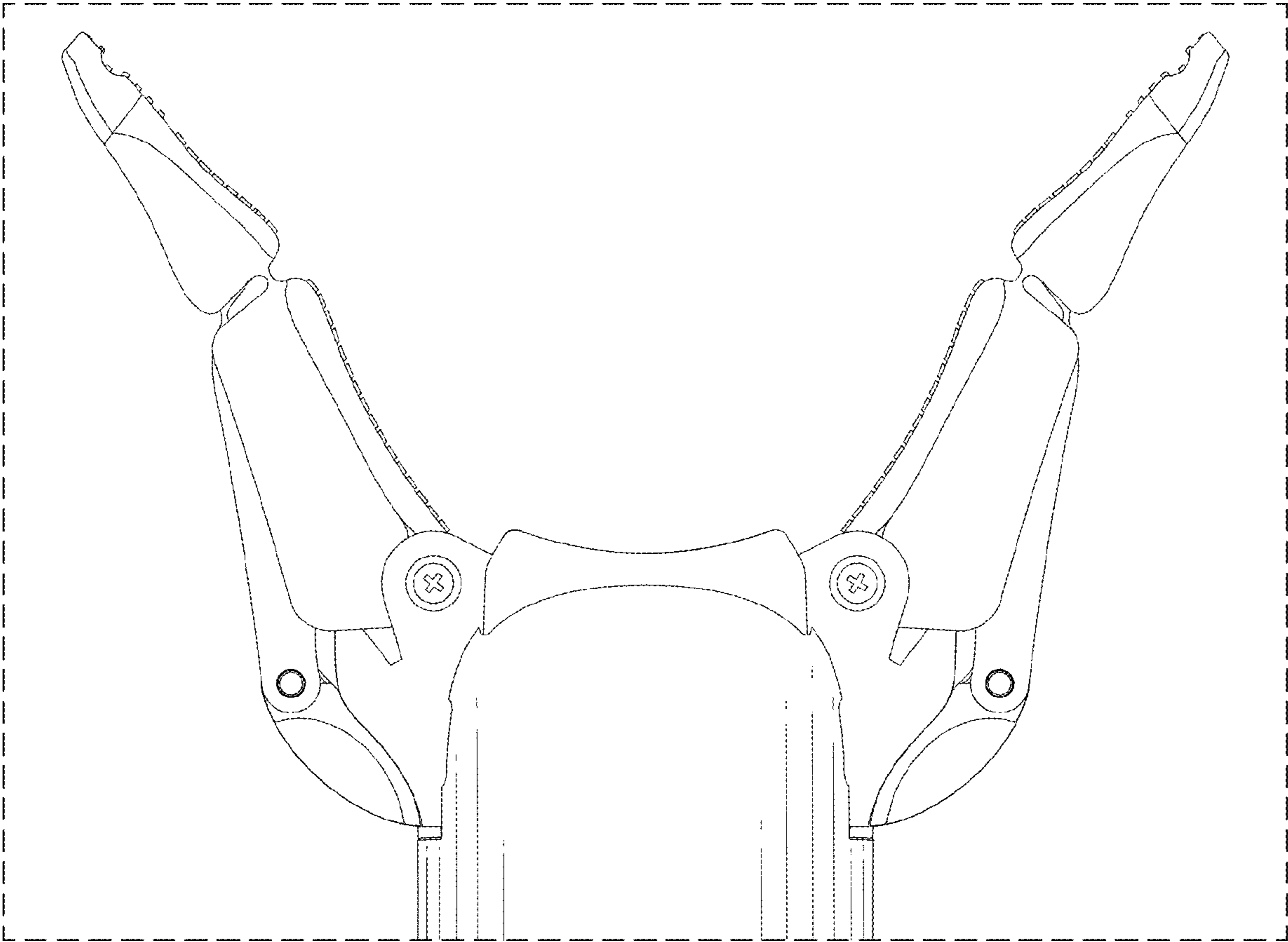


FIG. 12