



US00D958858S

(12) **United States Design Patent**  
**Yang**

(10) **Patent No.:** **US D958,858 S**

(45) **Date of Patent:** **\*\* Jul. 26, 2022**

- (54) **VACUUM SEALING MACHINE**
- (71) Applicant: **Heyun Yang**, Guangdong (CN)
- (72) Inventor: **Heyun Yang**, Guangdong (CN)
- (\*\*) Term: **15 Years**
- (21) Appl. No.: **29/776,136**
- (22) Filed: **Mar. 29, 2021**
- (51) **LOC (13) Cl.** ..... **15-09**
- (52) **U.S. Cl.**  
USPC ..... **D15/146**
- (58) **Field of Classification Search**  
USPC ..... D15/145, 146; D18/50  
CPC ..... B23C 63/0065; B23C 63/0091; B23C  
63/1018; B65B 31/046; B65B 31/047;  
B65B 31/048; B65B 51/10  
See application file for complete search history.

- 7,204,067 B2 \* 4/2007 Baptista ..... B65B 51/146  
53/434
- 7,207,160 B2 \* 4/2007 Baptista ..... B65B 31/046  
53/405
- 7,392,641 B2 \* 7/2008 Abate ..... B65B 31/046  
53/374.9
- 7,540,127 B2 \* 6/2009 Sung ..... B65B 31/046  
53/434
- D618,716 S \* 6/2010 Huang ..... D15/146
- D633,118 S \* 2/2011 Beatty ..... D15/146
- D663,331 S \* 7/2012 Day ..... D15/146
- D682,328 S \* 5/2013 Day ..... D15/146
- D682,329 S \* 5/2013 Day ..... D15/146
- D686,649 S \* 7/2013 Zhou ..... D15/146
- D694,794 S \* 12/2013 Cumming ..... D15/146
- D763,334 S \* 8/2016 Yoshitomi ..... D15/146
- 9,776,327 B2 \* 10/2017 Pinter ..... B25J 9/1676
- D847,226 S \* 4/2019 Owens ..... D15/134
- D854,065 S \* 7/2019 Owens ..... D15/146
- D864,271 S \* 10/2019 Lai ..... D15/199
- D866,624 S \* 11/2019 Choi ..... D15/146
- D871,470 S \* 12/2019 Xu ..... D15/146

(Continued)

*Primary Examiner* — Patricia A Palasik

(56) **References Cited**  
U.S. PATENT DOCUMENTS

- D215,568 S \* 10/1969 Kellogg ..... D15/146
- D249,526 S \* 9/1978 Kishida ..... D15/146
- 4,156,382 A \* 5/1979 Baker ..... B29C 66/861  
156/510
- 4,561,925 A \* 12/1985 Skerjanec ..... B29C 66/861  
156/379.6
- D301,238 S \* 5/1989 Makihara ..... D15/146
- 4,941,310 A \* 7/1990 Kristen ..... B65B 31/046  
53/512
- D342,532 S \* 12/1993 Deni ..... D15/146
- D354,966 S \* 1/1995 Lim ..... D15/145
- D364,882 S \* 12/1995 Junkers ..... D15/199
- D510,369 S \* 10/2005 Presta ..... D15/146
- 7,003,928 B2 \* 2/2006 Patterson ..... B65B 31/06  
53/405
- 7,124,557 B2 \* 10/2006 Small ..... B65B 31/046  
53/510
- D536,355 S \* 2/2007 Levsen ..... D15/146

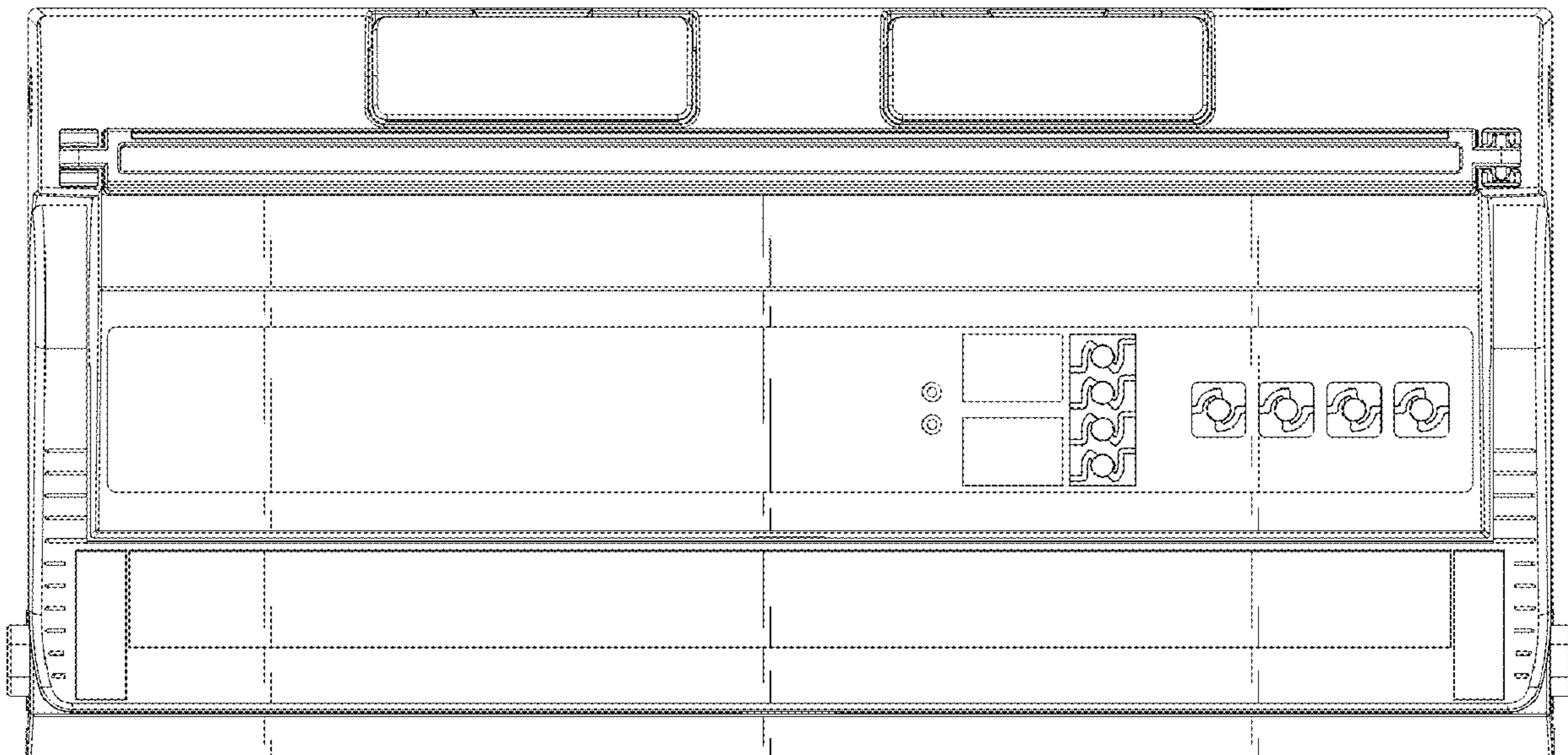
(57) **CLAIM**

The ornamental design for a vacuum sealing machine, as shown.

**DESCRIPTION**

FIG. 1 is a front elevational view of a vacuum sealing machine showing my new design;  
 FIG. 2 is a rear elevational view thereof;  
 FIG. 3 is a left side view thereof;  
 FIG. 4 is a right side view thereof;  
 FIG. 5 is a top plan view thereof;  
 FIG. 6 is a bottom plan view thereof;  
 FIG. 7 is a perspective view thereof;  
 FIG. 8 is a second perspective view thereof; and,  
 FIG. 9 is a third perspective view thereof.

**1 Claim, 9 Drawing Sheets**



(56)

**References Cited**

U.S. PATENT DOCUMENTS

D910,100	S	*	2/2021	Qiu	.....	D15/146
D910,726	S	*	2/2021	Sun	.....	D15/146
D912,710	S	*	3/2021	Choi	.....	D15/146
D924,290	S	*	7/2021	Eurich	.....	D15/146
D936,717	S	*	11/2021	Chen	.....	D15/146
D937,919	S	*	12/2021	Chen	.....	D15/146
2005/0022480	A1	*	2/2005	Brakes	.....	B65B 31/00 53/512
2018/0049613	A1	*	2/2018	Tsuboi	.....	G05D 1/0219
2019/0176326	A1	*	6/2019	Bingham	.....	B25J 9/161
2020/0091565	A1	*	3/2020	Väin	.....	B60L 53/35
2021/0031361	A1	*	2/2021	Morey	.....	F16H 1/28

\* cited by examiner

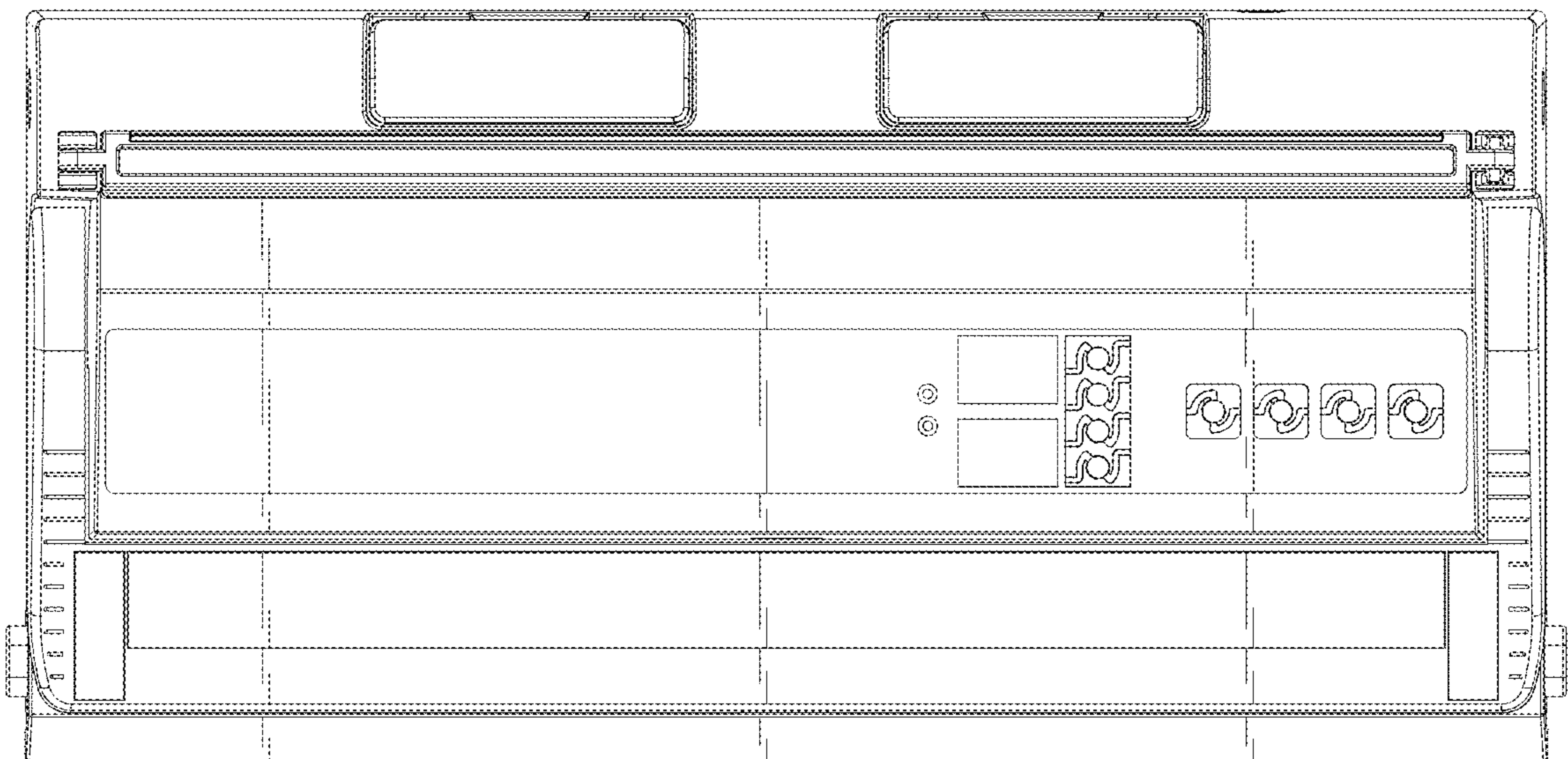


FIG. 1

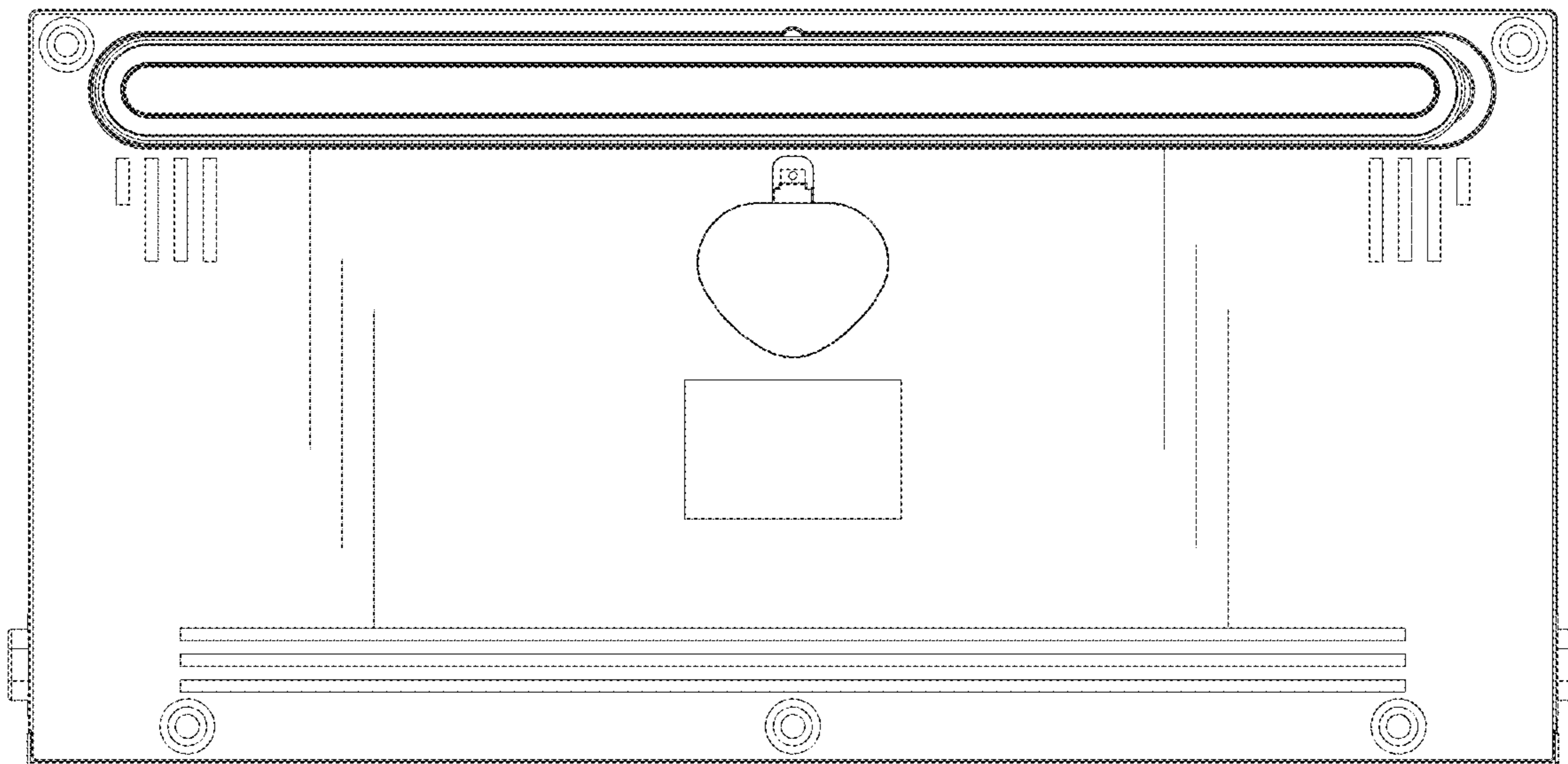


FIG. 2

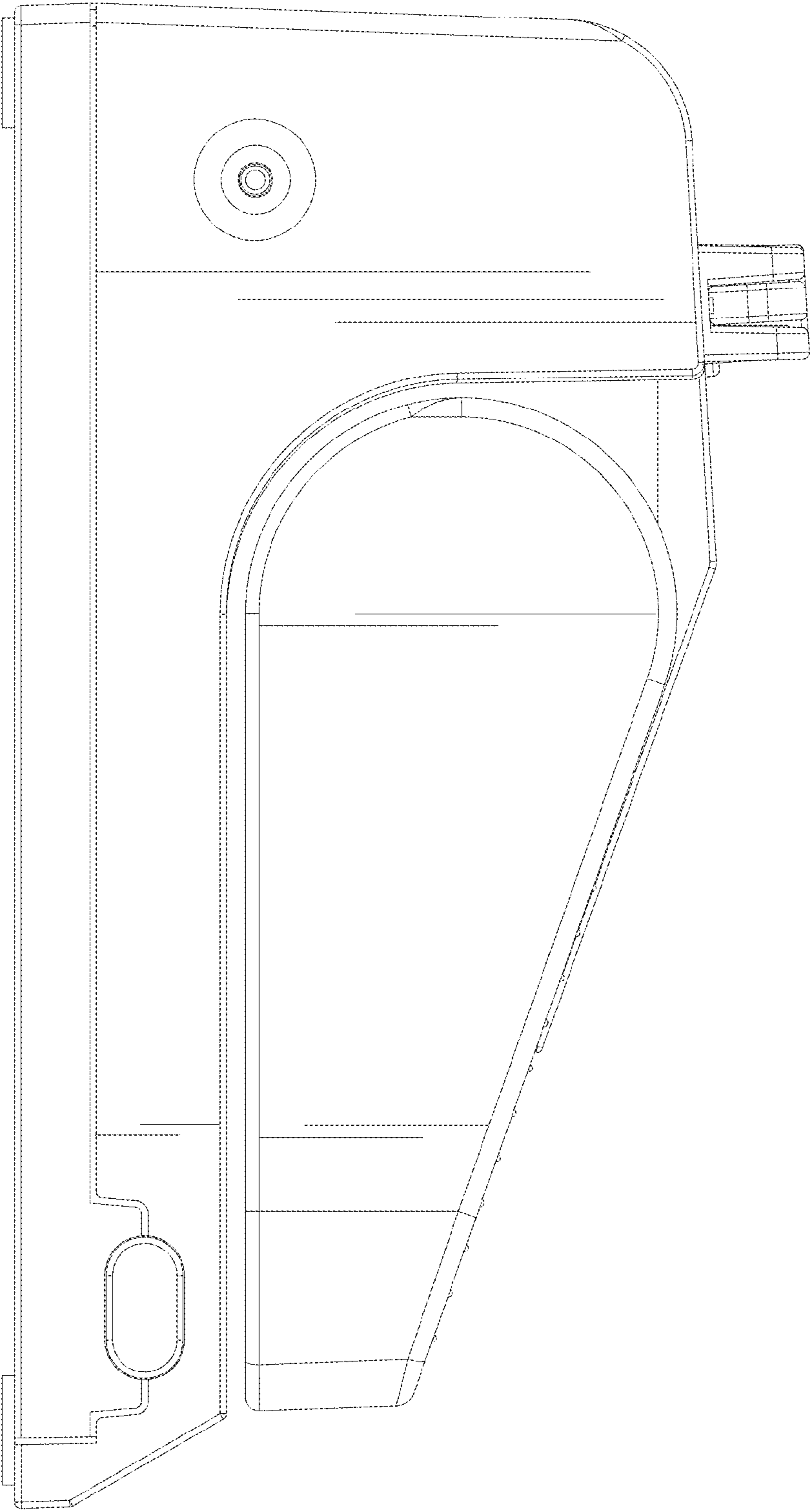


FIG. 3



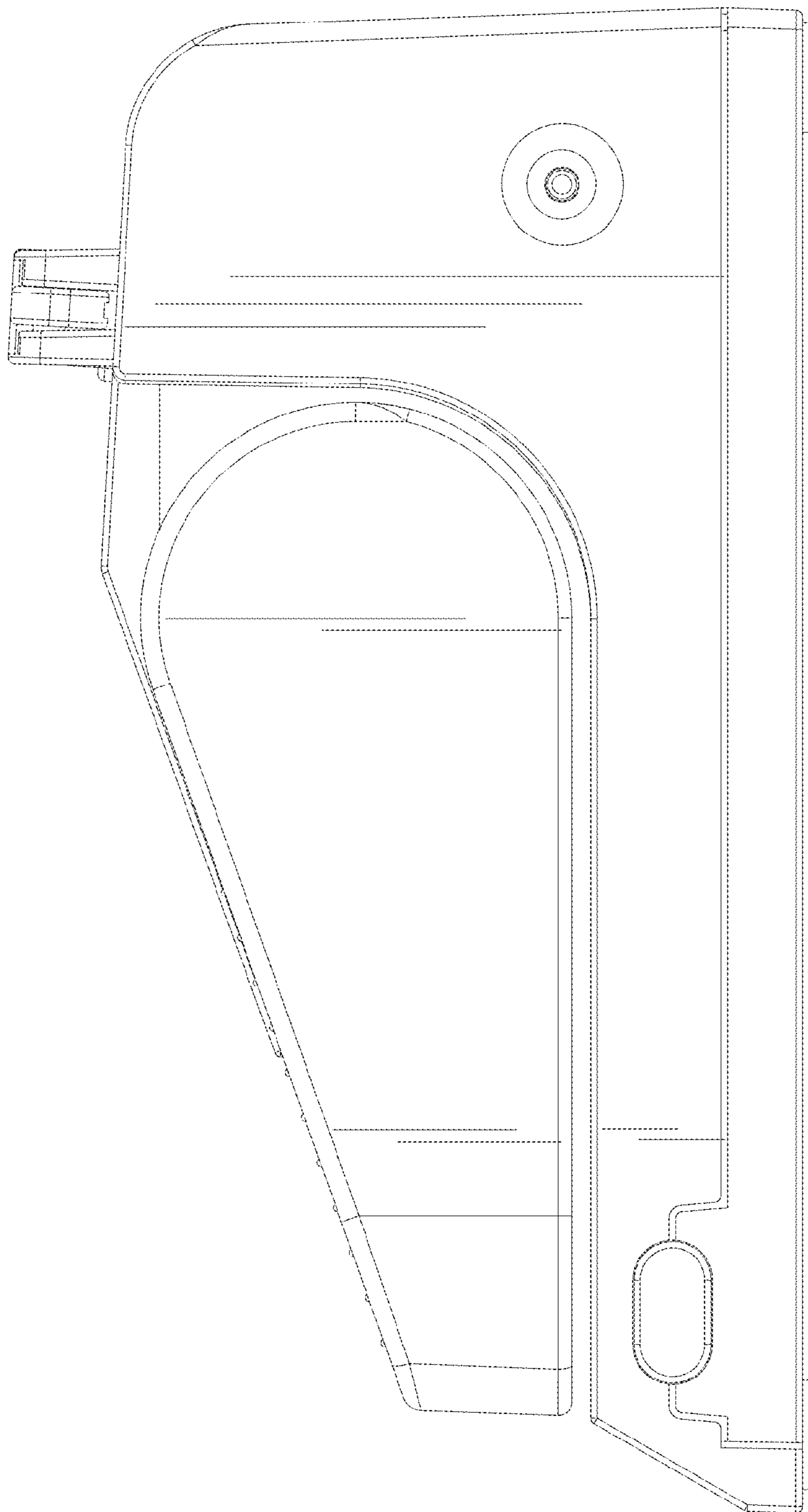


FIG. 4

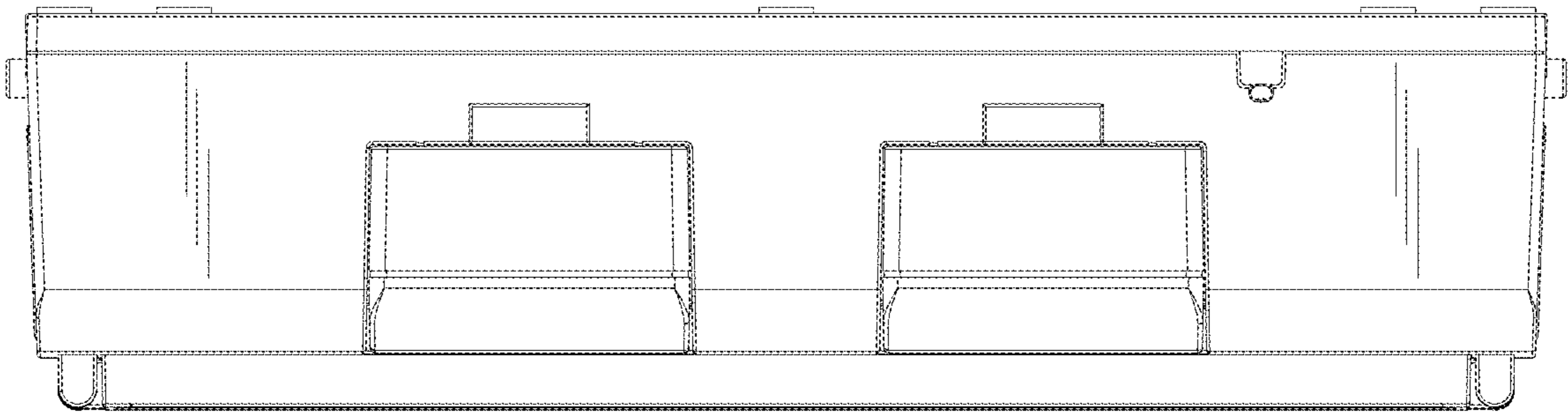


FIG. 5

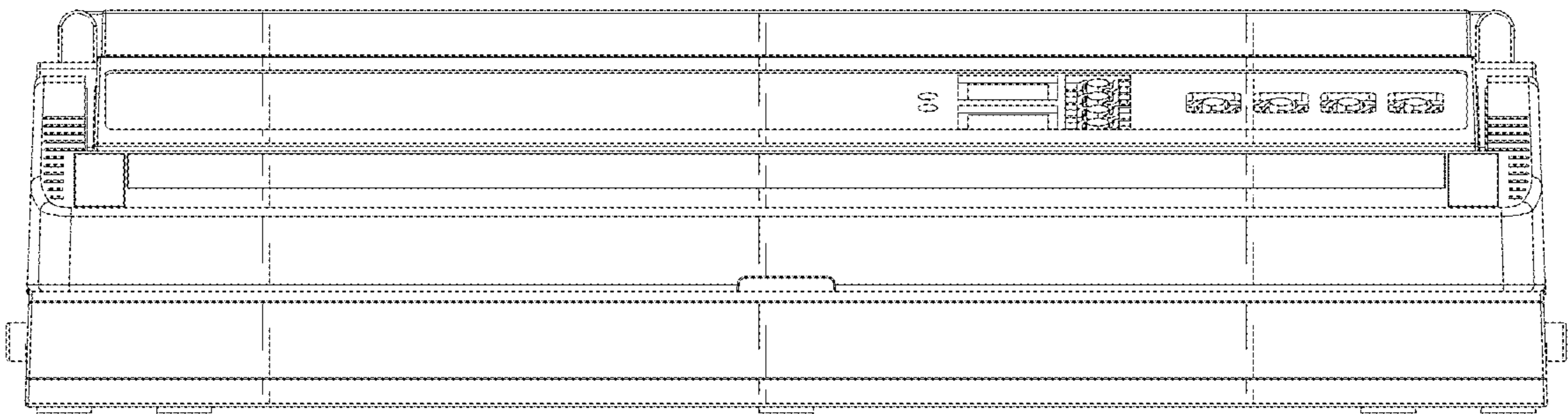


FIG. 6



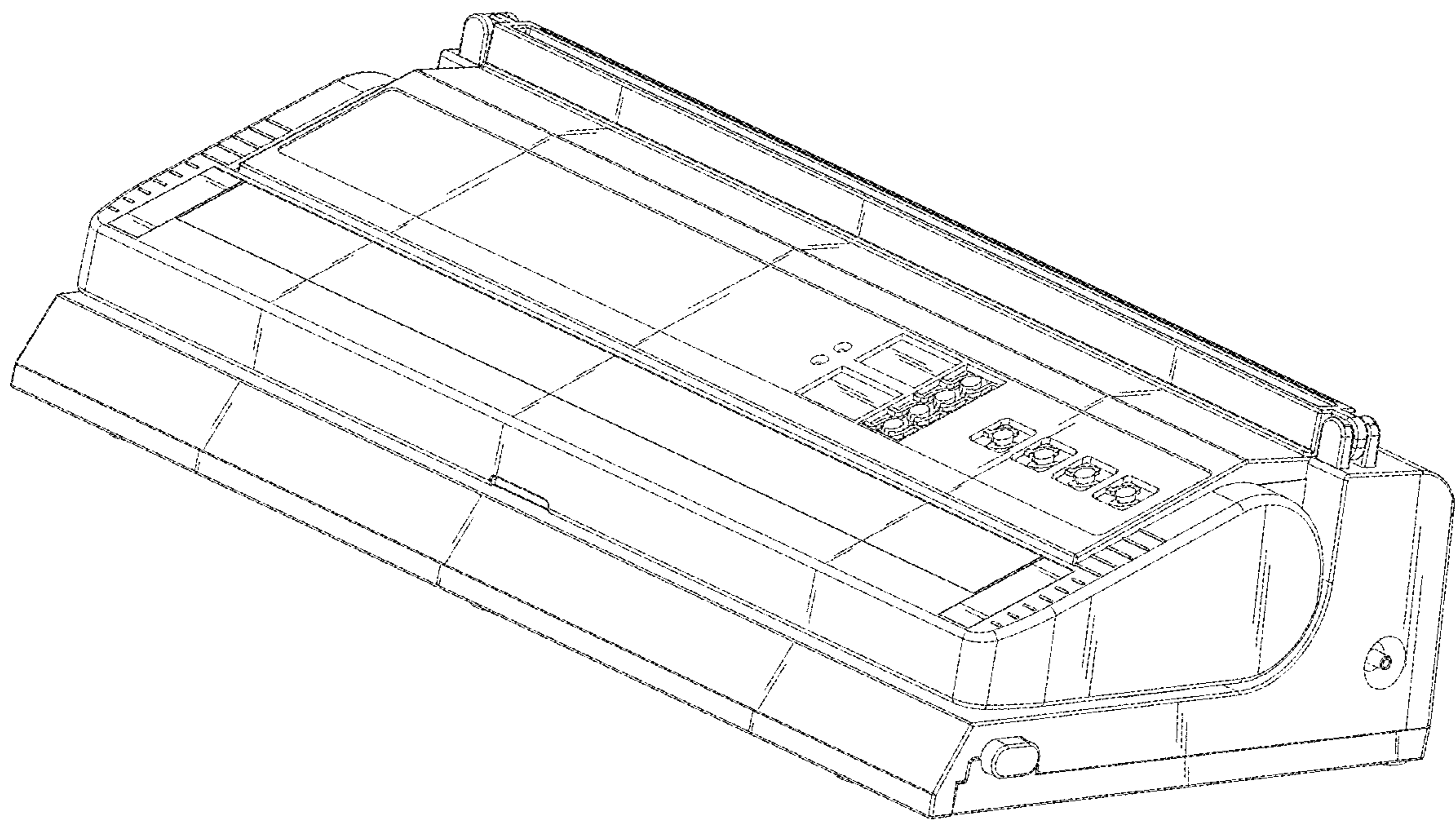


FIG. 7

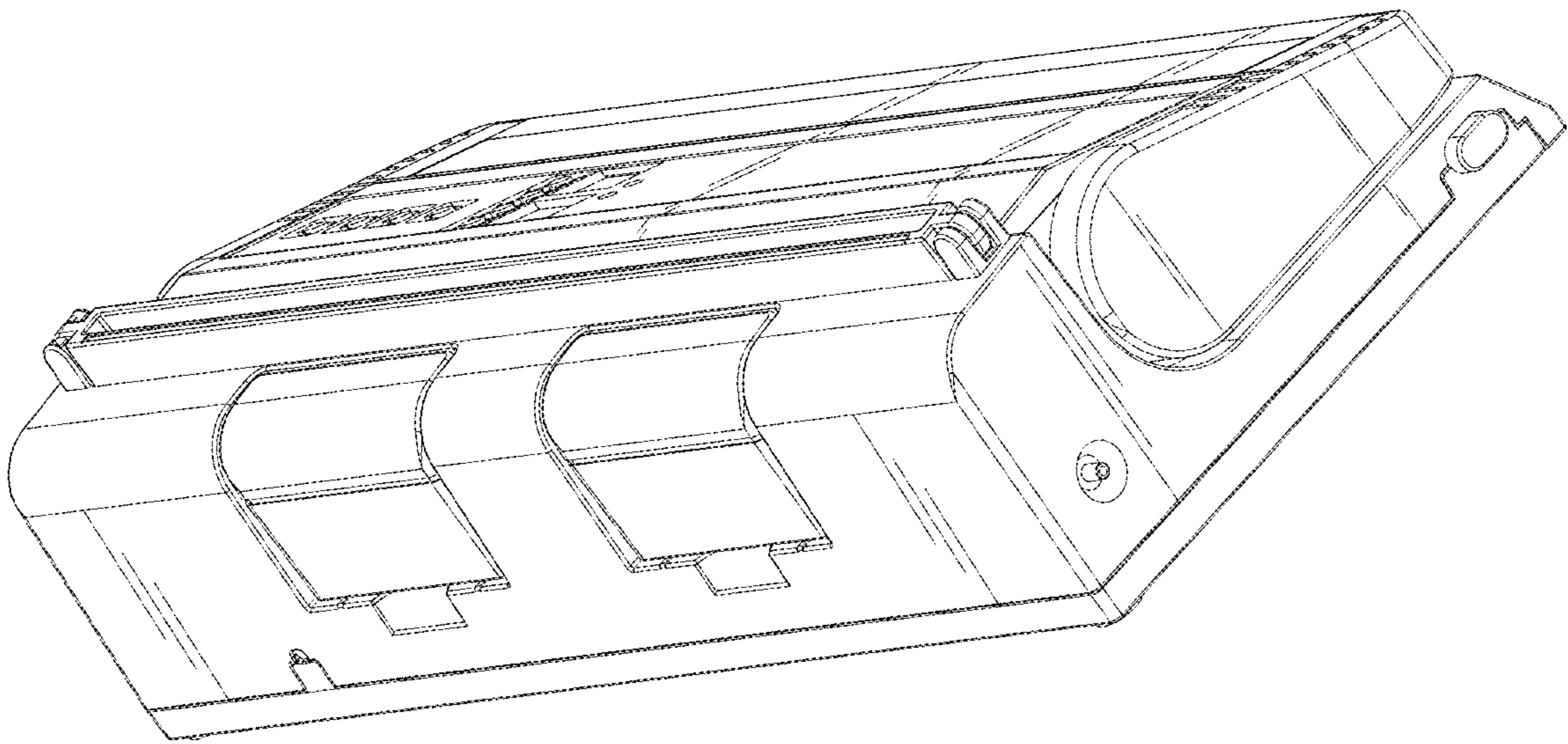


FIG. 8

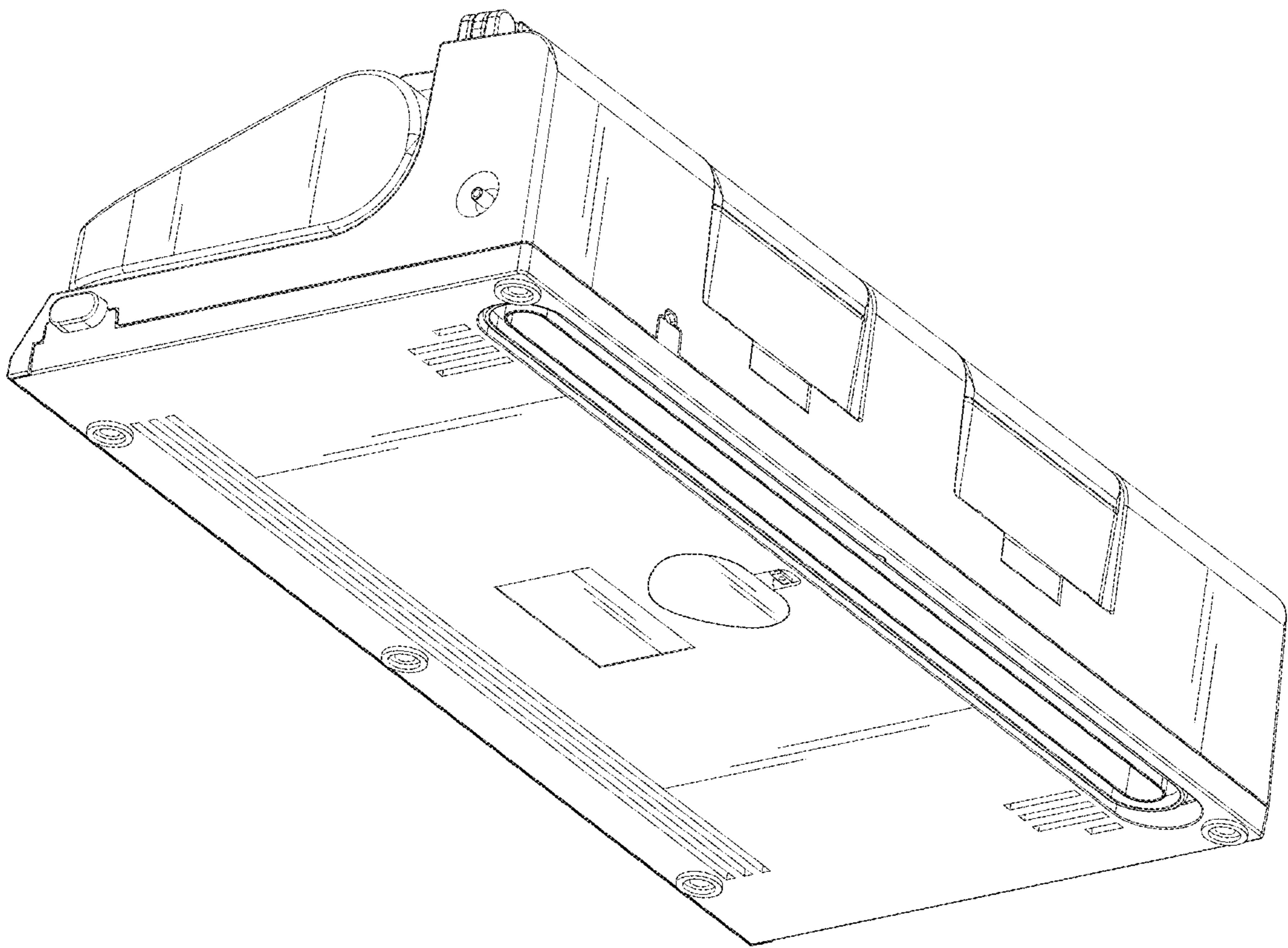


FIG. 9