



US00D958852S

(12) **United States Design Patent**  
**Yu et al.**

(10) **Patent No.:** **US D958,852 S**  
(45) **Date of Patent:** **\*\* Jul. 26, 2022**

(54) **SCROLL SAW**

(71) Applicant: **WEIHAI ALLWIN ELECTRICAL & MECHANICAL TECH. CO., LTD.**, Weihai (CN)

(72) Inventors: **Fei Yu**, Weihai (CN); **Xuguang Jing**, Weihai (CN); **Xiangdong Du**, Weihai (CN); **Jingde Wang**, Weihai (CN); **Jian Sun**, Weihai (CN)

(73) Assignee: **WEIHAI ALLWIN ELECTRICAL & MECHANICAL TECH. CO., LTD.**, Weihai (CN)

(\*\*) Term: **15 Years**

(21) Appl. No.: **29/766,397**

(22) Filed: **Jan. 15, 2021**

(30) **Foreign Application Priority Data**

Oct. 14, 2020 (CN) ..... 202030610129.0

(51) **LOC (13) Cl.** ..... **15-09**

(52) **U.S. Cl.**  
USPC ..... **D15/133**

(58) **Field of Classification Search**  
USPC ..... D8/20, 35, 14, 16, 18, 19, 64, 66, 70;  
D10/64, 65; D15/122, 124, 127, 133,  
D15/134, 138, 139; D19/39, 40;  
D24/146, 147  
CPC ..... B28D 1/088; B23D 57/0038;  
B23D 57/0053; B23D 57/0069  
See application file for complete search history.

(56) **References Cited**

**U.S. PATENT DOCUMENTS**

4,619,171 A \* 10/1986 Miller ..... B23D 49/007  
83/699.61  
D292,713 S \* 11/1987 Miller ..... D15/133

D327,279 S \* 6/1992 Brickner ..... D15/133  
D366,881 S \* 2/1996 Eccardt ..... D15/133  
D392,984 S \* 3/1998 Armstrong ..... D15/133  
D397,343 S \* 8/1998 Chen ..... D15/133  
D402,671 S \* 12/1998 Welsh ..... D15/133  
D417,227 S \* 11/1999 Lei ..... D15/133  
D423,525 S \* 4/2000 Brazell ..... D15/133  
D429,260 S \* 8/2000 Ohi ..... D15/133  
D446,228 S \* 8/2001 Hsu ..... D15/133  
D453,346 S \* 2/2002 Young ..... D15/133  
D508,506 S \* 8/2005 Hulsey ..... D15/133  
D626,160 S \* 10/2010 Jebb ..... D15/134  
2005/0099801 A1 \* 5/2005 Zhang ..... B23Q 17/2404  
362/119

**FOREIGN PATENT DOCUMENTS**

GB 2406825 A \* 4/2005 ..... B23D 49/007

\* cited by examiner

*Primary Examiner* — Michael C Stout

*Assistant Examiner* — Fritzgerald L Butac

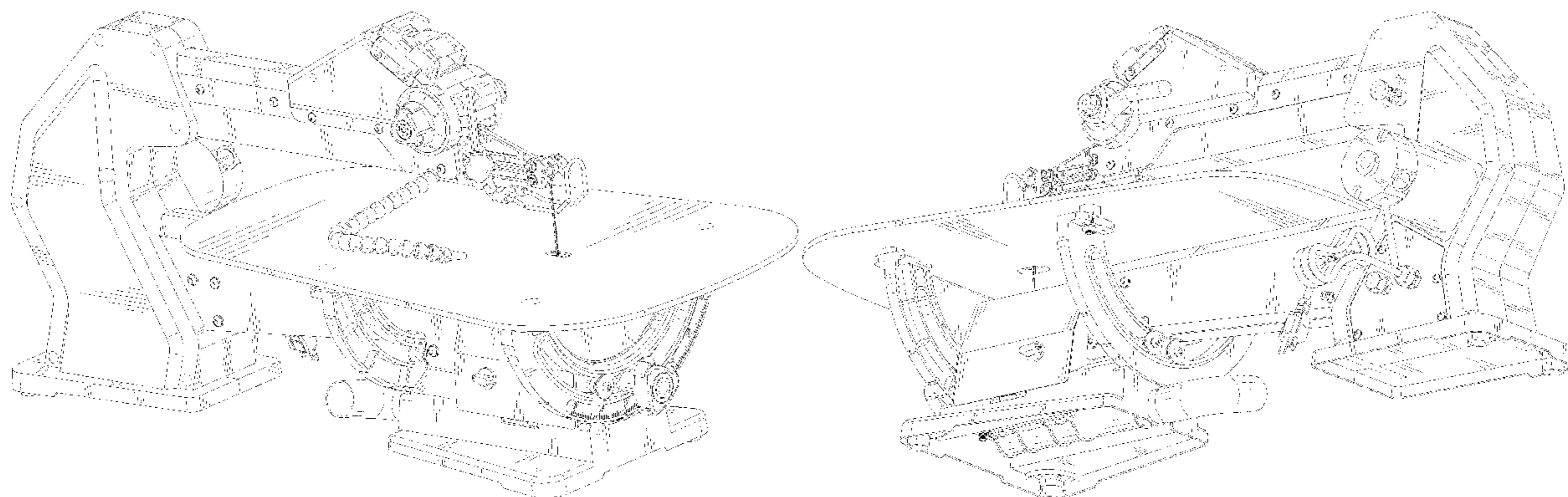
(57) **CLAIM**

The ornamental design for a scroll saw, as shown and described.

**DESCRIPTION**

FIG. 1 is a perspective view of a scroll saw showing my new design;  
FIG. 2 is another perspective view thereof;  
FIG. 3 is a front elevational view thereof;  
FIG. 4 is a rear elevational view thereof;  
FIG. 5 is a left side elevational view thereof;  
FIG. 6 is a right side elevational view thereof;  
FIG. 7 is a top plan view thereof; and,  
FIG. 8 is a bottom plan view thereof.  
The broken lines in the drawings depict portions of the scroll saw that form no part of the claimed design.

**1 Claim, 8 Drawing Sheets**



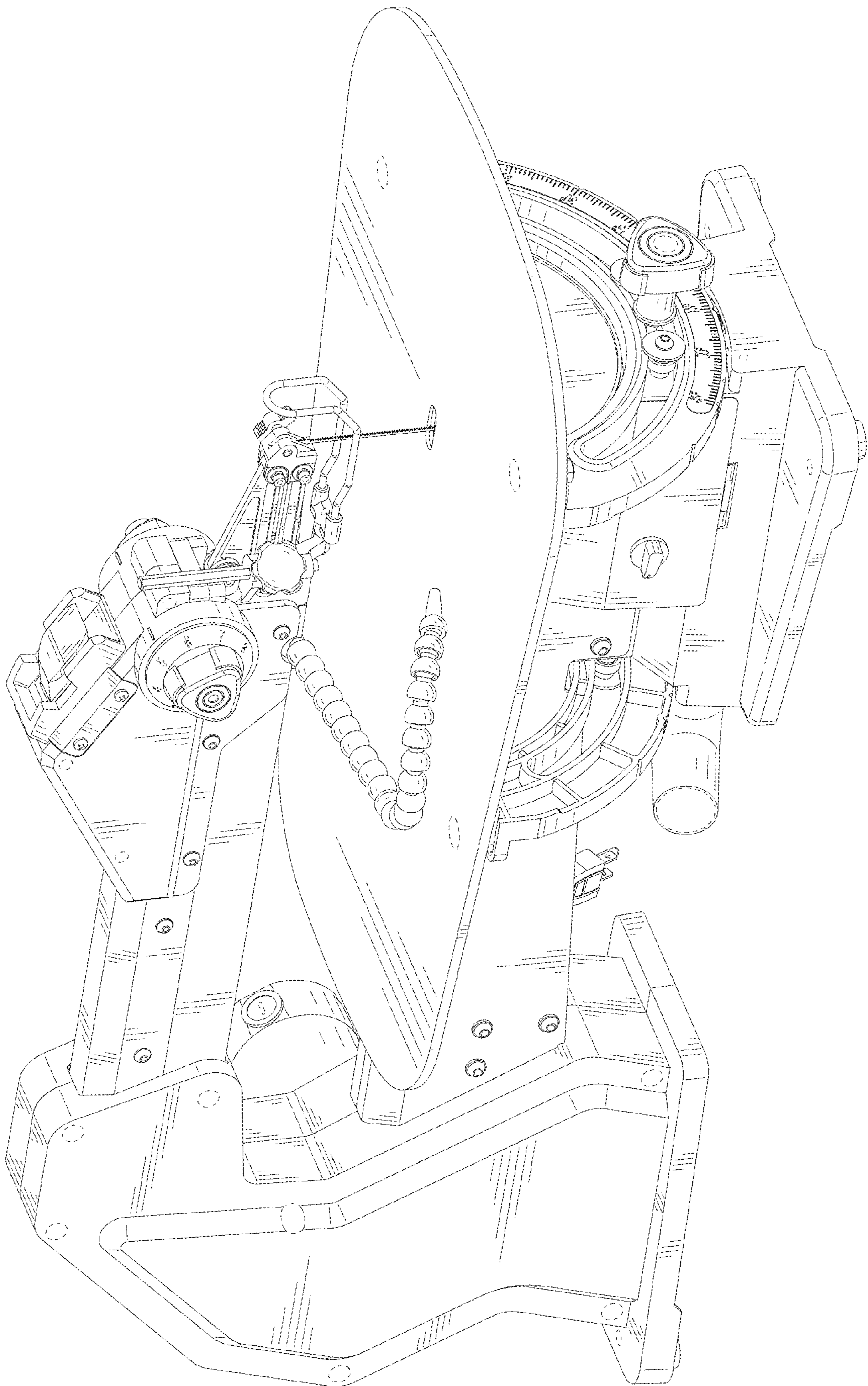


FIG. 1

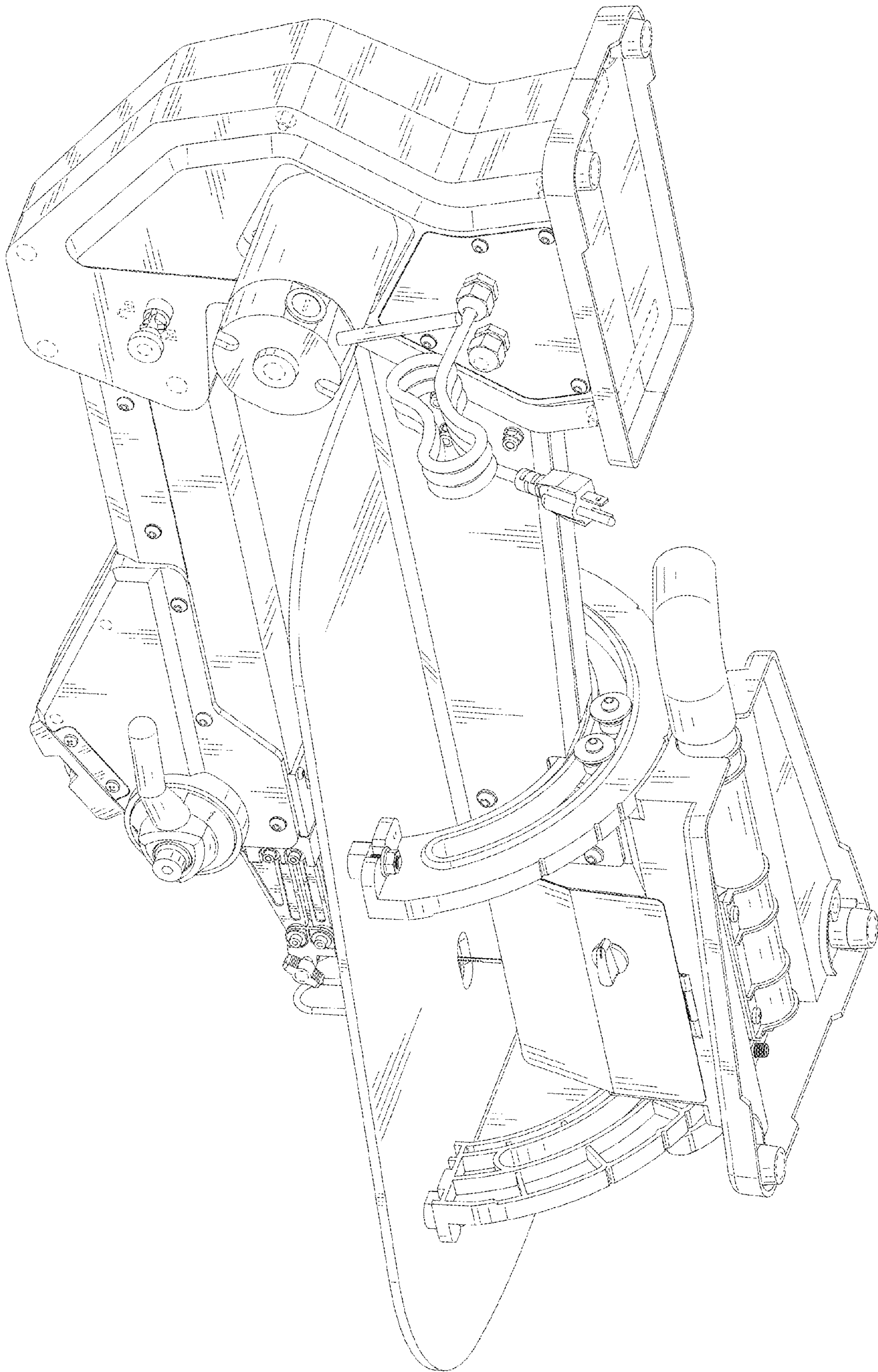


FIG. 2

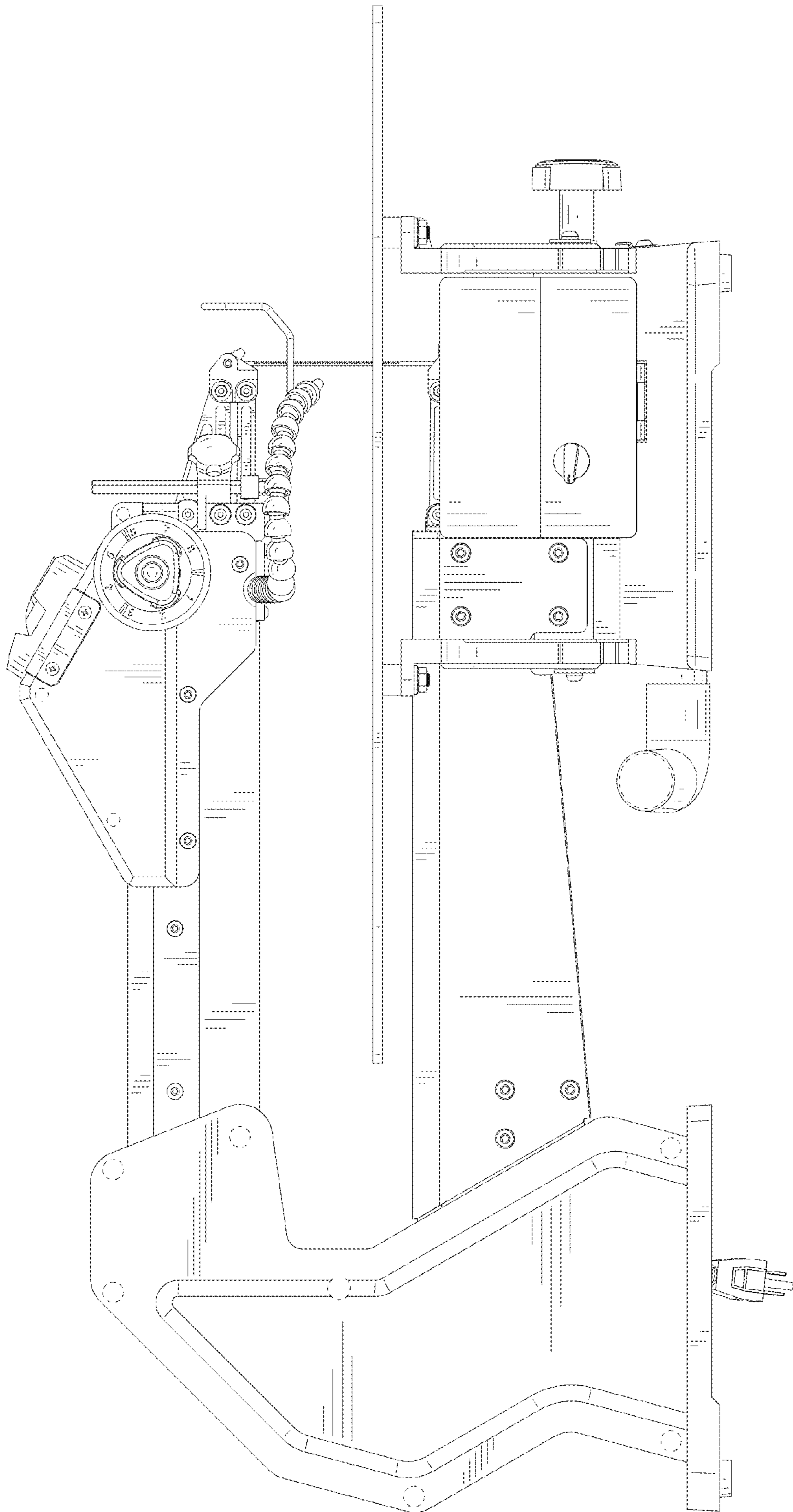


FIG. 3

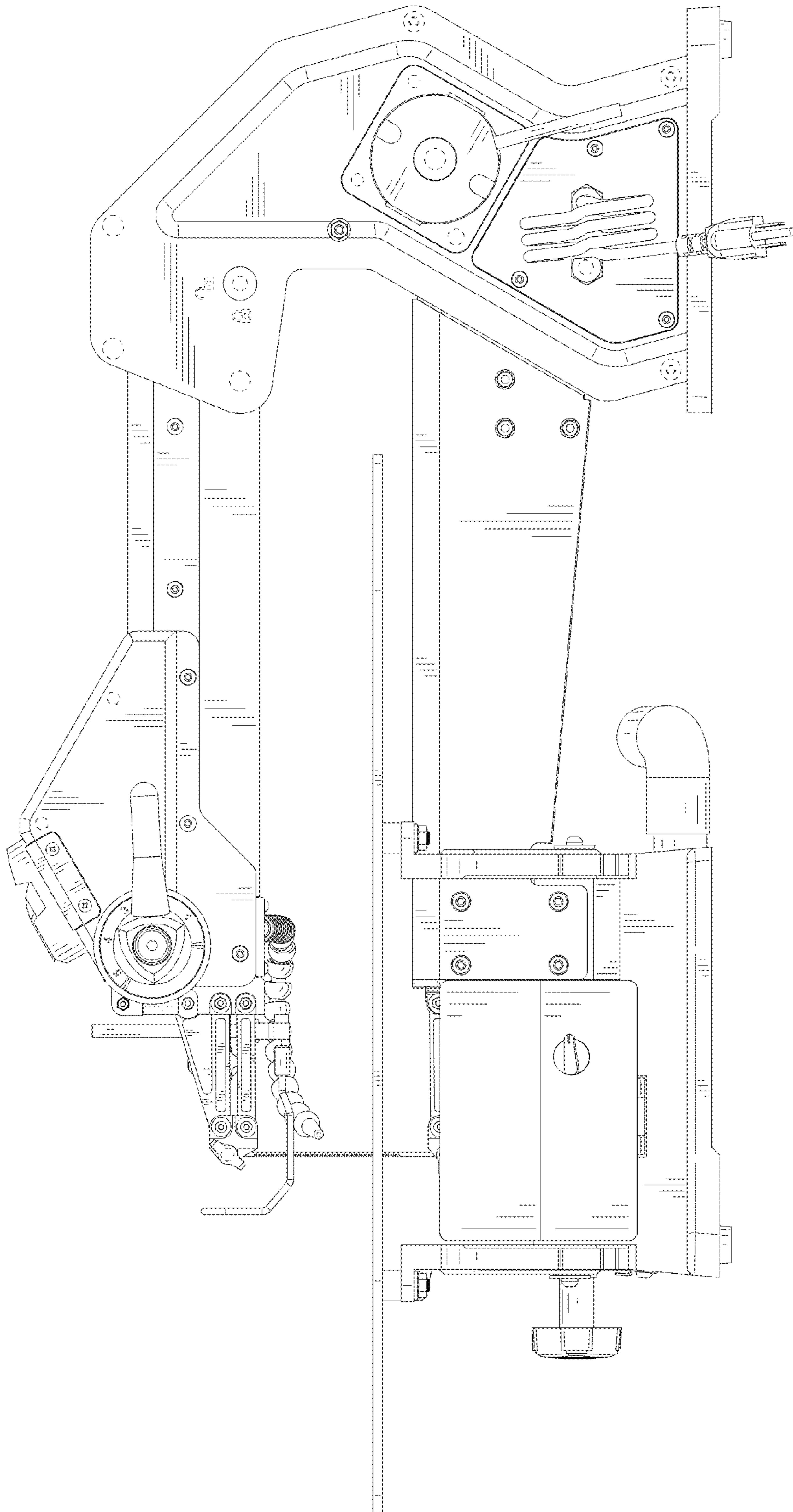


FIG. 4

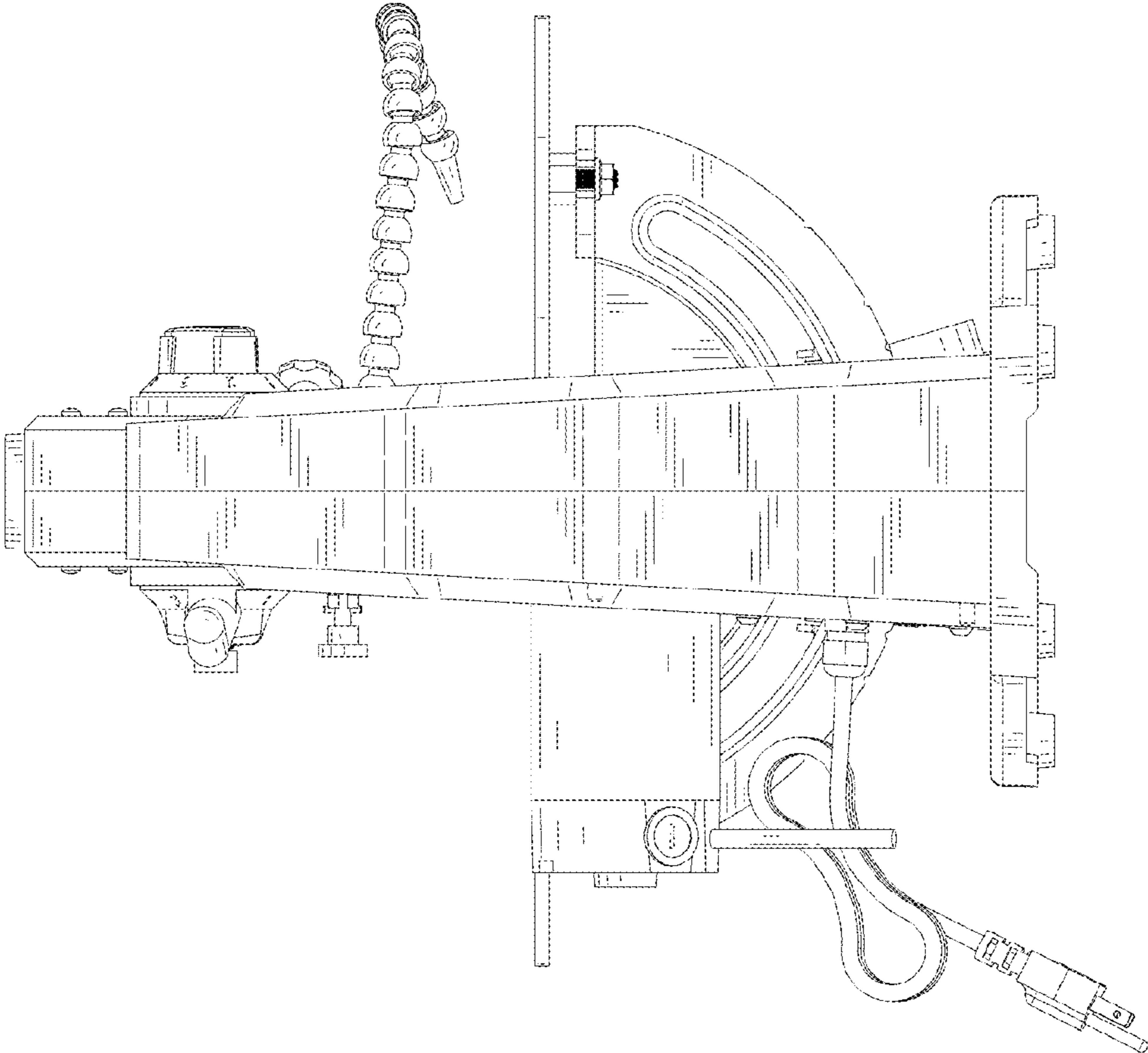


FIG. 5

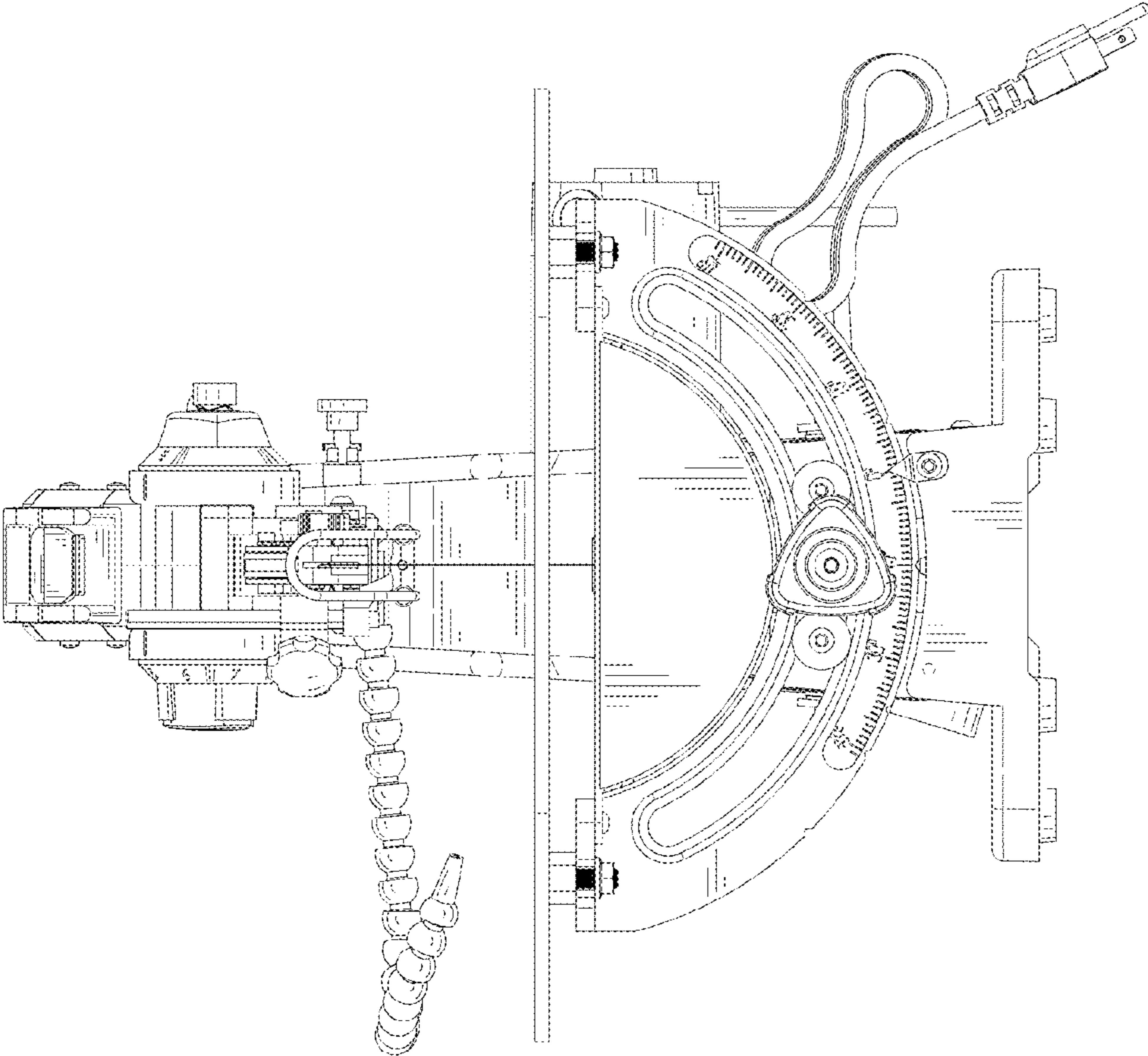


FIG. 6

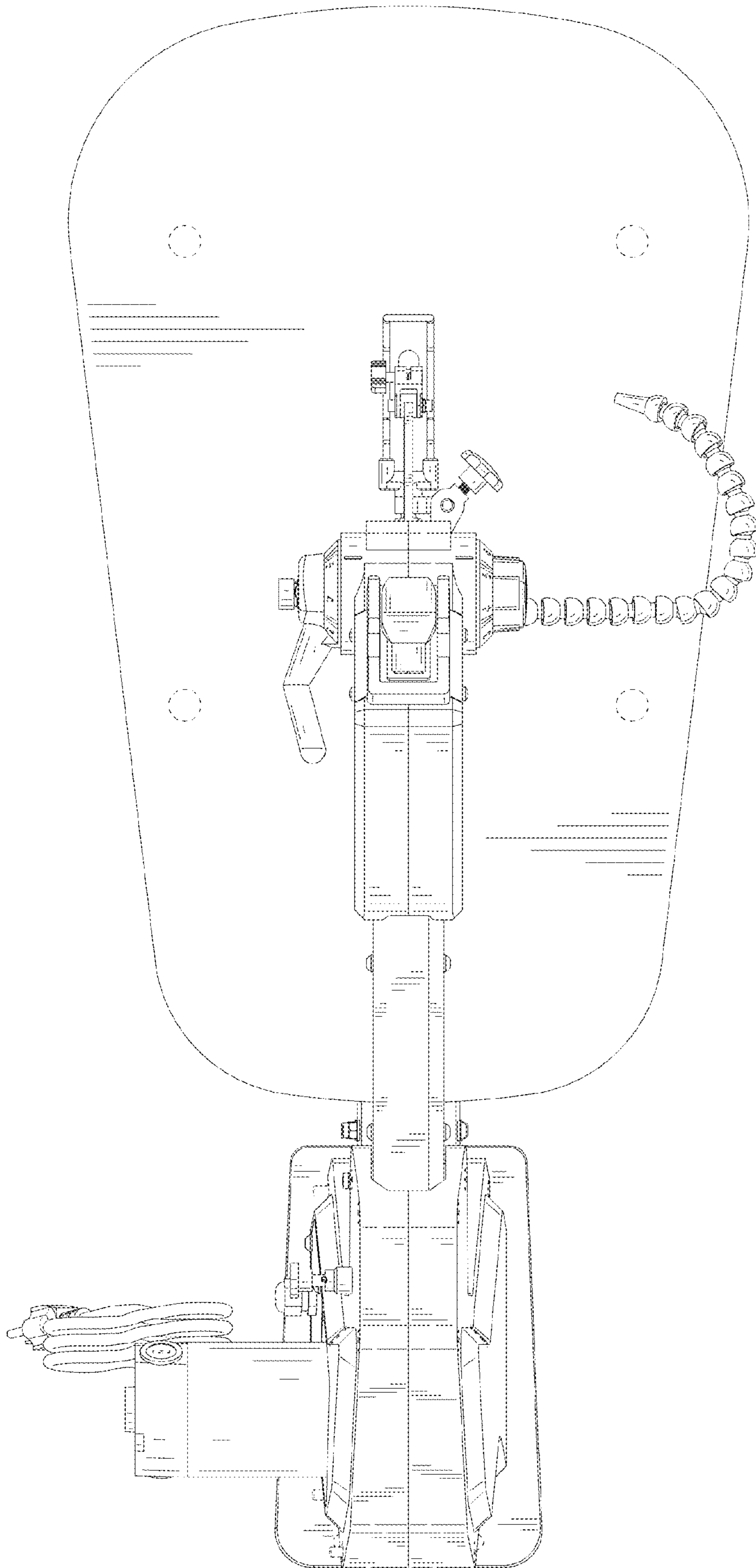


FIG. 7



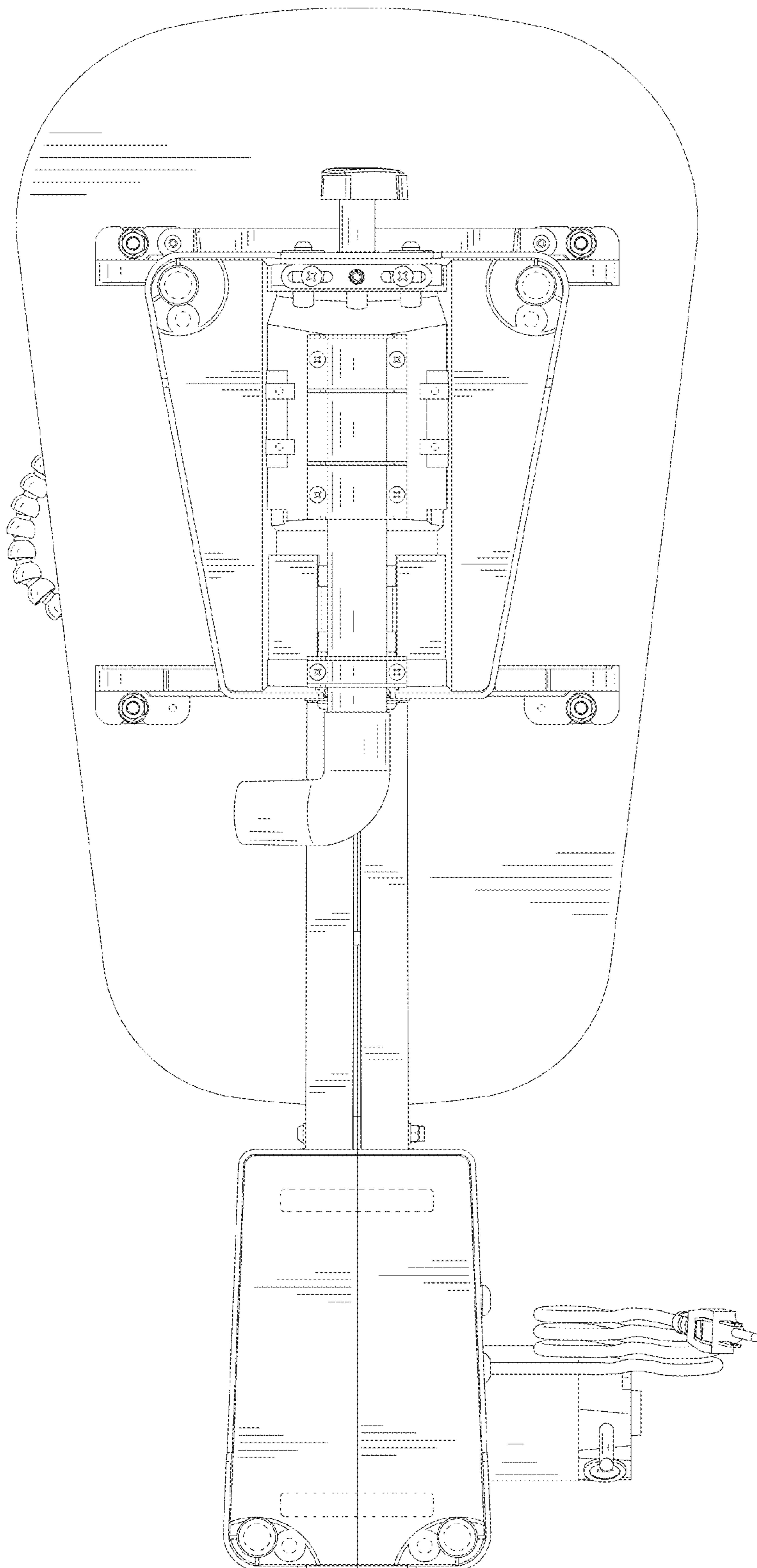


FIG. 8