



US00D958851S

(12) **United States Design Patent**  
**Jin**

(10) **Patent No.:** **US D958,851 S**

(45) **Date of Patent:** **\*\* Jul. 26, 2022**

- (54) **BADGE MAKING MACHINE**
- (71) Applicant: **Fuwei Jin**, Zhejiang (CN)
- (72) Inventor: **Fuwei Jin**, Zhejiang (CN)
- (73) Assignee: **Yiwu Dongcheng Digital Technology Co., Ltd.**, Yiwu (CN)
- (\*\*) Term: **15 Years**
- (21) Appl. No.: **29/745,621**
- (22) Filed: **Aug. 7, 2020**
- (51) **LOC (13) Cl.** ..... **15-09**
- (52) **U.S. Cl.**  
USPC ..... **D15/122**
- (58) **Field of Classification Search**  
USPC ..... D15/122, 123, 128, 130, 136, 138, 199;  
D8/395, 343  
CPC ..... B28B 1/025; B28B 1/02; B28B 17/00;  
B28B 17/0081  
See application file for complete search history.

- 836,916 A \* 11/1906 Breitenstein ..... B21D 53/48  
79/4
- 1,092,492 A \* 4/1914 Lausen ..... B21D 53/48  
79/4
- 3,661,039 A \* 5/1972 Lewis ..... A44B 1/06  
83/444
- 4,133,261 A \* 1/1979 Belfils ..... B30B 9/321  
D15/123
- D254,495 S \* 3/1980 Roebuck ..... D15/199
- D274,624 S \* 7/1984 DiFede ..... D15/123
- D364,410 S \* 11/1995 Schriever ..... D15/123
- D485,145 S \* 1/2004 Lee ..... D15/123
- D632,318 S \* 2/2011 Sindlinger ..... D15/128

\* cited by examiner

*Primary Examiner* — Nathaniel D. Buckner

(57) **CLAIM**

The ornamental design for a badge making machine, as shown and described.

**DESCRIPTION**

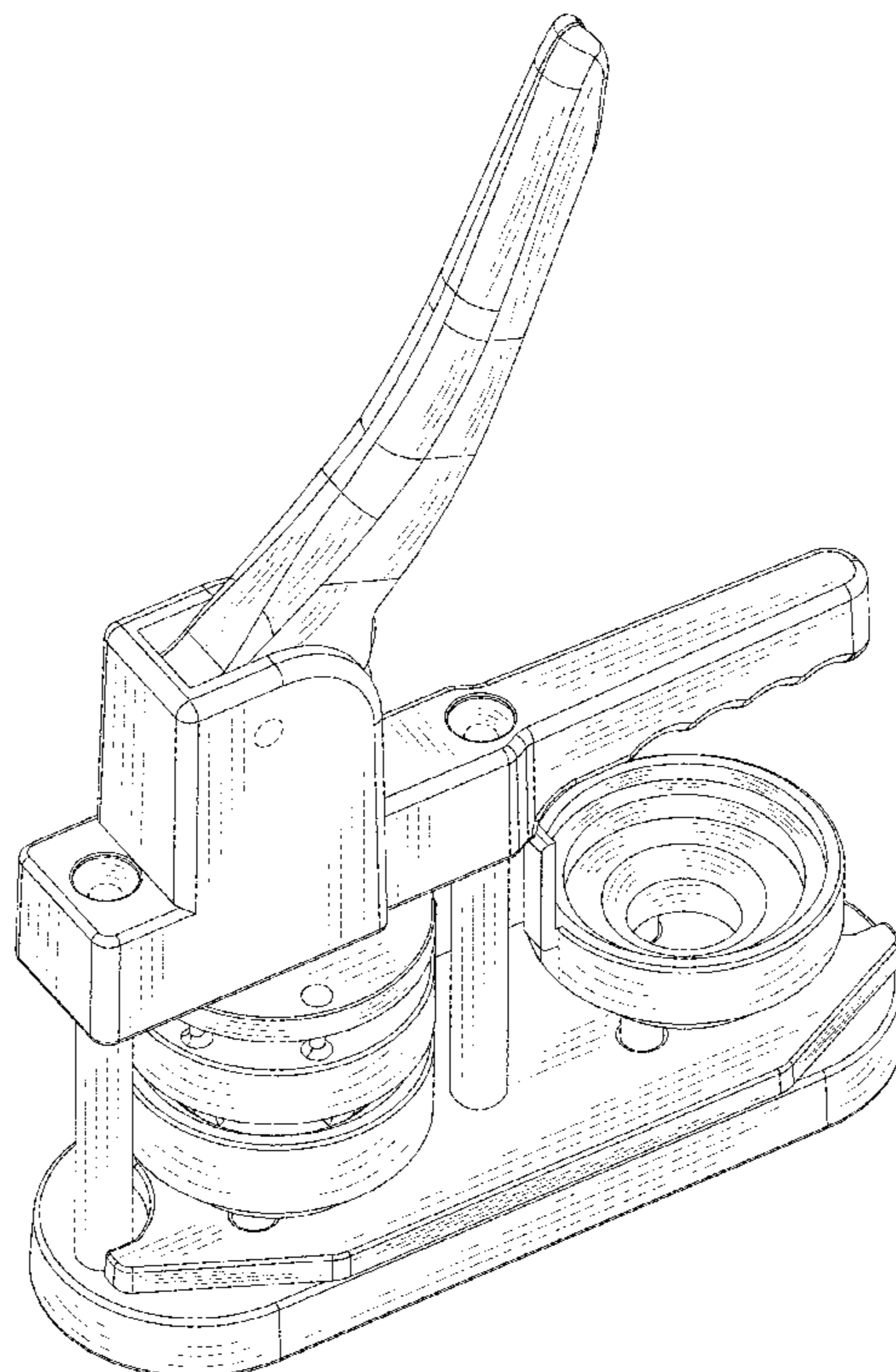
FIG. 1 is a perspective view of a badge making machine showing my new design;  
 FIG. 2 is a front elevational view thereof;  
 FIG. 3 is a rear elevational view thereof;  
 FIG. 4 is a left side elevational view thereof;  
 FIG. 5 is a right side elevational view thereof;  
 FIG. 6 is a top plan view thereof;  
 FIG. 7 is a bottom plan view thereof; and,  
 FIG. 8 is another front elevational view thereof.  
 The broken lines throughout the drawing figures depict portions of the badge making machine that form no part of the claimed design.

**1 Claim, 8 Drawing Sheets**

(56) **References Cited**

**U.S. PATENT DOCUMENTS**

- 617,277 A \* 1/1899 Campbell ..... B21D 45/06  
72/344
- 644,645 A \* 3/1900 Silsby ..... B21D 53/48  
79/4
- 701,116 A \* 5/1902 Willyerd ..... B21D 53/48  
79/4
- 776,597 A \* 12/1904 Keplinger ..... B21D 53/48  
79/4



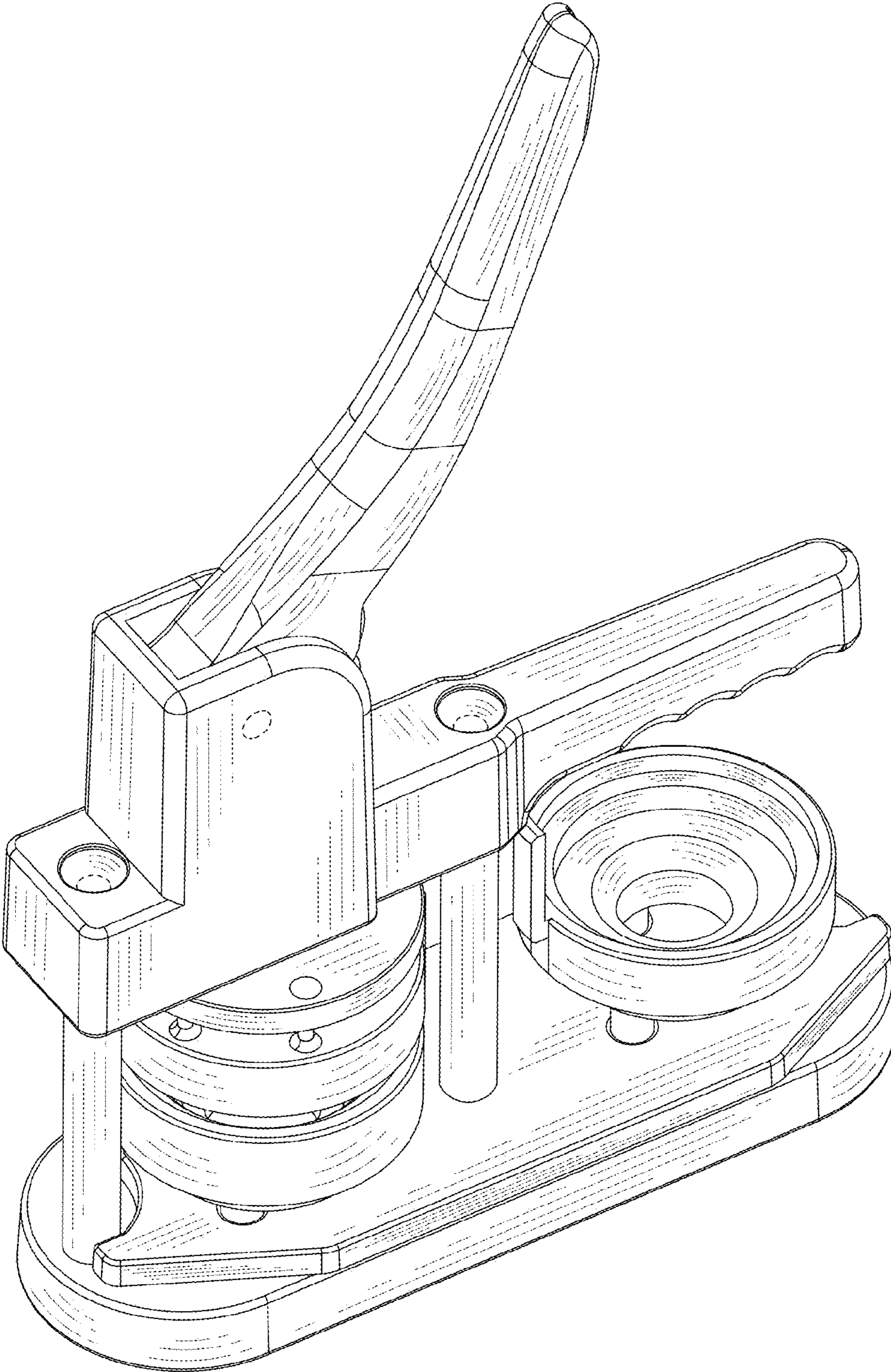


FIG.1

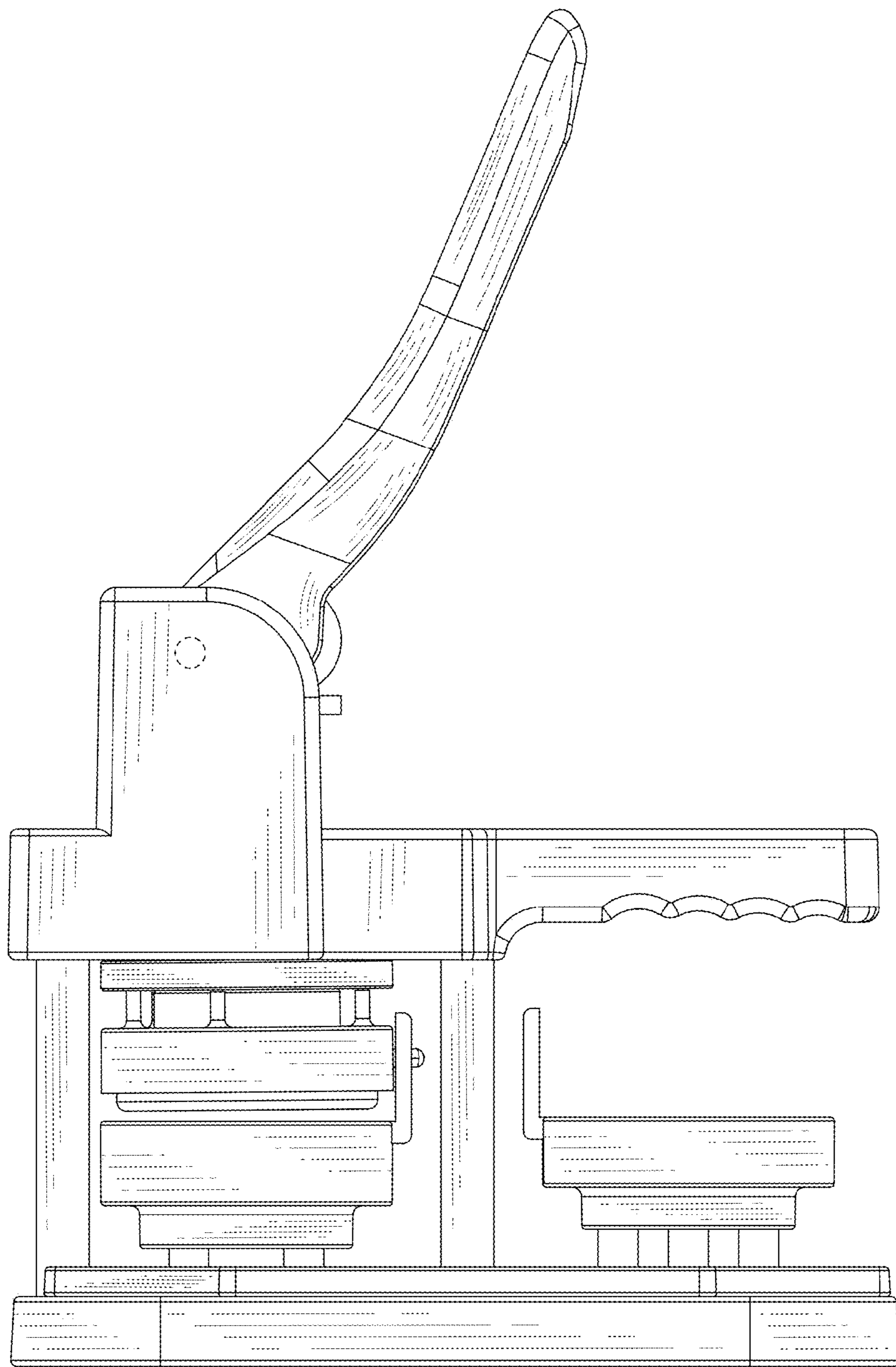


FIG.2



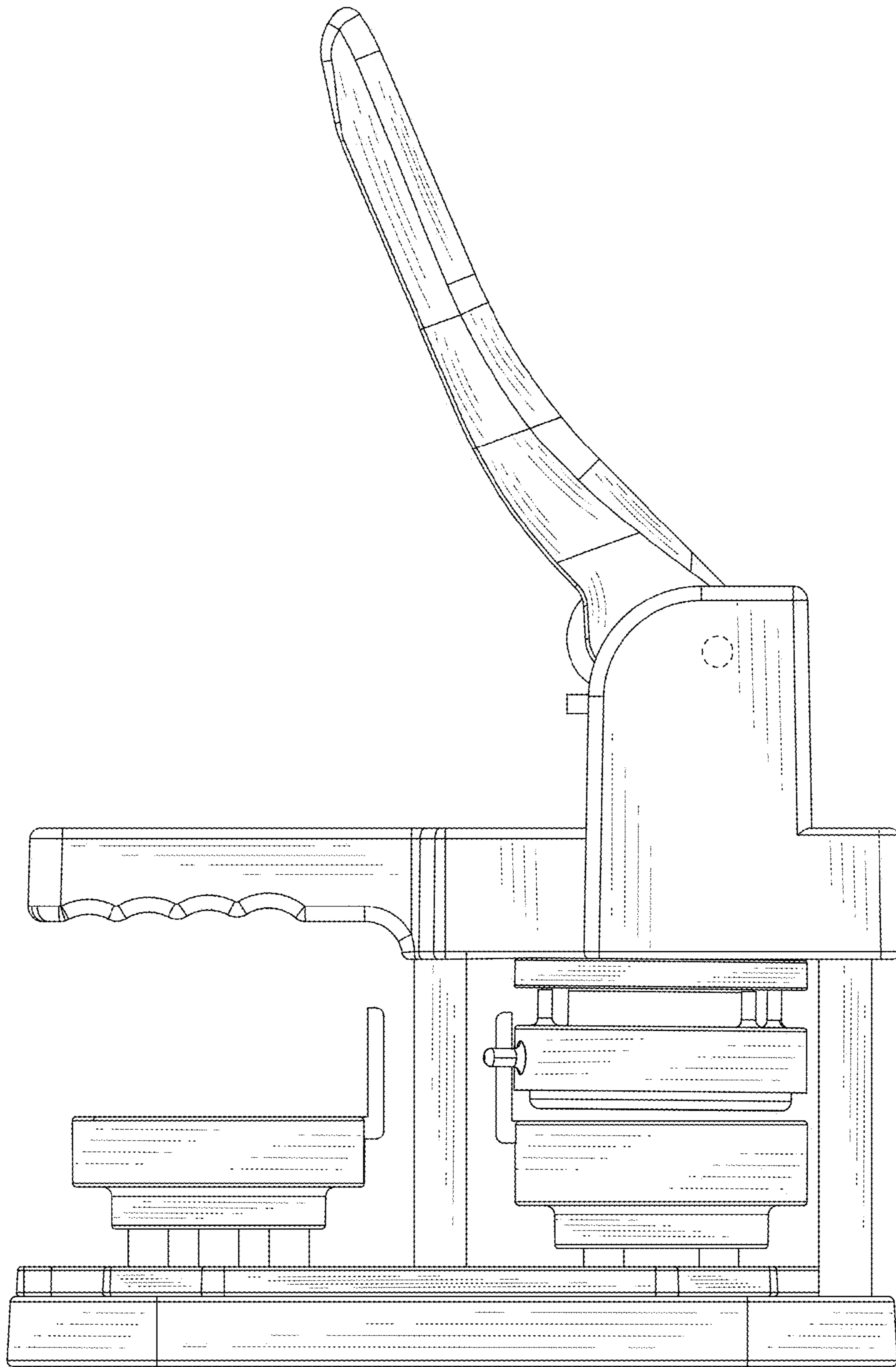


FIG.3

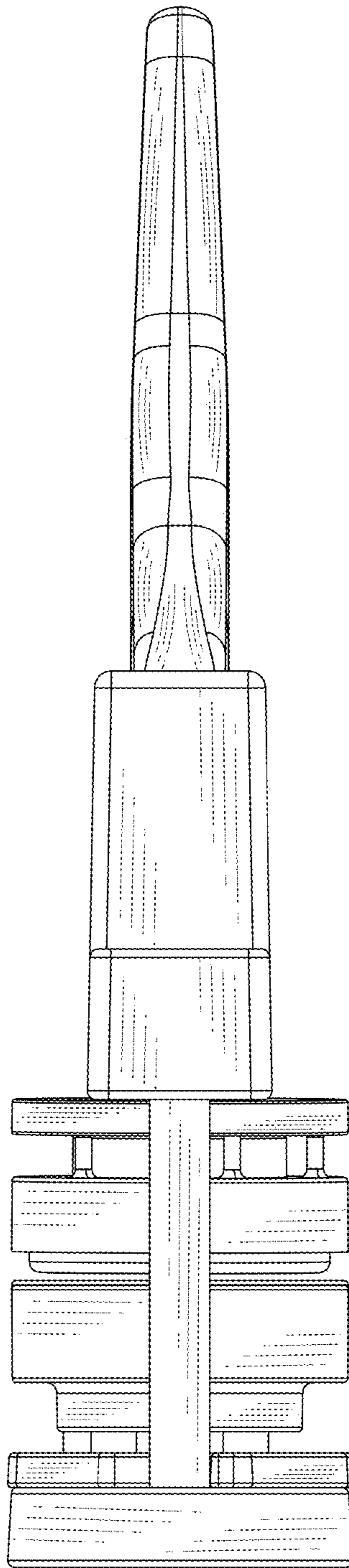


FIG.4

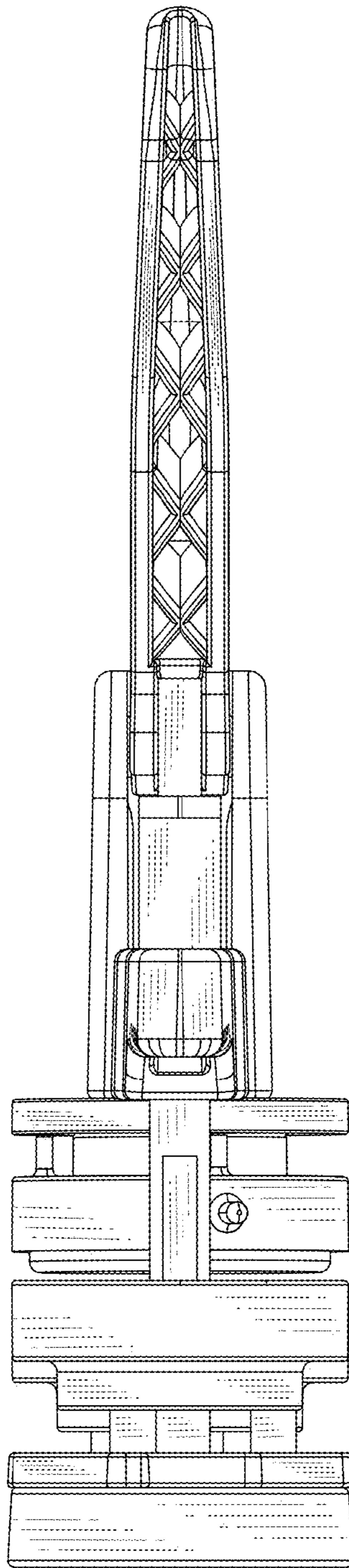


FIG.5

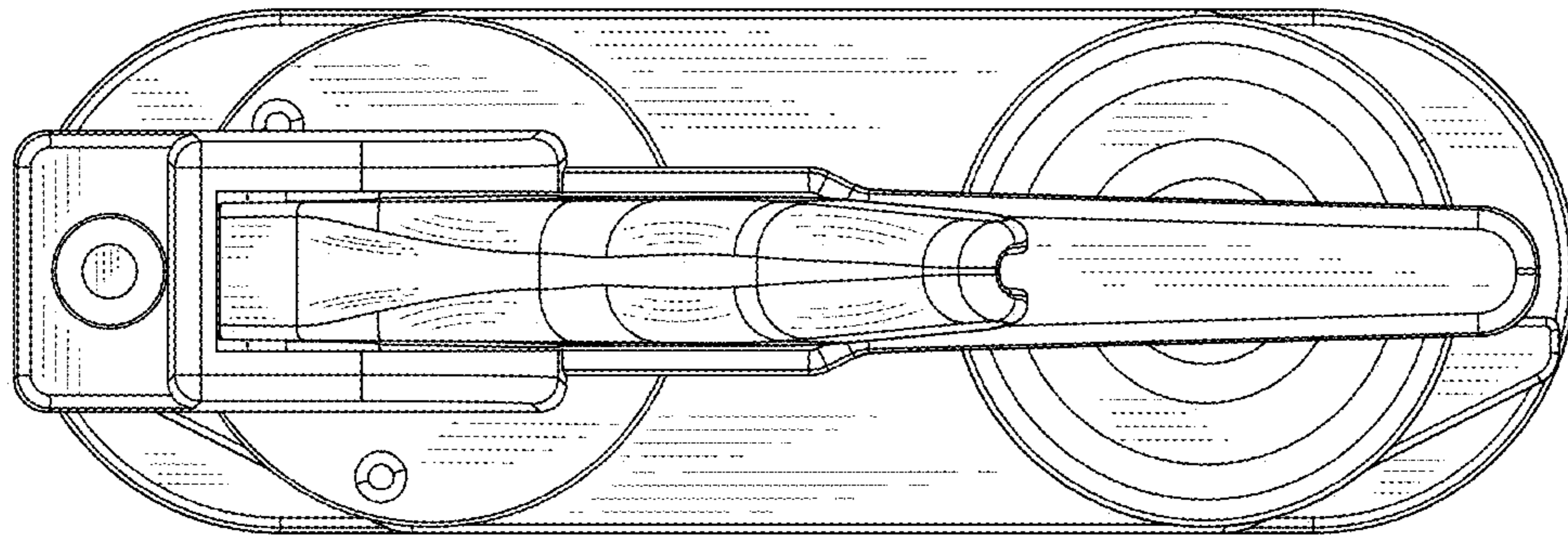


FIG.6

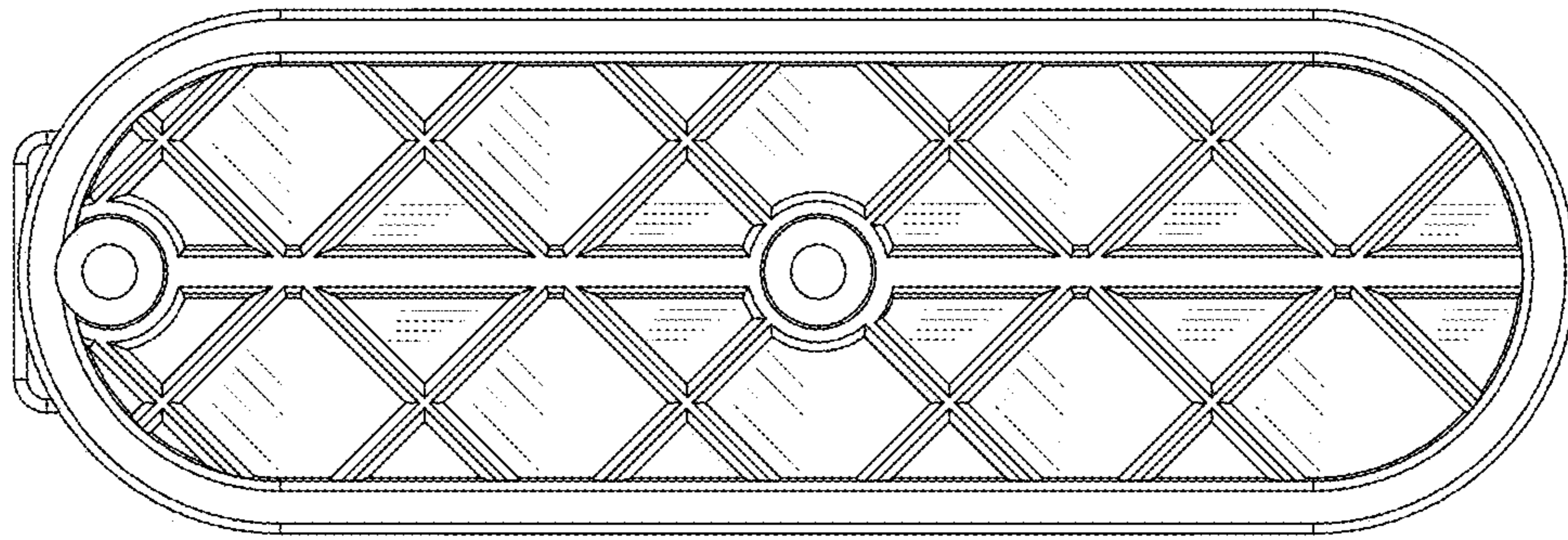


FIG.7



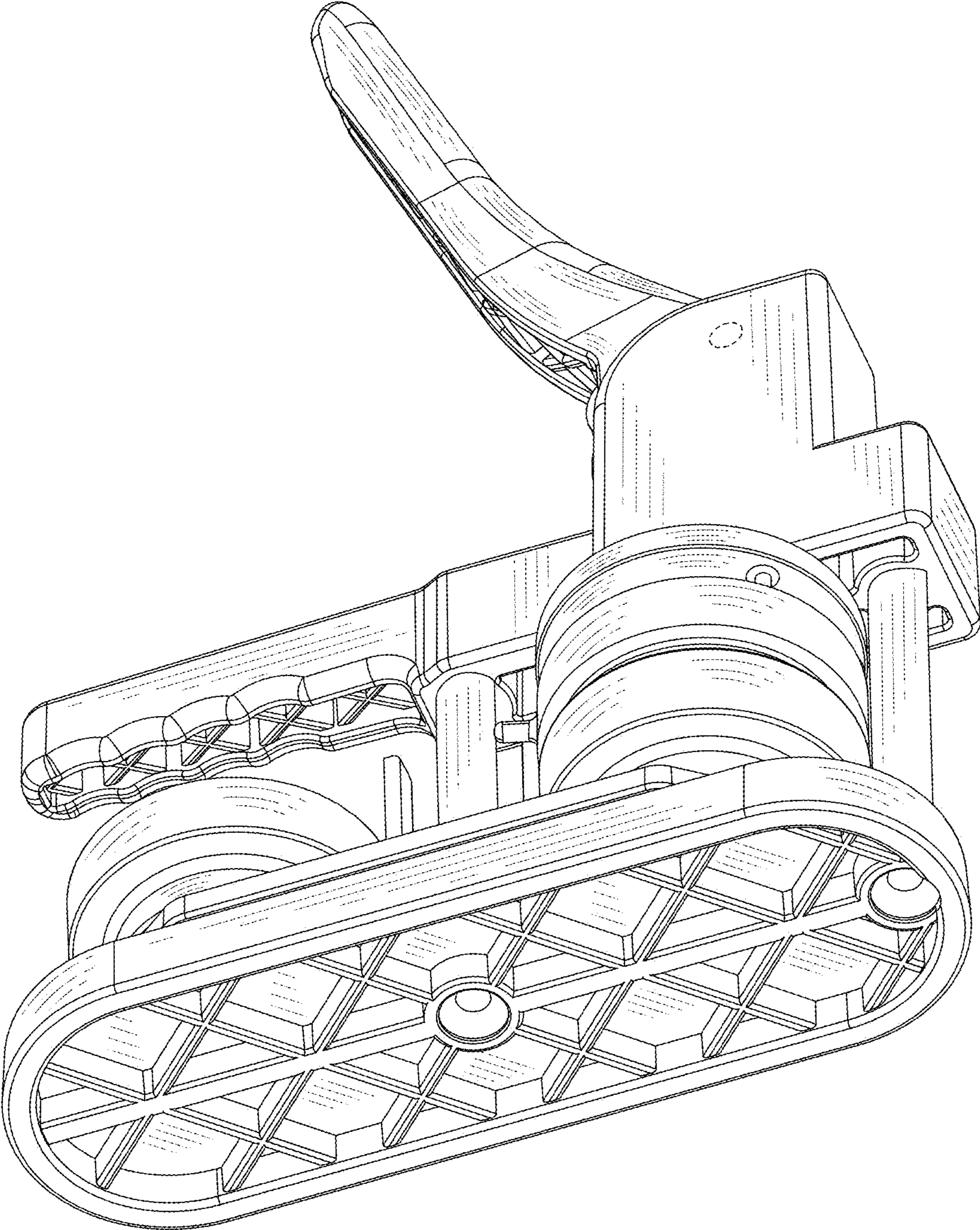


FIG.8