



US00D958850S

(12) **United States Design Patent**
Kim et al.

(10) **Patent No.:** **US D958,850 S**
(45) **Date of Patent:** **** Jul. 26, 2022**

(54) **REFRIGERATOR**

(71) Applicant: **Samsung Electronics Co., Ltd.**,
Suwon-si (KR)

(72) Inventors: **Jang-Won Kim**, Suwon-si (KR);
Ae-Ryun Kim, Suwon-si (KR);
Seok-Woo Kim, Suwon-si (KR);
Sang-Hyun Lee, Suwon-si (KR);
Young-Sun Shin, Suwon-si (KR);
Kang-Doo Kim, Suwon-si (KR);
Dong-Hyuk Uim, Suwon-si (KR)

(73) Assignee: **Samsung Electronics Co., Ltd.**,
Suwon-si (KR)

(**) Term: **15 Years**

(21) Appl. No.: **29/759,798**

(22) Filed: **Nov. 25, 2020**

(30) **Foreign Application Priority Data**

Oct. 14, 2020 (KR) 30-2020-0049155

(51) **LOC (13) Cl.** **15-07**

(52) **U.S. Cl.**
USPC **D15/88**

(58) **Field of Classification Search**

USPC D15/79, 80, 81, 82, 83, 84, 85, 86, 87,
D15/88, 89, 90, 91

CPC F25C 2400/10; F25D 2400/10; F25D
2400/12; F25D 2400/14; F25D 2400/18;
G05B 2219/2654; G09F 23/0058; Y10S
292/71

See application file for complete search history.

(56) **References Cited**

U.S. PATENT DOCUMENTS

D82,770 S * 12/1930 Terry D15/81
D354,064 S * 1/1995 Sims D15/81

D394,270 S * 5/1998 Strandell D15/80
D512,081 S * 11/2005 Chang D15/81
D540,831 S * 4/2007 Kim D15/81
D568,909 S * 5/2008 Santiago D15/81
D618,257 S * 6/2010 Hanamure D15/79
D627,374 S * 11/2010 Yang D15/81
D630,231 S * 1/2011 Yang D15/81
D653,682 S * 2/2012 Herning D15/80
D698,371 S * 1/2014 Brenneis D15/81
D705,278 S * 5/2014 Schaefer D15/81
D713,863 S * 9/2014 Cosgrove D15/88
D729,288 S * 5/2015 Glaros D15/91
D729,289 S * 5/2015 Glaros D15/91

(Continued)

FOREIGN PATENT DOCUMENTS

CN 2018303909388 1/2019
CN 2018304973729 4/2019

(Continued)

Primary Examiner — Mojtaba Tehrani

(74) *Attorney, Agent, or Firm* — NSIP Law

(57) **CLAIM**

We claim the ornamental design for a refrigerator, as shown and described.

DESCRIPTION

FIG. 1 is a front perspective view of a refrigerator showing our new design;

FIG. 2 is a front view thereof;

FIG. 3 is a rear view thereof;

FIG. 4 is a left-side view thereof;

FIG. 5 is a right-side view thereof;

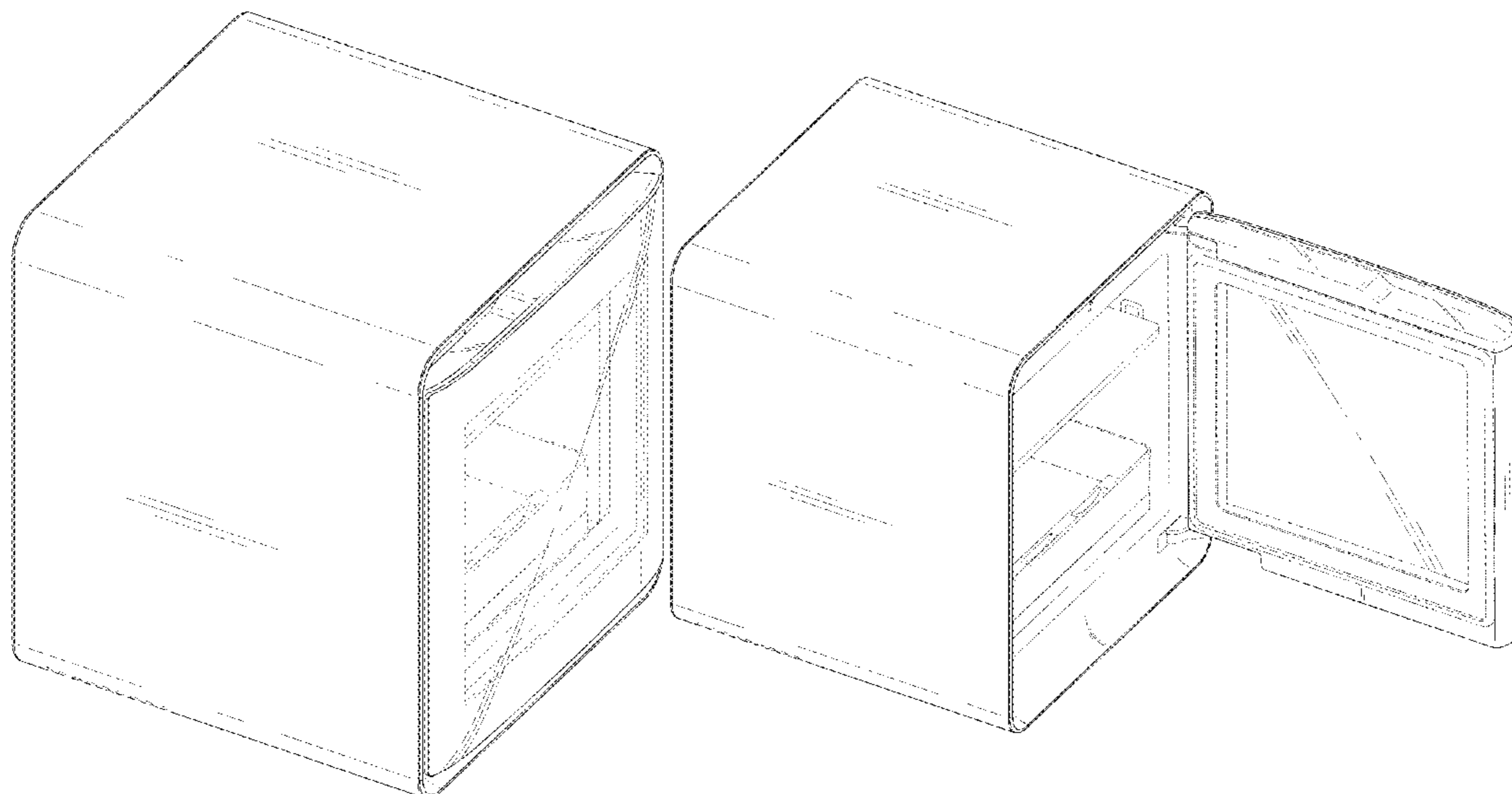
FIG. 6 is a top view thereof;

FIG. 7 is a bottom view thereof; and,

FIG. 8 is another front perspective view thereof shown in an open position.

The broken lines in the figures depict portions of the refrigerator which form no part of the claimed design.

1 Claim, 8 Drawing Sheets



(56)

References Cited

U.S. PATENT DOCUMENTS

D781,930	S *	3/2017	Ward	D15/79
D788,185	S *	5/2017	Wolfe	D15/79
D800,799	S *	10/2017	Feng	D15/81
D807,929	S *	1/2018	Feng	D15/81
D810,151	S *	2/2018	Wang	D15/88
D826,291	S *	8/2018	Lim	D15/81
D826,996	S *	8/2018	Feng	D15/91
D840,443	S *	2/2019	Aulisio	D15/81
D844,033	S *	3/2019	Lim	F25D 11/00 D15/79
D860,268	S *	9/2019	Jakobsen	D15/81
D867,407	S *	11/2019	Wang	D15/79
D867,408	S *	11/2019	Wang	D15/79
D878,532	S *	3/2020	Shin et al.		
D886,163	S *	6/2020	Yao	D15/81
D896,856	S *	9/2020	Zhou	D15/81
D913,344	S *	3/2021	Choi	D15/79
D924,946	S *	7/2021	Xu	D15/81
D927,562	S *	8/2021	Kong	D15/81
D930,716	S *	9/2021	Huang	D15/81
D937,910	S *	12/2021	Huang	D15/81
D940,209	S *	1/2022	Kong	D15/81
2007/0228909	A1 *	10/2007	Hwang	F25D 31/007 312/408
2014/0110414	A1 *	4/2014	Piendl	F25D 23/065 220/592.02

FOREIGN PATENT DOCUMENTS

CN	2018304975438	4/2019
CN	2019307210413	9/2020
KR	30-2016-0032296	2/2019

* cited by examiner

FIG. 1

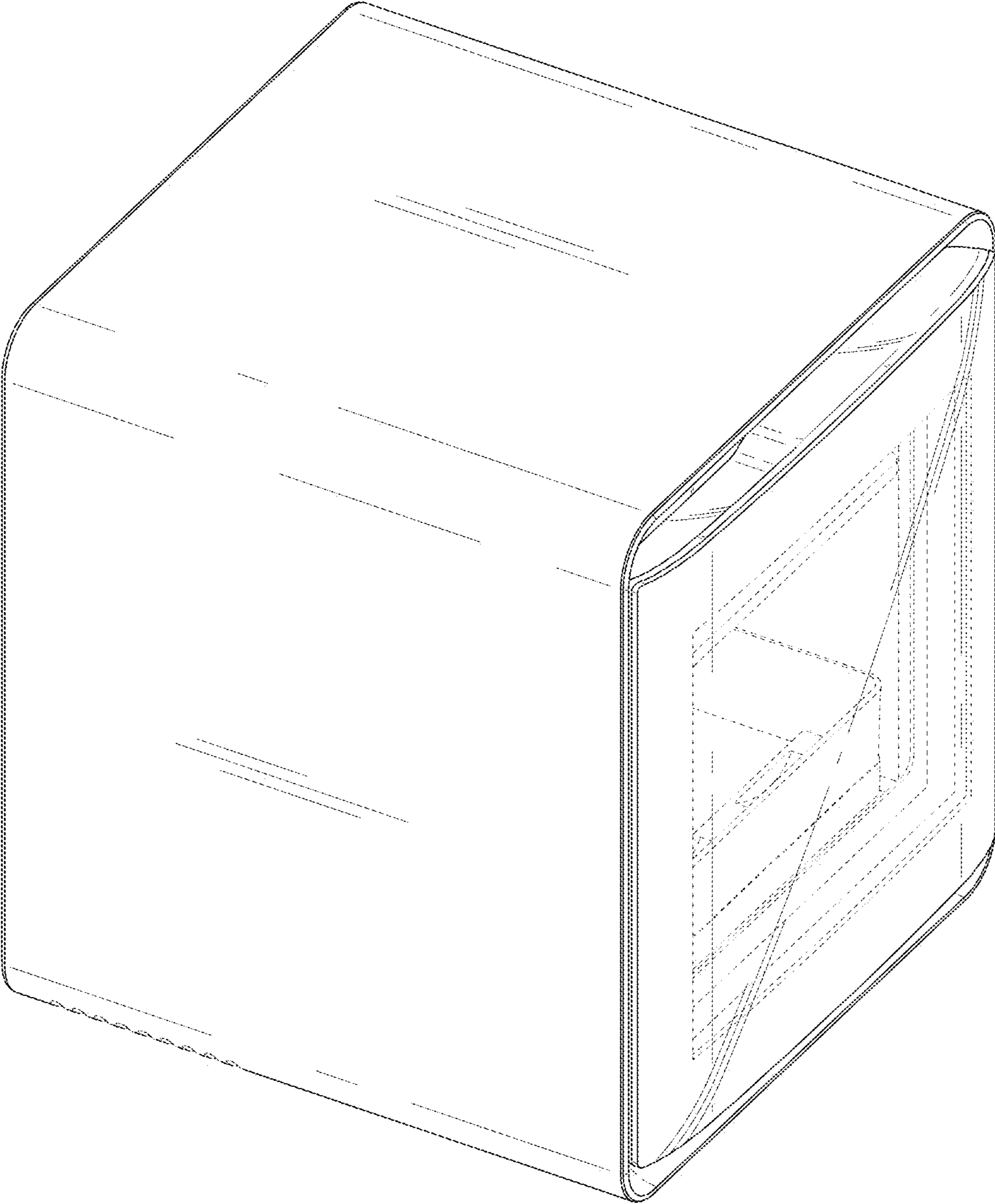


FIG. 2

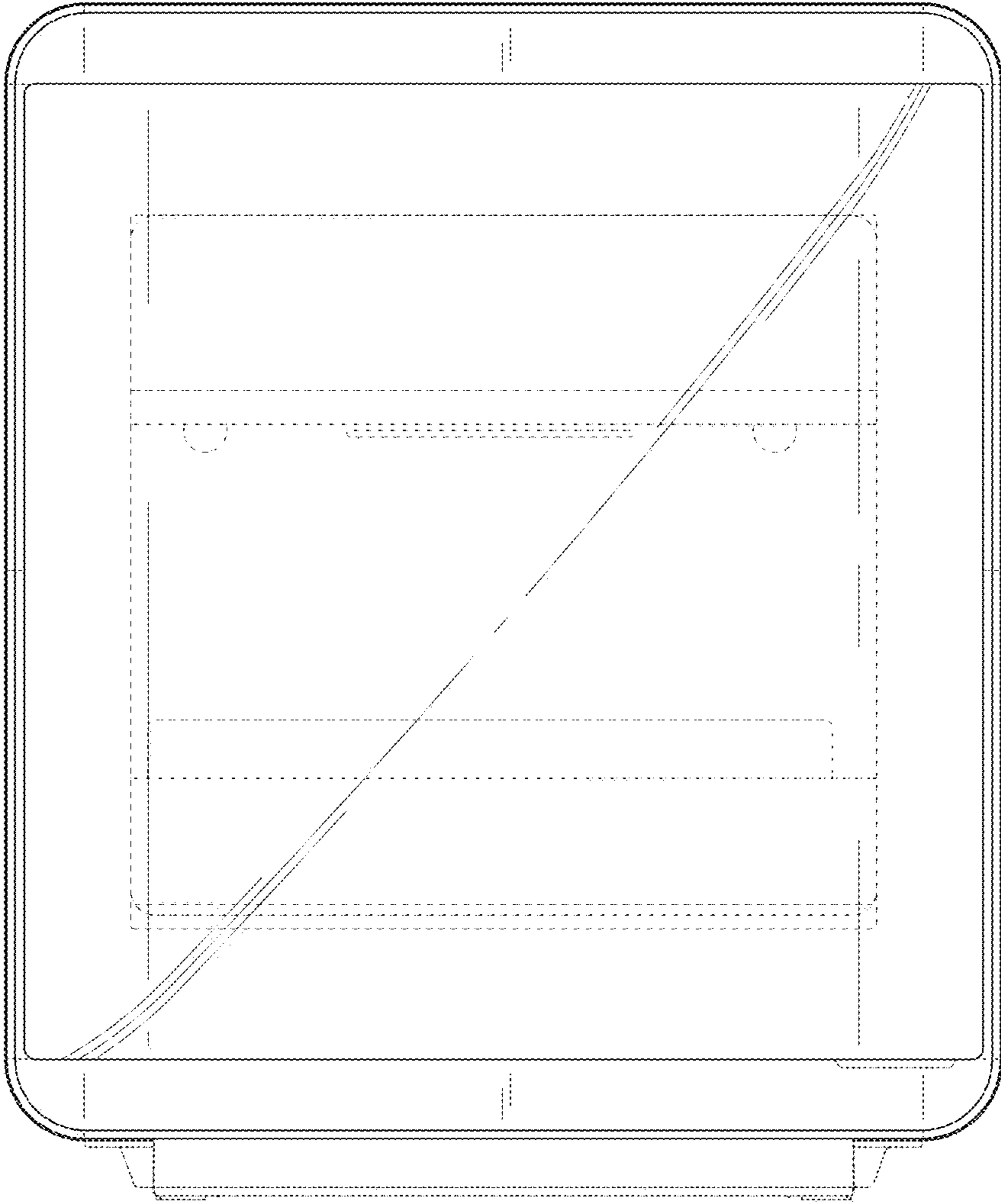


FIG. 3

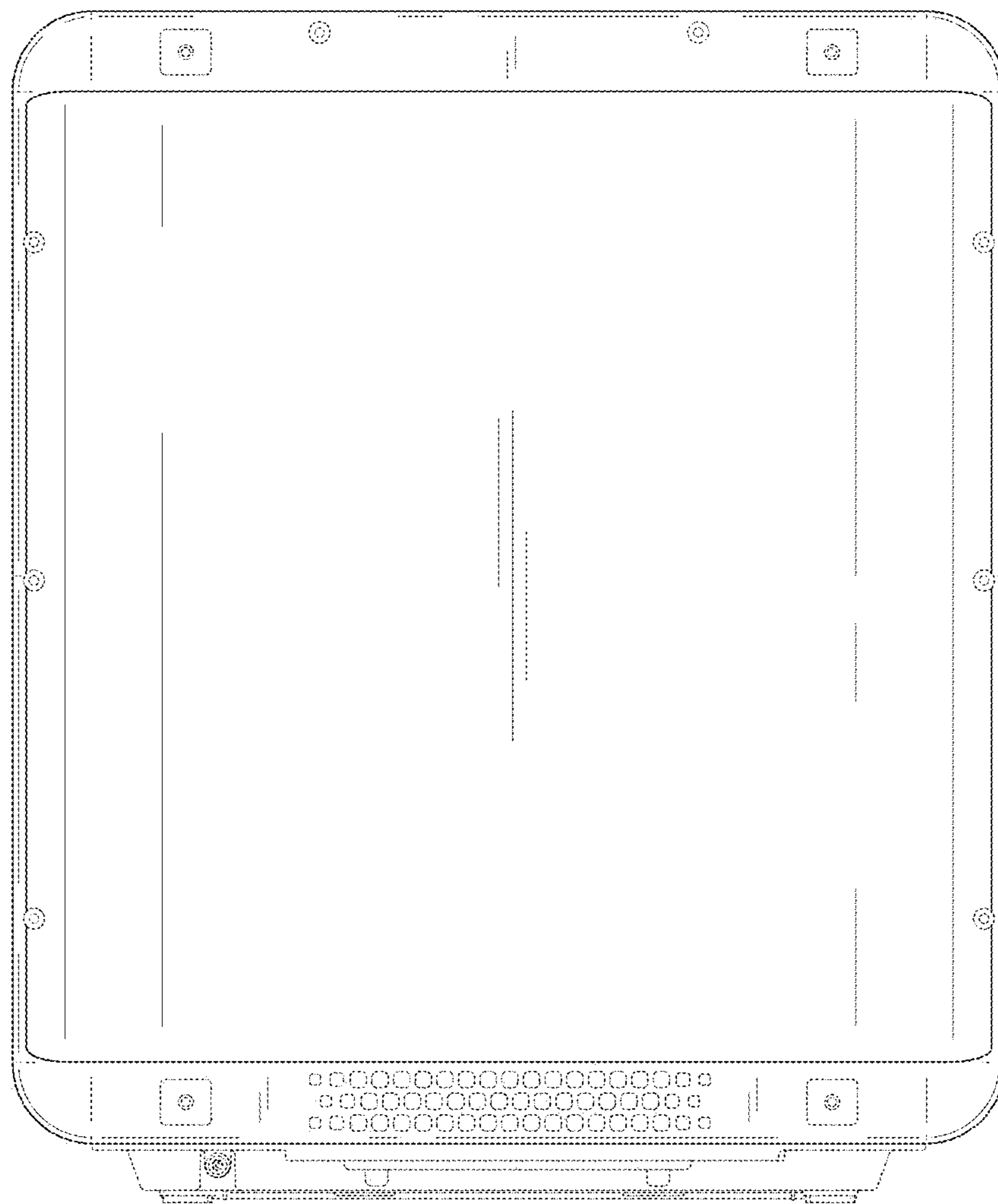


FIG. 4

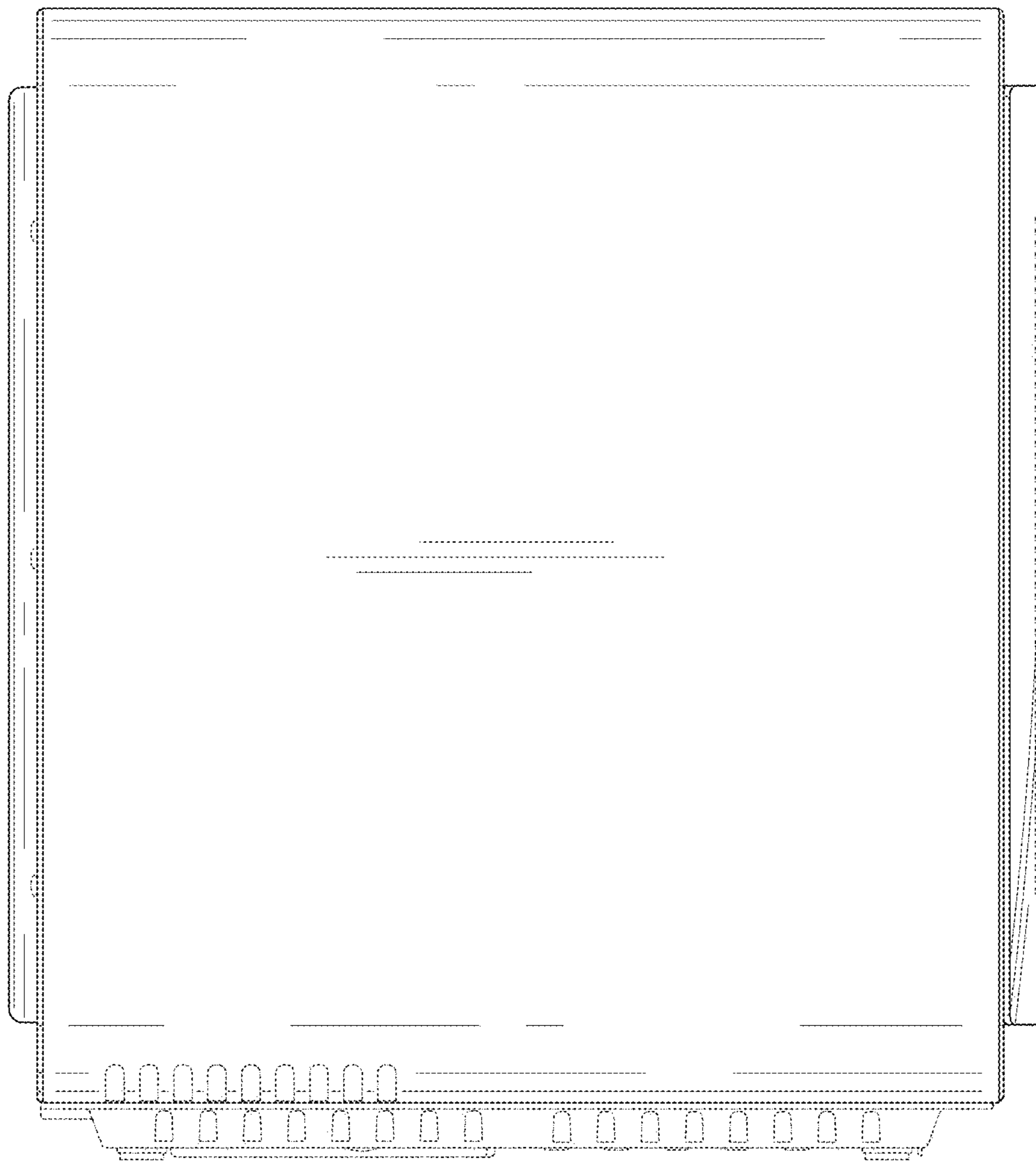


FIG. 5

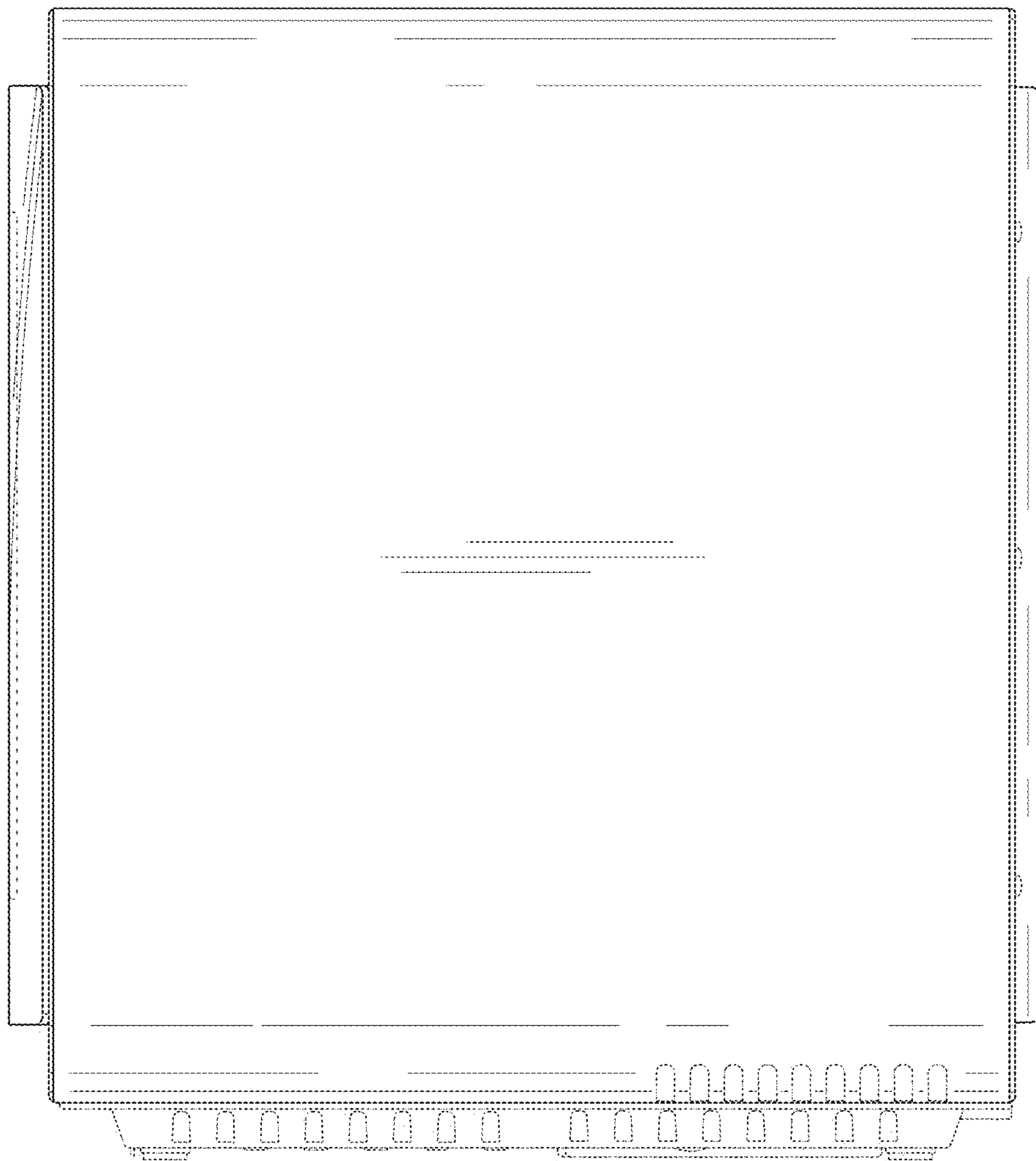


FIG. 6

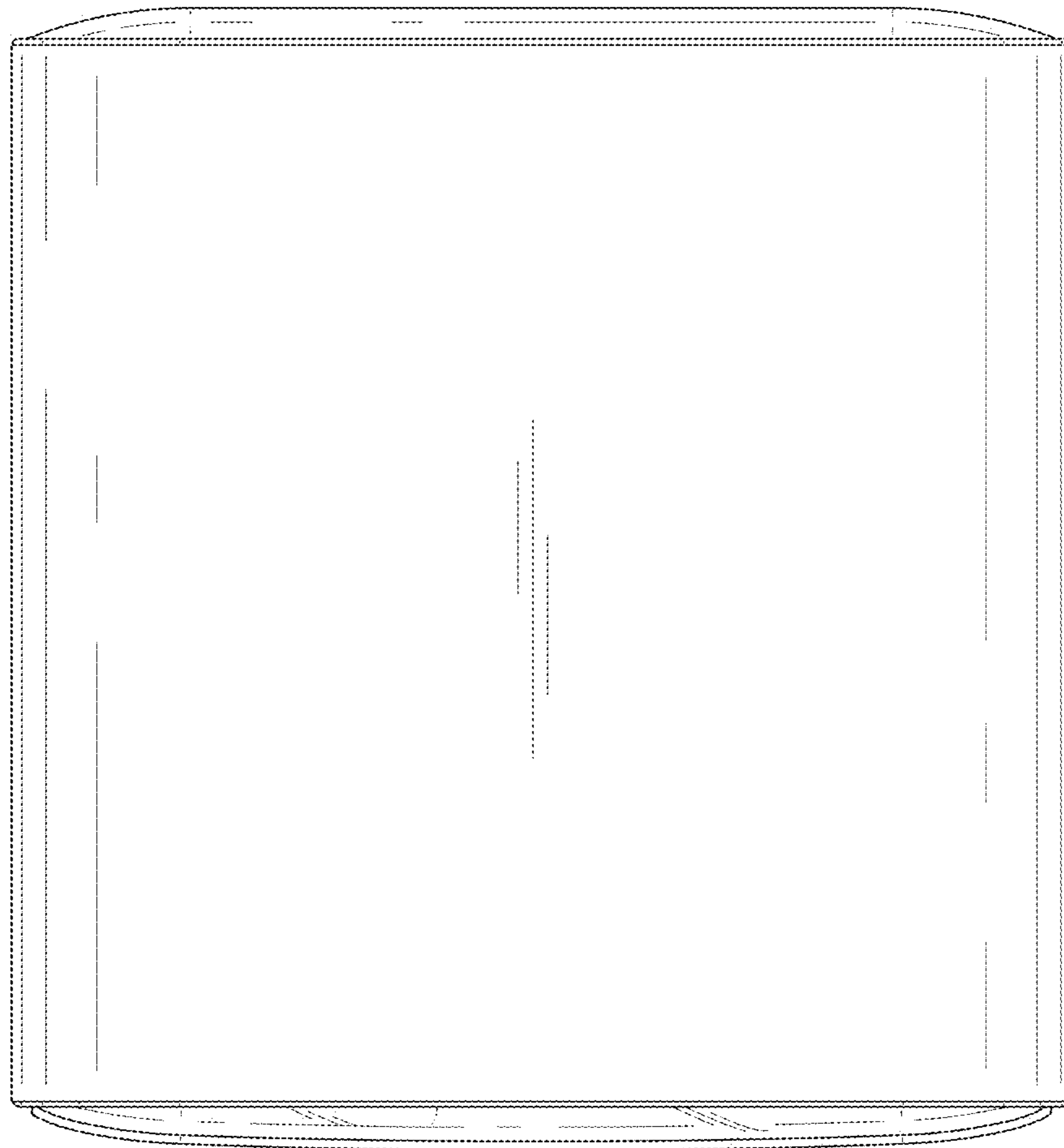


FIG. 7

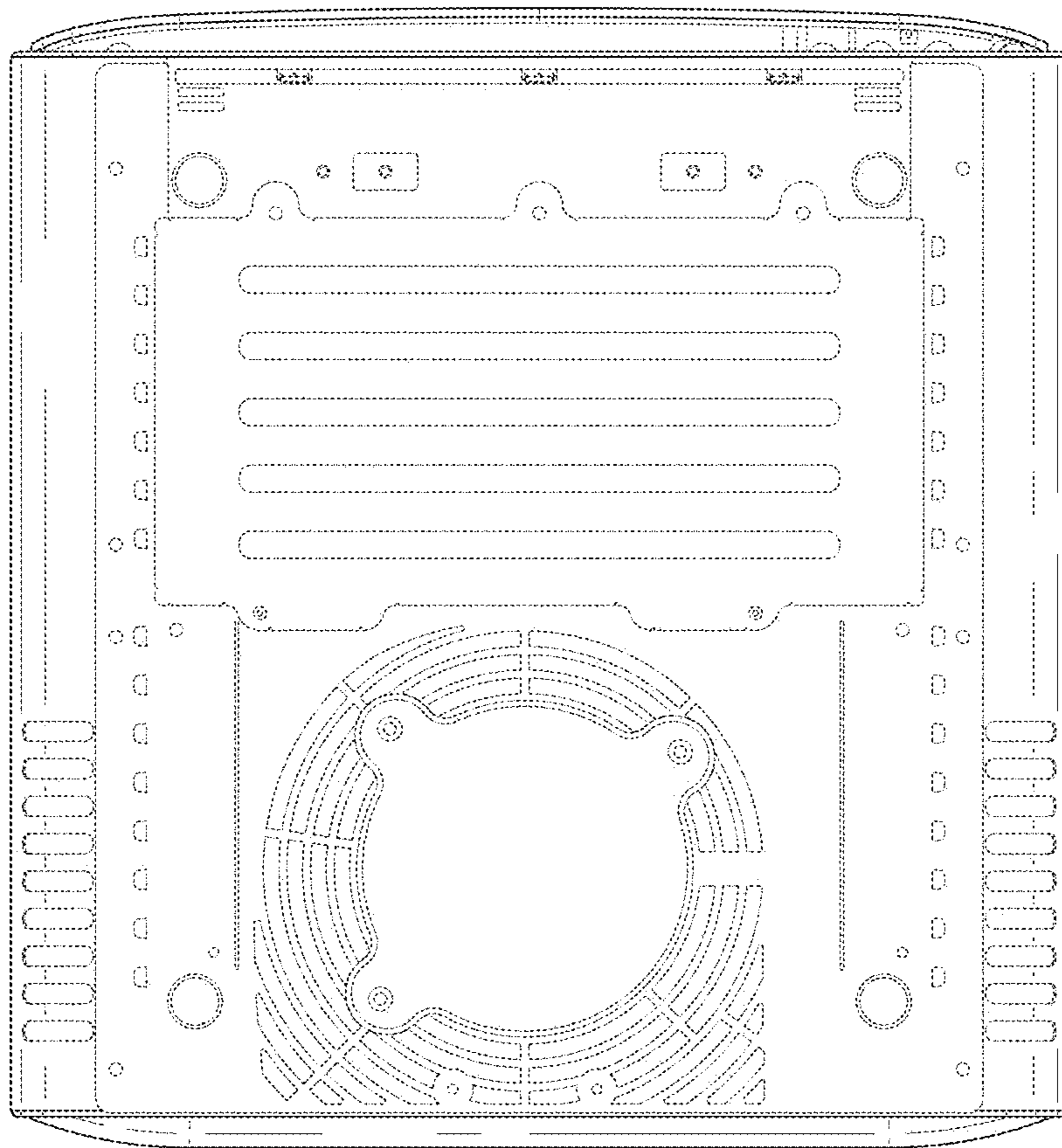


FIG. 8

