



US00D958848S

(12) **United States Design Patent** (10) **Patent No.:** **US D958,848 S**
Da Ros (45) **Date of Patent:** **** Jul. 26, 2022**

(54) **REFRIGERATION APPARATUS**

(71) Applicant: **IRINOX S.p.A.**, Tarzo (IT)

(72) Inventor: **Katia Da Ros**, Tarzo (IT)

(73) Assignee: **IRINOX S.p.A.**, Tarzo (IT)

(**) Term: **15 Years**

(21) Appl. No.: **35/510,930**

(22) Filed: **Jun. 5, 2020**

(80) **Hague Agreement Data**

Int. Filing Date: **Jun. 5, 2020**

Int. Reg. No.: **DM/209769**

Int. Reg. Date: **Jun. 5, 2020**

Int. Reg. Pub. Date: **Dec. 11, 2020**

(30) **Foreign Application Priority Data**

Dec. 6, 2019 (EM) 007350616-0002

(51) **LOC (13) Cl.** **15-07**

(52) **U.S. Cl.** **D15/79**

USPC **D15/79**
CPC **F25D 23/025** (2013.01)

(58) **Field of Classification Search**

USPC D15/79-91
CPC .. F25D 23/028; F25D 2323/024; F25D 23/00;
F25D 23/02; F25D 2323/021; F25D
23/065; F25D 11/00; F25D 2201/14;
F25D 23/021; F25D 23/025; F25D 23/04;
F25D 27/00; F25D 23/062; F25D 23/067;
F25D 2400/18; F25D 23/08; F25D
23/085; F25D 2500/02; F25D 25/00;
F25D 25/005; F25D 25/022; F25D
25/024; F25D 17/047; F25D 2317/041;
F25D 2317/04131; F25D 2317/043; F25D
2317/0664; F25D 2321/147; F25D
2323/02; F25D 2323/023; F25D 2400/12

See application file for complete search history.

(56) **References Cited**

U.S. PATENT DOCUMENTS

D171,129	S	*	12/1953	Goodson	D19/24
D266,000	S	*	8/1982	Kawakami	D15/88
4,488,817	A	*	12/1984	Uesaka	B01F 33/5011 220/592.13
D380,505	S	*	7/1997	Yang	D21/524
D394,270	S	*	5/1998	Strandell	D15/80
D411,547	S	*	6/1999	Mori	D15/85
D422,286	S	*	4/2000	Choi	D15/81
D465,133	S	*	11/2002	Ben-Moshe	D7/605
D468,755	S	*	1/2003	Muniz-Rivera	D15/81
D474,076	S	*	5/2003	Fromm	D7/606
D477,000	S	*	7/2003	Aldous	D15/81
D551,685	S	*	9/2007	Chen	D15/88
D568,909	S	*	5/2008	Santiago	D15/81
D668,272	S	*	10/2012	Ebelt	D15/80
D677,287	S	*	3/2013	Ding	D15/85
D744,011	S	*	11/2015	Reaux	D15/79
D752,660	S	*	3/2016	Chen	D15/81
D776,171	S	*	1/2017	Wang	D15/88
D794,090	S	*	8/2017	Coe Coon	D15/81

(Continued)

Primary Examiner — Richard E Chilcot

(74) *Attorney, Agent, or Firm* — Leason Ellis LLP

(57) **CLAIM**

The ornamental design for the refrigeration apparatus, as shown and described.

DESCRIPTION

1. Refrigeration apparatus

1.1 : Top left perspective view

1.2 : Top right perspective view

1.3 : Front

1.4 : Rear view

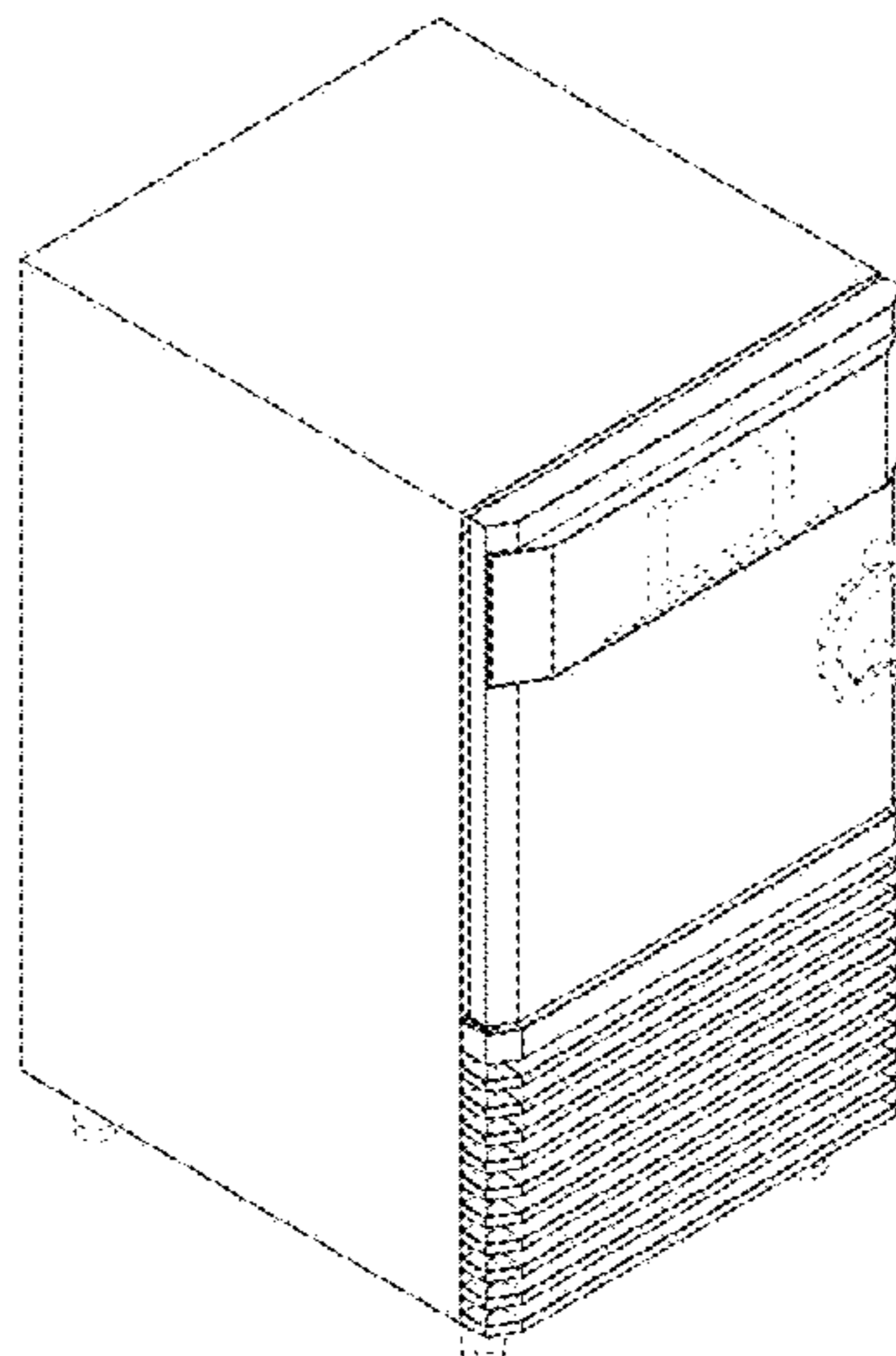
1.5 : Right side view

1.6 : Left side view

1.7 : Top

The broken line shown is for the purpose of illustrating portions of the refrigeration apparatus and forms no part of the claimed design.

1 Claim, 7 Drawing Sheets



(56)

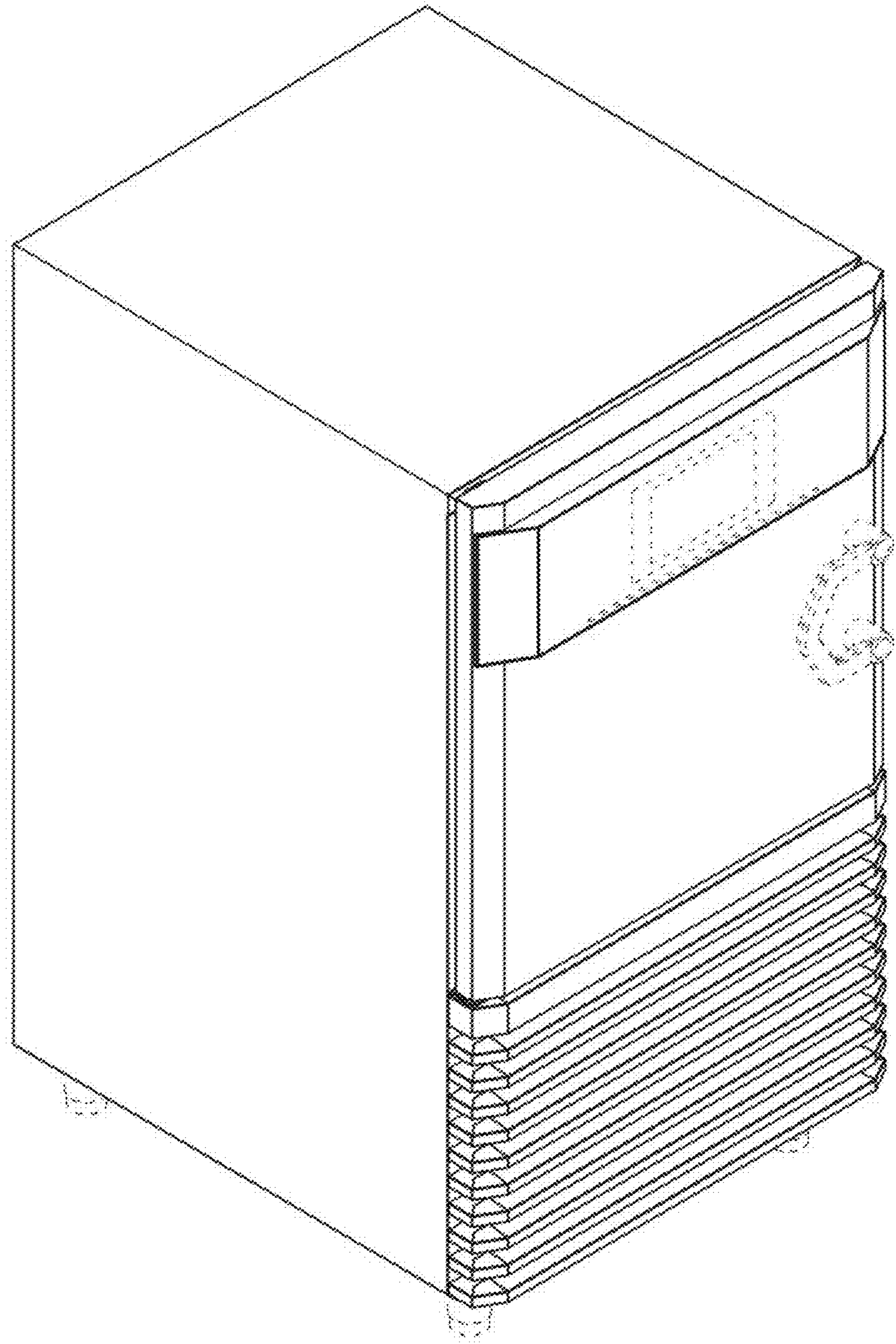
References Cited

U.S. PATENT DOCUMENTS

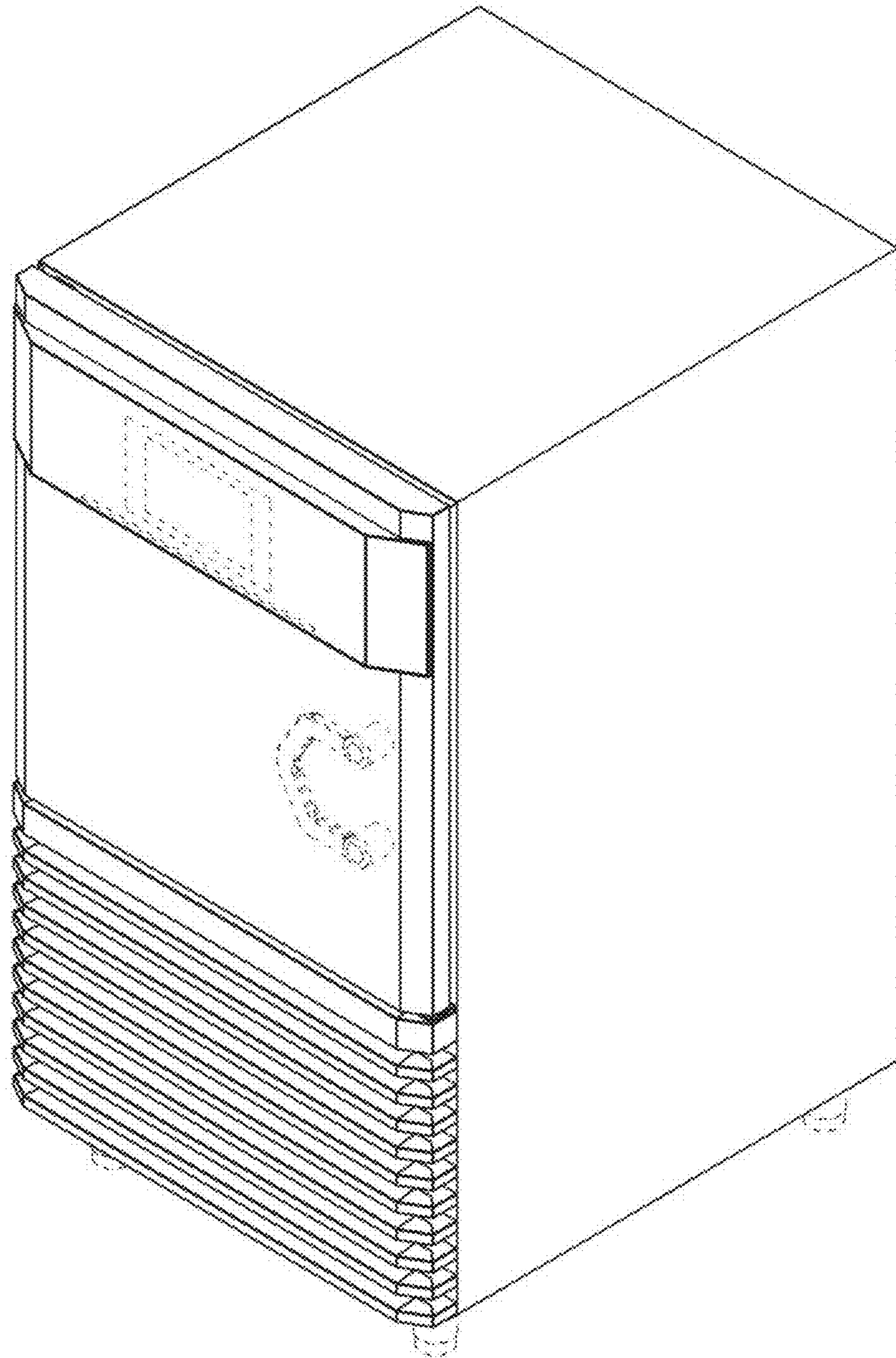
D800,799	S	*	10/2017	Feng	D15/81
D803,903	S	*	11/2017	Wang	D15/88
D826,292	S	*	8/2018	Lee	D15/88
D829,775	S	*	10/2018	Kim	D15/81
D846,600	S	*	4/2019	Guo	D15/81
D847,214	S	*	4/2019	Guo	D15/81
D852,853	S	*	7/2019	Kim	D15/81
D853,454	S	*	7/2019	Kim	D15/81
D875,793	S	*	2/2020	Bradley	D15/91
D878,433	S	*	3/2020	Bradley	D15/91
D886,164	S	*	6/2020	Mangiarotti F25D 29/00	
						D15/81
D888,109	S	*	6/2020	Kim	D15/79
D888,111	S	*	6/2020	Lambert	D15/88
D892,873	S	*	8/2020	Park F25D 25/025	
						D15/85
D894,976	S	*	9/2020	Park F25D 25/025	
						D15/85
D909,431	S	*	2/2021	Kim	D15/79
D920,394	S	*	5/2021	Stolarz	D15/81
D920,395	S	*	5/2021	Broen	D15/88
D933,722	S	*	10/2021	You	D15/88
D934,311	S	*	10/2021	Knatt	D15/80
D934,924	S	*	11/2021	Knatt	D15/80
D941,888	S	*	1/2022	Knatt	D15/80
D944,300	S	*	2/2022	Zhu	D15/88
D945,501	S	*	3/2022	Lee	D15/79
D945,502	S	*	3/2022	Lee	D15/79

* cited by examiner

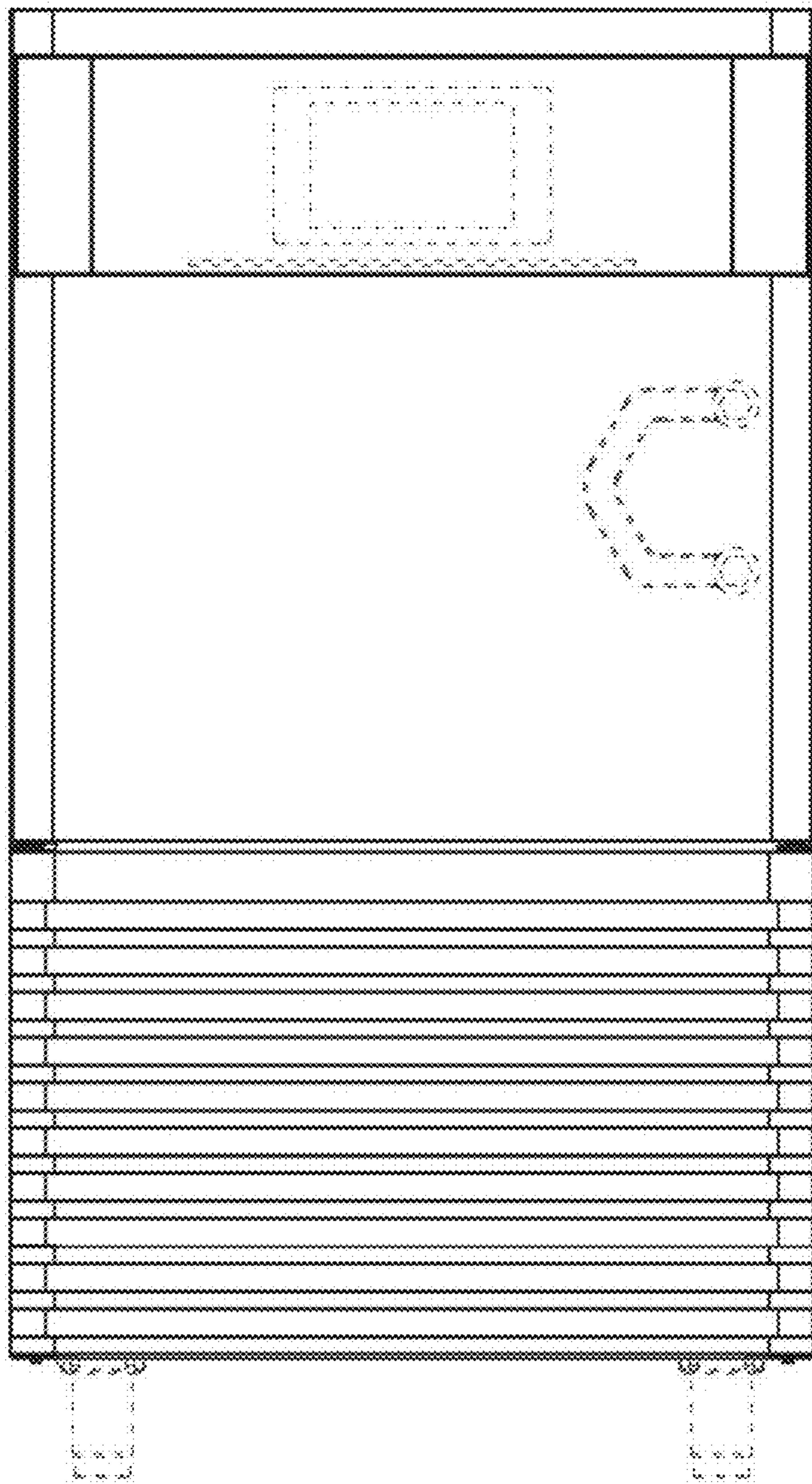
1.1



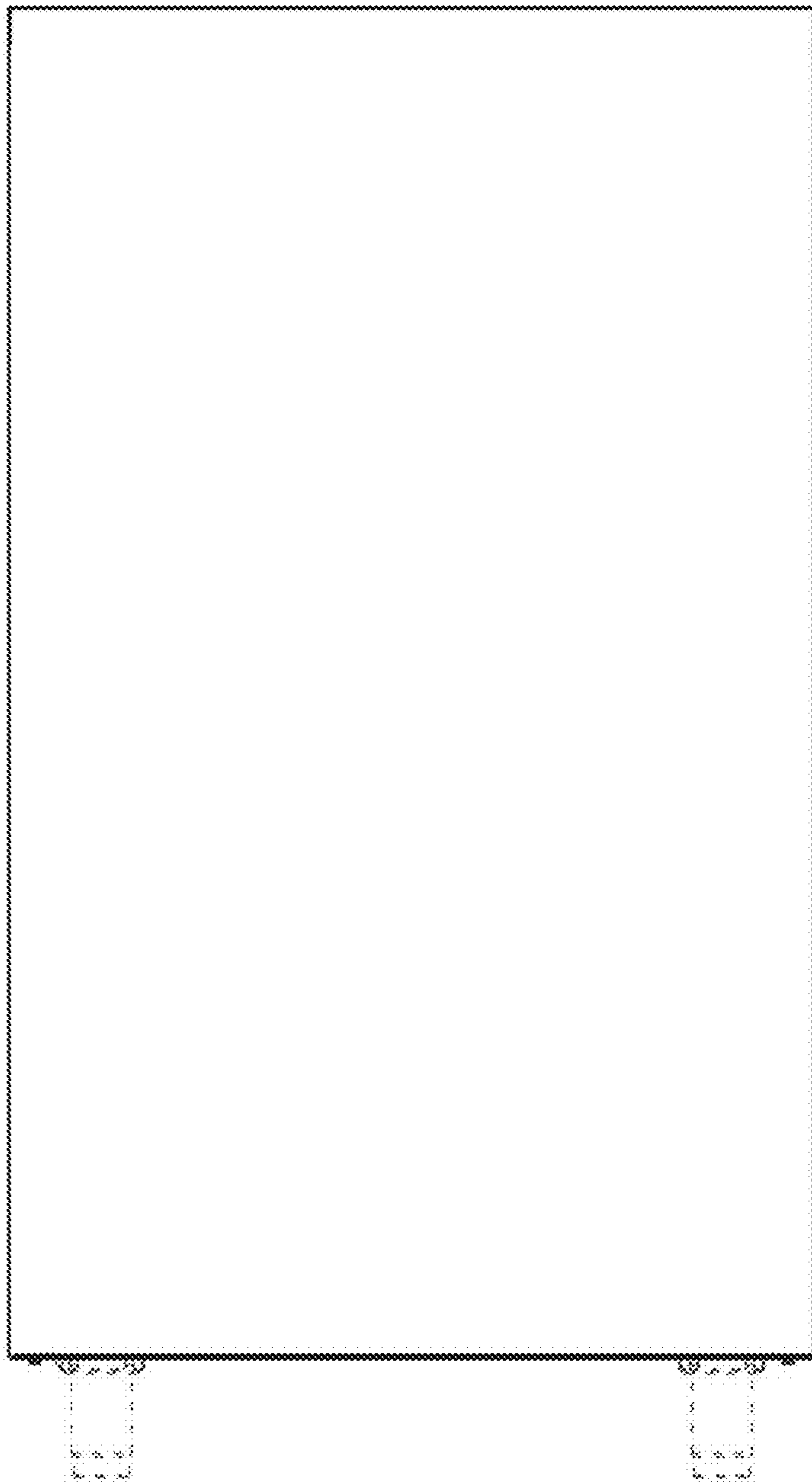
1.2



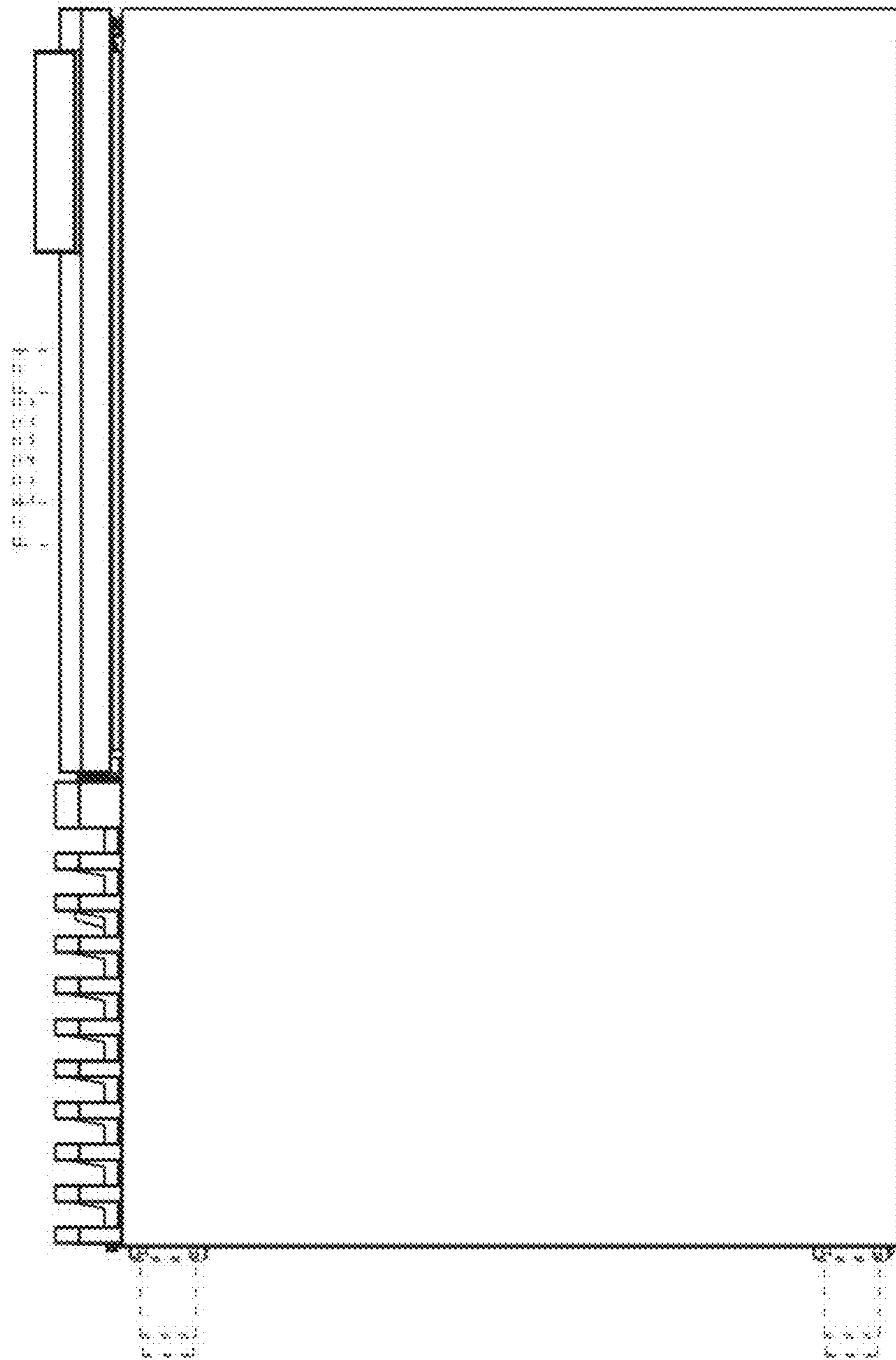
1.3



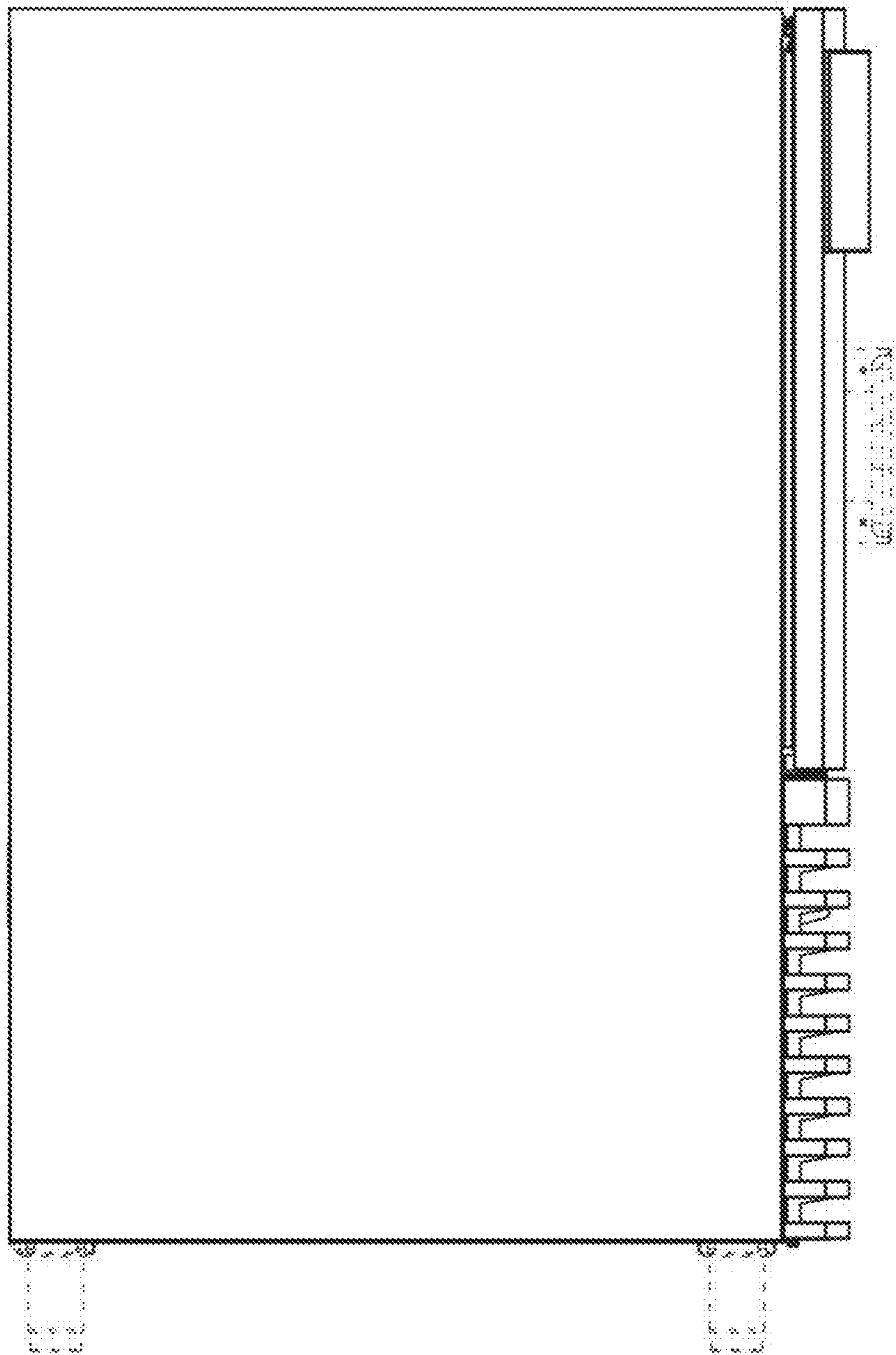
1.4



1.5



1.6



1.7

