



US00D958847S

(12) **United States Design Patent**  
**Chen et al.**

(10) **Patent No.:** **US D958,847 S**  
(45) **Date of Patent:** **\*\* Jul. 26, 2022**

(54) **CAR FRIDGE**

(71) Applicant: **FOSHAN ALPICOOL ELECTRIC APPLIANCE CO., LTD.**, Foshan (CN)  
(72) Inventors: **Jingcheng Chen**, Nanning (CN); **Jingrui Chen**, Shaoguan (CN); **Shengming He**, Shaoguan (CN); **Pizhi Zhao**, Qingyuan (CN); **Junjie Qin**, Nanning (CN); **Tao Zeng**, Foshan (CN)

(\*\*) Term: **15 Years**  
(21) Appl. No.: **29/735,429**  
(22) Filed: **May 21, 2020**

(30) **Foreign Application Priority Data**  
May 11, 2020 (CN) ..... 202030210740.4  
(51) **LOC (13) Cl.** ..... **15-07**  
(52) **U.S. Cl.**  
USPC ..... **D15/79; D15/83**  
(58) **Field of Classification Search**  
USPC ..... D7/603, 604, 605, 606, 607, 608, 629;  
D3/272, 273, 274, 276, 279; D15/79, 80,  
D15/81, 83, 85; 62/911  
(Continued)

(56) **References Cited**  
**U.S. PATENT DOCUMENTS**  
4,724,681 A \* 2/1988 Bartholomew ..... F25D 3/06  
190/18 A  
5,064,088 A \* 11/1991 Steffes ..... B65D 43/161  
220/837  
(Continued)

**FOREIGN PATENT DOCUMENTS**  
CN 306273735 \* 1/2021  
CN 306351536 \* 2/2021  
(Continued)

**OTHER PUBLICATIONS**

Alpicool [online] URL: <https://www.amazon.com/dp/B08GC8VW5W>  
(site visited: Nov. 30, 2021) (Year: 2020).\*  
(Continued)

*Primary Examiner* — Jae Liang  
*Assistant Examiner* — Tia Ruth-Renee Polidori

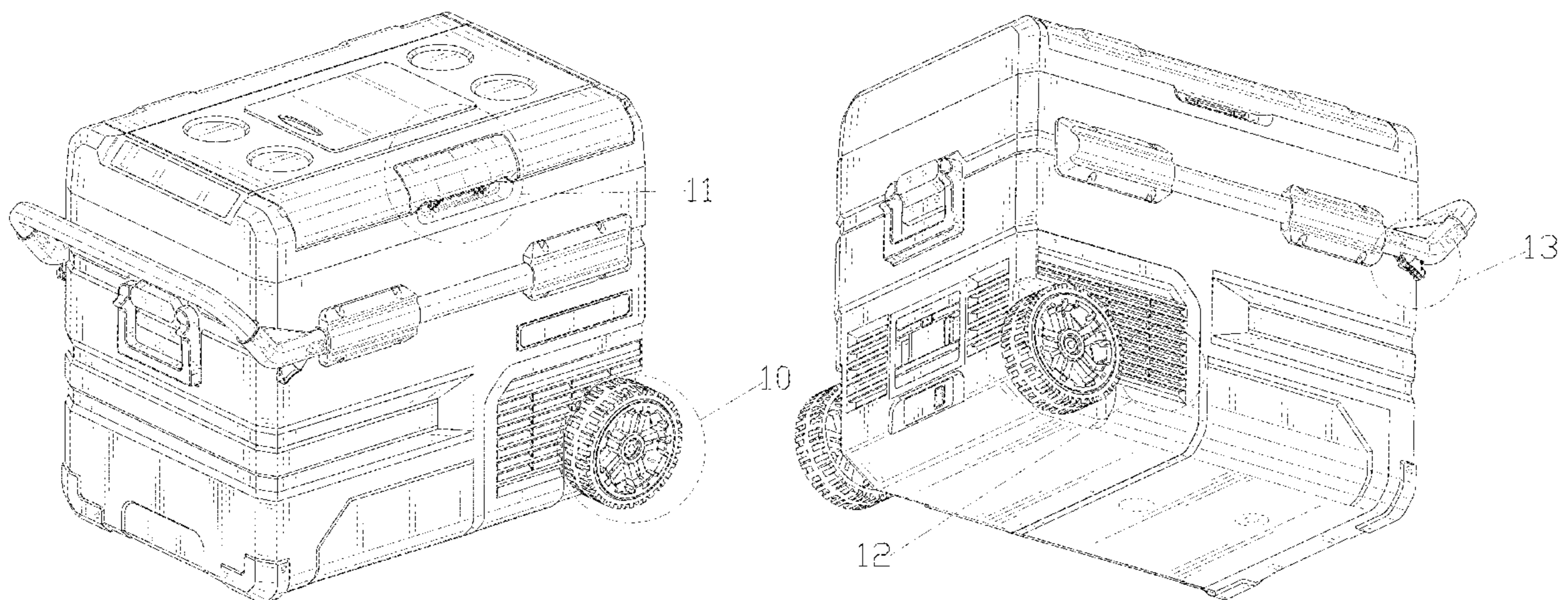
(57) **CLAIM**

The ornamental design for a car fridge, as shown and described.

**DESCRIPTION**

FIG. 1 is a perspective view of a car fridge showing our new design;  
FIG. 2 is another perspective view thereof;  
FIG. 3 is a front elevational view thereof;  
FIG. 4 is a rear elevational view thereof;  
FIG. 5 is a left side elevational view thereof;  
FIG. 6 is a right side elevational view thereof;  
FIG. 7 is a top plan view thereof;  
FIG. 8 is a bottom plan view thereof;  
FIG. 9 is a perspective view of our new design with the handle extended in a configuration of use for clarify of disclosure;  
FIG. 10 is an enlarged view of portion 10 shown in FIG. 1;  
FIG. 11 is an enlarged view of portion 11 shown in FIG. 1;  
FIG. 12 is an enlarged view of portion 12 shown in FIG. 2;  
and,  
FIG. 13 is an enlarged view of portion 13 shown in FIG. 2.  
The dash-dash broken lines in the drawings depict portions of the car fridge that form no part of the claimed design and the dot-dash broken lines in the drawings depict partial view indicia that forms no part of the claimed design.

**1 Claim, 13 Drawing Sheets**



# US D958,847 S

**(58) Field of Classification Search**

CPC ..... F25C 2400/10; G05B 2219/2654; A45C 11/20; A45C 9/00; A45C 5/14; F25D 3/06; F25D 3/107; F25D 2400/12; F25D 2400/38; F25D 31/005; F25D 11/003; F25D 11/006; F25D 23/003; F25D 2323/00277; F25D 2201/10; B65D 81/3813; B65D 81/3818; F25B 19/00

See application file for complete search history.

**(56) References Cited**

U.S. PATENT DOCUMENTS

|              |      |         |               |       |              |           |              |      |         |                  |       |              |            |
|--------------|------|---------|---------------|-------|--------------|-----------|--------------|------|---------|------------------|-------|--------------|------------|
| 5,454,477    | A *  | 10/1995 | Bornhorst     | ..... | B65D 85/30   | 220/23.4  | 2005/0263527 | A1 * | 12/2005 | Maldonado        | ..... | A45C 13/40   | 220/592.2  |
| 5,683,097    | A *  | 11/1997 | Fenton        | ..... | A45C 5/14    | 280/47.26 | 2006/0065655 | A1 * | 3/2006  | Taylor           | ..... | B65D 11/1826 | 220/6      |
| 6,176,499    | B1 * | 1/2001  | Conrado       | ..... | A45C 5/14    | 280/47.26 | 2006/0196218 | A1 * | 9/2006  | Mogil            | ..... | A45C 11/20   | 62/457.4   |
| 6,216,488    | B1 * | 4/2001  | Rucker        | ..... | A45B 11/00   | 62/331    | 2006/0279052 | A1 * | 12/2006 | Marmah           | ..... | A47C 1/14    | 280/47.26  |
| 6,305,185    | B1 * | 10/2001 | Sloan         | ..... | A45C 5/14    | 62/235.1  | 2007/0028642 | A1 * | 2/2007  | Glade            | ..... | F25D 3/06    | 62/371     |
| 6,364,329    | B1 * | 4/2002  | Holub         | ..... | A45C 5/14    | 280/47.26 | 2008/0001373 | A1 * | 1/2008  | Vaughn           | ..... | B60B 35/10   | 280/47.26  |
| D528,368     | S *  | 9/2006  | Maldonado     | ..... | D7/605       |           | 2008/0245793 | A1 * | 10/2008 | Hanson           | ..... | A45C 11/20   | 220/263    |
| 7,143,601    | B1 * | 12/2006 | Jimenez       | ..... | F25D 23/12   | 62/457.7  | 2009/0217699 | A1 * | 9/2009  | Ball             | ..... | A45C 11/20   | 62/457.7   |
| D552,426     | S *  | 10/2007 | Jones         | ..... | D7/605       |           | 2009/0260546 | A1 * | 10/2009 | George           | ..... | A45C 11/20   | 108/26     |
| D613,560     | S *  | 4/2010  | Robichaud     | ..... | D7/605       |           | 2010/0133326 | A1 * | 6/2010  | Sanchez          | ..... | B65D 81/3876 | 229/87.03  |
| 7,870,937    | B1 * | 1/2011  | Arnao         | ..... | A45C 9/00    | 190/1     | 2010/0263398 | A1 * | 10/2010 | Webb             | ..... | F25D 3/08    | 62/331     |
| 7,984,997    | B1 * | 7/2011  | Sandberg      | ..... | F21S 9/03    | 362/101   | 2011/0226003 | A1 * | 9/2011  | Chaney           | ..... | B62B 1/20    | 62/457.7   |
| 8,256,156    | B1 * | 9/2012  | Burgoyne, Jr. | ..... | A01K 97/06   | 43/54.1   | 2012/0228074 | A1 * | 9/2012  | Osler            | ..... | A45C 7/0045  | 190/18 A   |
| 9,448,000    | B2 * | 9/2016  | Patsis        | ..... | B62B 1/10    |           | 2012/0318177 | A1 * | 12/2012 | Piazza, Jr.      | ..... | A45C 9/00    | 108/14     |
| 9,476,638    | B1 * | 10/2016 | Tyler         | ..... | F25D 3/06    |           | 2013/0082044 | A1 * | 4/2013  | Doan             | ..... | H05B 6/6426  | 219/387    |
| 9,671,158    | B1 * | 6/2017  | Sandberg      | ..... | F25D 27/00   |           | 2013/0168882 | A1 * | 7/2013  | Lykins           | ..... | B62B 1/125   | 261/136    |
| D792,486     | S *  | 7/2017  | Li            | ..... | D15/81       |           | 2013/0207359 | A1 * | 8/2013  | Vanderberg       | ..... | B62B 5/067   | 280/30     |
| 9,726,424    | B1 * | 8/2017  | Sandberg      | ..... | F21V 23/0414 |           | 2013/0207360 | A1 * | 8/2013  | Vanderberg       | ..... | A45C 11/20   | 280/30     |
| D807,707     | S *  | 1/2018  | Grepper       | ..... | D7/605       |           | 2015/0010189 | A1 * | 1/2015  | Besay            | ..... | H04R 1/028   | 381/334    |
| D807,708     | S *  | 1/2018  | Grepper       | ..... | D7/605       |           | 2015/0114024 | A1 * | 4/2015  | Grepper          | ..... | B01F 7/0025  | 62/320     |
| D815,919     | S *  | 4/2018  | DeFrancia     | ..... | D7/605       |           | 2015/0267956 | A1 * | 9/2015  | Miller           | ..... | F25D 27/00   | 62/457.7   |
| 9,976,789    | B2 * | 5/2018  | Grepper       | ..... | A45C 11/20   |           | 2015/0300720 | A1 * | 10/2015 | Anderson         | ..... | F25D 3/08    | 62/398     |
| D836,993     | S *  | 1/2019  | Meda          | ..... | D7/605       |           | 2015/0338159 | A1 * | 11/2015 | Watson           | ..... | F25D 3/06    | 220/592.03 |
| D836,994     | S *  | 1/2019  | Meda          | ..... | D7/605       |           | 2016/0023349 | A1 * | 1/2016  | Hoppe            | ..... | A45C 7/0045  | 280/655.1  |
| D836,995     | S *  | 1/2019  | Carey         | ..... | D7/605       |           | 2016/0025400 | A1 * | 1/2016  | Van Wuffen       | ..... | A23L 3/364   | 426/418    |
| D844,324     | S *  | 4/2019  | Hoppe         | ..... | D3/279       |           | 2016/0097551 | A1 * | 4/2016  | Johnson          | ..... | F24F 5/0021  | 62/411     |
| D850,217     | S *  | 6/2019  | Kittel, III   | ..... | D7/605       |           | 2016/0150862 | A1 * | 6/2016  | Tonelli          | ..... | A45C 13/262  | 190/18 A   |
| D851,138     | S *  | 6/2019  | Murabayashi   | ..... | D15/81       |           | 2016/0153690 | A1 * | 6/2016  | Patsis           | ..... | B65D 25/28   | 222/608    |
| D863,892     | S *  | 10/2019 | Ellison       | ..... | D7/605       |           | 2016/0183677 | A1 * | 6/2016  | Achillopoulos    | ..... | A45C 5/14    | 190/11     |
| D863,893     | S *  | 10/2019 | Ellison       | ..... | D7/605       |           | 2016/0187046 | A1 * | 6/2016  | Chen             | ..... | A45C 11/20   | 62/239     |
| D869,244     | S *  | 12/2019 | Ellison       | ..... | D7/605       |           | 2016/0244081 | A1 * | 8/2016  | Chaloux          | ..... | A45C 15/00   |            |
| D873,085     | S *  | 1/2020  | DeFrancia     | ..... | D7/605       |           | 2016/0272405 | A1 * | 9/2016  | Furneaux         | ..... | B65D 25/38   |            |
| D883,752     | S *  | 5/2020  | Carey         | ..... | D7/605       |           | 2017/0023289 | A1 * | 1/2017  | Anderson         | ..... | F25D 3/08    |            |
| D884,434     | S *  | 5/2020  | Merlino       | ..... | D7/605       |           | 2017/0023290 | A1 * | 1/2017  | Demuth           | ..... | F25D 25/022  |            |
| 10,641,538   | B1 * | 5/2020  | Tang          | ..... | F25D 23/06   |           | 2017/0027386 | A1 * | 2/2017  | Bungard          | ..... | A47J 41/0055 |            |
| D887,788     | S *  | 6/2020  | Meda          | ..... | D7/605       |           | 2017/0043800 | A1 * | 2/2017  | Chaloux          | ..... | B62B 1/12    |            |
| D888,503     | S *  | 6/2020  | Meda          | ..... | D7/605       |           | 2017/0043906 | A1 * | 2/2017  | Ravenscraft, Jr. | ..... | B62B 1/10    |            |
| 10,731,919   | B1 * | 8/2020  | Gutierrez     | ..... | F25D 27/005  |           | 2017/0082342 | A1 * | 3/2017  | Weinberg         | ..... | A63B 67/002  |            |
| D905,129     | S *  | 12/2020 | Deng          | ..... | D15/81       |           | 2017/0129097 | A1 * | 5/2017  | Engvall          | ..... | B25H 1/04    |            |
| D906,377     | S *  | 12/2020 | Tang          | ..... | D15/79       |           | 2017/0234596 | A1 * | 8/2017  | Patsis           | ..... | A45C 11/20   | 220/592.2  |
| D907,074     | S *  | 1/2021  | Yang          | ..... | D15/83       |           | 2017/0314845 | A1 * | 11/2017 | Tang             | ..... | H04R 1/2807  |            |
| 10,967,896   | B2 * | 4/2021  | Kravchenko    | ..... | B62B 1/26    |           | 2017/0370629 | A1 * | 12/2017 | Fire             | ..... | B67D 1/0874  |            |
| D917,977     | S *  | 5/2021  | Brunner       | ..... | D7/605       |           | 2018/0009588 | A1 * | 1/2018  | Grogan           | ..... | F25B 21/04   |            |
| D922,148     | S *  | 6/2021  | Yang          | ..... | D7/605       |           | 2018/0015938 | A1 * | 1/2018  | DeFrancia        | ..... | B62B 5/067   |            |
| D922,454     | S *  | 6/2021  | Tang          | ..... | D15/79       |           | 2018/0100682 | A1 * | 4/2018  | Nilsen           | ..... | F25D 16/00   |            |
| 11,027,885   | B2 * | 6/2021  | Duong         | ..... | B65D 25/2841 |           |              |      |         |                  |       |              |            |
| D927,939     | S *  | 8/2021  | Ellison       | ..... | D7/605       |           |              |      |         |                  |       |              |            |
| D929,188     | S *  | 8/2021  | Pennington    | ..... | D7/605       |           |              |      |         |                  |       |              |            |
| D929,189     | S *  | 8/2021  | Pennington    | ..... | D7/605       |           |              |      |         |                  |       |              |            |
| D937,328     | S *  | 11/2021 | Tang          | ..... | D15/79       |           |              |      |         |                  |       |              |            |
| 2005/0081558 | A1 * | 4/2005  | Yoshida       | ..... | F25D 11/003  | 62/457.9  |              |      |         |                  |       |              |            |

(56)

References Cited

U.S. PATENT DOCUMENTS

2018/0127007 A1\* 5/2018 Kravchenko ..... B62B 1/04  
 2018/0141718 A1\* 5/2018 Ahlstrom ..... B65D 25/2841  
 2018/0141739 A1\* 5/2018 Hengen ..... A45C 5/14  
 2018/0149400 A1\* 5/2018 Valencia ..... F25D 3/06  
 2018/0161975 A1\* 6/2018 Brunner ..... B25H 3/02  
 2018/0194533 A1\* 7/2018 Bramwell ..... A61D 7/00  
 2018/0238607 A1\* 8/2018 Lagasse ..... F25D 3/06  
 2018/0274837 A1\* 9/2018 Christensen ..... A47G 23/02  
 2019/0059539 A1\* 2/2019 Russell ..... A45C 9/00  
 2019/0145673 A1\* 5/2019 Hoffmann ..... H02J 3/46  
 62/235.1  
 2019/0216193 A1\* 7/2019 Kabalin ..... B60B 3/001  
 2019/0277552 A1\* 9/2019 Vu ..... F25D 23/025  
 2019/0329811 A1\* 10/2019 Jones ..... B62B 5/00  
 2019/0330041 A1\* 10/2019 Fire ..... F25D 3/06  
 2020/0062454 A1\* 2/2020 Duong ..... B65D 25/2841  
 2020/0132356 A1\* 4/2020 Tang ..... F25D 11/00  
 2020/0140165 A1\* 5/2020 Soto ..... B65D 81/3813  
 2020/0187615 A1\* 6/2020 Hockaday, Jr. .... A45C 5/14  
 2020/0196725 A1\* 6/2020 Tonelli ..... A45C 13/26  
 2020/0216229 A1\* 7/2020 Guan ..... B65D 25/2841  
 2020/0217571 A1\* 7/2020 Guan ..... F25D 11/02  
 2020/0217574 A1\* 7/2020 Thelin ..... B65D 81/3813  
 2021/0018250 A1\* 1/2021 Tang ..... F25B 27/00

2021/0070523 A1\* 3/2021 Iyer ..... B65D 43/022  
 2021/0154824 A1\* 5/2021 Barton ..... A45C 13/1084  
 2021/0229893 A1\* 7/2021 Maldonado ..... B65D 43/22  
 2021/0284426 A1\* 9/2021 Kalajyan ..... B65D 45/00  
 2021/0285710 A1\* 9/2021 Barros ..... F25D 3/06  
 2021/0285716 A1\* 9/2021 Kalajyan ..... B65D 25/2841  
 2021/0296711 A1\* 9/2021 Zhao ..... B60H 1/00  
 2021/0362906 A1\* 11/2021 Brunner ..... B62B 1/14

FOREIGN PATENT DOCUMENTS

CN 306351537 \* 2/2021  
 CN 306907932 \* 10/2021

OTHER PUBLICATIONS

Bodega [online] URL: <https://www.amazon.com/BODEGA-Refrigerator-Portable-Electric-Compressor/dp/B08KD58D8R> (site visited: Nov. 30, 2021) (Year: 2020).  
 Change Moore [online] URL: <https://www.amazon.com/Temperature-Control-Portable-Refrigerator-Vehicles/dp/B098JJ P86K> (site visited: Nov. 30, 2021) (Year: 2021).  
 E Euhomy [online] URL: <https://www.amazon.com/dp/B096B217LK> (site visited: Nov. 30, 2021) (Year: 2021).

\* cited by examiner

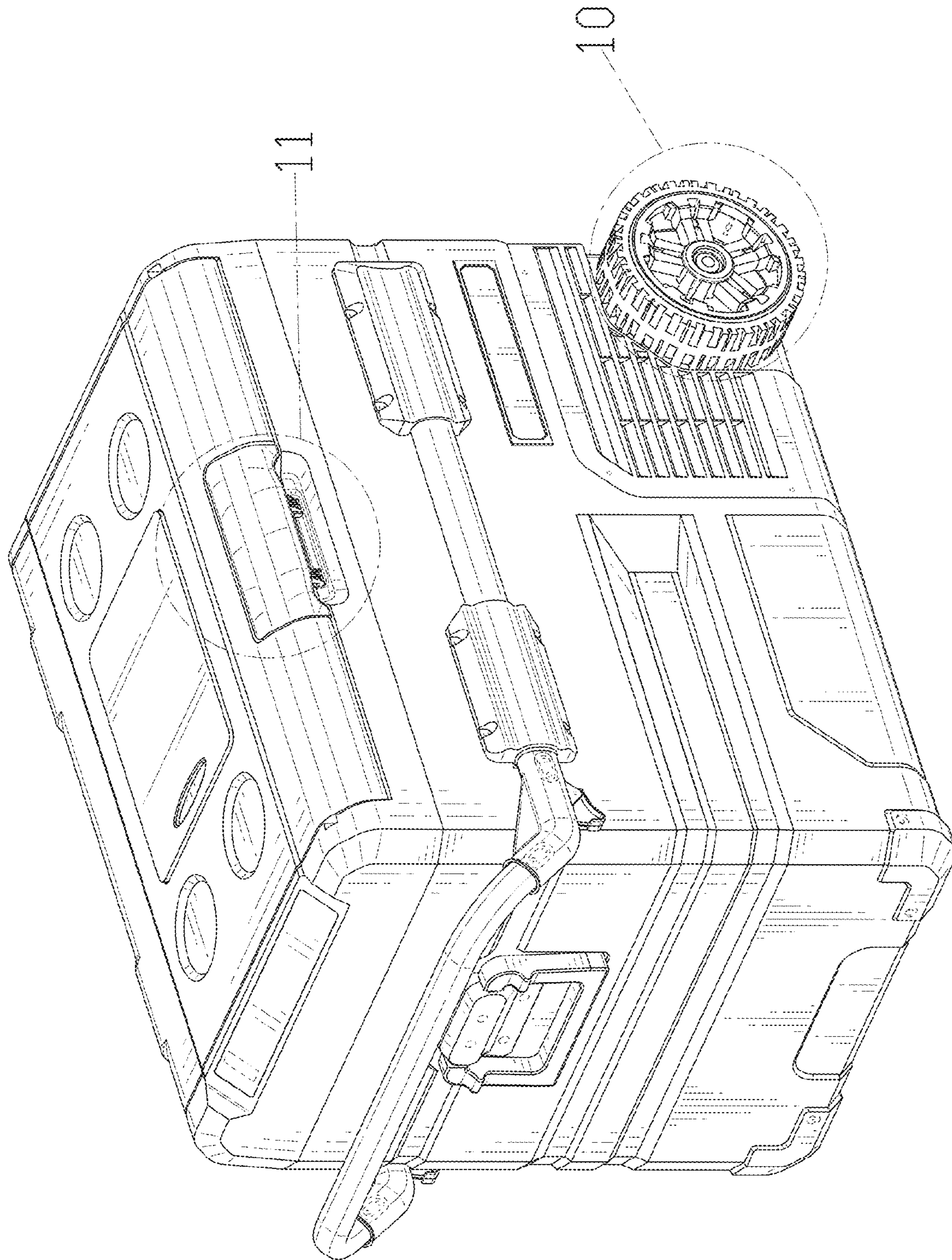


FIG. 1

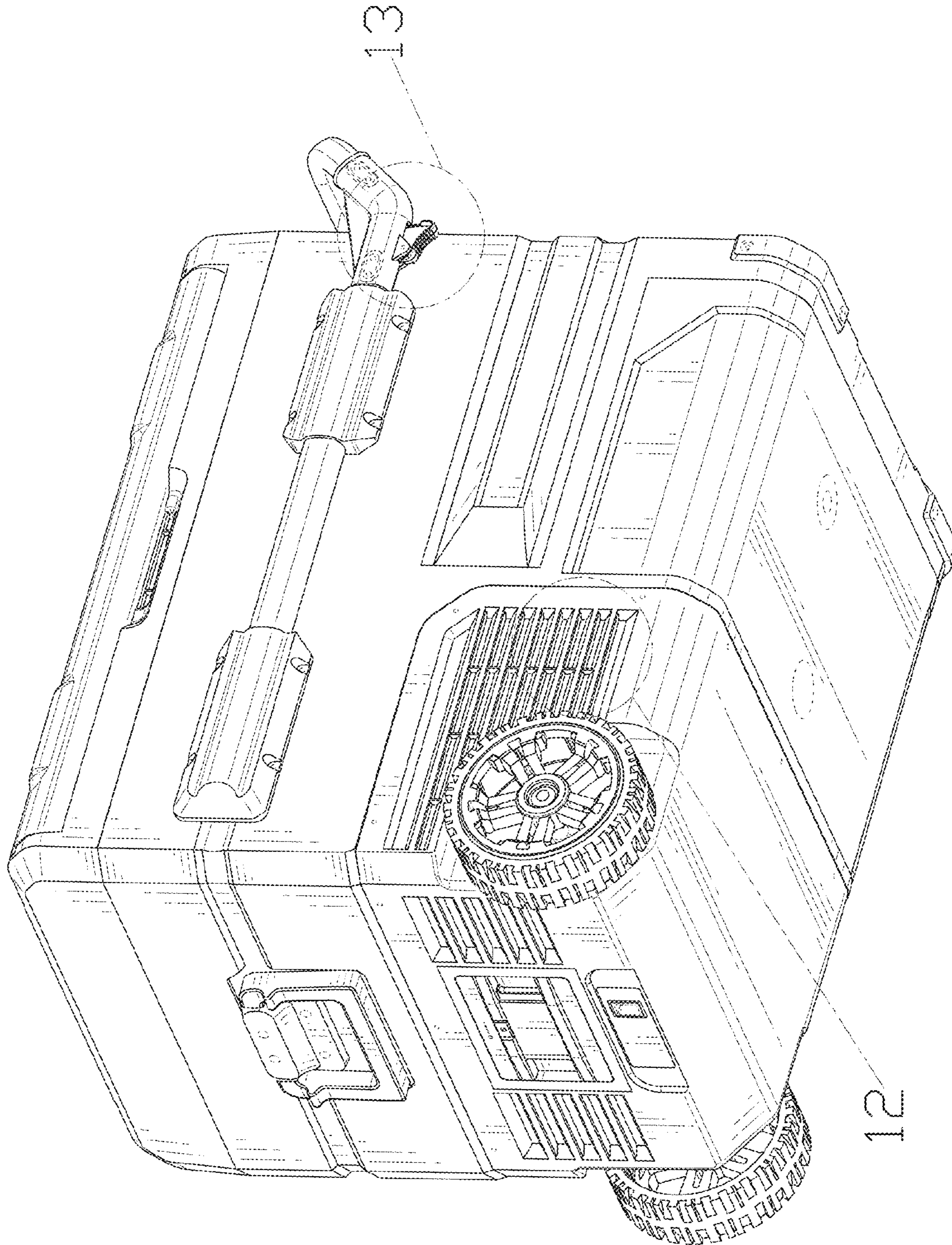


FIG. 2

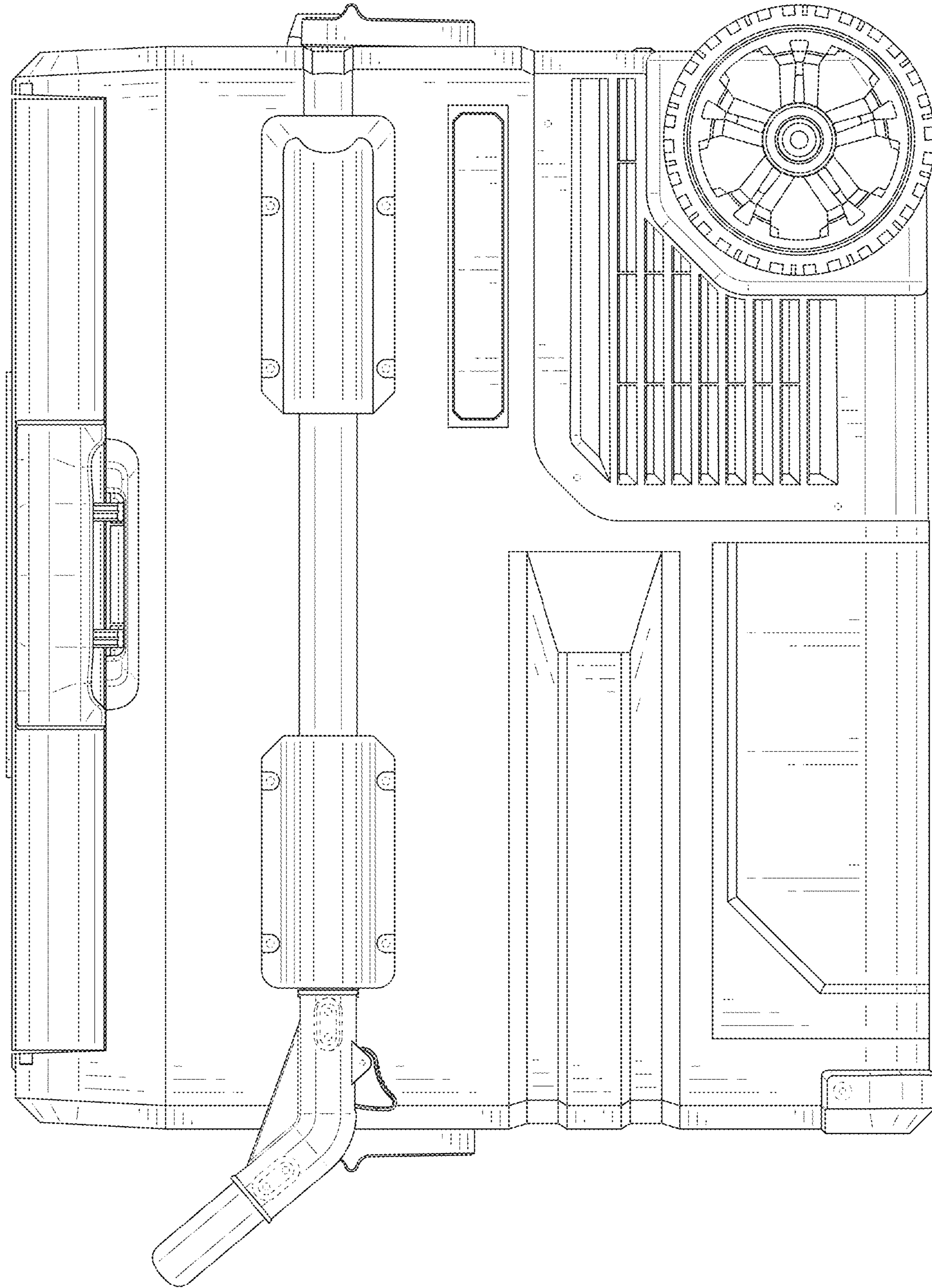


FIG. 3

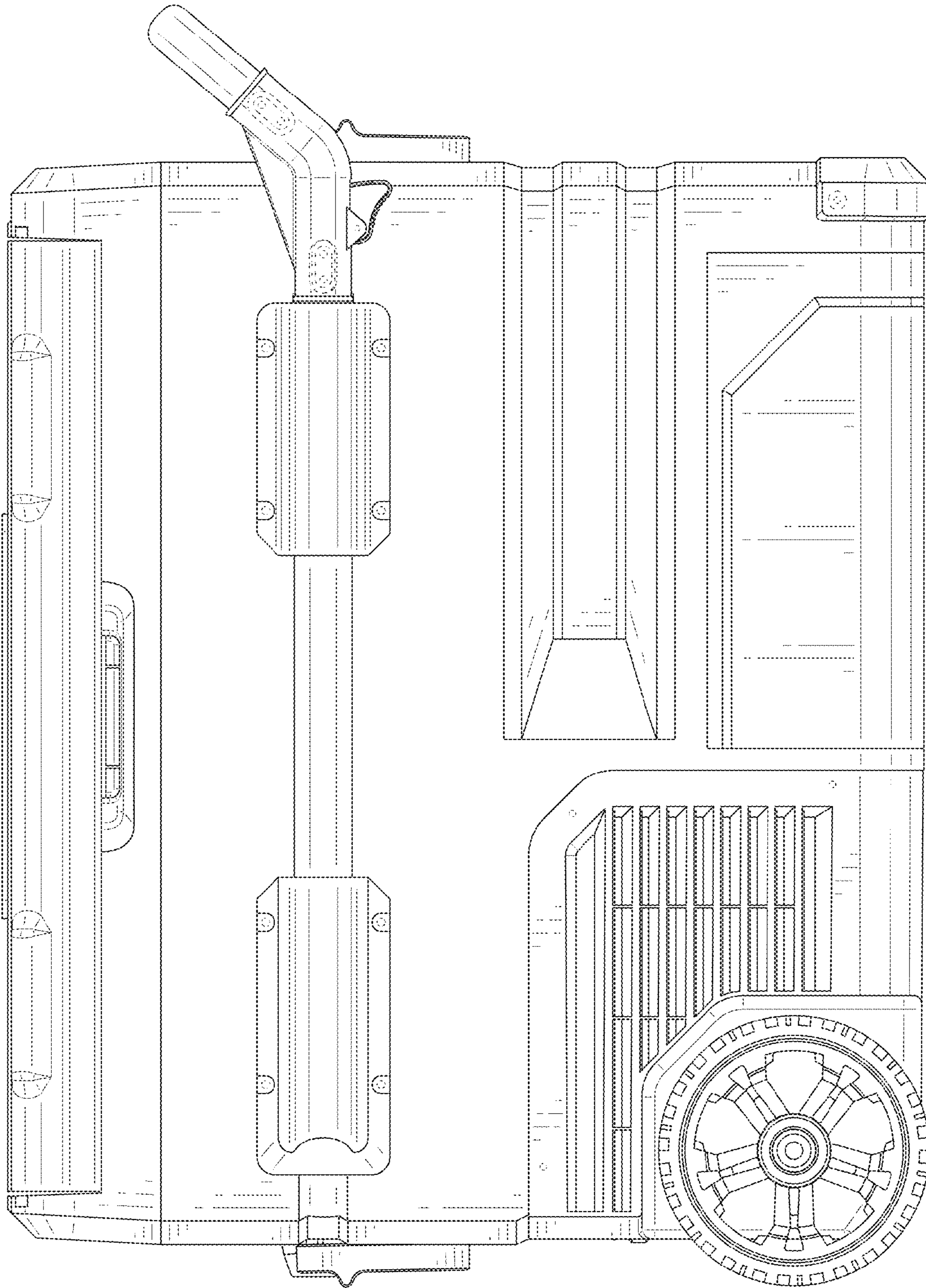


FIG. 4

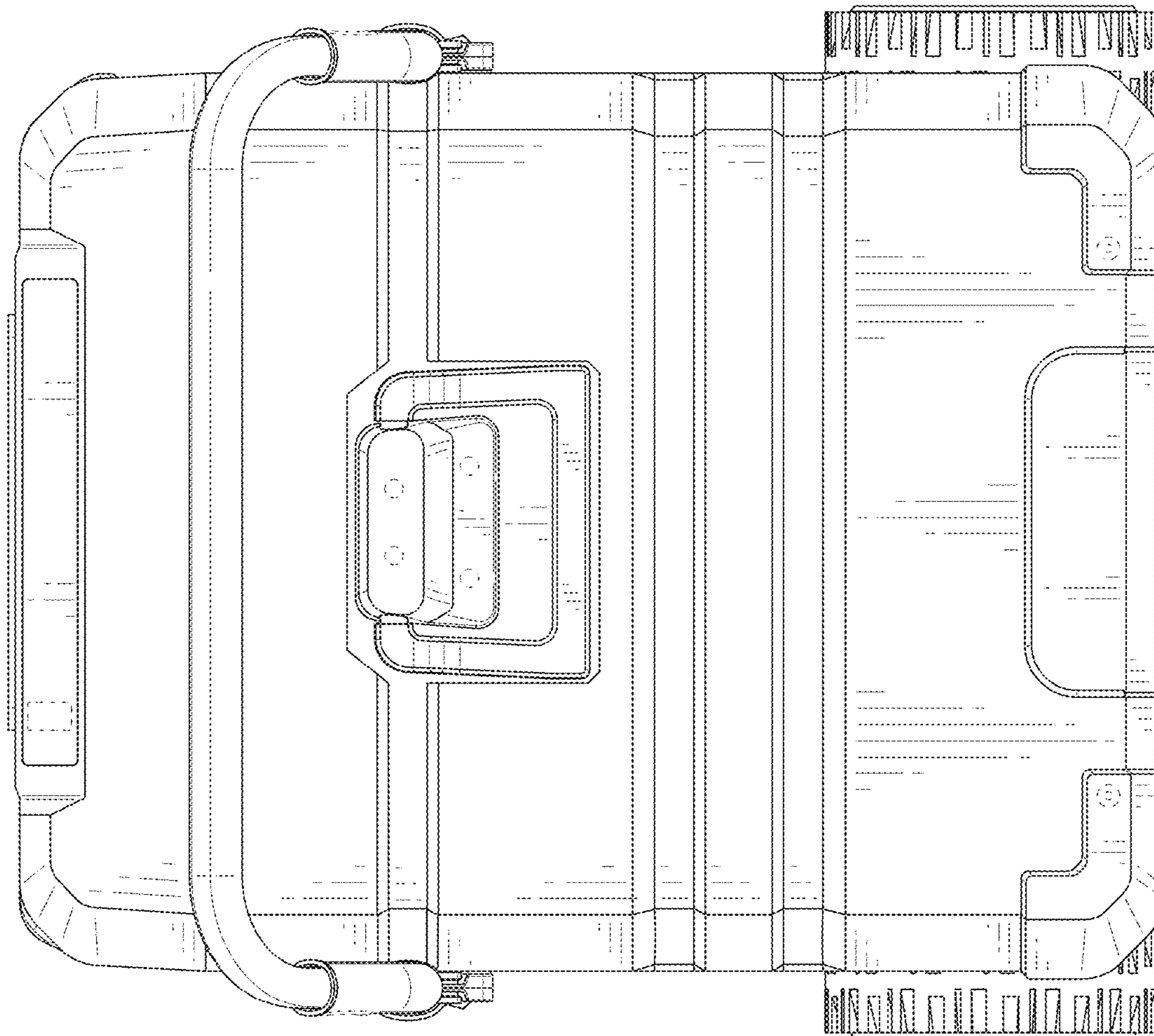


FIG. 5



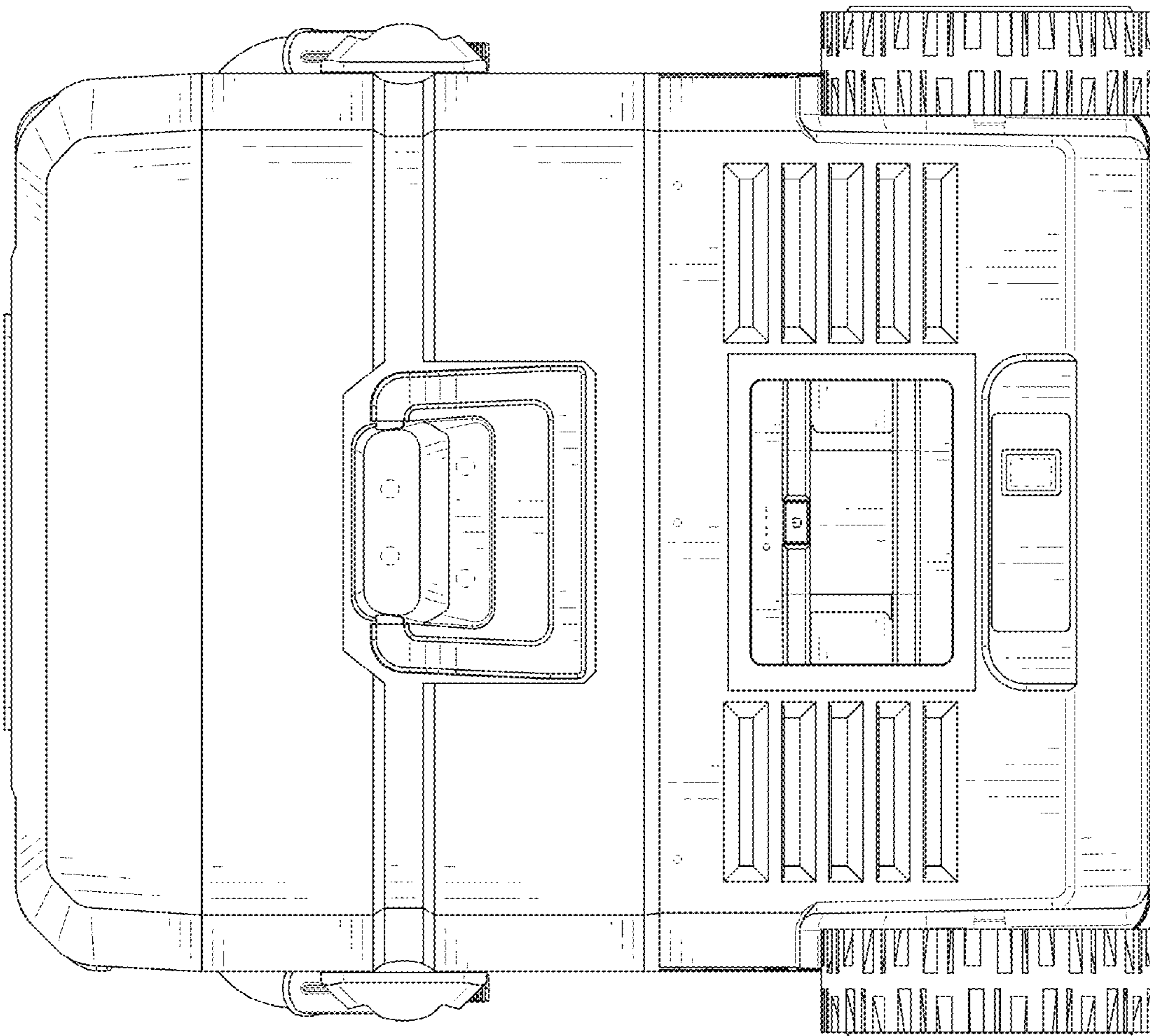


FIG. 6

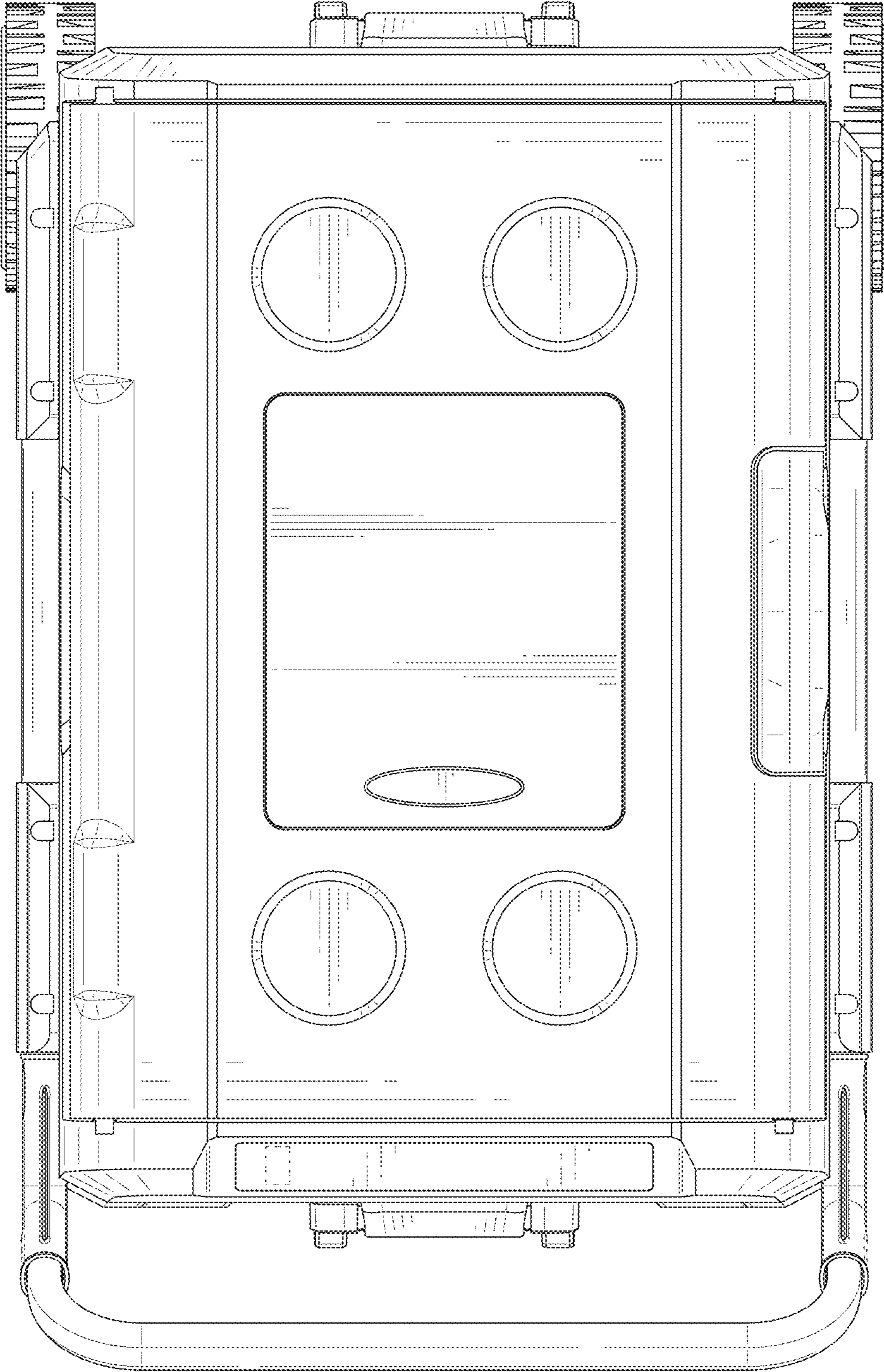


FIG. 7

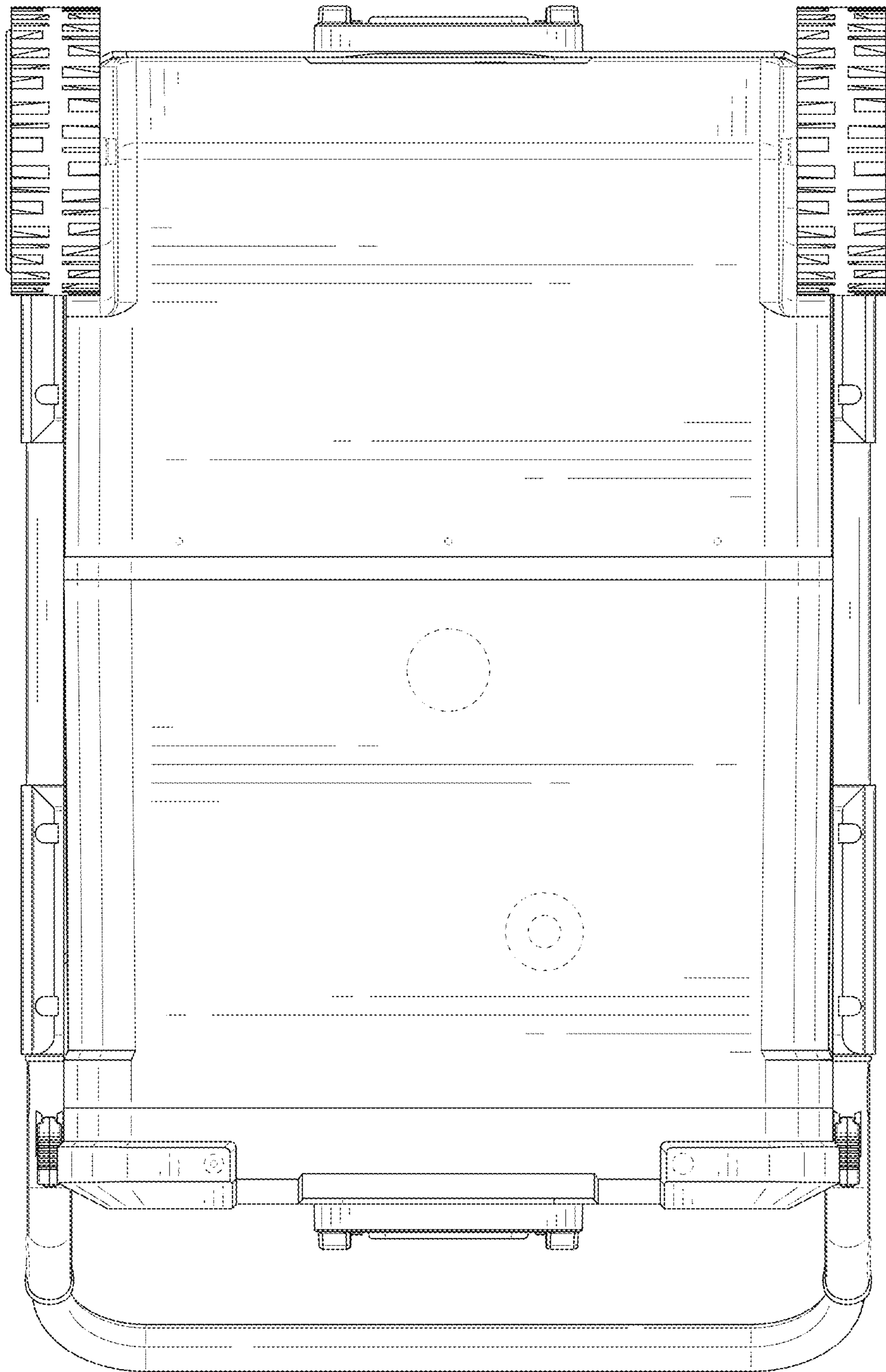


FIG. 8

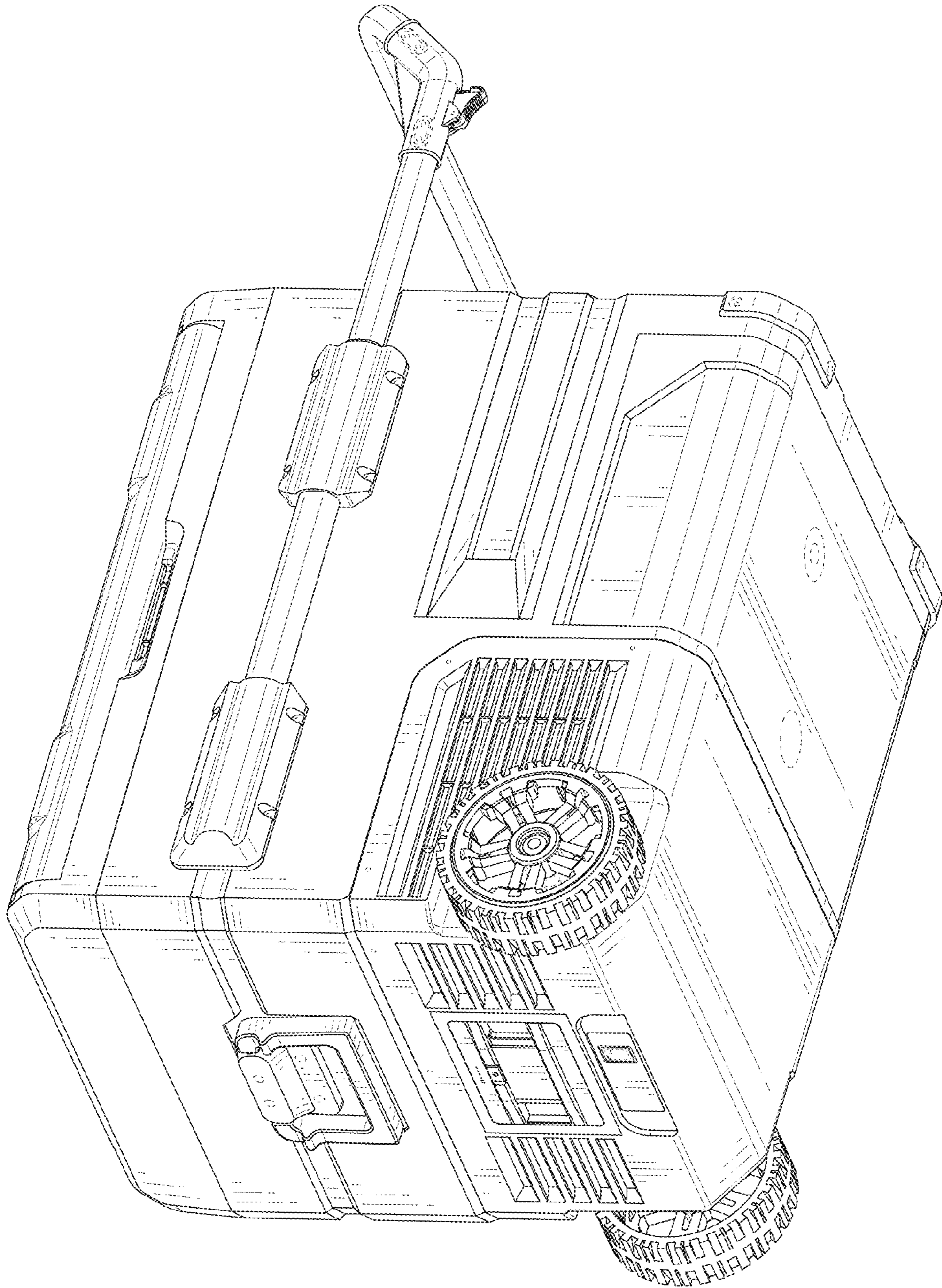


FIG. 9

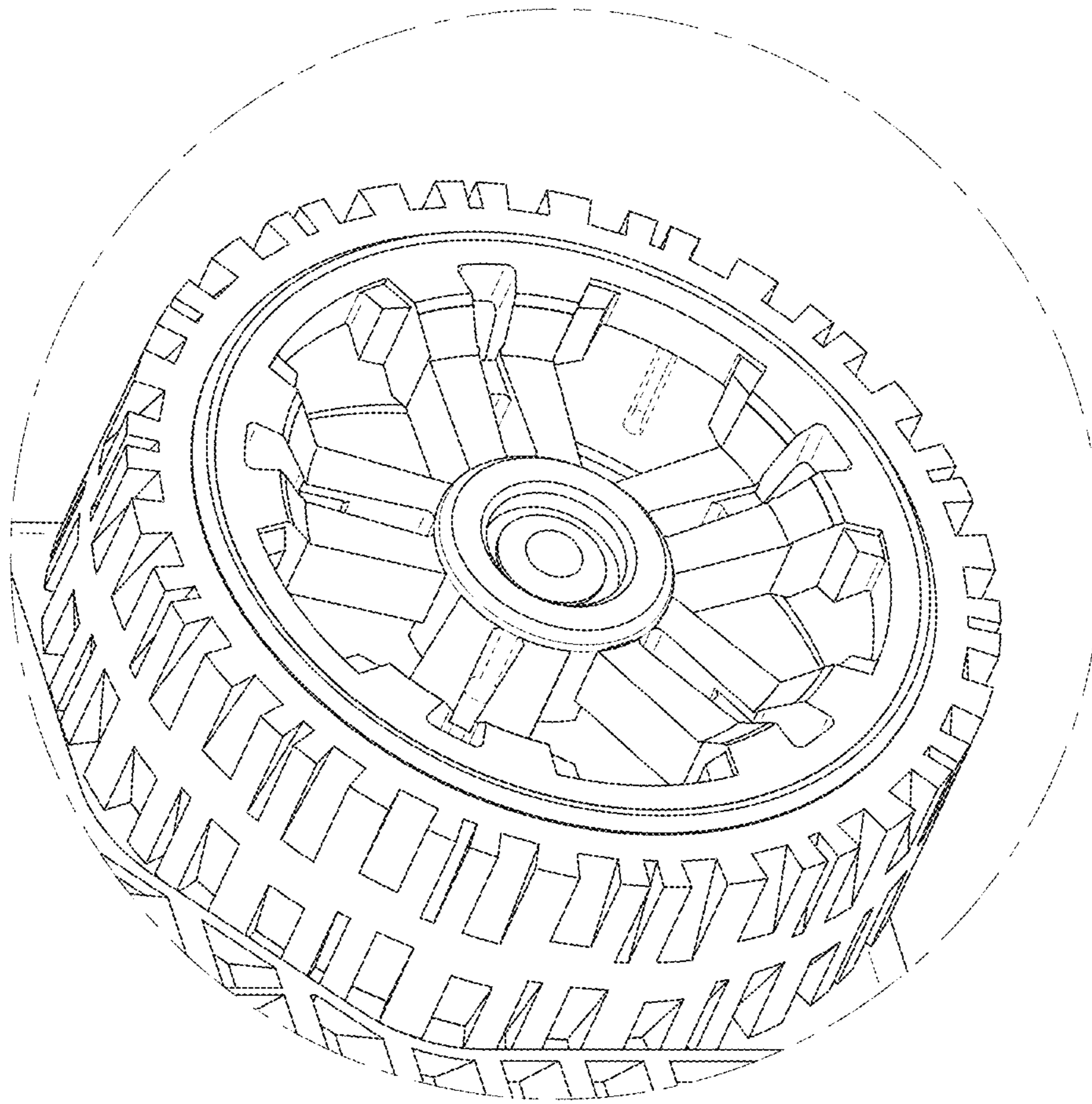


FIG. 10



FIG. 11

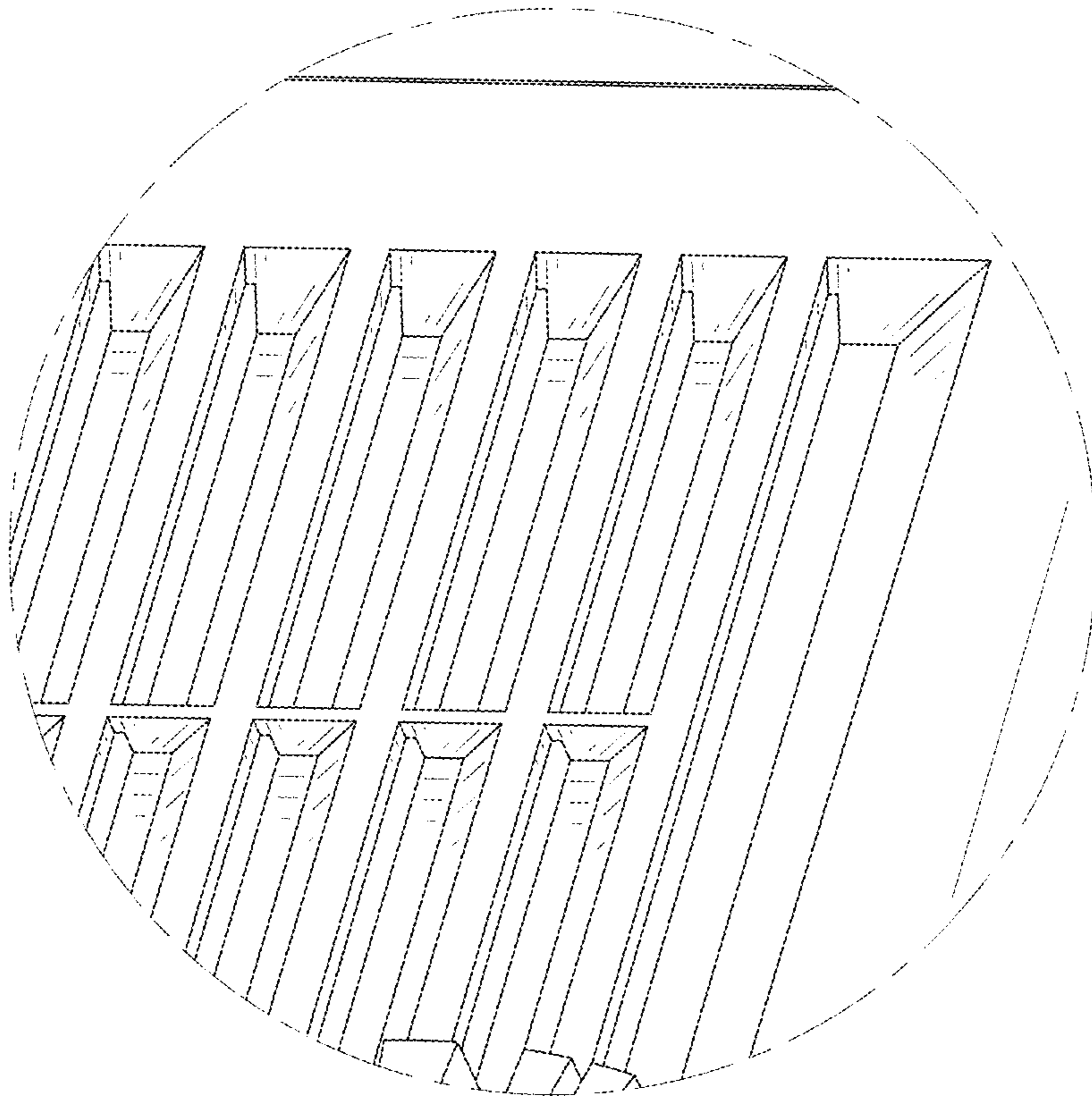


FIG. 12

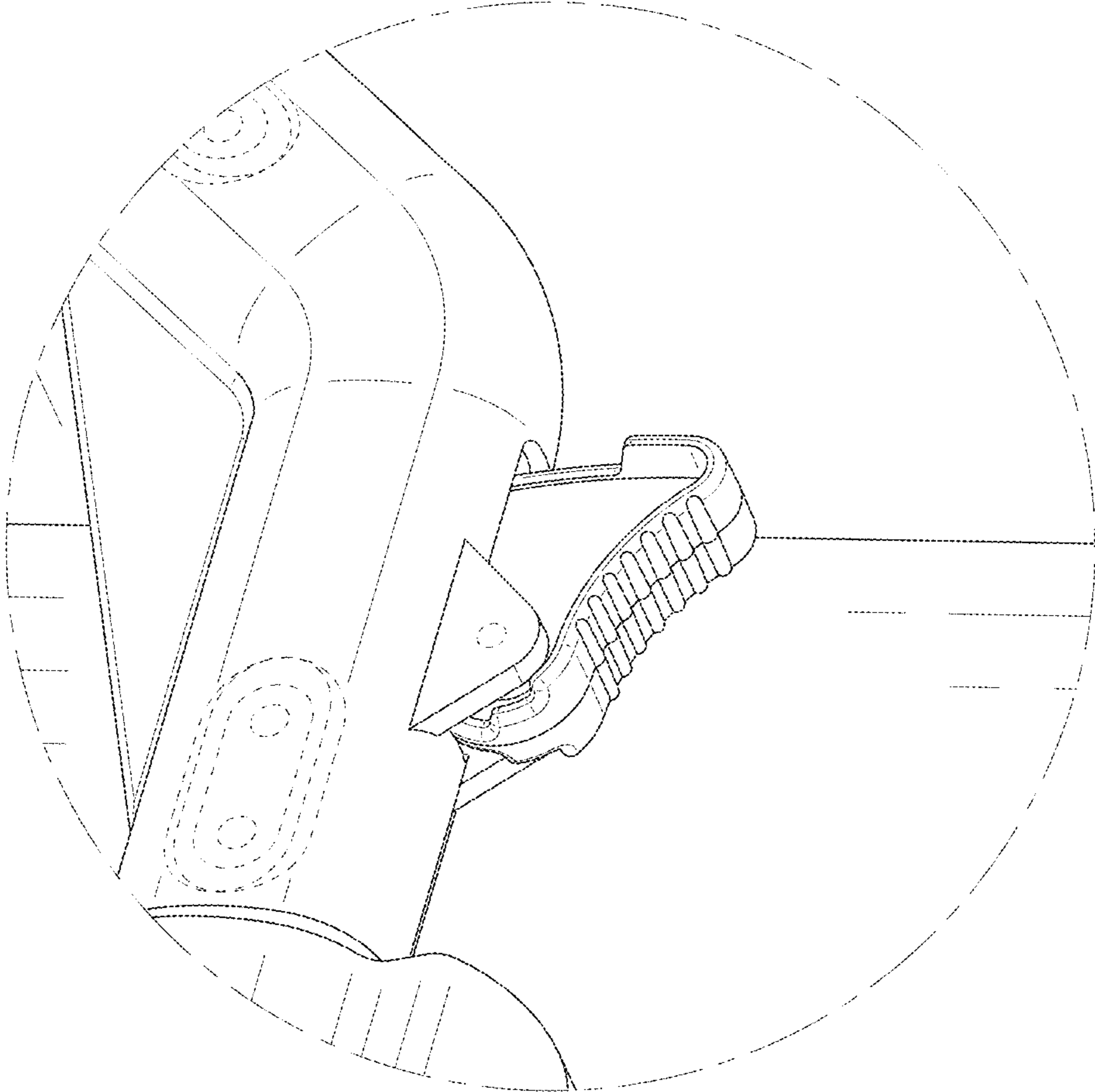


FIG. 13