



US00D958846S

(12) **United States Design Patent**
Zhao et al.

(10) **Patent No.:** **US D958,846 S**
(45) **Date of Patent:** **** Jul. 26, 2022**

(54) **CAR FRIDGE**

FOREIGN PATENT DOCUMENTS

(71) Applicant: **FOSHAN ALPICOOL ELECTRIC APPLIANCE CO., LTD.**, Foshan (CN)

CN 304780009 * 8/2018
CN 305836900 * 6/2020

(Continued)

(72) Inventors: **Pizhi Zhao**, Qingyuan (CN); **Junjie Qin**, Nanning (CN); **Tao Zeng**, Foshan (CN); **Shengming He**, Shaoguan (CN); **Jingcheng Chen**, Nanning (CN); **Jingrui Chen**, Shaoguan (CN)

OTHER PUBLICATIONS

Bodega [online] URL: [https://www.amazon.com/BODEGA-Refrigerator-Portable-Quart-\(75L-Compressor/dp/B08D96HXH7](https://www.amazon.com/BODEGA-Refrigerator-Portable-Quart-(75L-Compressor/dp/B08D96HXH7) (site visited: Nov. 30, 2021) (Year: 2020).*

(Continued)

(**) Term: **15 Years**

Primary Examiner — Jae Liang
Assistant Examiner — Tia Ruth-Renee Polidori

(21) Appl. No.: **29/731,388**

(22) Filed: **Apr. 14, 2020**

(51) **LOC (13) Cl.** **15-07**

(52) **U.S. Cl.**
USPC **D15/79; D15/81**

(58) **Field of Classification Search**
USPC D7/603, 604, 605, 606, 607, 608, 629;
D3/272, 273, 274, 276, 279; D15/79, 80,
D15/81, 83, 85; 62/911
CPC F25C 2400/10; G05B 2219/2654; A45C
11/20; A45C 9/00; A45C 5/14; F25D
3/06; F25D 3/107; F25D 2400/12; F25D
2400/38; F25D 31/005; F25D 11/003;
F25D 11/006; F25D 23/003; F25D
2323/00277; F25D 2201/10; B65D
81/3813; B65D 81/3818; F25B 19/00
See application file for complete search history.

(57) **CLAIM**

The ornamental design for a car fridge, as shown and described.

DESCRIPTION

FIG. 1 is a perspective view of a car fridge showing our new design;
FIG. 2 is another perspective view thereof;
FIG. 3 is a front elevational view thereof;
FIG. 4 is a rear elevational view thereof;
FIG. 5 is a left side elevational view thereof;
FIG. 6 is a right side elevational view thereof;
FIG. 7 is a top plan view thereof;
FIG. 8 is a bottom plan view thereof;
FIG. 9 is an enlarged view of portion 9 shown in FIG. 1;
FIG. 10 is an enlarged view of portion 10 shown in FIG. 2;
and,
FIG. 11 is an enlarged view of portion 11 shown in FIG. 2.
The dash-dash broken lines in the drawings depict portions of the car fridge that form no part of the claimed design and the dot-dash broken lines in the drawings depict partial view indicia that forms no part of the claimed design.

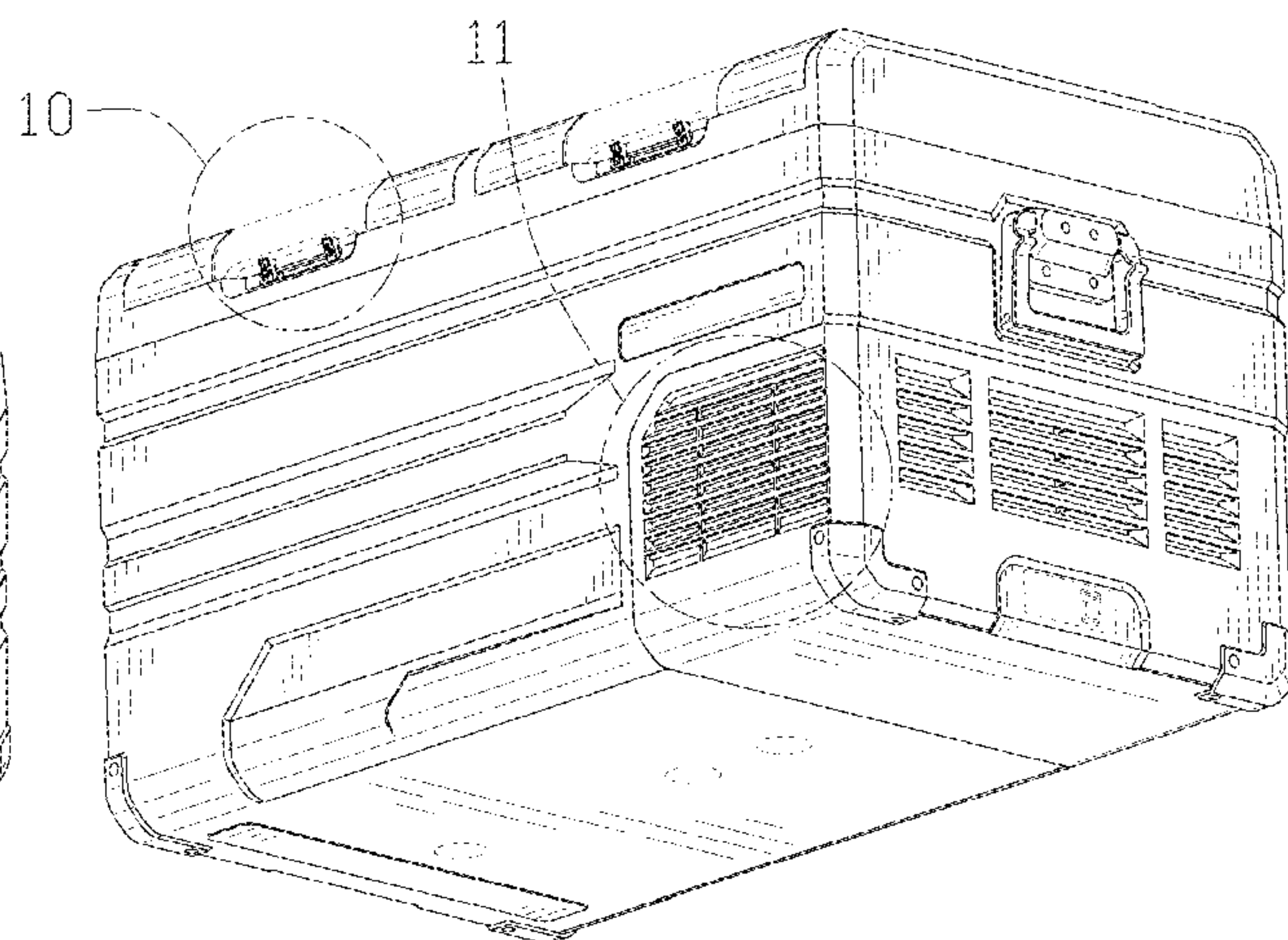
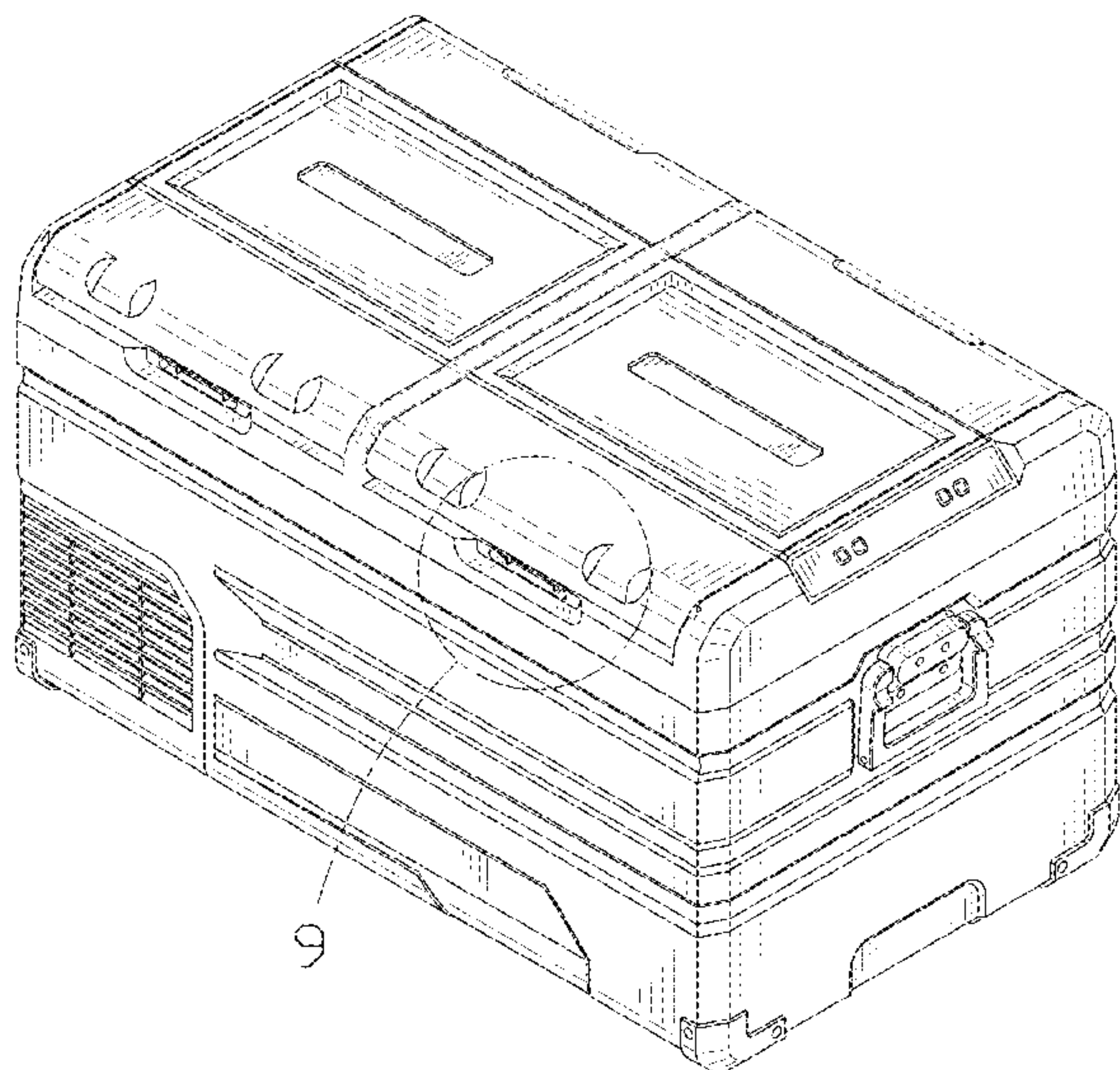
(56) **References Cited**

U.S. PATENT DOCUMENTS

6,305,185 B1 * 10/2001 Sloan A45C 5/14
62/235.1
7,984,997 B1 * 7/2011 Sandberg F21S 9/03
362/101

(Continued)

1 Claim, 11 Drawing Sheets



(56)

References Cited

U.S. PATENT DOCUMENTS

8,256,242 B1 * 9/2012 Evans A45C 11/20
62/457.7
8,479,947 B1 * 7/2013 Albrecht, II A45C 11/20
220/592.02
9,476,638 B1 * 10/2016 Tyler F25D 3/06
D786,022 S * 5/2017 Ravenscraft, Jr. D7/605
9,671,158 B1 * 6/2017 Sandberg F25D 27/00
9,726,424 B1 * 8/2017 Sandberg F21V 23/0414
D815,922 S * 4/2018 Moffett, III D7/608
D873,085 S * 1/2020 DeFrancia D7/605
10,731,919 B1 * 8/2020 Gutierrez F25D 27/005
D917,977 S * 5/2021 Brunner D7/605
D929,471 S * 8/2021 Meda D15/79
2005/0081558 A1 * 4/2005 Yoshida F25D 11/003
62/457.9
2006/0279052 A1 * 12/2006 Marmah A47C 1/14
280/47.26
2007/0028642 A1 * 2/2007 Glade F25D 3/06
62/371
2008/0001373 A1 * 1/2008 Vaughn B60B 35/10
280/47.26
2009/0217699 A1 * 9/2009 Ball A45C 11/20
62/457.7
2009/0260546 A1 * 10/2009 George A45C 11/20
108/26
2010/0263398 A1 * 10/2010 Webb F25D 3/08
62/331
2012/0228074 A1 * 9/2012 Osler A45C 7/0045
190/18 A
2012/0318177 A1 * 12/2012 Piazza, Jr. A45C 9/00
108/14
2016/0025400 A1 * 1/2016 Van Wuffen A23L 3/364
426/418

2017/0027386 A1 * 2/2017 Bungard A47J 41/0055
2017/0043906 A1 * 2/2017 Ravenscraft, Jr. B62B 1/10
2017/0314845 A1 * 11/2017 Tang H04R 1/2807
2018/0009588 A1 * 1/2018 Grogan F25B 21/04
2018/0100682 A1 * 4/2018 Nilsen F25D 16/00
2018/0141718 A1 * 5/2018 Ahlstrom B65D 25/2841
2018/0149400 A1 * 5/2018 Valencia F25D 3/06
2018/0161975 A1 * 6/2018 Brunner B25H 3/02
2018/0194533 A1 * 7/2018 Bramwell A61D 7/00
2018/0238607 A1 * 8/2018 Lagasse F25D 3/06
2019/0330041 A1 * 10/2019 Fire F25D 3/06
2020/0062454 A1 * 2/2020 Duong B65D 25/2841
2020/0187615 A1 * 6/2020 Hockaday, Jr. A45C 5/14
2020/0196725 A1 * 6/2020 Tonelli A45C 13/26
2021/0016923 A1 * 1/2021 Downie B65D 81/3813
2021/0229893 A1 * 7/2021 Maldonado B65D 43/22
2021/0284426 A1 * 9/2021 Kalajyan B65D 45/00
2021/0285710 A1 * 9/2021 Barros F25D 3/06
2021/0285716 A1 * 9/2021 Kalajyan B65D 25/2841

FOREIGN PATENT DOCUMENTS

CN 305836901 * 6/2020
CN 306273735 * 1/2021
CN 306522275 * 5/2021
CN 306885973 * 10/2021
CN 306893932 * 10/2021

OTHER PUBLICATIONS

NewAir [online] URL: <https://www.amazon.com/NewAir-Portable-Protection-Retractable-Construction/dp/B08PJ319M1> (site visited: Nov. 30, 2021) (Year: 2020).*
E Euhomy [online] URL: <https://www.amazon.com/dp/B0969YTZ5R> (site visited: Nov. 30, 2021) (Year: 2021).*

* cited by examiner

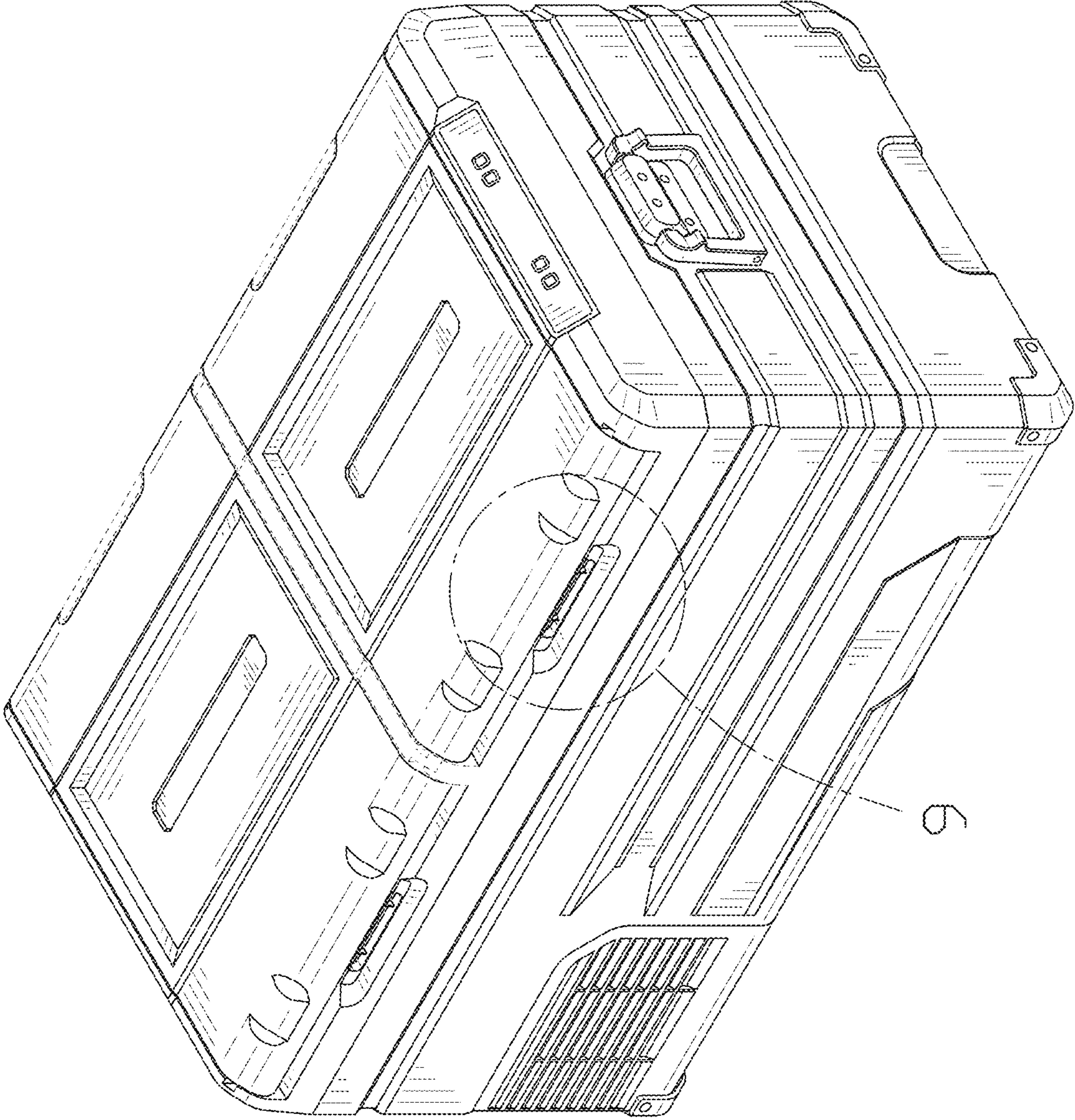


FIG. 1

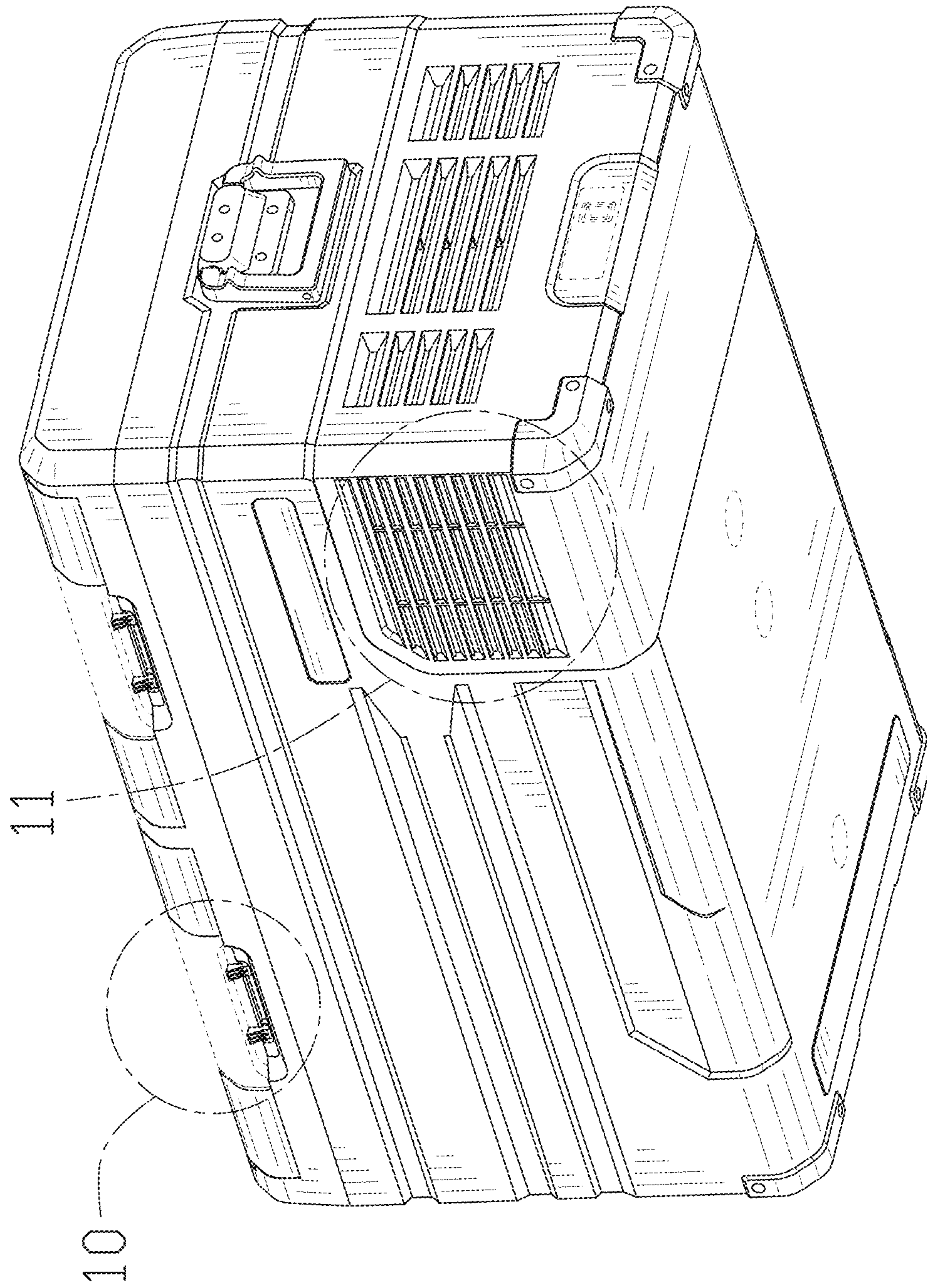


FIG. 2

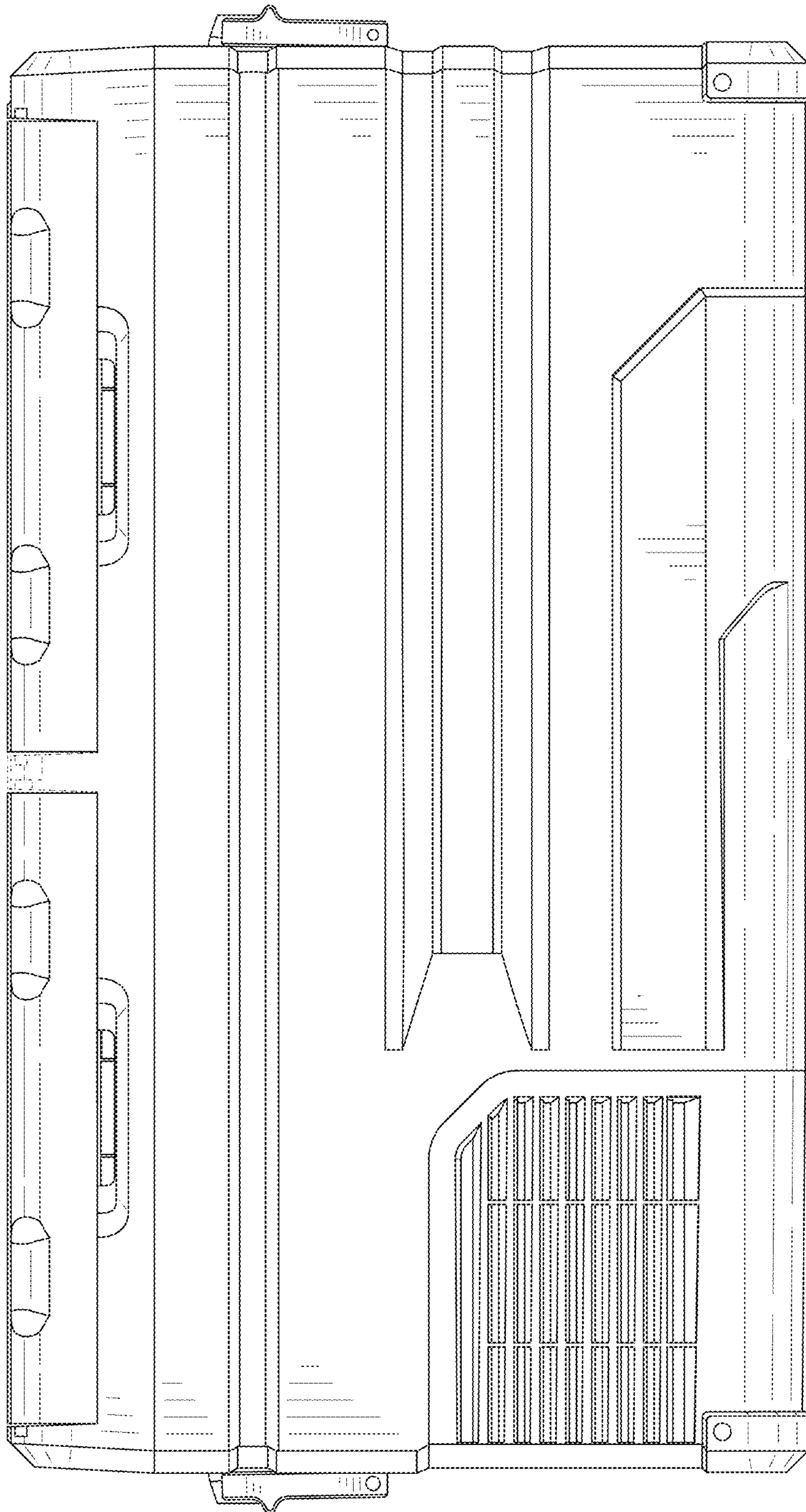


FIG. 3

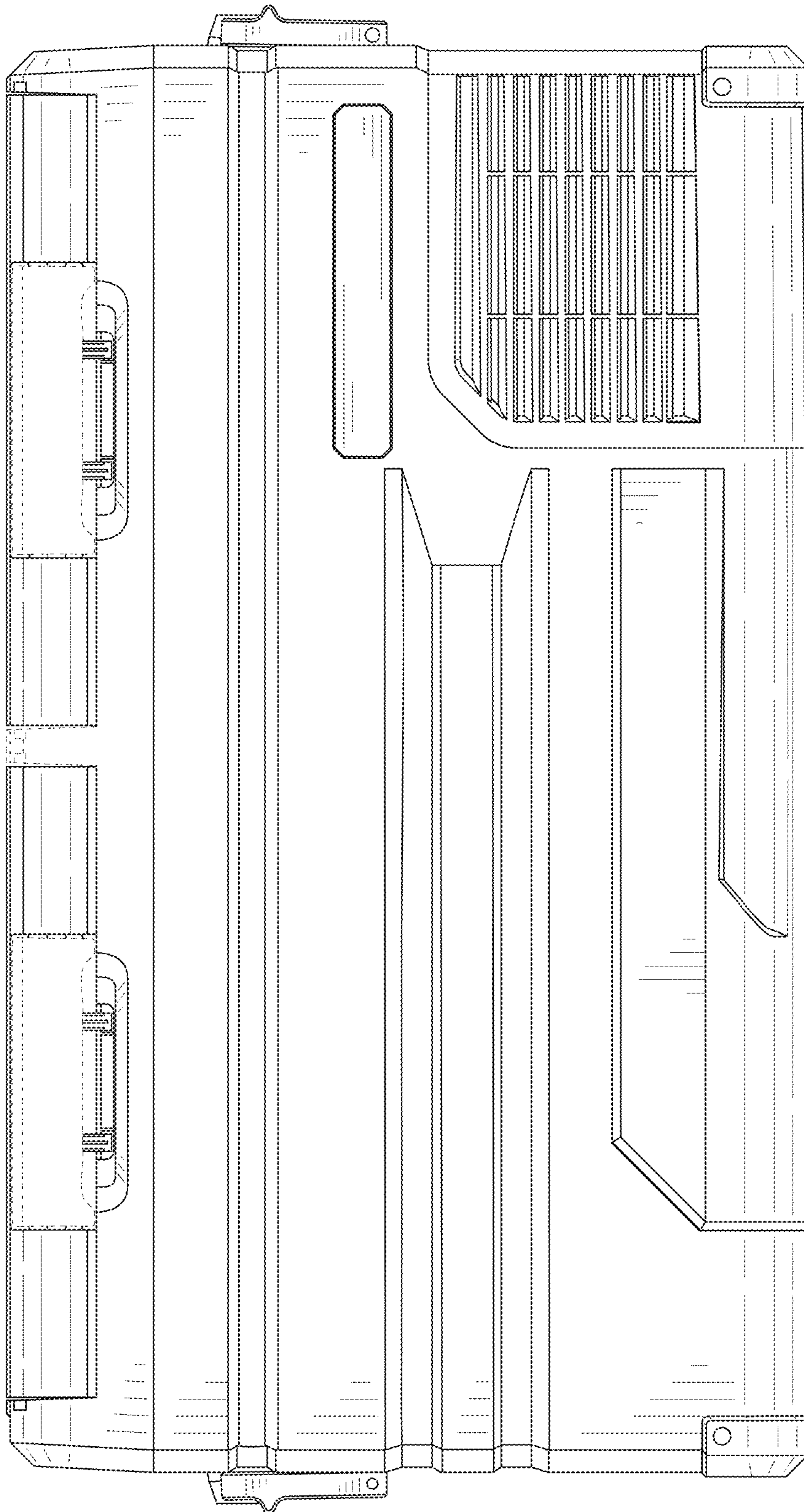


FIG. 4

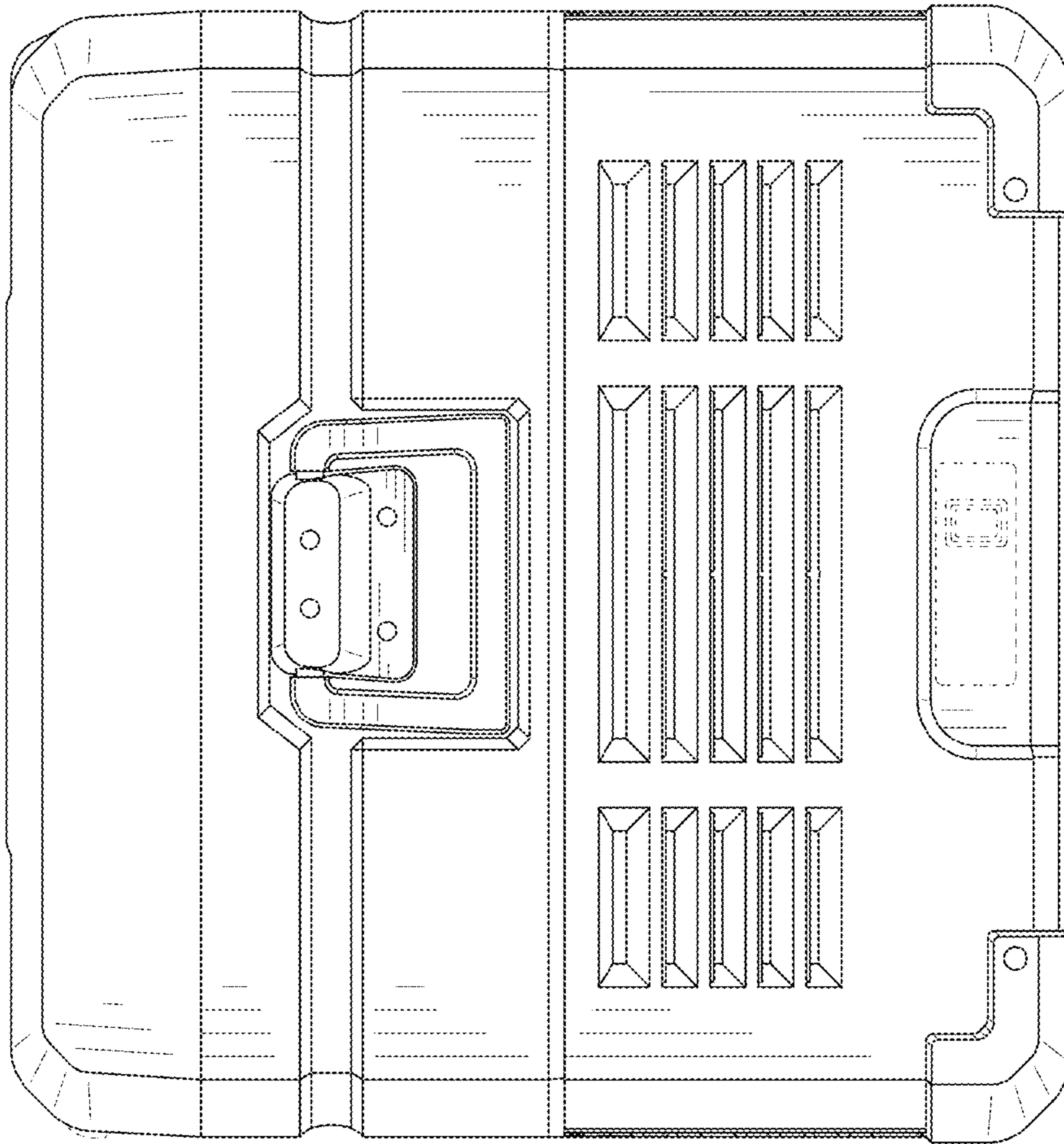


FIG. 5

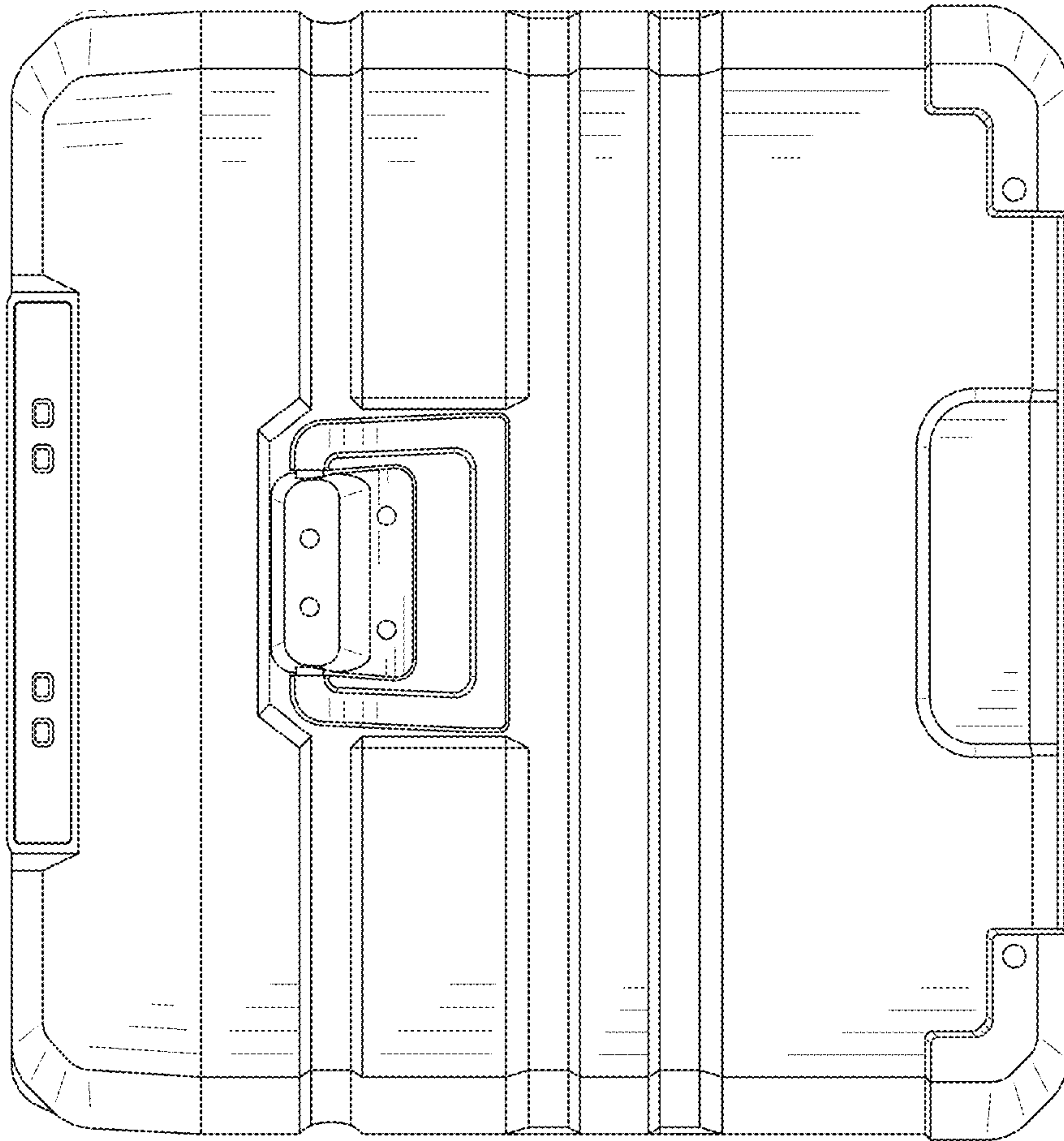


FIG. 6

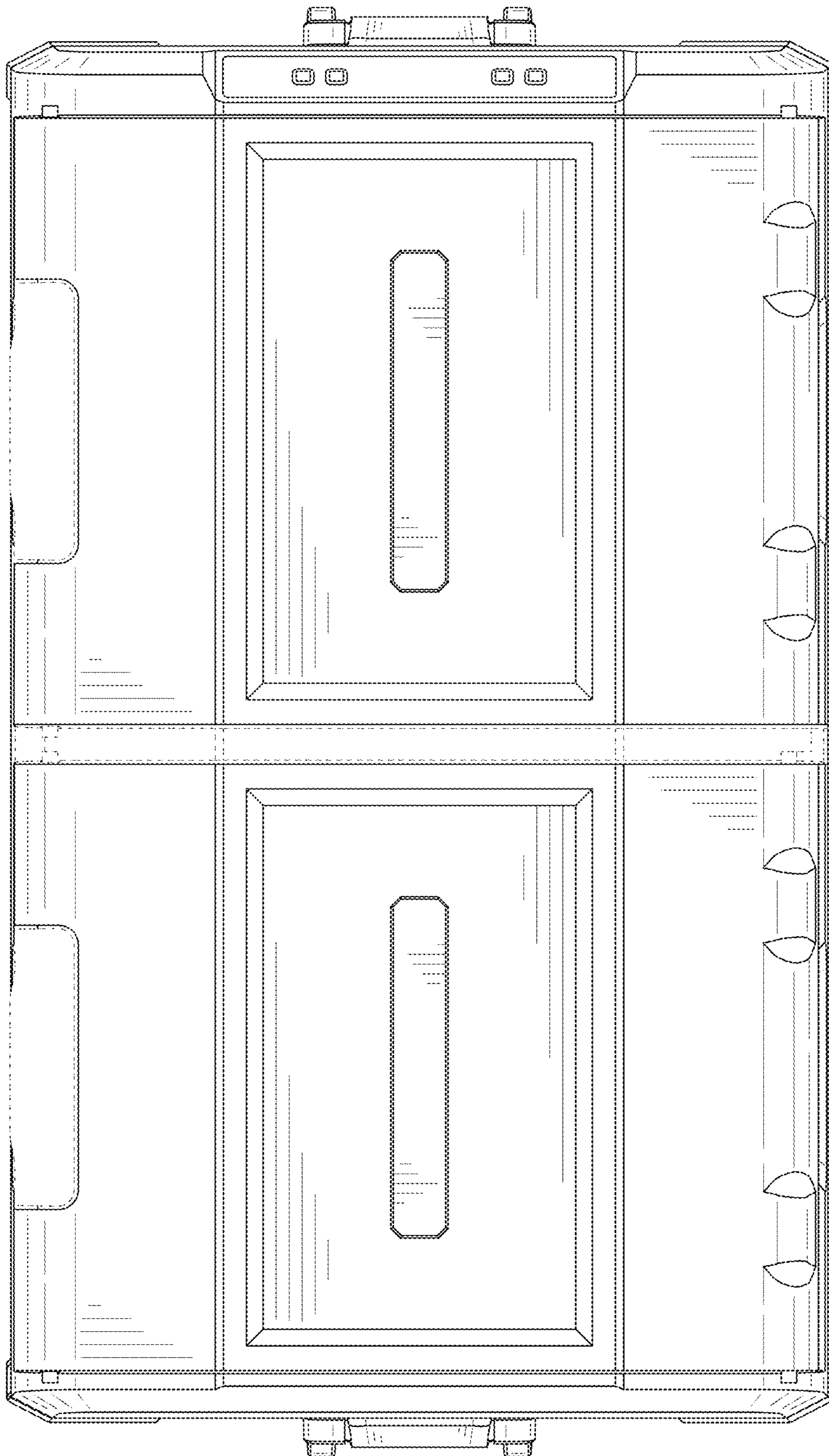


FIG. 7

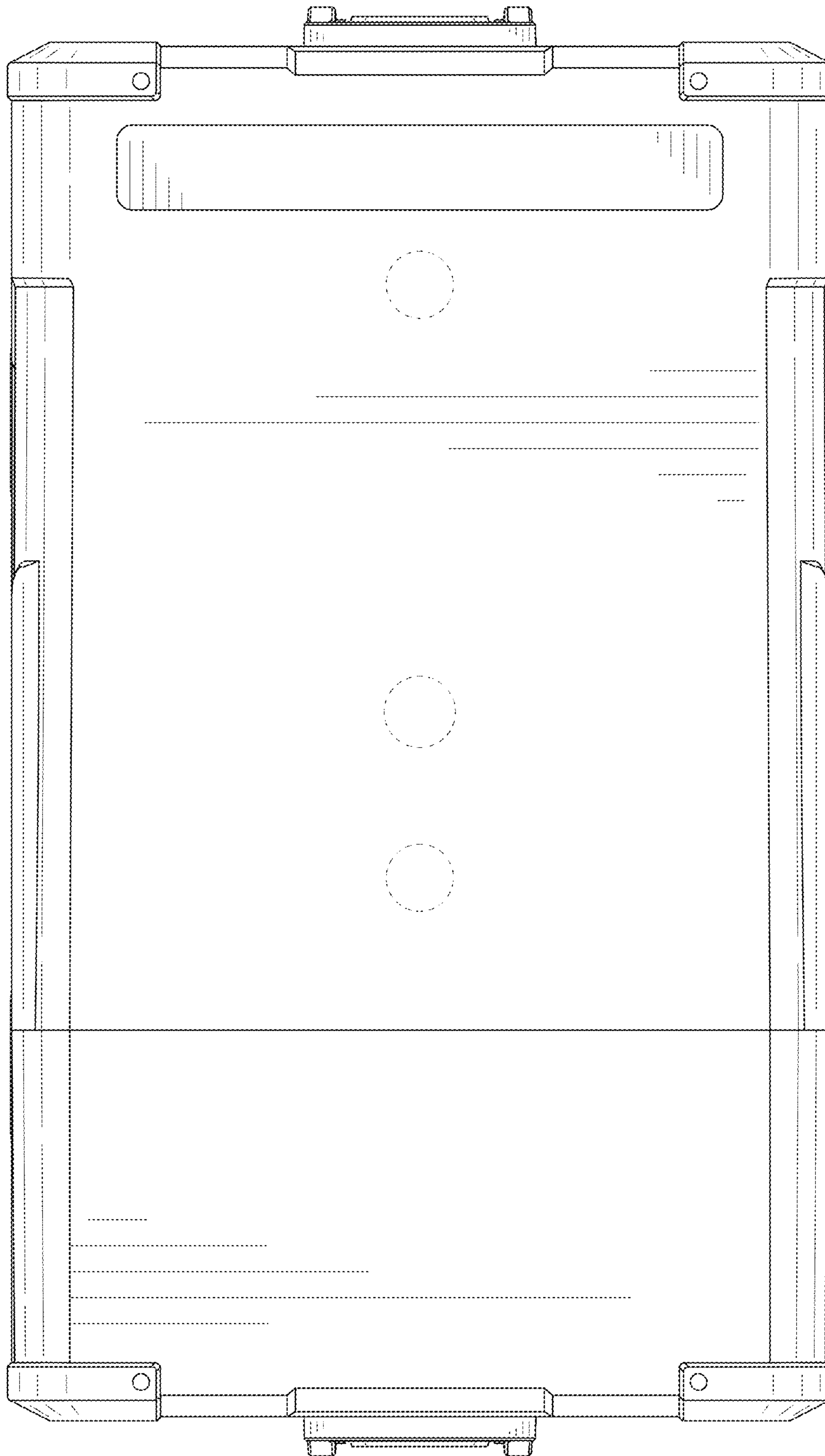


FIG. 8

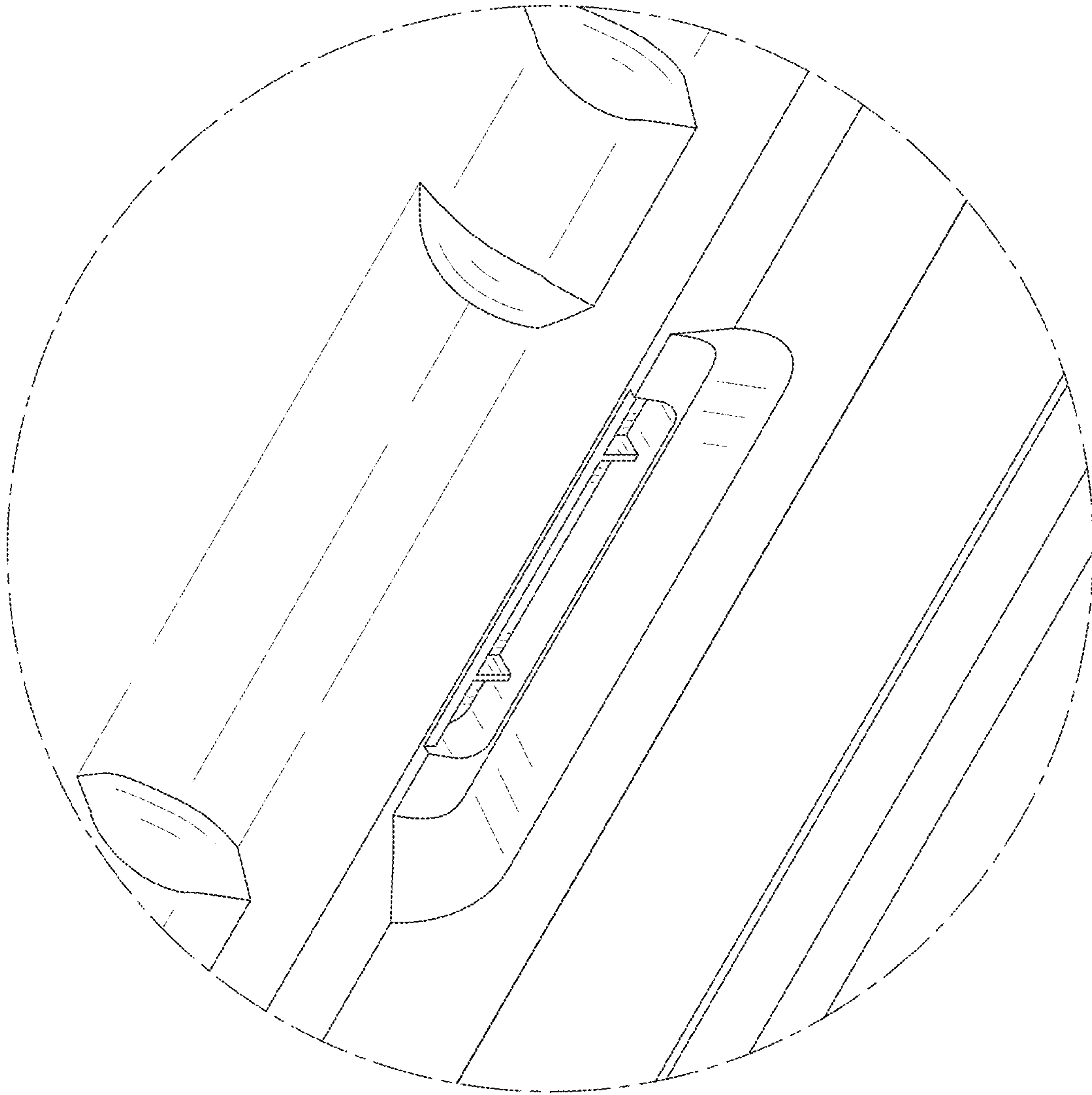


FIG. 9

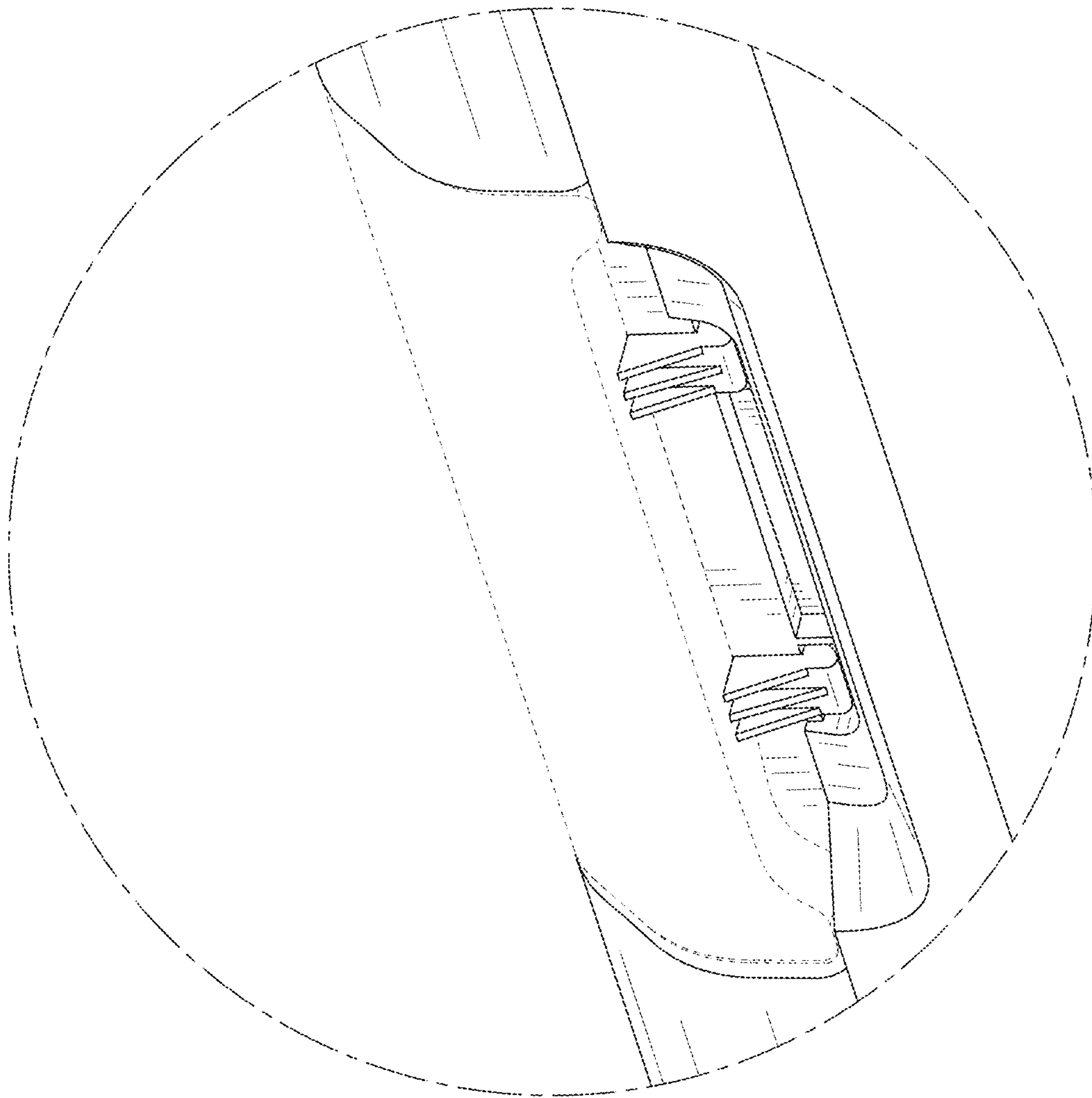


FIG. 10

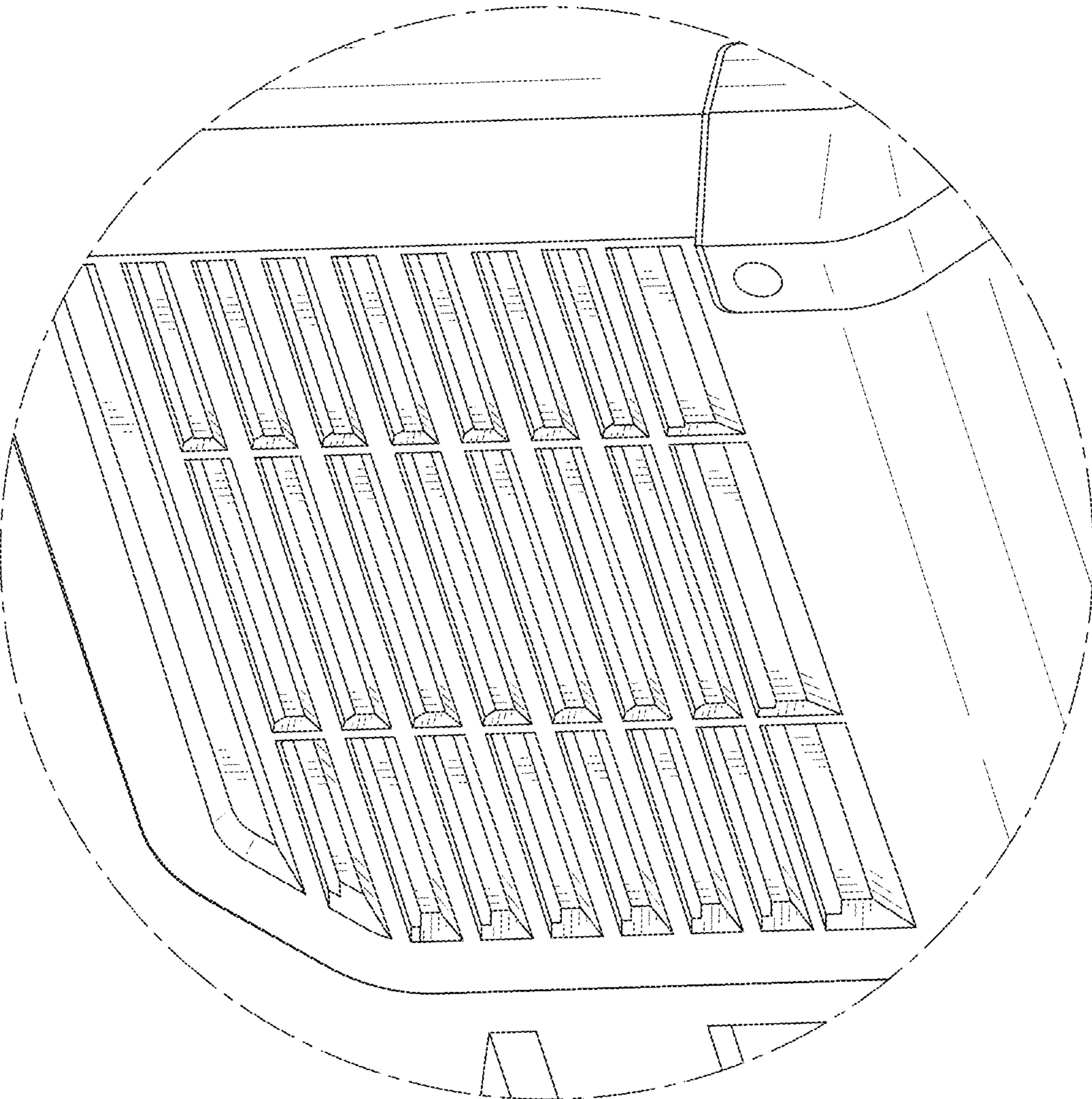


FIG. 11