



US00D958845S

(12) **United States Design Patent**
Zhao et al.

(10) **Patent No.:** **US D958,845 S**
(45) **Date of Patent:** **** Jul. 26, 2022**

(54) **CAR FRIDGE**

FOREIGN PATENT DOCUMENTS

(71) Applicant: **FOSHAN ALPICOOL ELECTRIC APPLIANCE CO., LTD.**, Foshan (CN)

CN 305836902 * 6/2020
CN 306236866 * 12/2020

(Continued)

(72) Inventors: **Pizhi Zhao**, Qingyuan (CN); **Junjie Qin**, Nanning (CN); **Tao Zeng**, Foshan (CN); **Gangqiang Fan**, Jiujiang (CN); **Jingcheng Chen**, Nanning (CN); **Jingrui Chen**, Shaoguan (CN)

OTHER PUBLICATIONS

Alpicool [online] URL: <https://www.suning.com/item/0071272907/12110439442.html> (site visited: Nov. 30, 2021) (Year: 2020).*

(Continued)

(**) Term: **15 Years**

Primary Examiner — Jae Liang

Assistant Examiner — Tia Ruth-Renee Polidori

(21) Appl. No.: **29/731,385**

(57) **CLAIM**

(22) Filed: **Apr. 14, 2020**

The ornamental design for a car fridge, as shown and described.

(30) **Foreign Application Priority Data**

DESCRIPTION

Apr. 7, 2020 (CN) 202030132028.7

(51) **LOC (13) Cl.** **15-07**

(52) **U.S. Cl.**
USPC **D15/79**; D15/83

(58) **Field of Classification Search**
USPC D7/603, 604, 605, 606, 607, 608, 629;
D3/272, 273, 274, 276, 279; D15/79, 80,
D15/81, 83, 85; 62/911
CPC F25C 2400/10; G05B 2219/2654; A45C
11/20; A45C 9/00; A45C 5/14; F25D
3/06; F25D 3/107; F25D 2400/12; F25D
(Continued)

FIG. 1 is a perspective view of a car fridge showing our new design;
FIG. 2 is another perspective view thereof;
FIG. 3 is a front elevational view thereof;
FIG. 4 is a rear elevational view thereof;
FIG. 5 is a left side elevational view thereof;
FIG. 6 is a right side elevational view thereof;
FIG. 7 is a top plan view thereof;
FIG. 8 is a bottom plan view thereof;
FIG. 9 is a perspective view of our new design for a car fridge in a configuration of use;
FIG. 10 is an enlarged view of portion 10 shown in FIG. 1;
FIG. 11 is an enlarged view of portion 11 shown in FIG. 2;
and,
FIG. 12 is an enlarged view of portion 12 shown in FIG. 2.
The dash-dash broken lines in the drawings depict portions of the car fridge that form no part of the claimed design and the dot-dash broken lines in the drawings depict partial view indicia that forms no part of the claimed design.

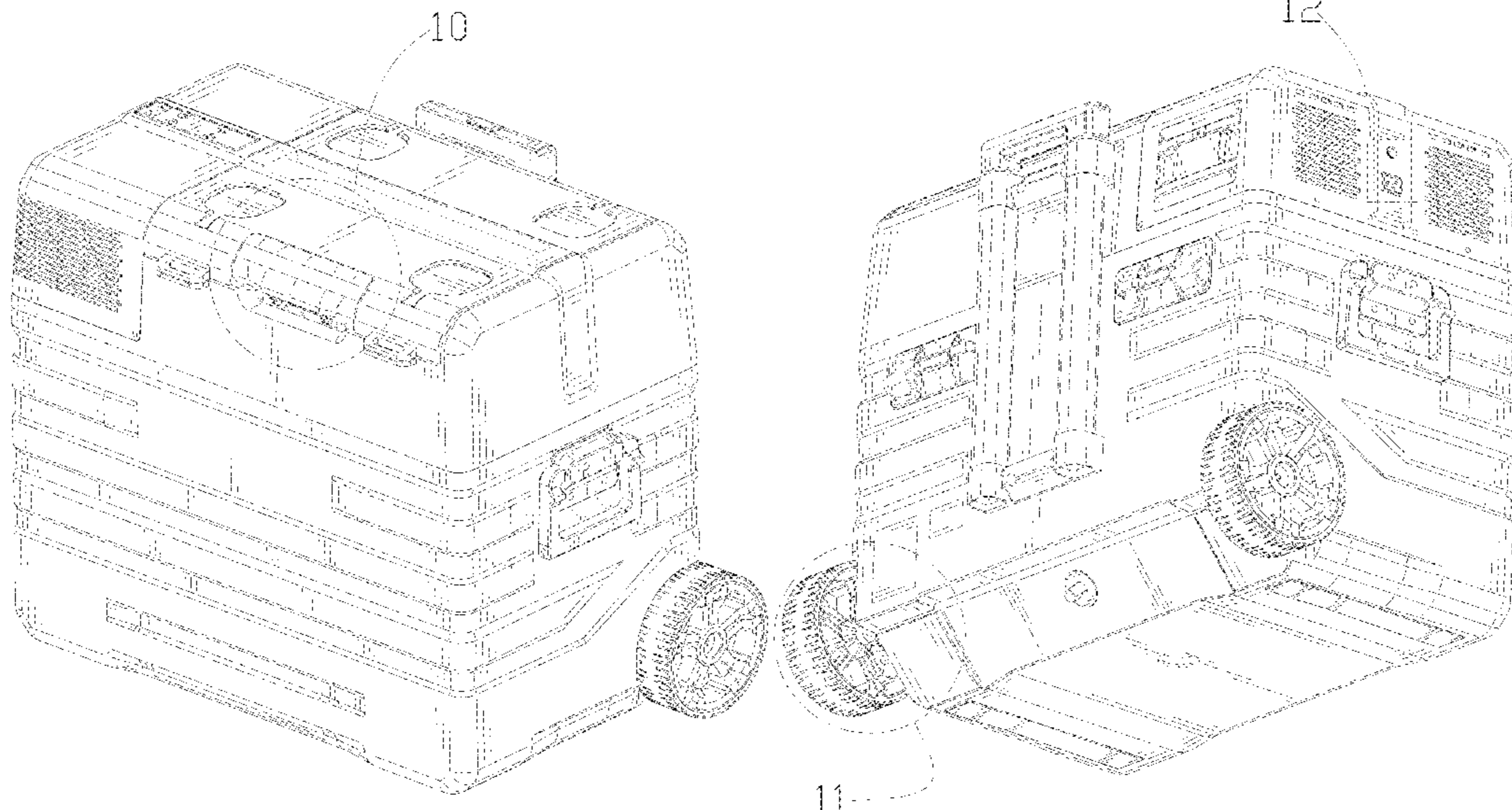
(56) **References Cited**

U.S. PATENT DOCUMENTS

4,724,681 A * 2/1988 Bartholomew F25D 3/06
190/18 A
5,064,088 A * 11/1991 Steffes B65D 43/161
220/837

(Continued)

1 Claim, 12 Drawing Sheets



US D958,845 S

(58) **Field of Classification Search**
 CPC .. 2400/38; F25D 31/005; F25D 11/003; F25D
 11/006; F25D 23/003; F25D 2323/00277;
 F25D 2201/10; B65D 81/3813; B65D
 81/3818; F25B 19/00
 See application file for complete search history.

(56) **References Cited**

U.S. PATENT DOCUMENTS

5,454,477 A * 10/1995 Bornhorst B65D 85/30
 220/23.4
 5,683,097 A * 11/1997 Fenton A45C 5/14
 280/47.26
 6,176,499 B1 * 1/2001 Conrado A45C 5/14
 280/47.26
 6,216,488 B1 * 4/2001 Rucker A45B 11/00
 62/331
 6,305,185 B1 * 10/2001 Sloan A45C 5/14
 62/235.1
 6,364,329 B1 * 4/2002 Holub A45C 5/14
 280/47.26
 D528,368 S * 9/2006 Maldonado D7/605
 7,143,601 B1 * 12/2006 Jimenez F25D 23/12
 62/457.7
 D552,426 S * 10/2007 Jones D7/605
 D613,560 S * 4/2010 Robichaud D7/605
 7,870,937 B1 * 1/2011 Arnao A45C 9/00
 190/1
 7,984,997 B1 * 7/2011 Sandberg F21S 9/03
 362/101
 8,256,156 B1 * 9/2012 Burgoyne, Jr. A01K 97/06
 43/54.1
 9,448,000 B2 * 9/2016 Patsis B62B 1/10
 9,476,638 B1 * 10/2016 Tyler F25D 3/06
 9,671,158 B1 * 6/2017 Sandberg F25D 27/00
 D792,486 S * 7/2017 Li D15/81
 9,726,424 B1 * 8/2017 Sandberg F21V 23/0414
 D807,707 S * 1/2018 Grepper D7/605
 D807,708 S * 1/2018 Grepper D7/605
 D815,919 S * 4/2018 DeFrancia D7/605
 9,976,789 B2 * 5/2018 Grepper A45C 11/20
 D836,993 S * 1/2019 Meda D7/605
 D836,994 S * 1/2019 Meda D7/605
 D836,995 S * 1/2019 Carey D7/605
 D844,324 S * 4/2019 Hoppe D3/279
 D850,217 S * 6/2019 Kittel, III D7/605
 D851,138 S * 6/2019 Murobayashi D15/81
 D863,892 S * 10/2019 Ellison D7/605
 D863,893 S * 10/2019 Ellison D7/605
 D869,244 S * 12/2019 Ellison D7/605
 D873,085 S * 1/2020 DeFrancia D7/605
 D883,752 S * 5/2020 Carey D7/605
 D884,434 S * 5/2020 Merlino D7/605
 10,641,538 B1 * 5/2020 Tang F25D 23/06
 D887,788 S * 6/2020 Meda D7/605
 D888,503 S * 6/2020 Meda D7/605
 10,731,919 B1 * 8/2020 Gutierrez F25D 27/005
 D905,129 S * 12/2020 Deng D15/81
 D906,377 S * 12/2020 Tang D15/79
 D907,074 S * 1/2021 Yang D15/83
 10,967,896 B2 * 4/2021 Kravchenko B62B 1/26
 D917,977 S * 5/2021 Brunner D7/605
 D922,148 S * 6/2021 Yang D7/605
 D922,454 S * 6/2021 Tang D15/79
 11,027,885 B2 * 6/2021 Duong B65D 25/2841
 D927,939 S * 8/2021 Ellison D7/605
 D929,188 S * 8/2021 Pennington D7/605
 D929,189 S * 8/2021 Pennington D7/605
 D937,328 S * 11/2021 Tang D15/79
 2005/0081558 A1 * 4/2005 Yoshida F25D 11/003
 62/457.9
 2005/0263527 A1 * 12/2005 Maldonado A45C 13/40
 220/592.2
 2006/0065655 A1 * 3/2006 Taylor B65D 11/1826
 220/6

2006/0196218 A1 * 9/2006 Mogil A45C 11/20
 62/457.4
 2006/0279052 A1 * 12/2006 Marmah A47C 1/14
 280/47.26
 2007/0028642 A1 * 2/2007 Glade F25D 3/06
 62/371
 2008/0001373 A1 * 1/2008 Vaughn B60B 35/10
 280/47.26
 2008/0245793 A1 * 10/2008 Hanson A45C 11/20
 220/263
 2009/0217699 A1 * 9/2009 Ball A45C 11/20
 62/457.7
 2009/0260546 A1 * 10/2009 George A45C 11/20
 108/26
 2010/0133326 A1 * 6/2010 Sanchez B65D 81/3876
 229/87.03
 2010/0263398 A1 * 10/2010 Webb F25D 3/08
 62/331
 2011/0226003 A1 * 9/2011 Chaney B62B 1/20
 62/457.7
 2012/0228074 A1 * 9/2012 Osler A45C 7/0045
 190/18 A
 2012/0318177 A1 * 12/2012 Piazza, Jr. A45C 9/00
 108/14
 2013/0082044 A1 * 4/2013 Doan H05B 6/6426
 219/387
 2013/0168882 A1 * 7/2013 Lykins B62B 1/125
 261/136
 2013/0207359 A1 * 8/2013 Vanderberg B62B 5/067
 280/30
 2013/0207360 A1 * 8/2013 Vanderberg A45C 11/20
 280/30
 2015/0010189 A1 * 1/2015 Besay H04R 1/028
 381/334
 2015/0114024 A1 * 4/2015 Grepper B01F 7/0025
 62/320
 2015/0267956 A1 * 9/2015 Miller F25D 27/00
 62/457.7
 2015/0300720 A1 * 10/2015 Anderson F25D 3/08
 62/398
 2015/0338159 A1 * 11/2015 Watson F25D 3/06
 220/592.03
 2016/0023349 A1 * 1/2016 Hoppe A45C 7/0045
 280/655.1
 2016/0025400 A1 * 1/2016 Van Wuffen A23L 3/364
 426/418
 2016/0097551 A1 * 4/2016 Johnson F24F 5/0021
 62/411
 2016/0150862 A1 * 6/2016 Tonelli A45C 13/262
 190/18 A
 2016/0153690 A1 * 6/2016 Patsis B65D 25/28
 222/608
 2016/0183677 A1 * 6/2016 Achillopoulos A45C 5/14
 190/11
 2016/0187046 A1 * 6/2016 Chen A45C 11/20
 62/239
 2016/0244081 A1 * 8/2016 Chaloux A45C 15/00
 2016/0272405 A1 * 9/2016 Furneaux B65D 25/38
 2017/0023289 A1 * 1/2017 Anderson F25D 3/08
 2017/0023290 A1 * 1/2017 Demuth F25D 25/022
 2017/0027386 A1 * 2/2017 Bungard A47J 41/0055
 2017/0043800 A1 * 2/2017 Chaloux B62B 1/12
 2017/0043906 A1 * 2/2017 Ravenscraft, Jr. B62B 1/10
 2017/0082342 A1 * 3/2017 Weinberg A63B 67/002
 2017/0129097 A1 * 5/2017 Engvall B25H 1/04
 2017/0234596 A1 * 8/2017 Patsis A45C 11/20
 220/592.2
 2017/0314845 A1 * 11/2017 Tang H04R 1/2807
 2017/0370629 A1 * 12/2017 Fire B67D 1/0874
 2018/0009588 A1 * 1/2018 Grogan F25B 21/04
 2018/0015938 A1 * 1/2018 DeFrancia B62B 5/067
 2018/0100682 A1 * 4/2018 Nilsen F25D 16/00
 2018/0127007 A1 * 5/2018 Kravchenko B62B 1/04
 2018/0141718 A1 * 5/2018 Ahlstrom B65D 25/2841
 2018/0141739 A1 * 5/2018 Hengen A45C 5/14
 2018/0149400 A1 * 5/2018 Valencia F25D 3/06
 2018/0161975 A1 * 6/2018 Brunner B25H 3/02

(56)

References Cited

U.S. PATENT DOCUMENTS

2018/0194533 A1* 7/2018 Bramwell A61D 7/00
 2018/0238607 A1* 8/2018 Lagasse F25D 3/06
 2018/0274837 A1* 9/2018 Christensen A47G 23/02
 2019/0059539 A1* 2/2019 Russell A45C 9/00
 2019/0145673 A1* 5/2019 Hoffmann H02J 3/46
 62/235.1
 2019/0216193 A1* 7/2019 Kabalin B60B 3/001
 2019/0277552 A1* 9/2019 Vu F25D 23/025
 2019/0329811 A1* 10/2019 Jones B62B 5/00
 2019/0330041 A1* 10/2019 Fire F25D 3/06
 2020/0062454 A1* 2/2020 Duong B65D 25/2841
 2020/0132356 A1* 4/2020 Tang F25D 11/00
 2020/0140165 A1* 5/2020 Soto B65D 81/3813
 2020/0187615 A1* 6/2020 Hockaday, Jr. A45C 5/14
 2020/0196725 A1* 6/2020 Tonelli A45C 13/26
 2020/0216229 A1* 7/2020 Guan B65D 25/2841
 2020/0217571 A1* 7/2020 Guan F25D 11/02
 2020/0217574 A1* 7/2020 Thelin B65D 81/3813
 2021/0018250 A1* 1/2021 Tang F25B 27/00

2021/0070523 A1* 3/2021 Iyer B65D 43/022
 2021/0154824 A1* 5/2021 Barton A45C 13/1084
 2021/0229893 A1* 7/2021 Maldonado B65D 43/22
 2021/0284426 A1* 9/2021 Kalajyan B65D 45/00
 2021/0285710 A1* 9/2021 Barros F25D 3/06
 2021/0285716 A1* 9/2021 Kalajyan B65D 25/2841
 2021/0296711 A1* 9/2021 Zhao B60H 1/00
 2021/0362906 A1* 11/2021 Brunner B62B 1/14

FOREIGN PATENT DOCUMENTS

CN 306236867 * 12/2020
 CN 306451697 * 4/2021
 CN 306876348 * 10/2021

OTHER PUBLICATIONS

Cho [online] URL: <https://www.wayfair.com/outdoor/pdp/cho-54-qt-portable-refrigerator-cooler-dafy1018.html?piid=> (site visited: Dec. 13, 2021) (Year: 2021).*

* cited by examiner

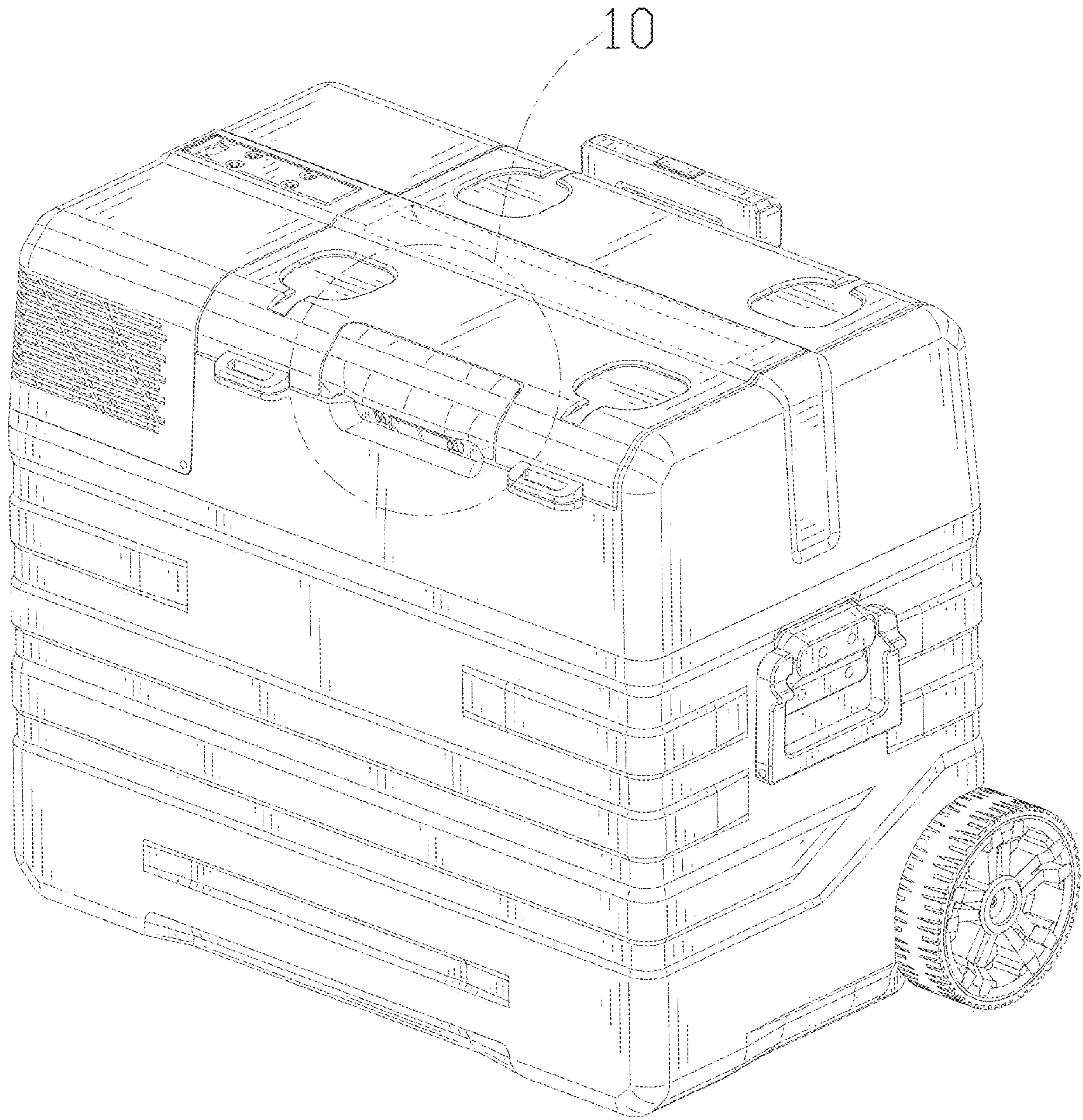


FIG. 1

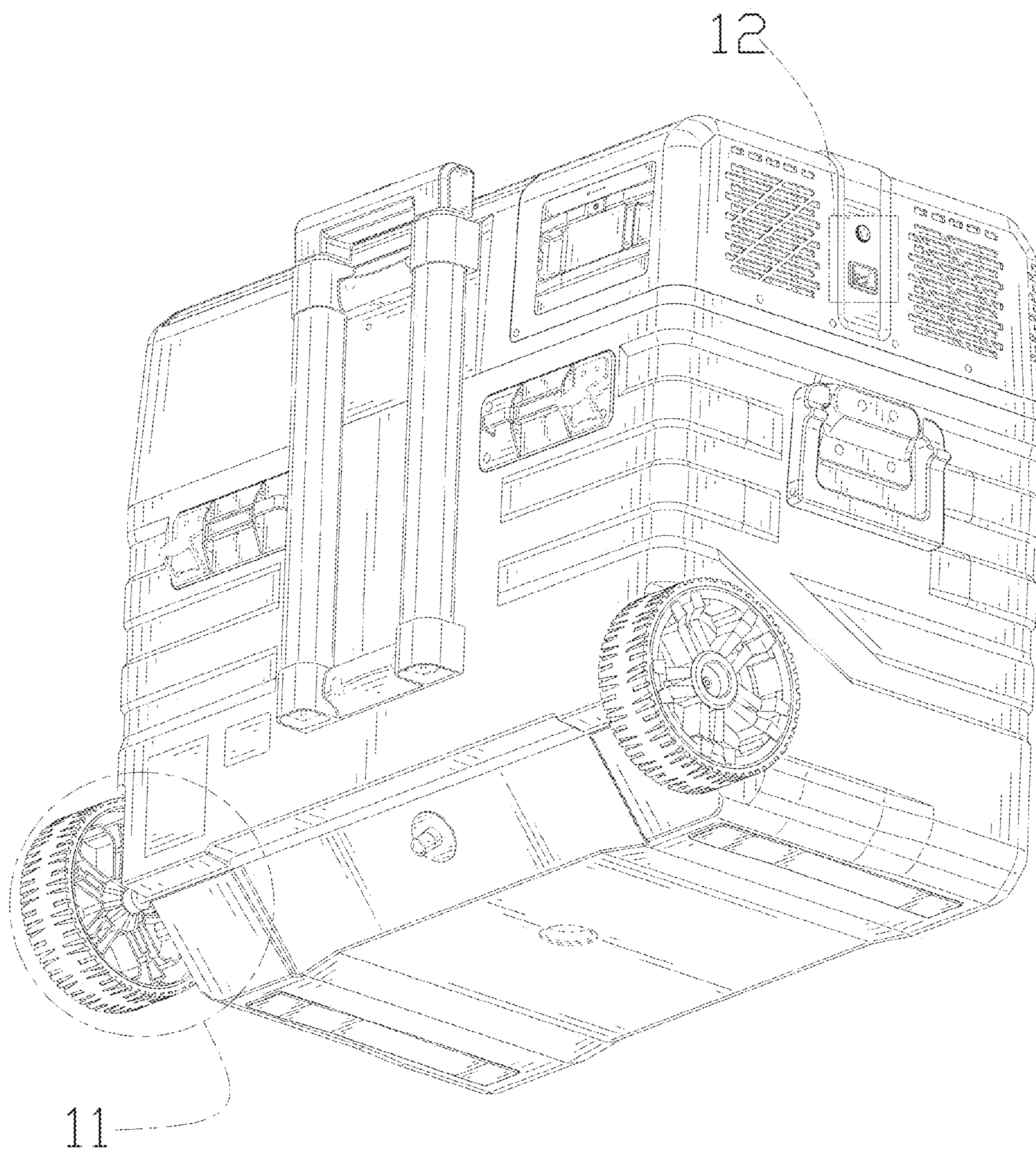


FIG. 2

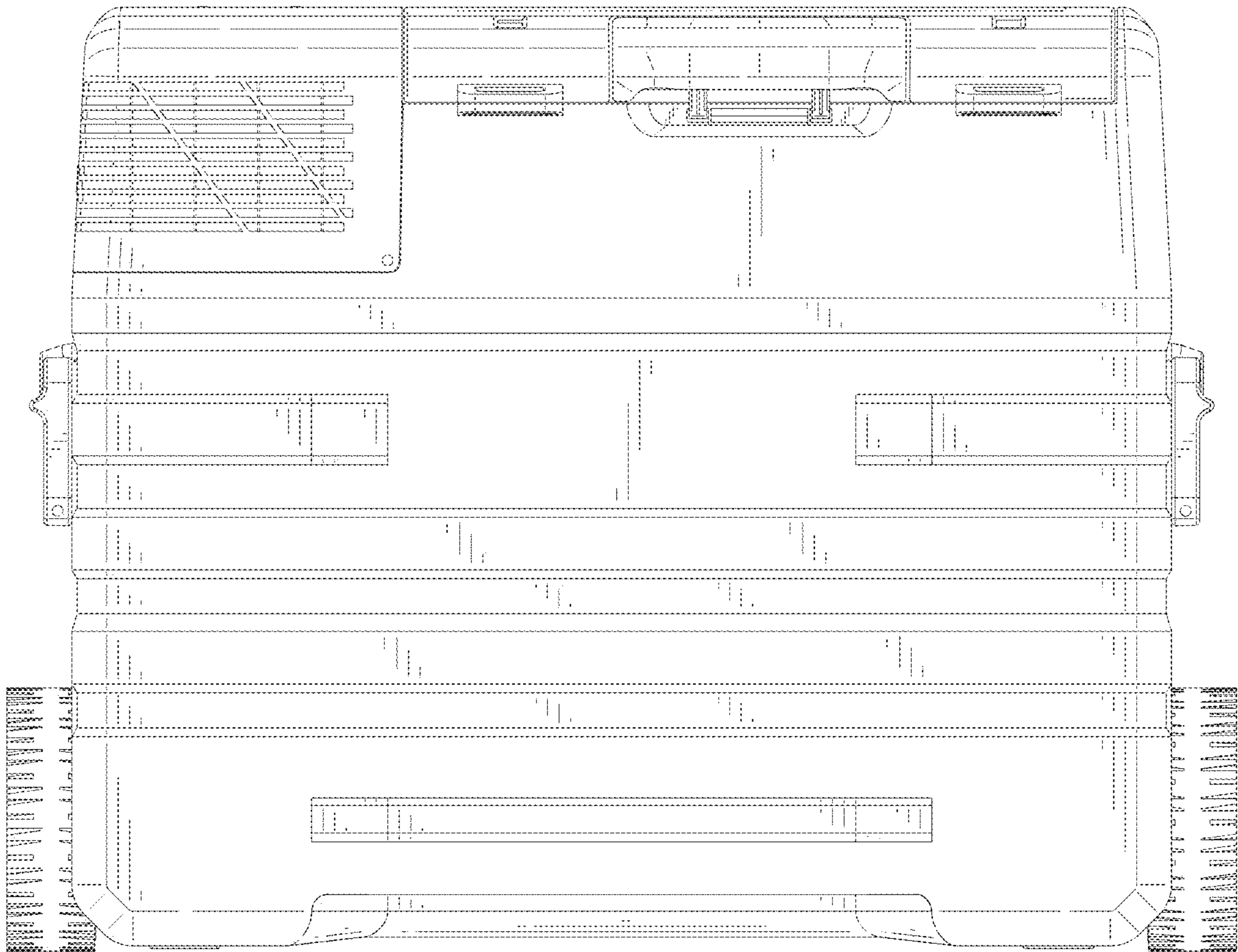


FIG. 3

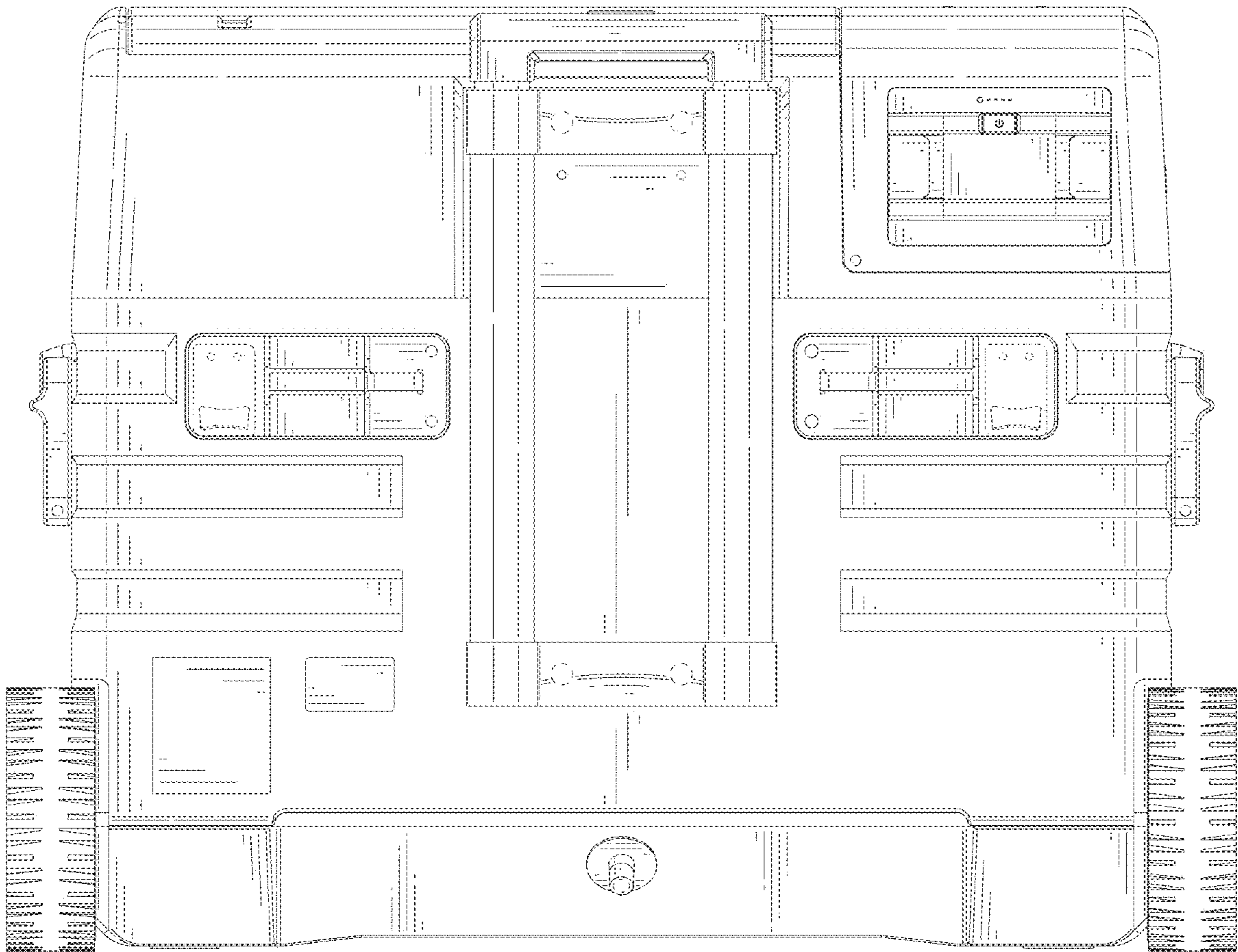


FIG. 4

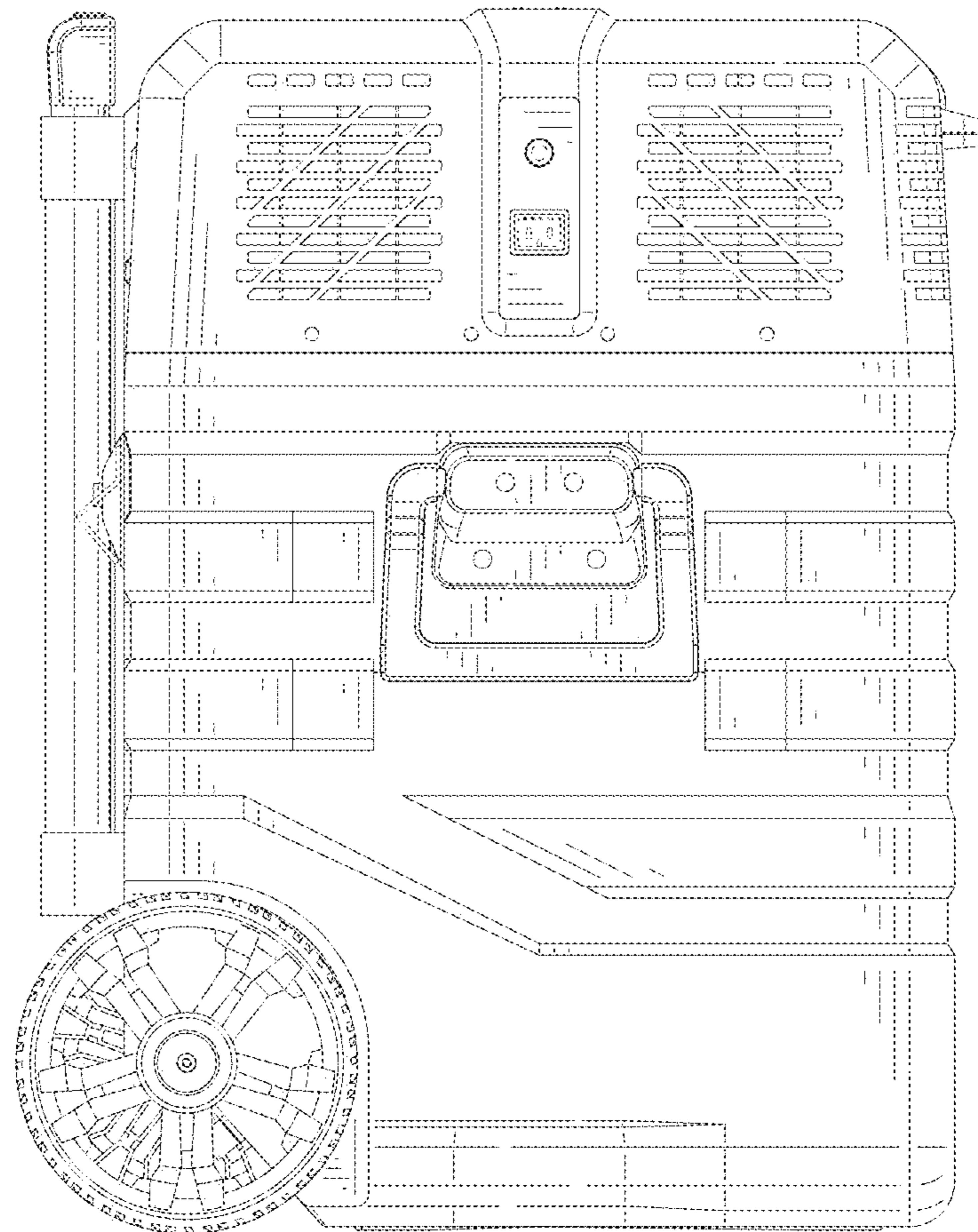


FIG. 5

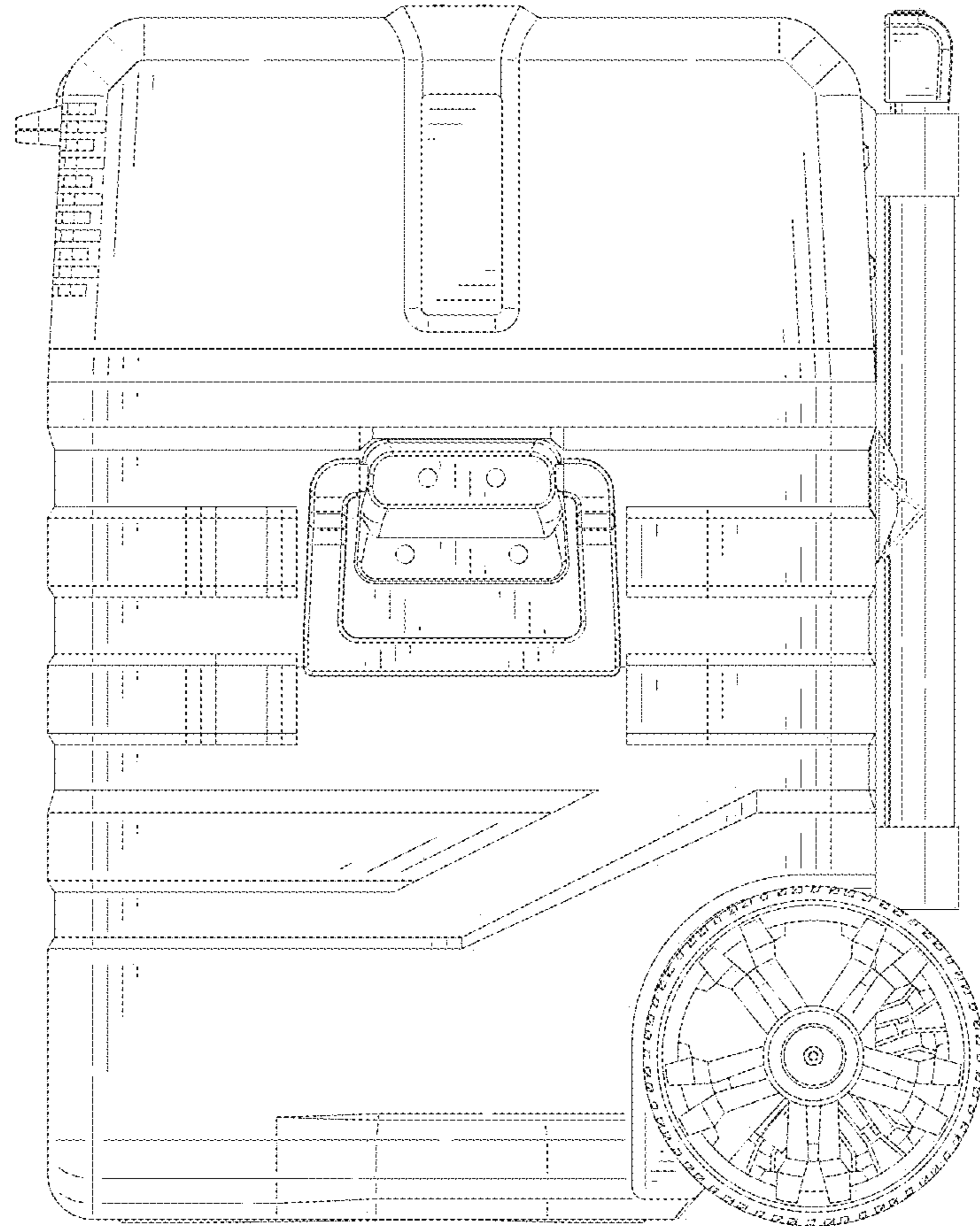


FIG. 6

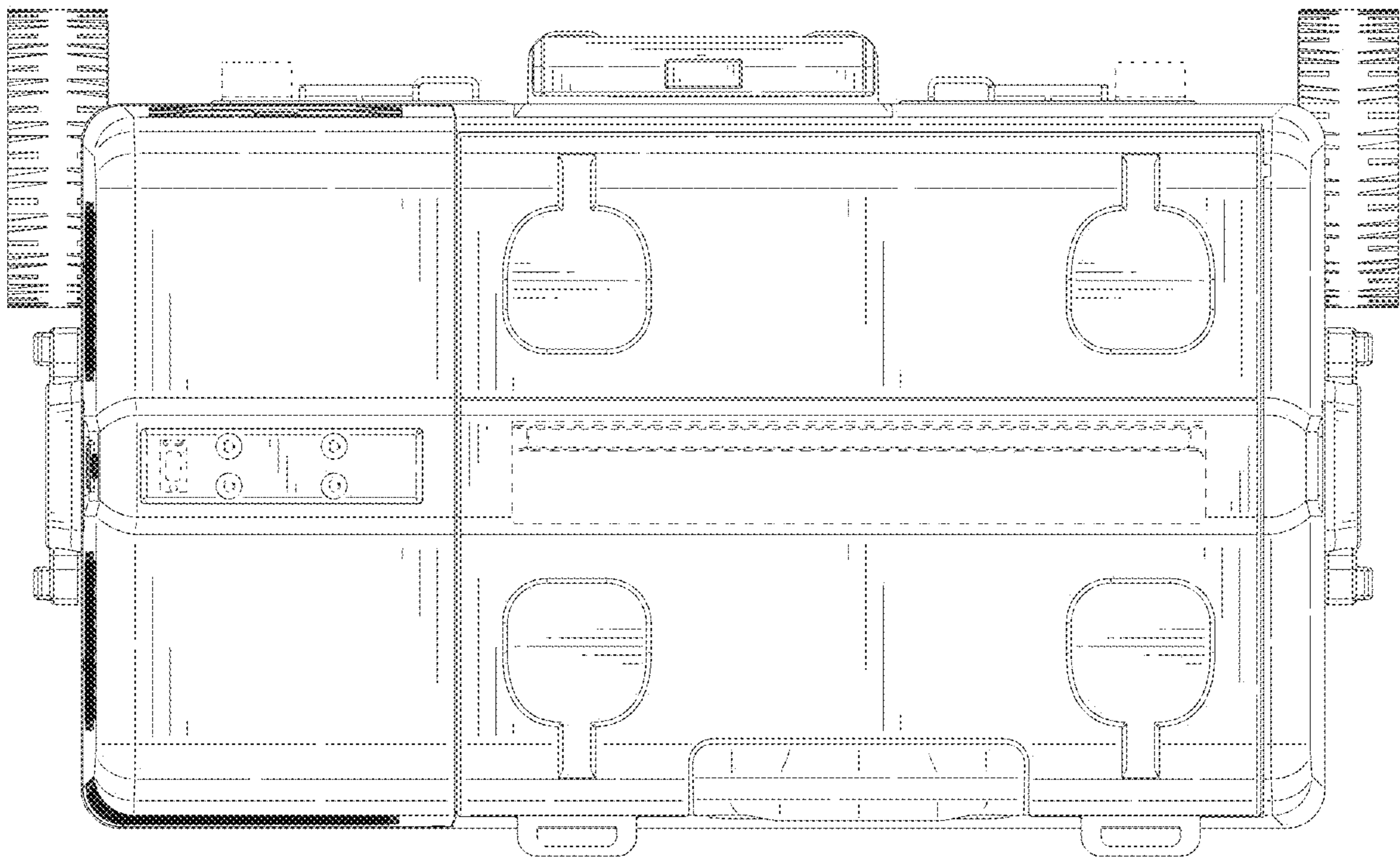


FIG. 7

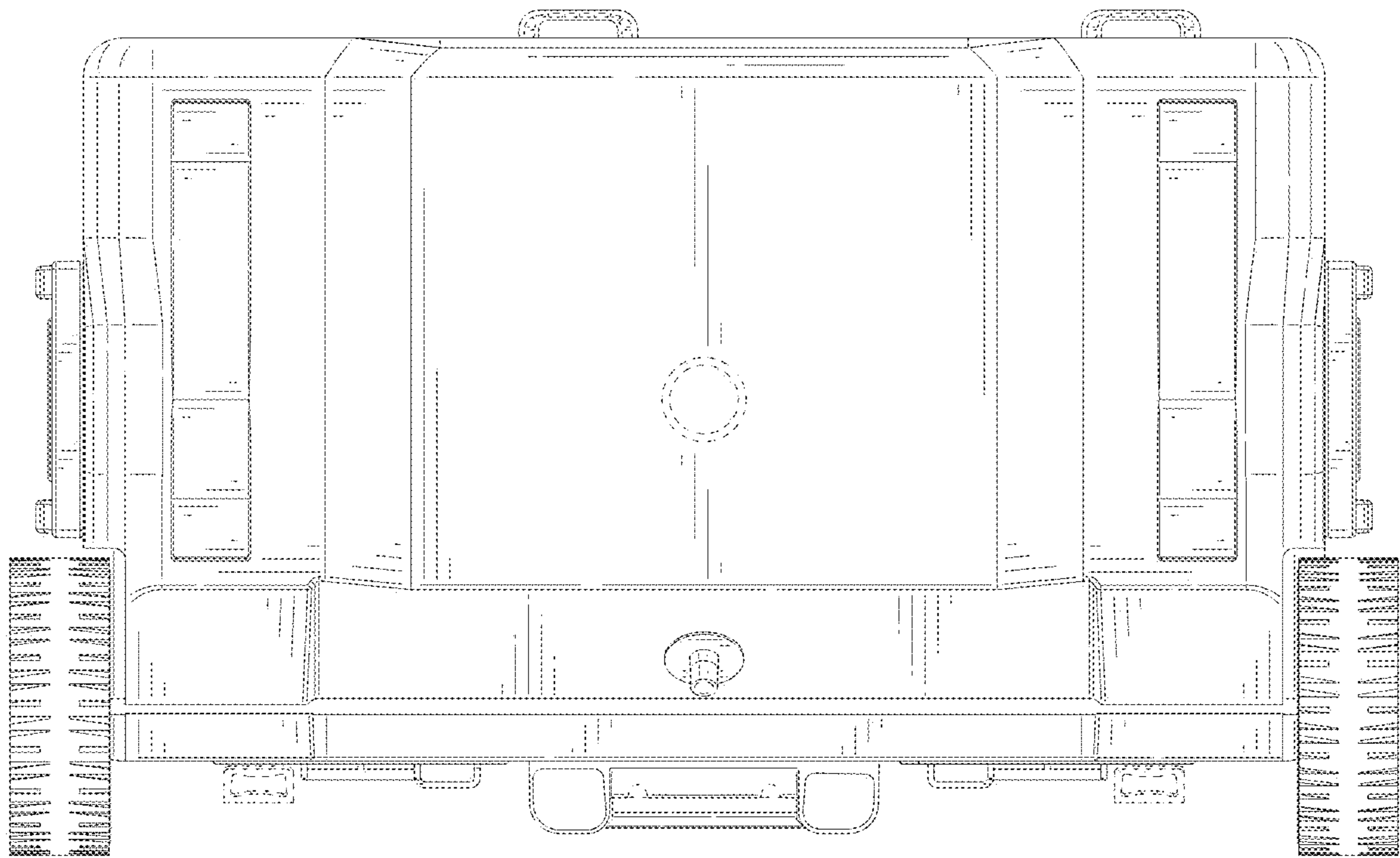


FIG. 8

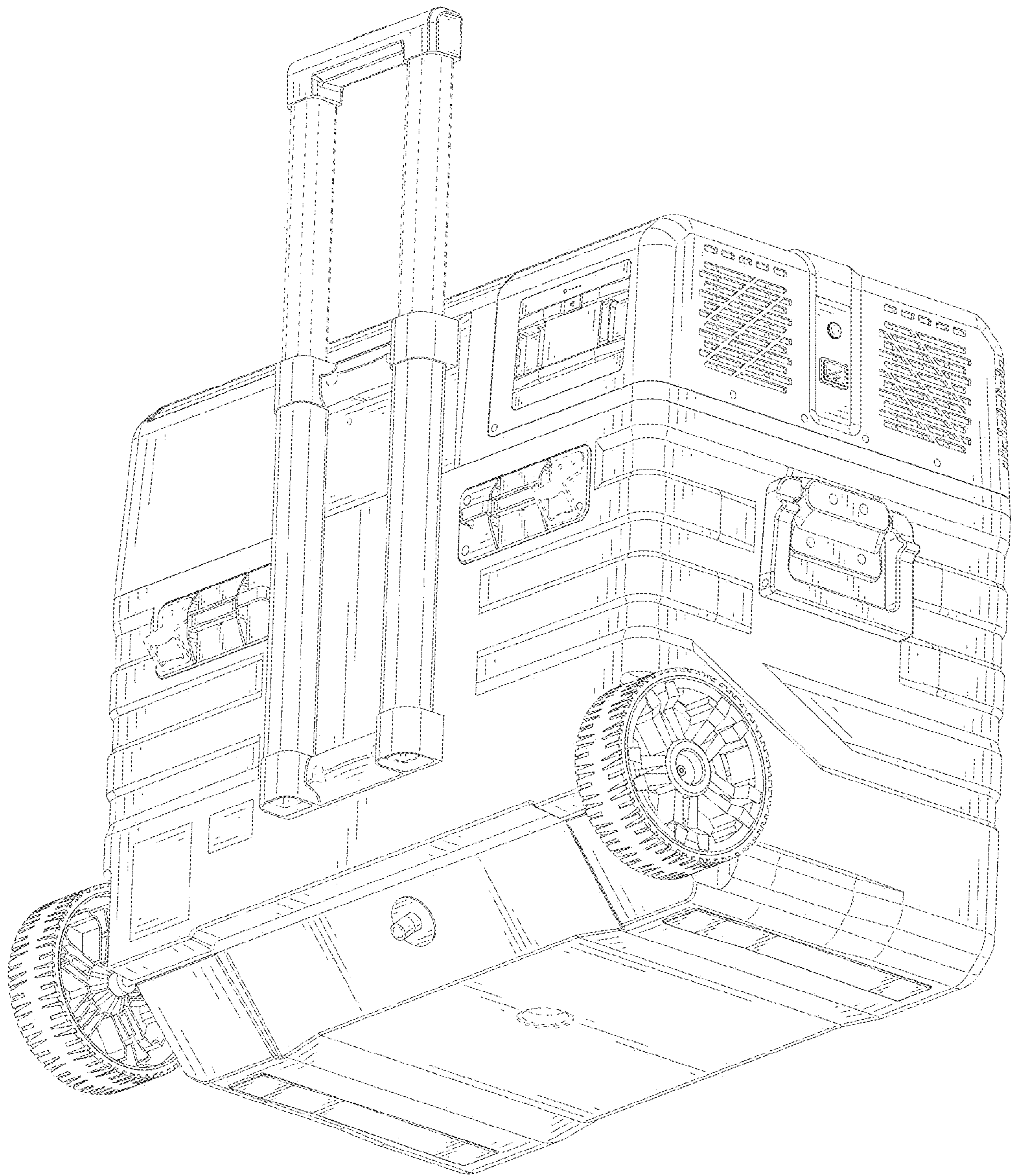


FIG. 9

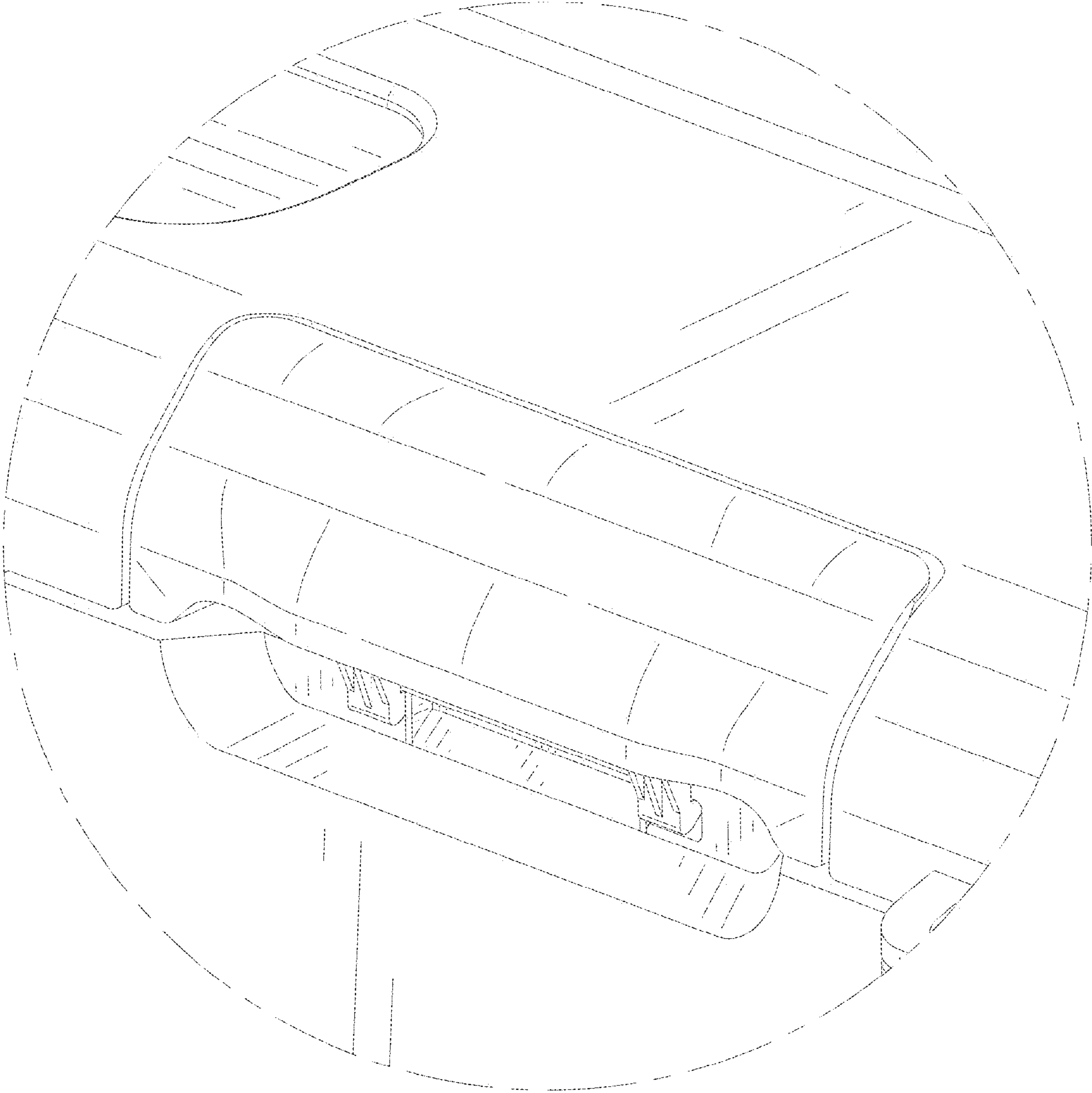


FIG. 10

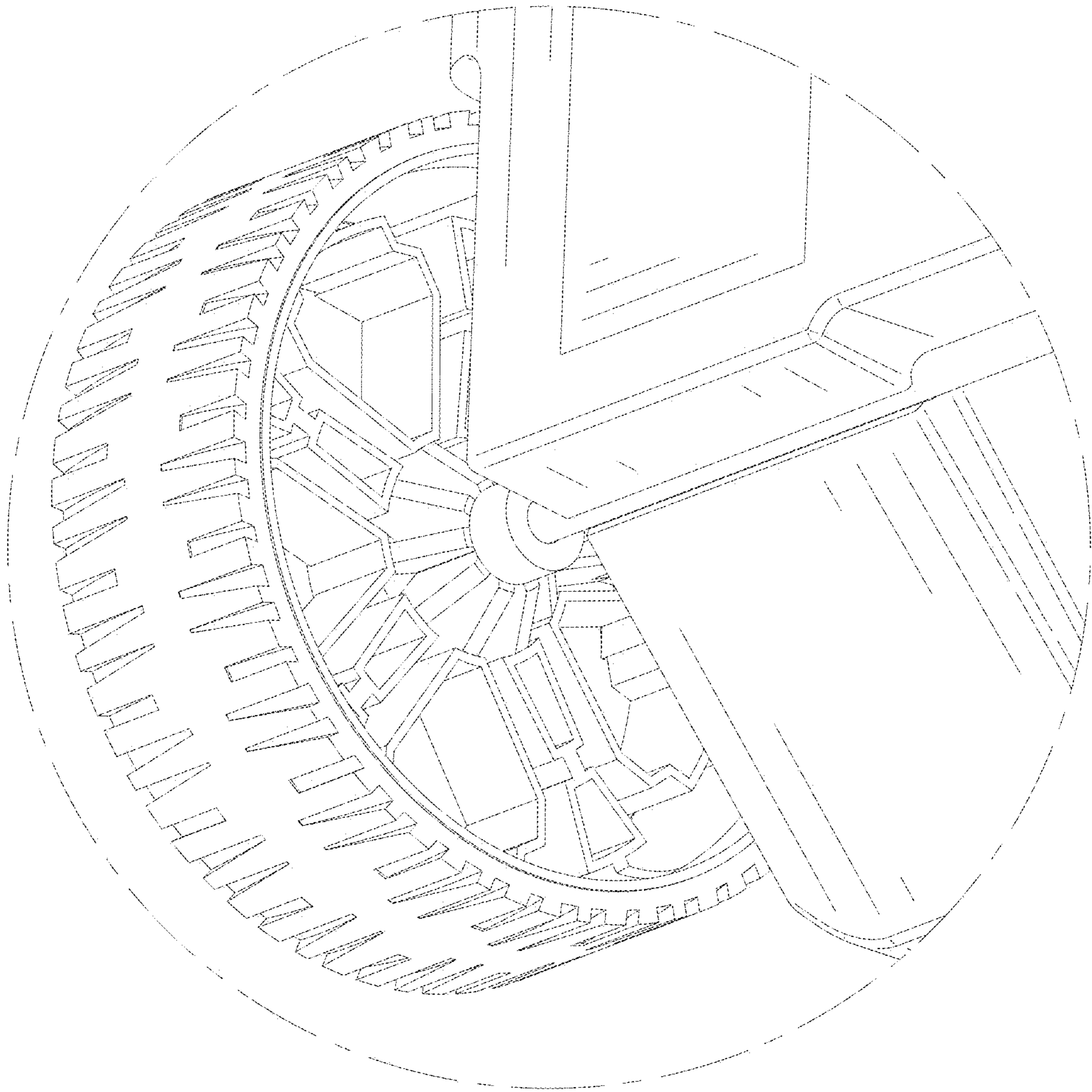


FIG. 11

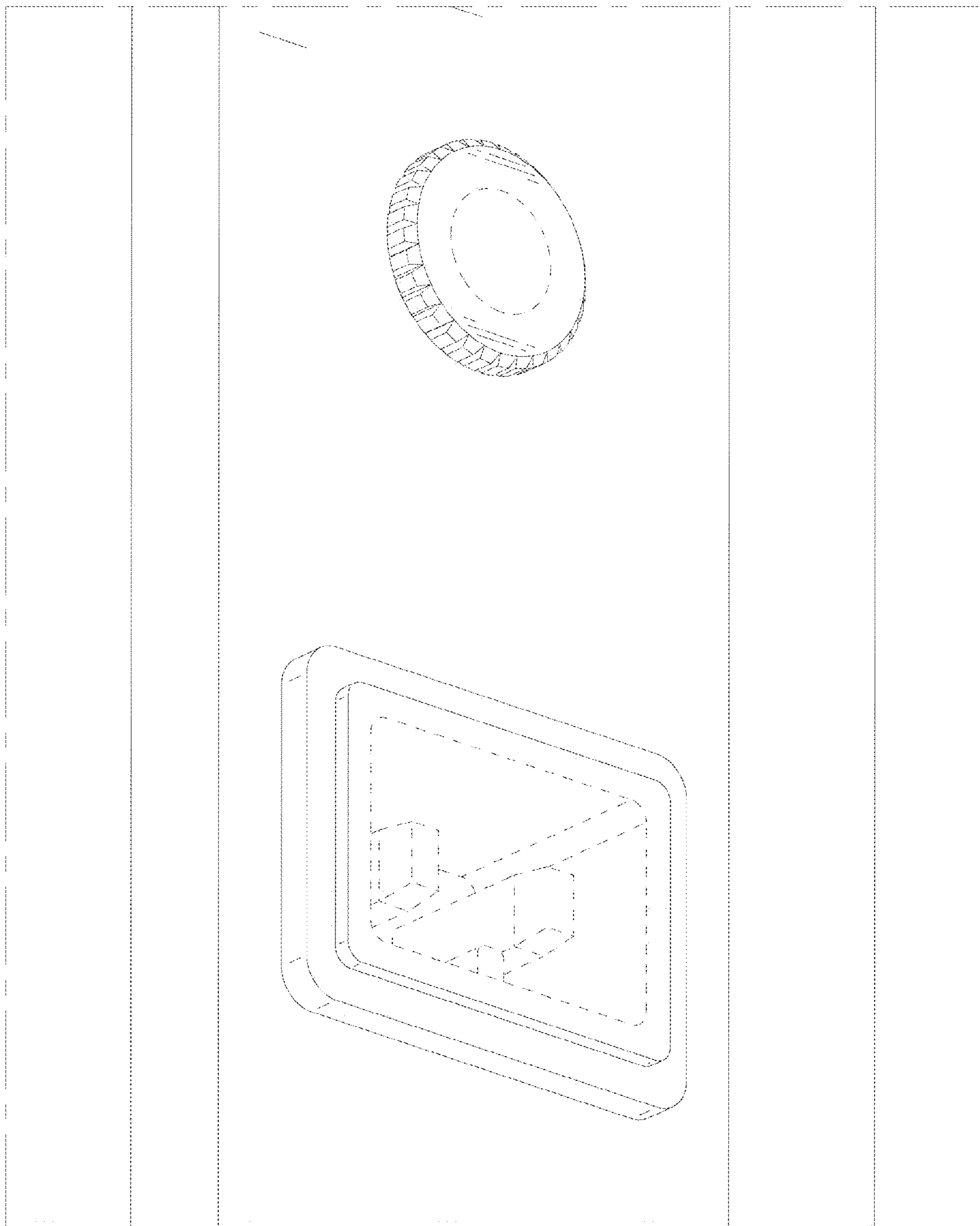


FIG. 12