



US00D958844S

(12) **United States Design Patent** (10) **Patent No.:** **US D958,844 S**  
**Fuina et al.** (45) **Date of Patent:** **\*\* Jul. 26, 2022**

(54) **PROFILE FOR MOWER**

(71) Applicant: **CANADIAN TIRE CORPORATION LIMITED**, Toronto (CA)

(72) Inventors: **Michael James Fuina**, Thornhill (CA); **William August Nickley**, Columbus, OH (US); **Ludwin Miguel Mora**, Columbus, OH (US); **Scott Michael Cline**, New Albany, OH (US); **Michael Joseph Painter**, Johnstown, OH (US)

(73) Assignee: **CANADIAN TIRE CORPORATION LIMITED**, Toronto (CA)

(\*\*) Term: **15 Years**

(21) Appl. No.: **29/755,184**

(22) Filed: **Oct. 19, 2020**

(51) **LOC (13) Cl.** ..... **15-03**

(52) **U.S. Cl.**  
USPC ..... **D15/14**

(58) **Field of Classification Search**  
USPC ..... D15/10, 14-18

(Continued)

(56) **References Cited**

U.S. PATENT DOCUMENTS

D344,960 S \* 3/1994 Patterson ..... D15/17  
D352,043 S \* 11/1994 Davies, III ..... D15/17

(Continued)

*Primary Examiner* — Mark A Goodwin

(74) *Attorney, Agent, or Firm* — Norton Rose Fulbright Canada LLP

(57) **CLAIM**

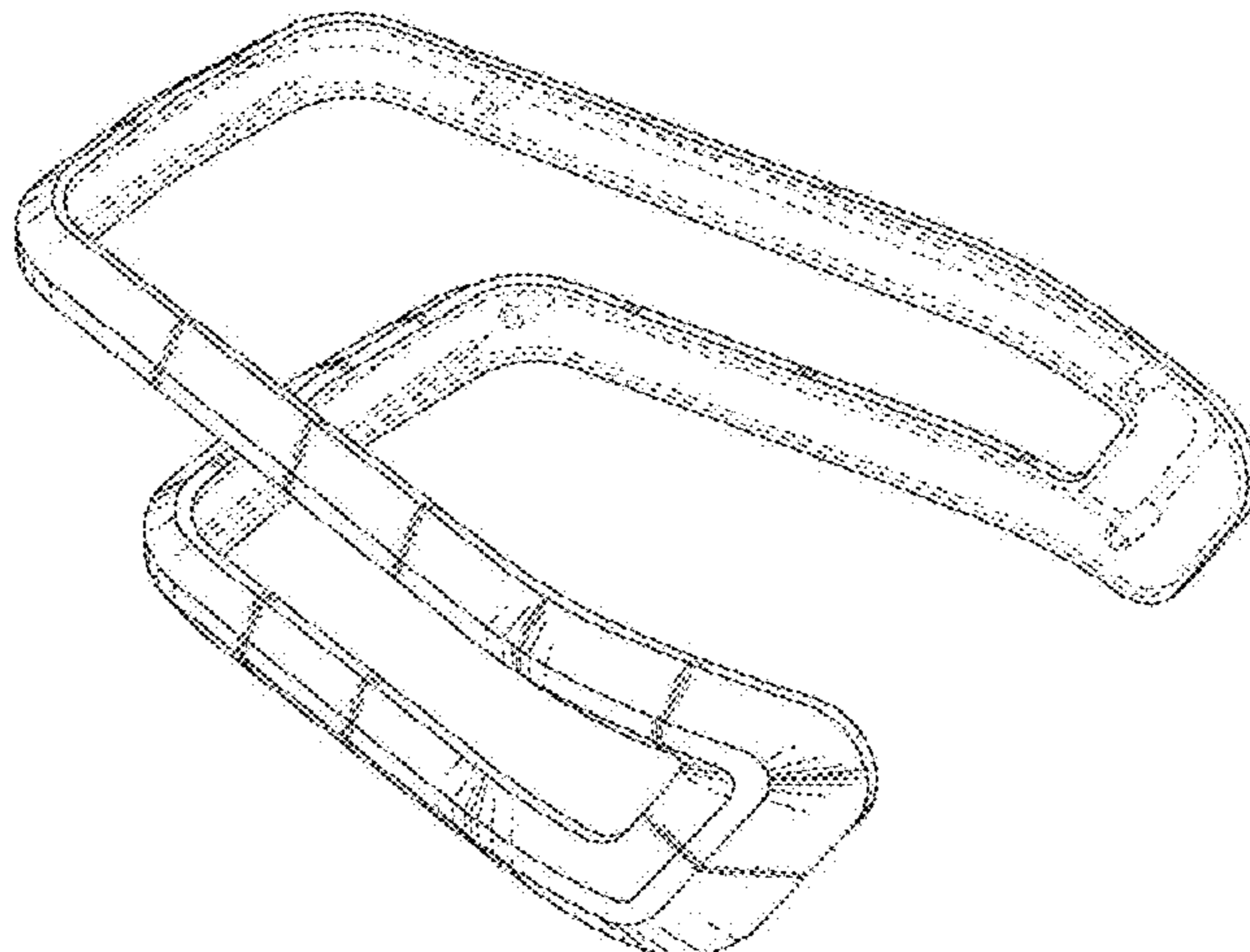
The ornamental design for profile for mower, as shown and described.

**DESCRIPTION**

FIG. 1 is left side perspective view of a profile for mower showing our new design.

FIG. 2 is a front view of the profile for mower.  
FIG. 3 is back view of the profile for mower.  
FIG. 4 is left side view of the profile for mower.  
FIG. 5 is right side view of the profile for mower.  
FIG. 6 is top view of the profile for mower.  
FIG. 7 is bottom view of the profile for mower.  
FIG. 8 is a right side view of the profile for mower shown in environment.  
FIG. 9 is a left side perspective view of the profile for mower in a second embodiment.  
FIG. 10 is a front view of the profile for mower in a second embodiment.  
FIG. 11 is a back view of the profile for mower in a second embodiment.  
FIG. 12 is a left side view of the profile for mower in a second embodiment.  
FIG. 13 is a right side view of the profile for mower in a second embodiment.  
FIG. 14 is a top view of the profile for mower in a second embodiment.  
FIG. 15 is a bottom view of the profile for mower in a second embodiment.  
FIG. 16 is a left side view of the profile for mower in a second embodiment shown in environment.  
FIG. 17 is a right side perspective view of the profile for mower in a third embodiment.  
FIG. 18 is a back view of the profile for mower in a third embodiment.  
FIG. 19 is a front view of the profile for mower in a third embodiment.  
FIG. 20 is a left side view of the profile for mower in a third embodiment.  
FIG. 21 is a right side view of the profile for mower in a third embodiment.  
FIG. 22 is a top view of the profile for mower in a third embodiment.  
FIG. 23 is a bottom view of the profile for mower in a third embodiment; and,  
FIG. 24 is a right side view of the profile for mower in a third embodiment shown in environment.  
The broken line portions are included to show environmental unclaimed subject matter only and form no part of the claimed design.

**1 Claim, 17 Drawing Sheets**



(58) **Field of Classification Search**

CPC .... A01D 42/04; A01D 42/00; A01D 2101/00;  
A01D 34/63; A01D 43/063

See application file for complete search history.

(56) **References Cited**

U.S. PATENT DOCUMENTS

D681,688	S	*	5/2013	Higashikawa	.....	D15/15
D693,852	S	*	11/2013	Brazier	.....	D15/17
D715,329	S	*	10/2014	Higashikawa	.....	D15/15
D723,068	S	*	2/2015	Qiu	.....	D15/14
D748,676	S	*	2/2016	Higashikawa	.....	D15/15
D784,420	S	*	4/2017	Zhang	.....	D15/14
D785,048	S	*	4/2017	Zhang	.....	D15/14
D792,478	S	*	7/2017	Sasaki	.....	D15/28
D793,455	S	*	8/2017	Atterbury	.....	D15/15
D833,486	S	*	11/2018	Dretzka	.....	D15/17
D834,071	S	*	11/2018	Näslund et al.	.....	D15/14
D834,072	S	*	11/2018	Näslund et al.	.....	D15/14
D862,525	S	*	10/2019	Lau	.....	D15/14
D884,747	S	*	5/2020	Hyakusawa	.....	D15/17
D907,666	S	*	1/2021	Dai	.....	D15/14
2022/0074489	A1	*	3/2022	Zhang	.....	F16H 57/082

\* cited by examiner

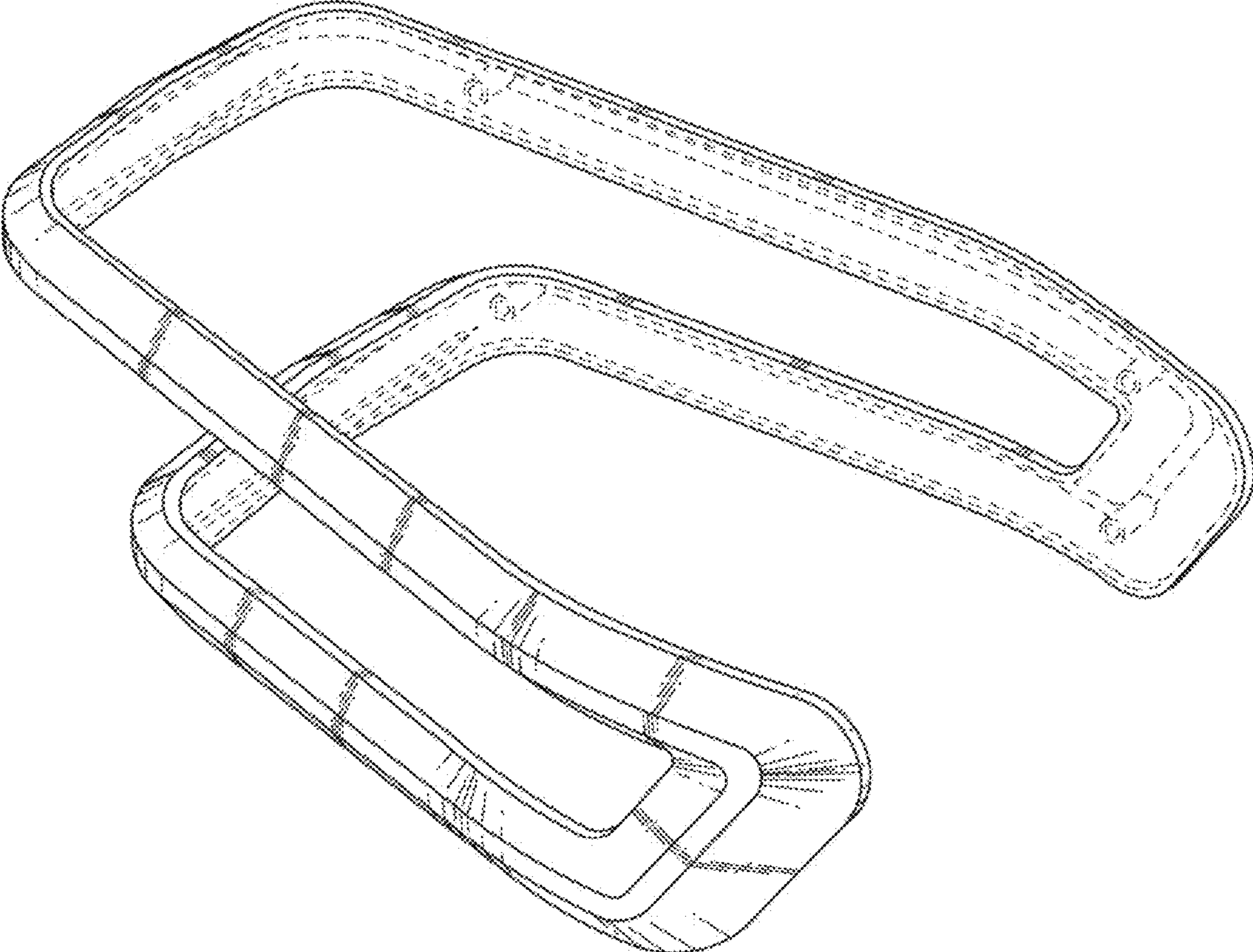


FIG. 1

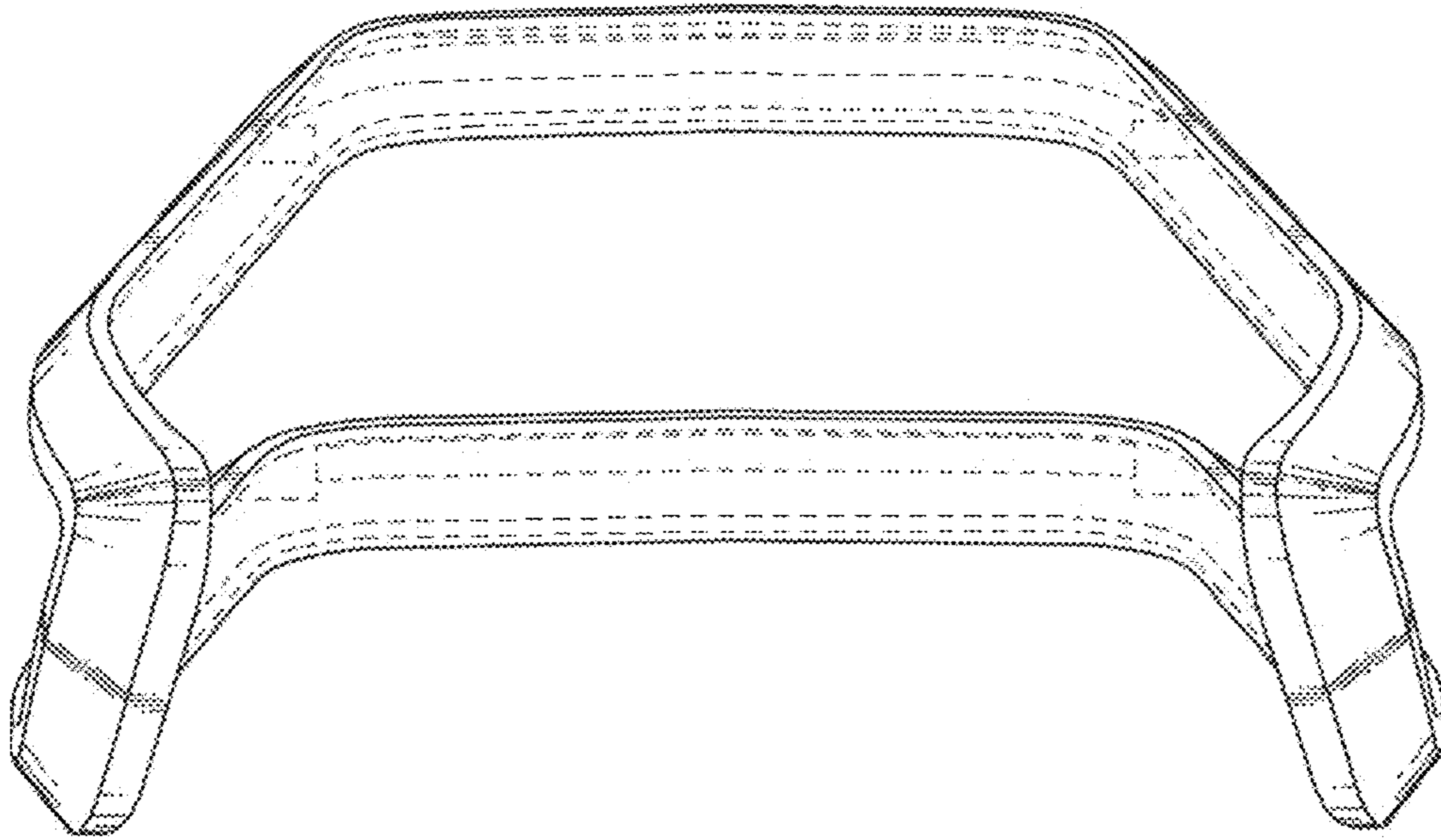


FIG. 2

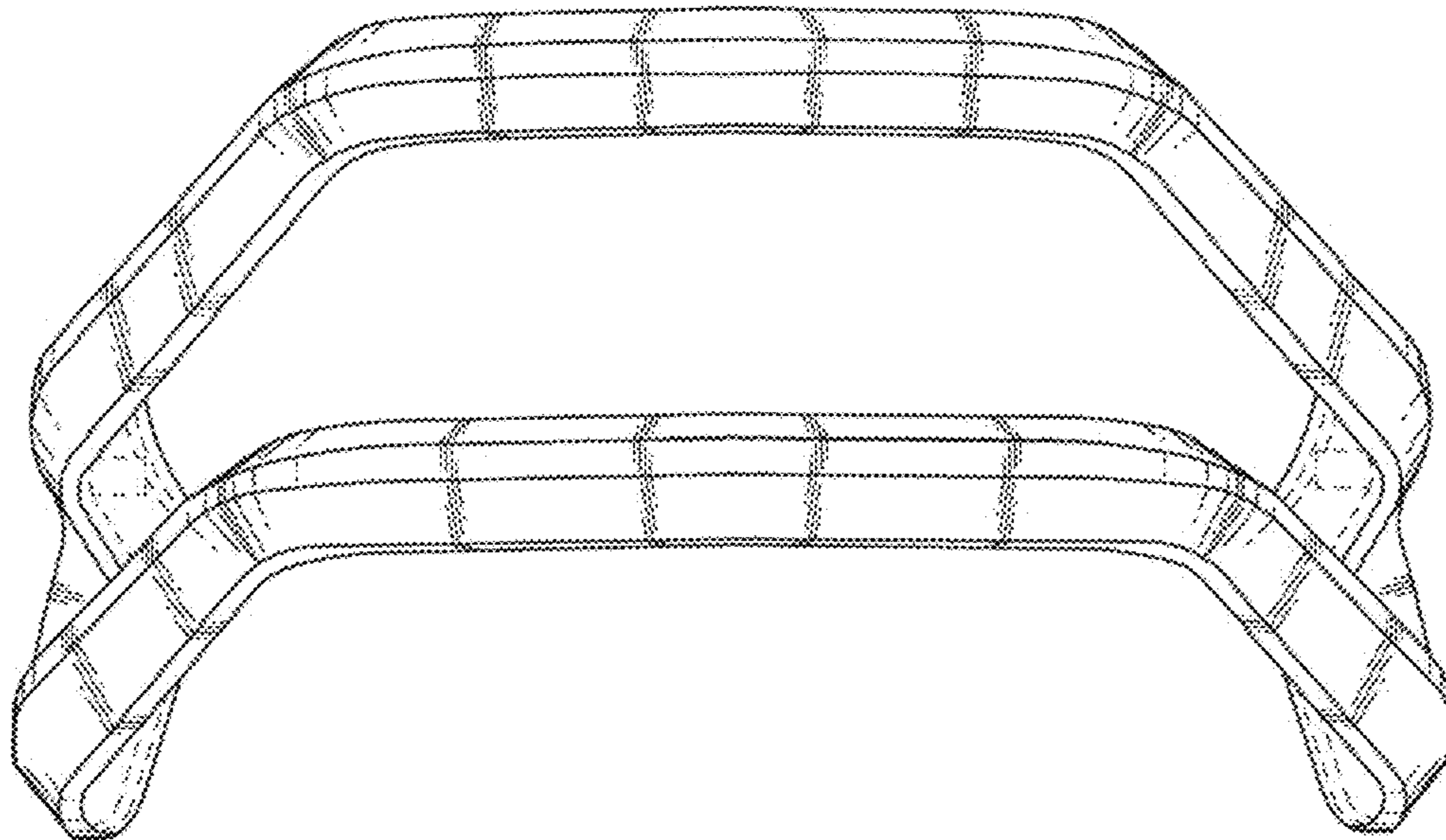


FIG. 3

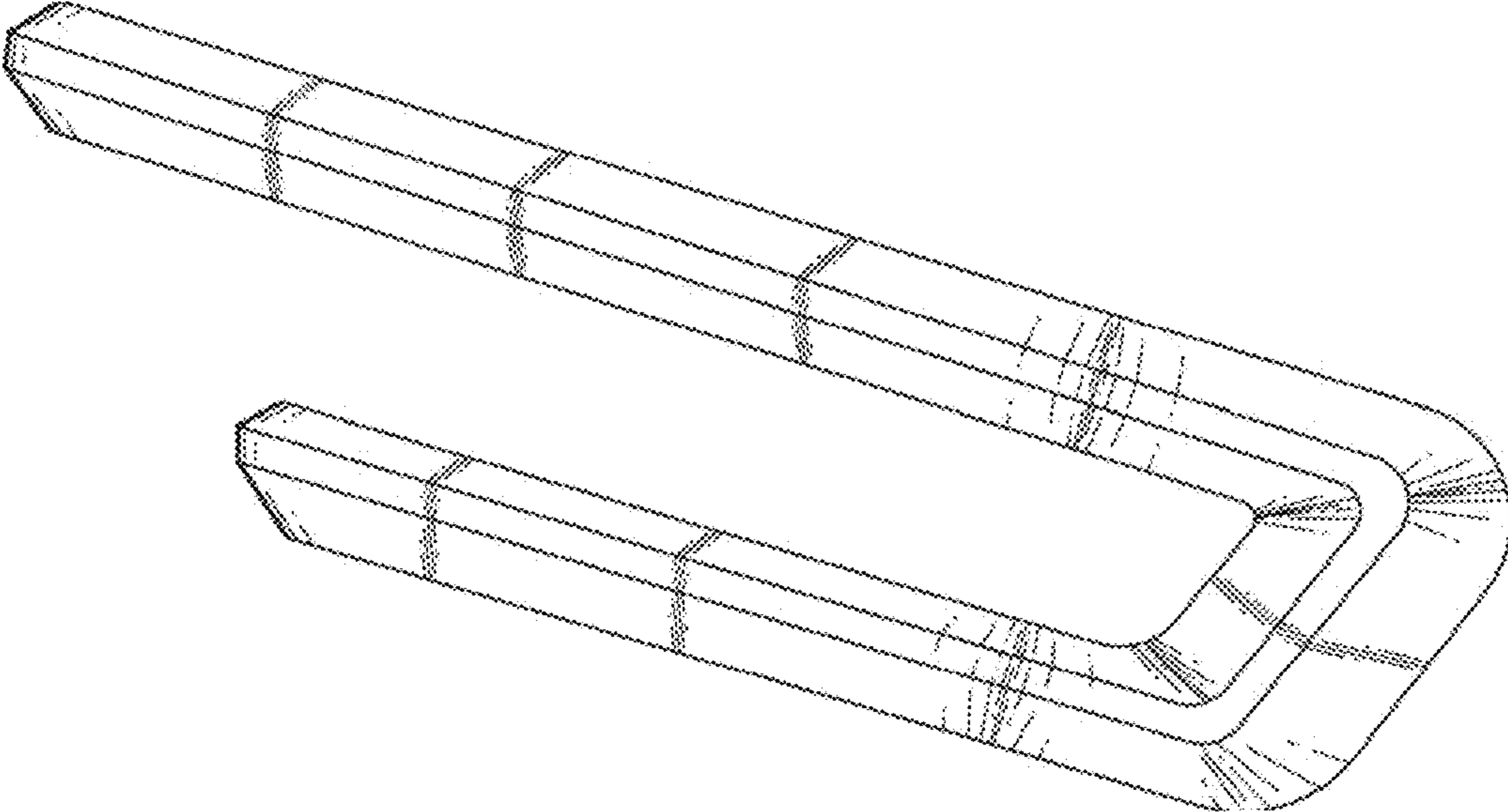


FIG. 4

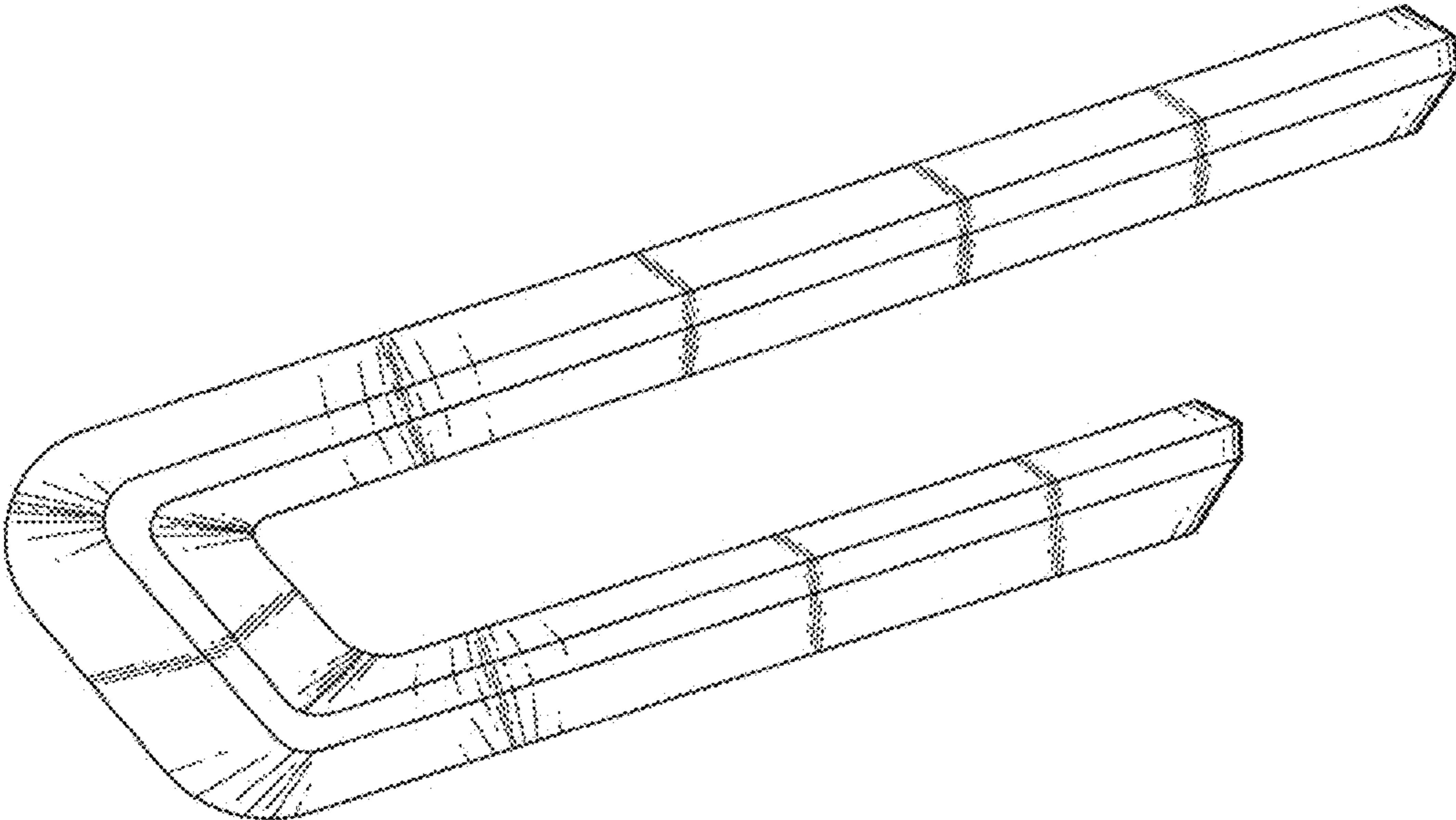


FIG. 5

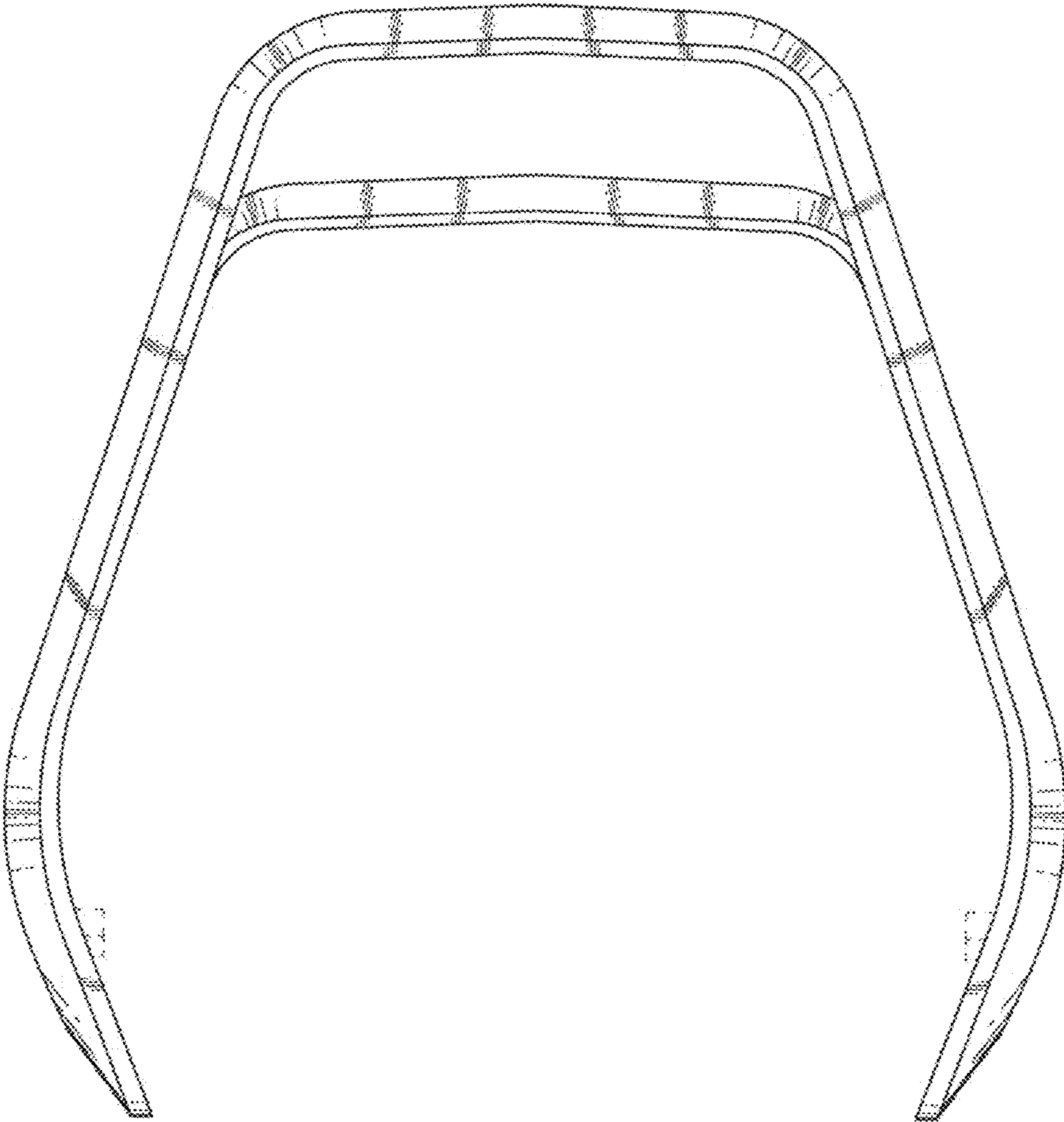


FIG. 6

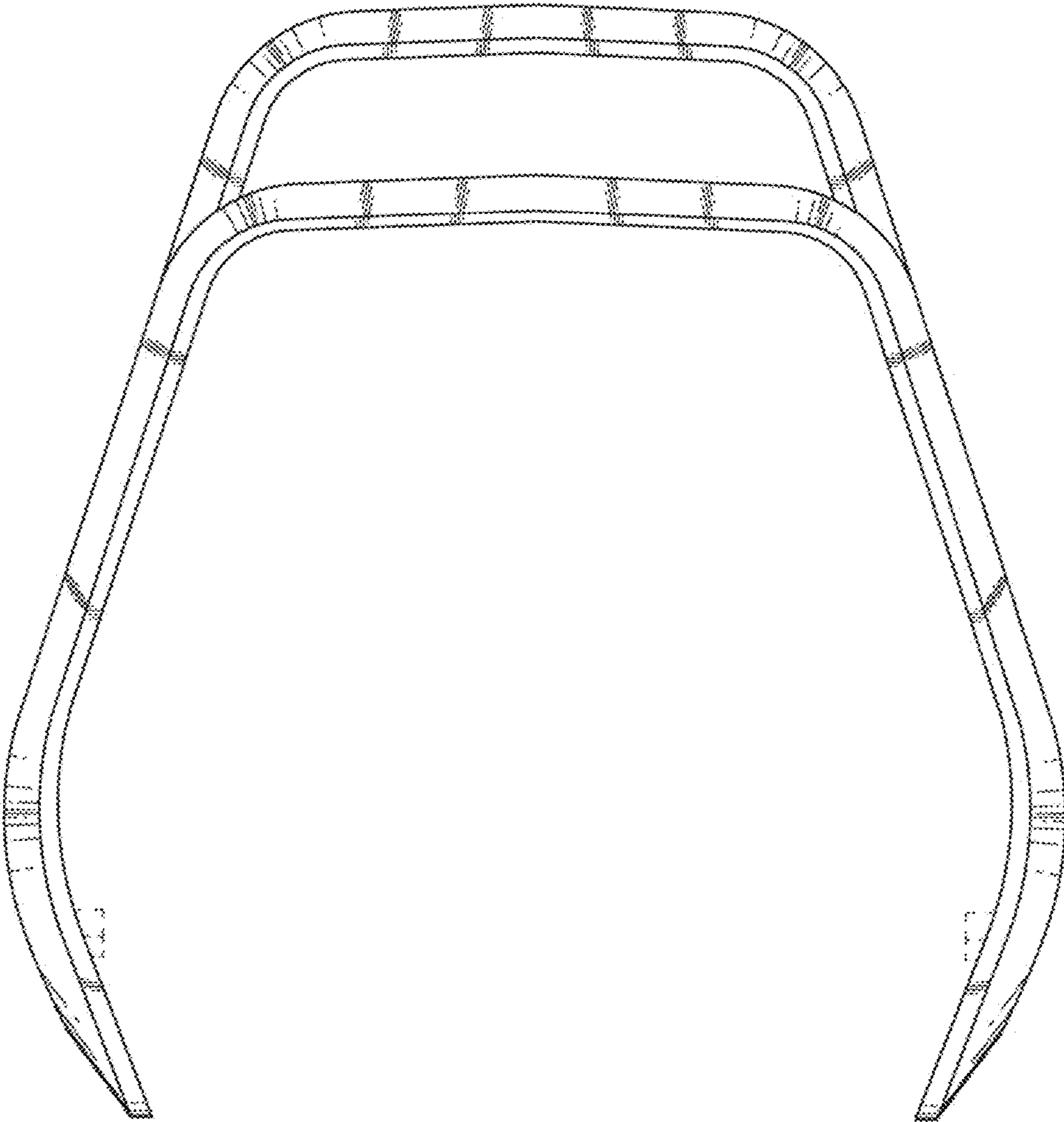


FIG. 7

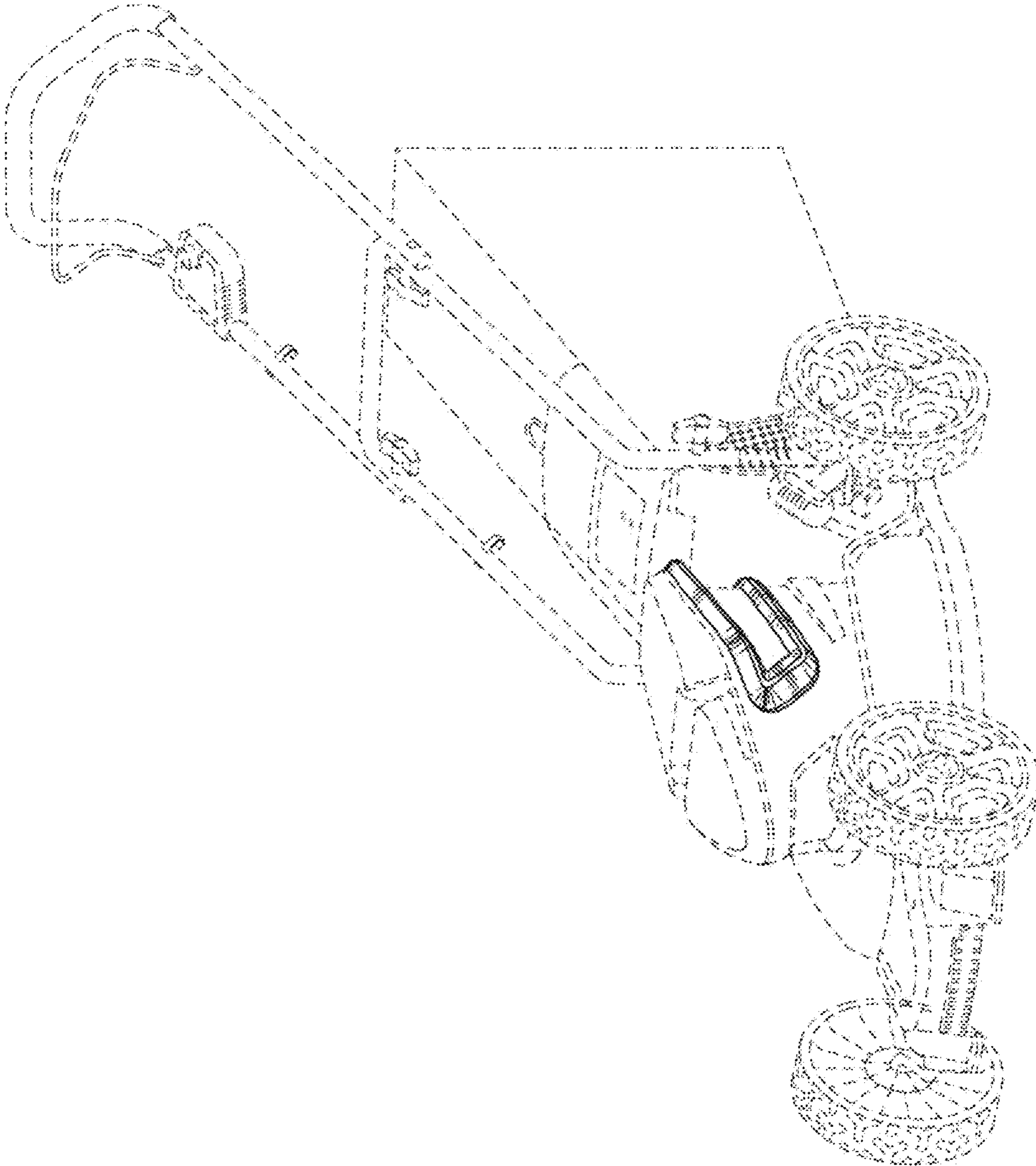


FIG. 8



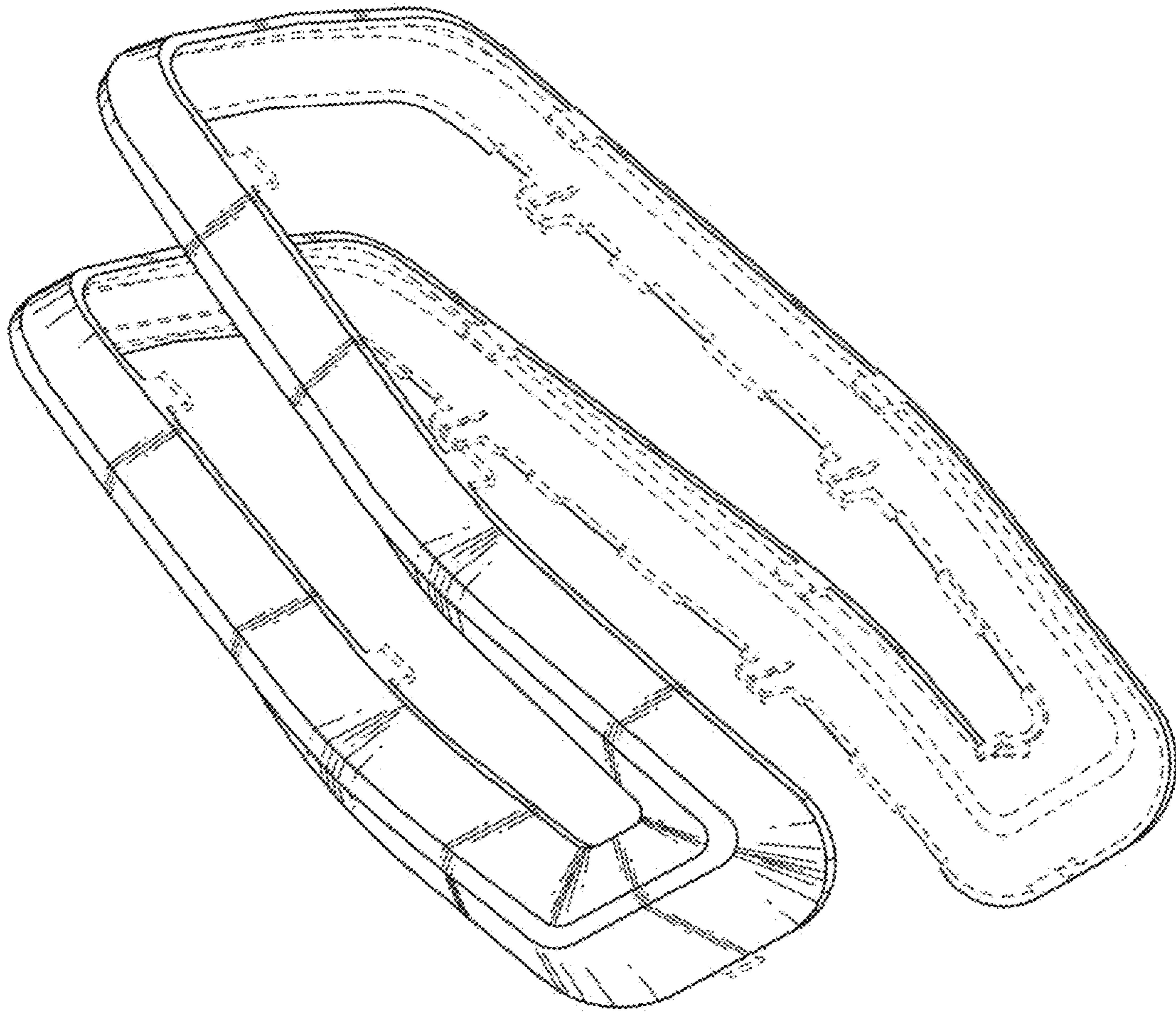


FIG. 9

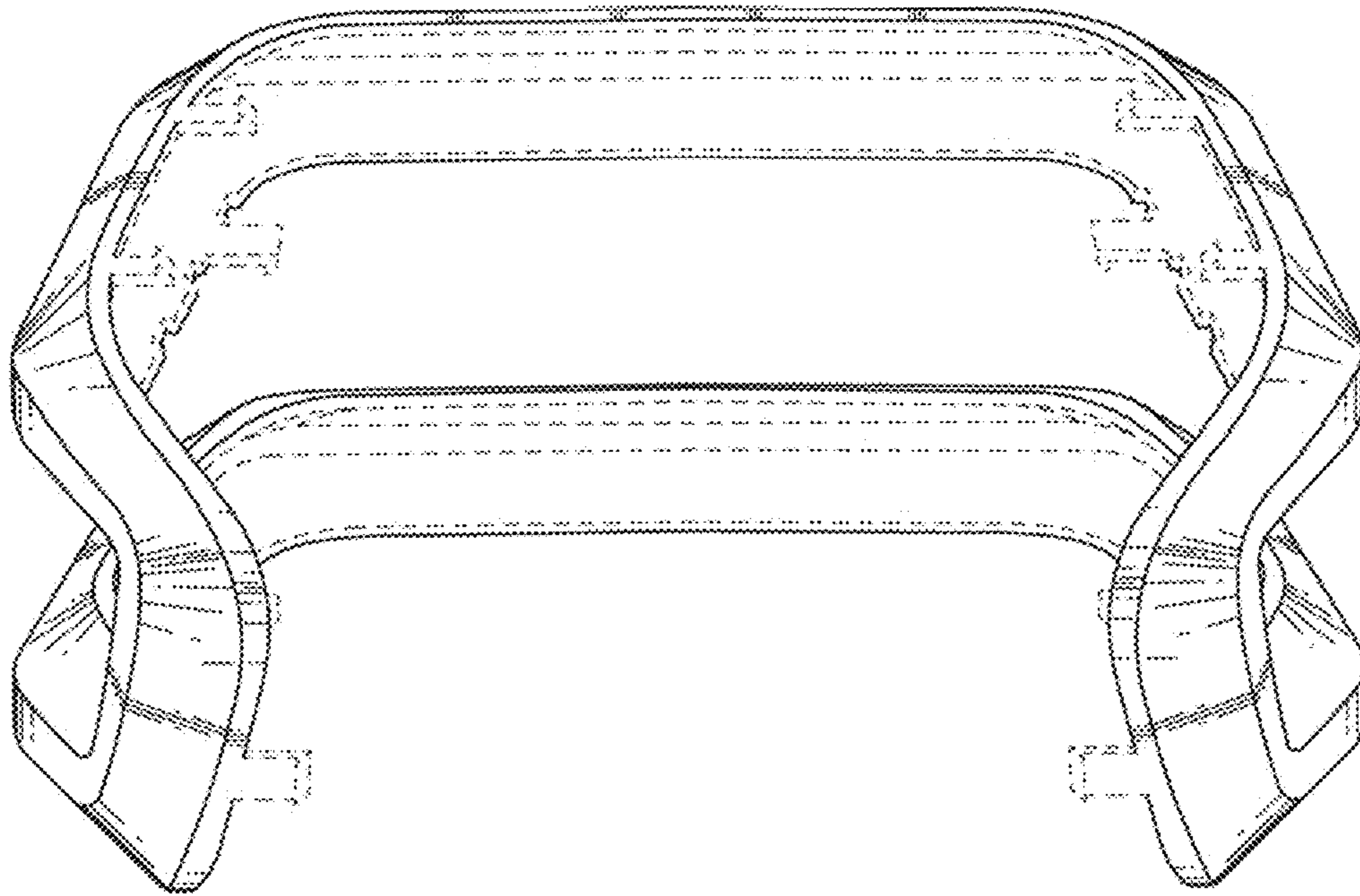


FIG. 10

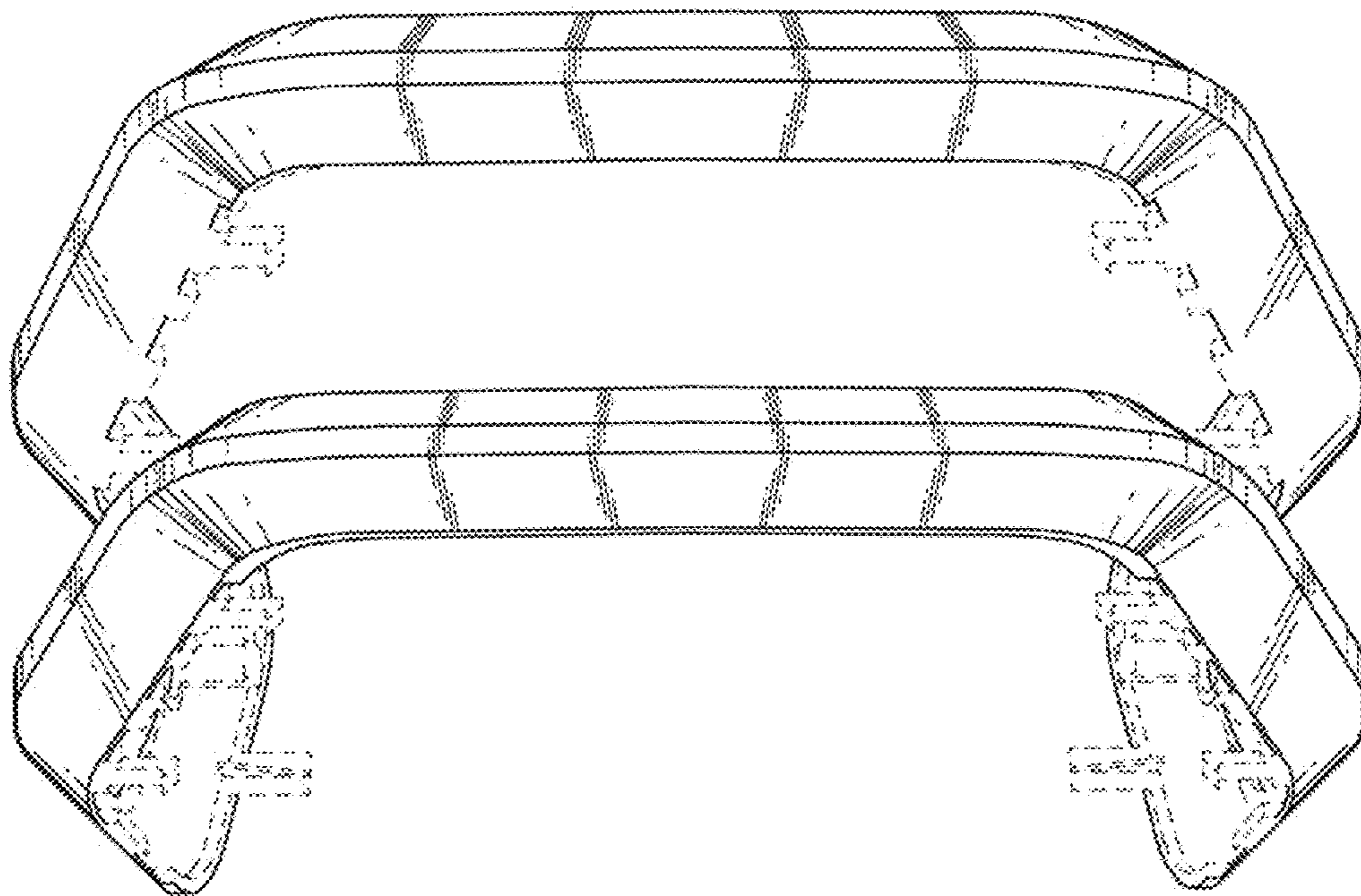


FIG. 11

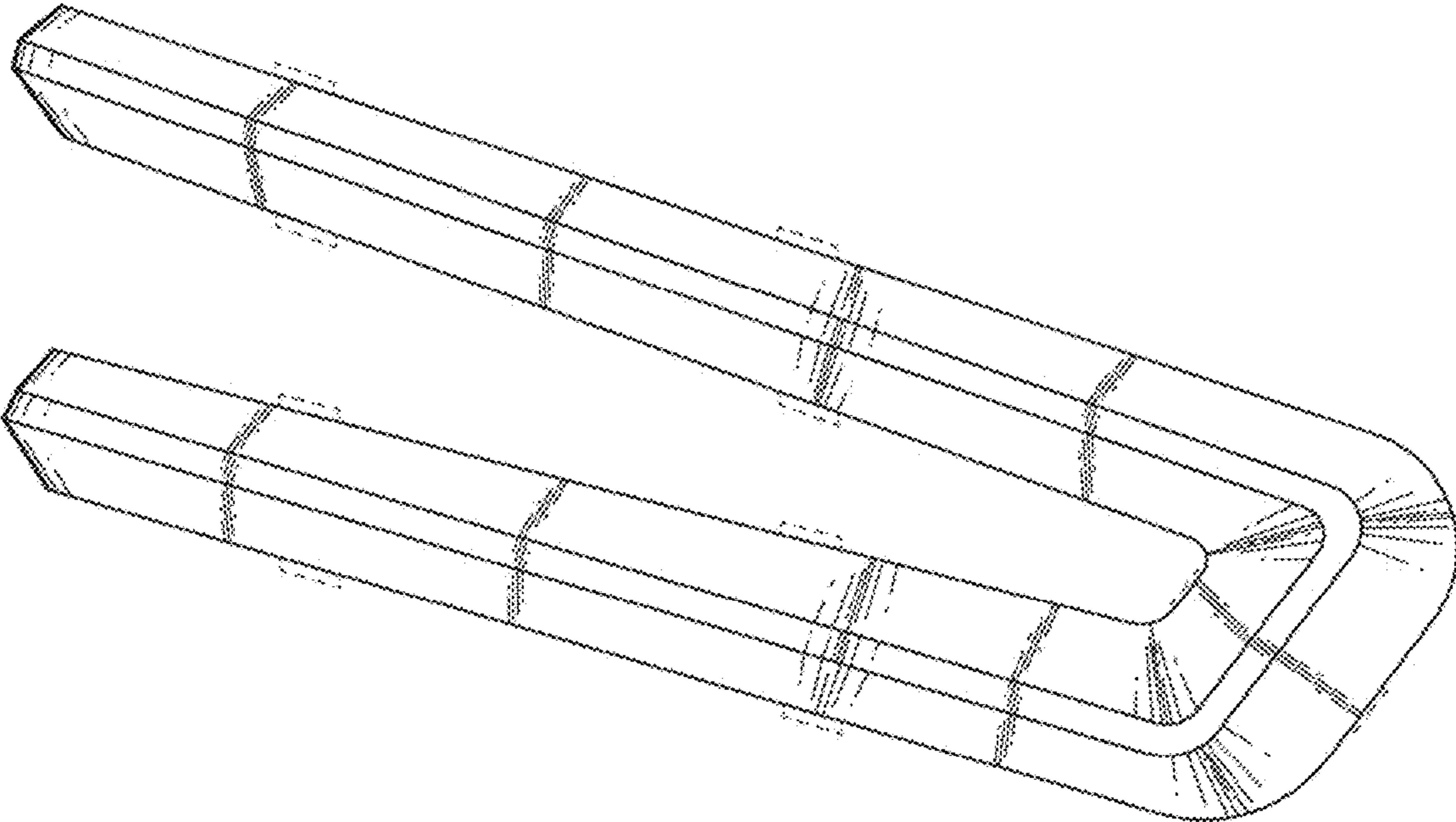


FIG. 12

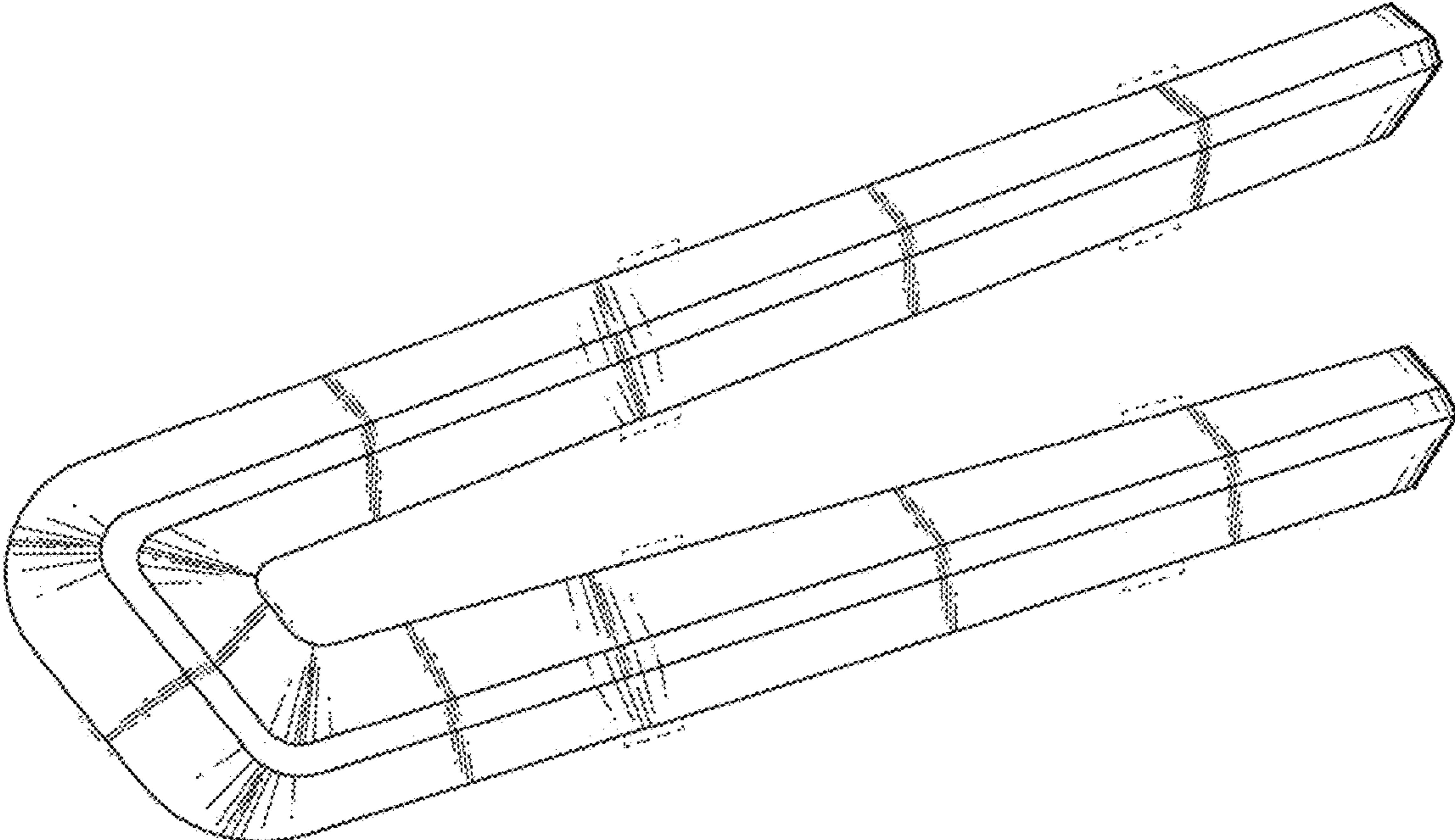


FIG. 13

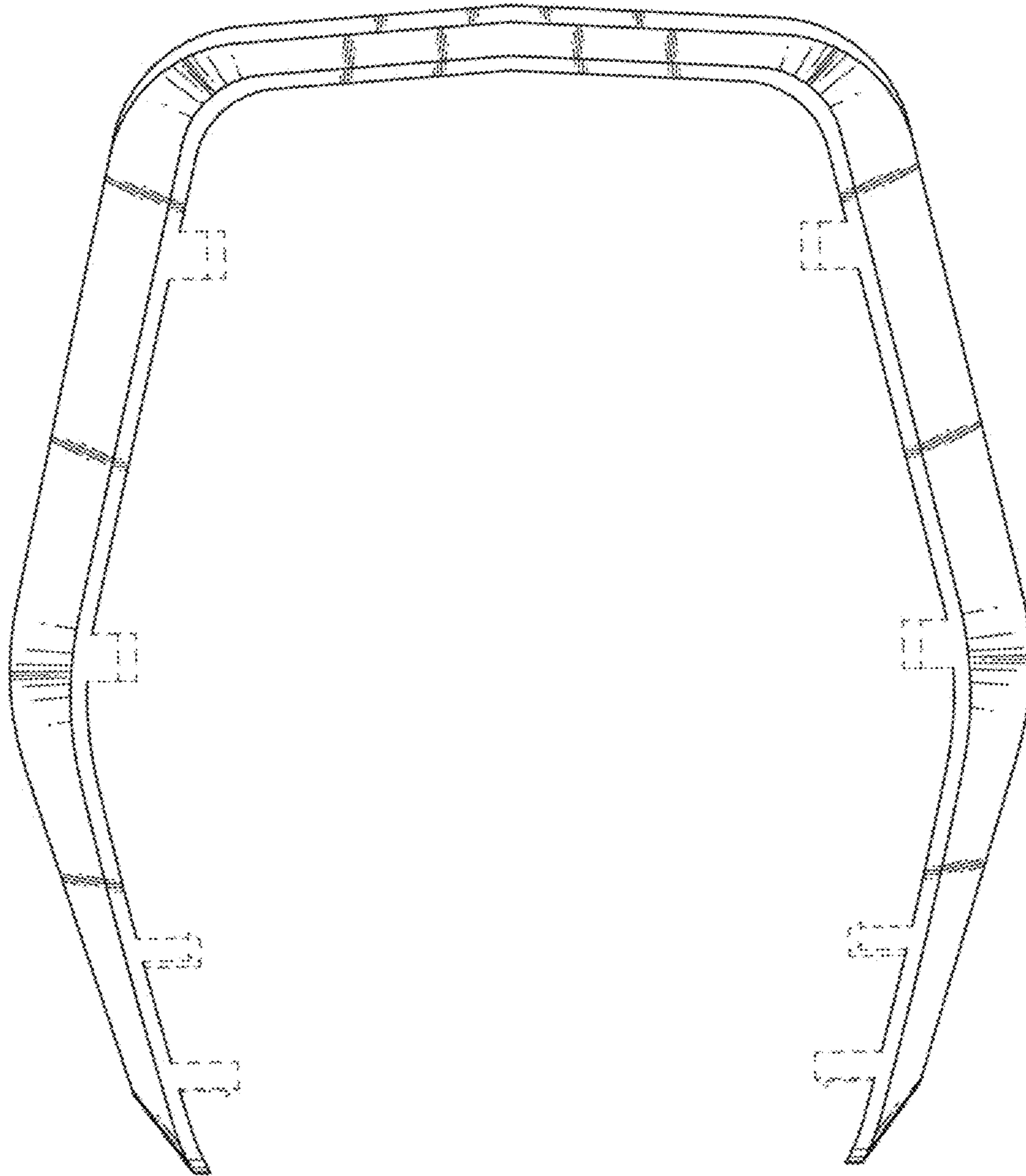


FIG. 14

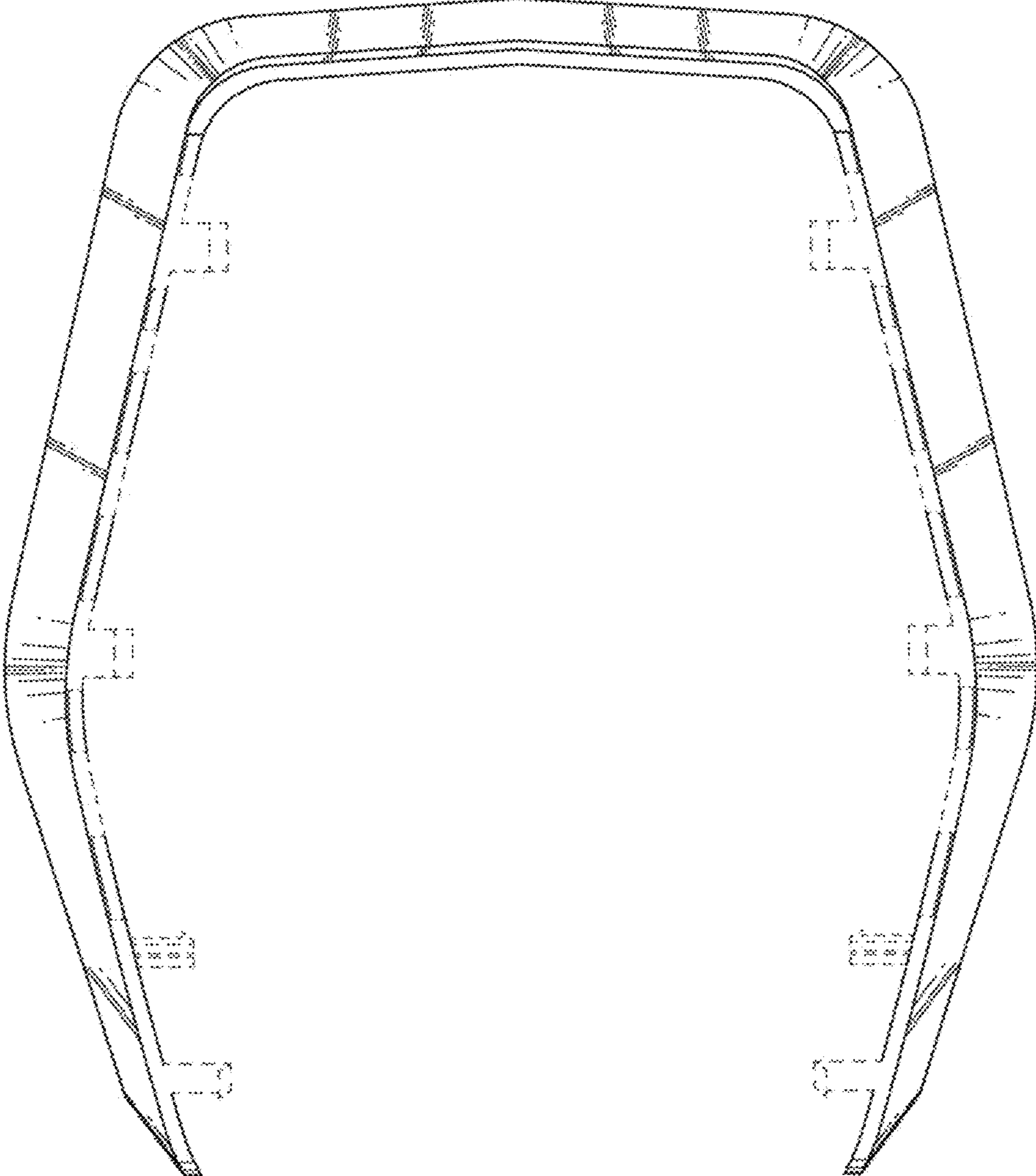


FIG. 15

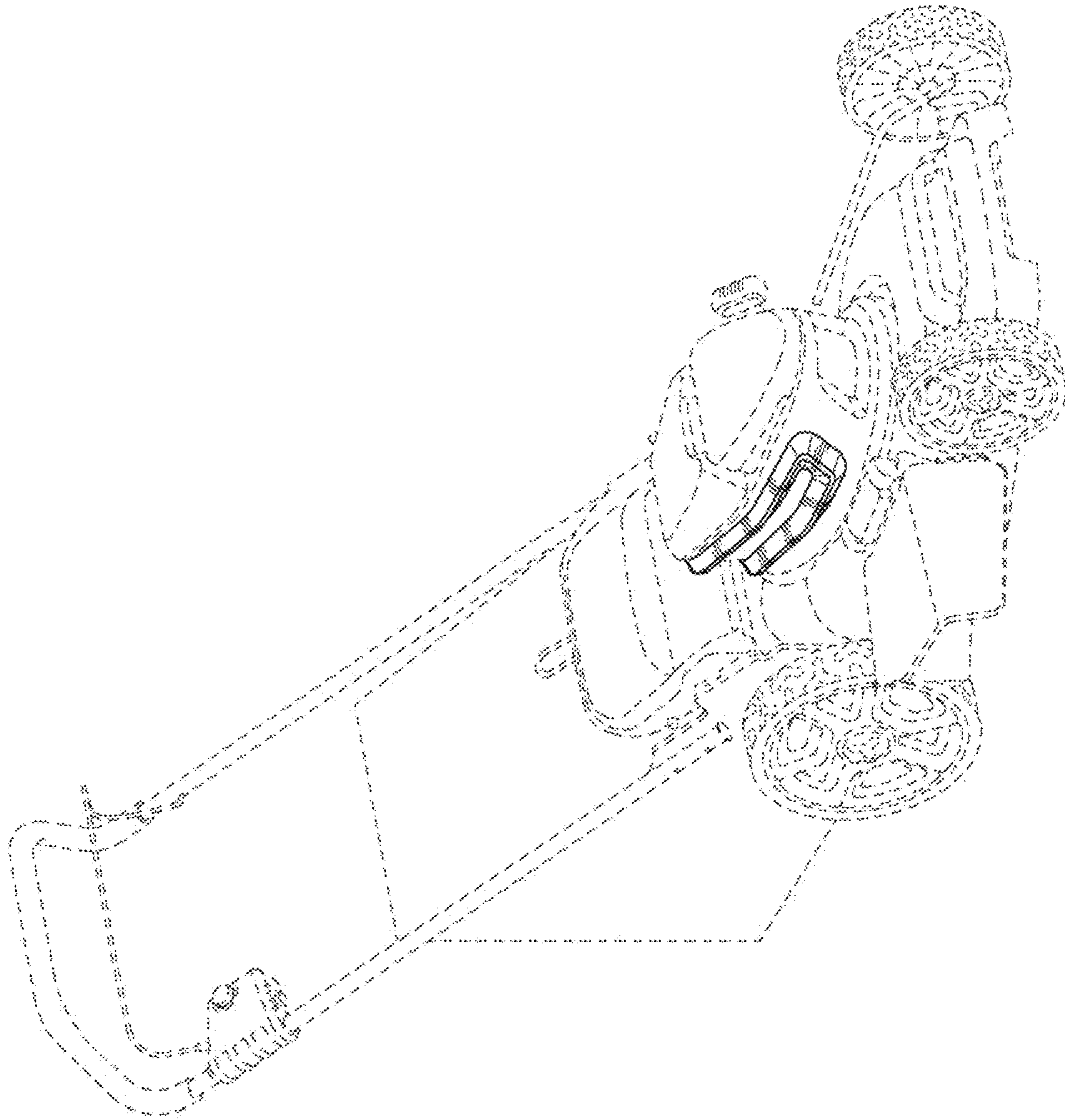


FIG. 16

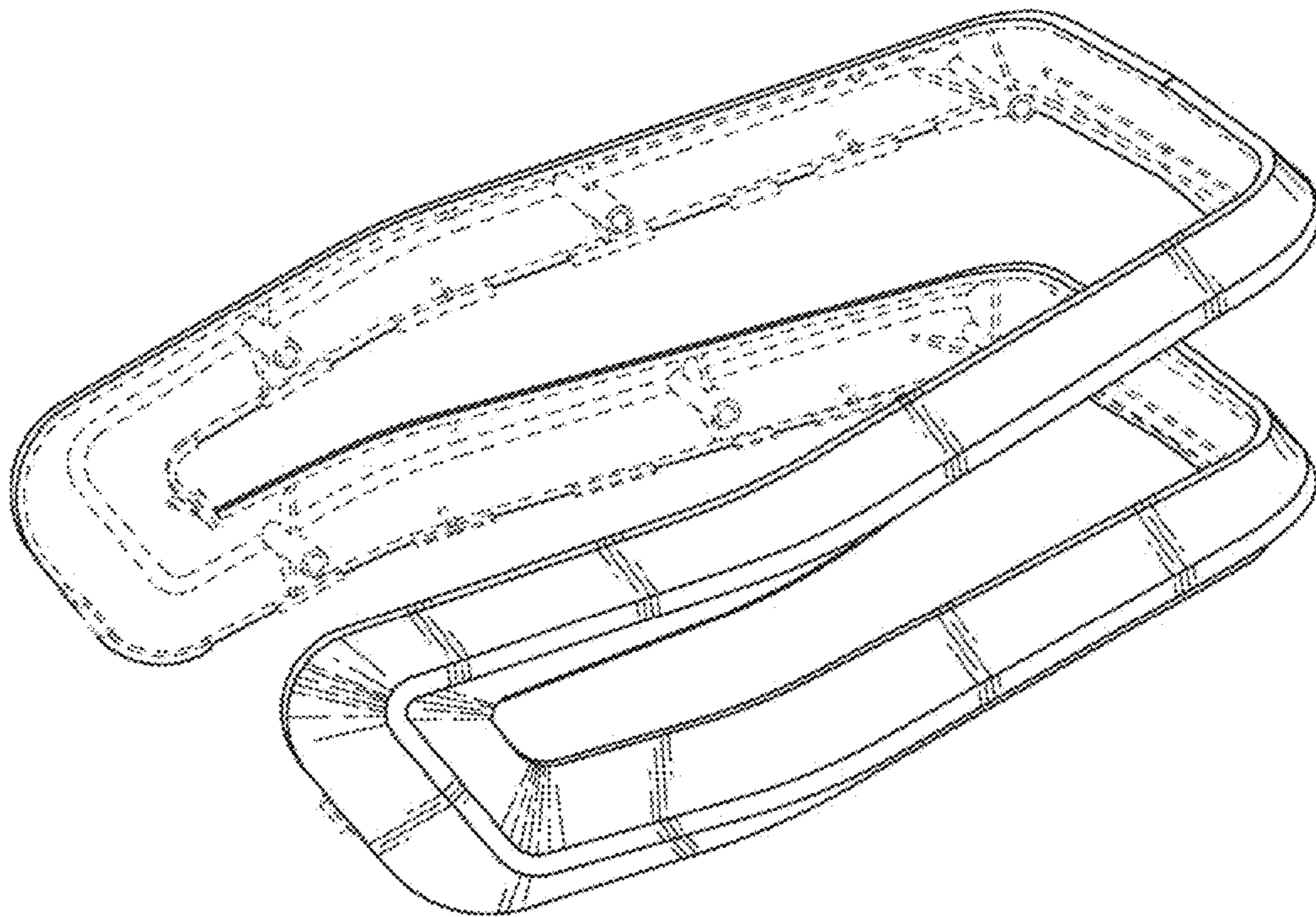


FIG. 17

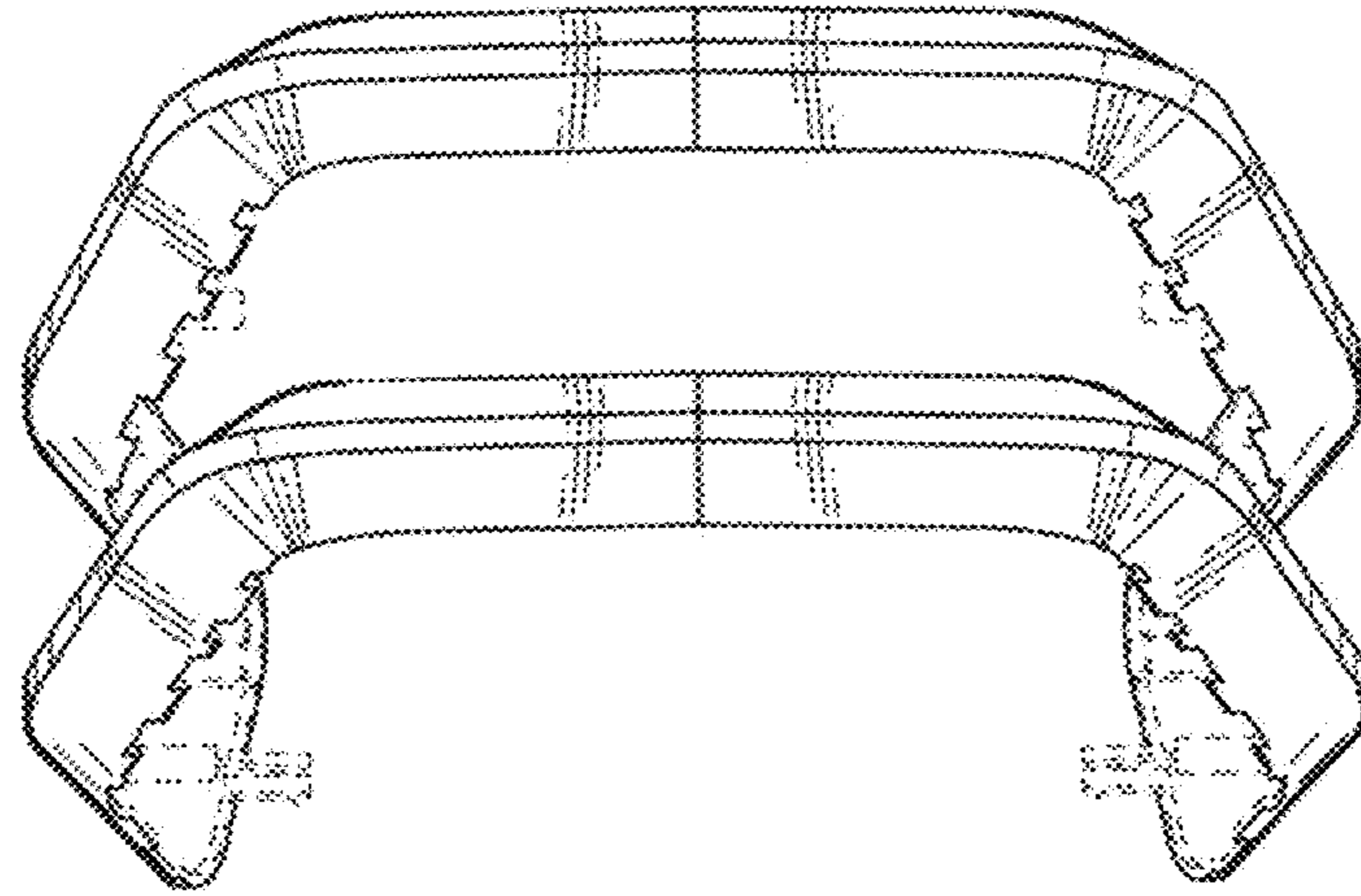


FIG. 18

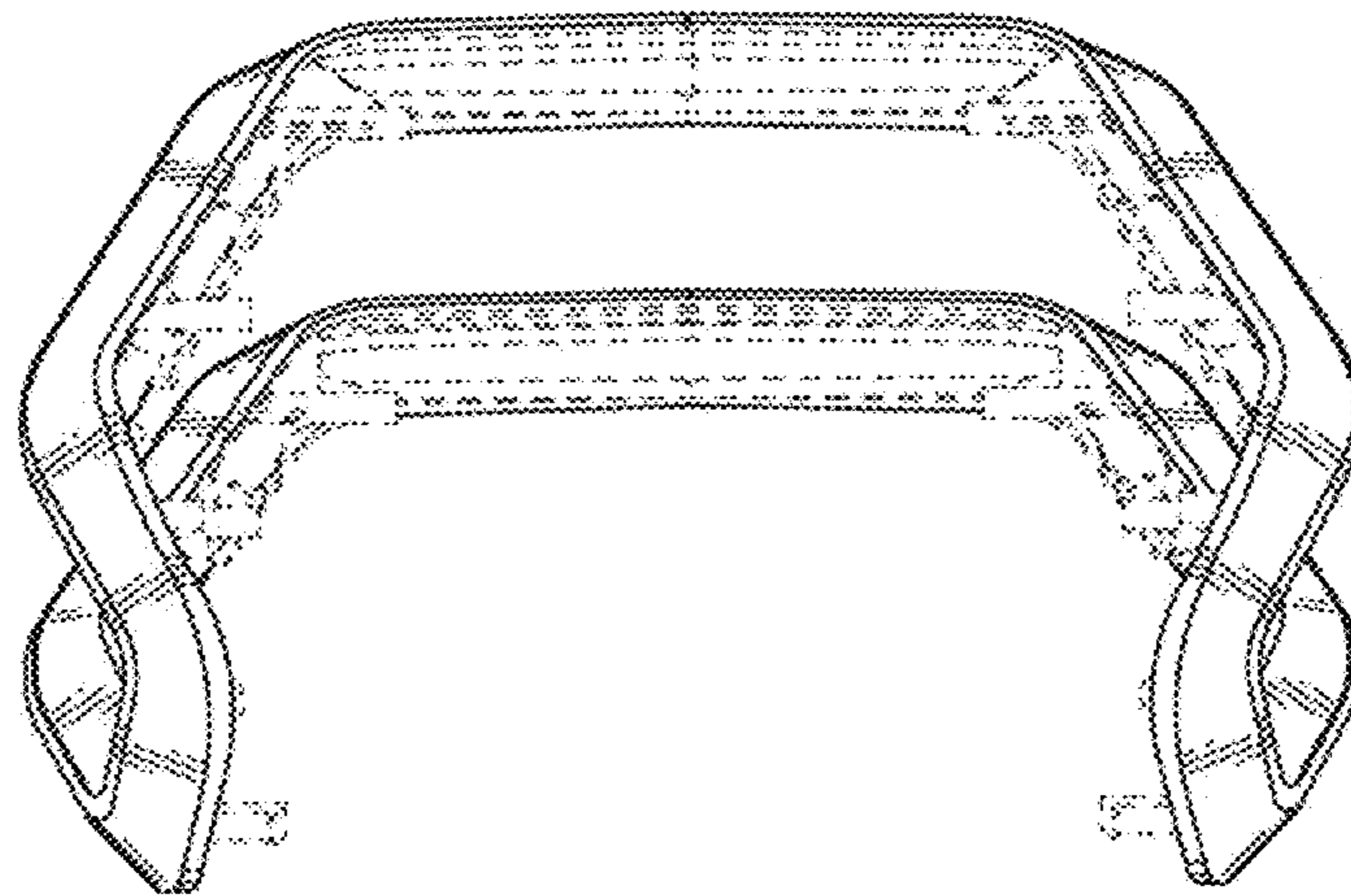


FIG. 19



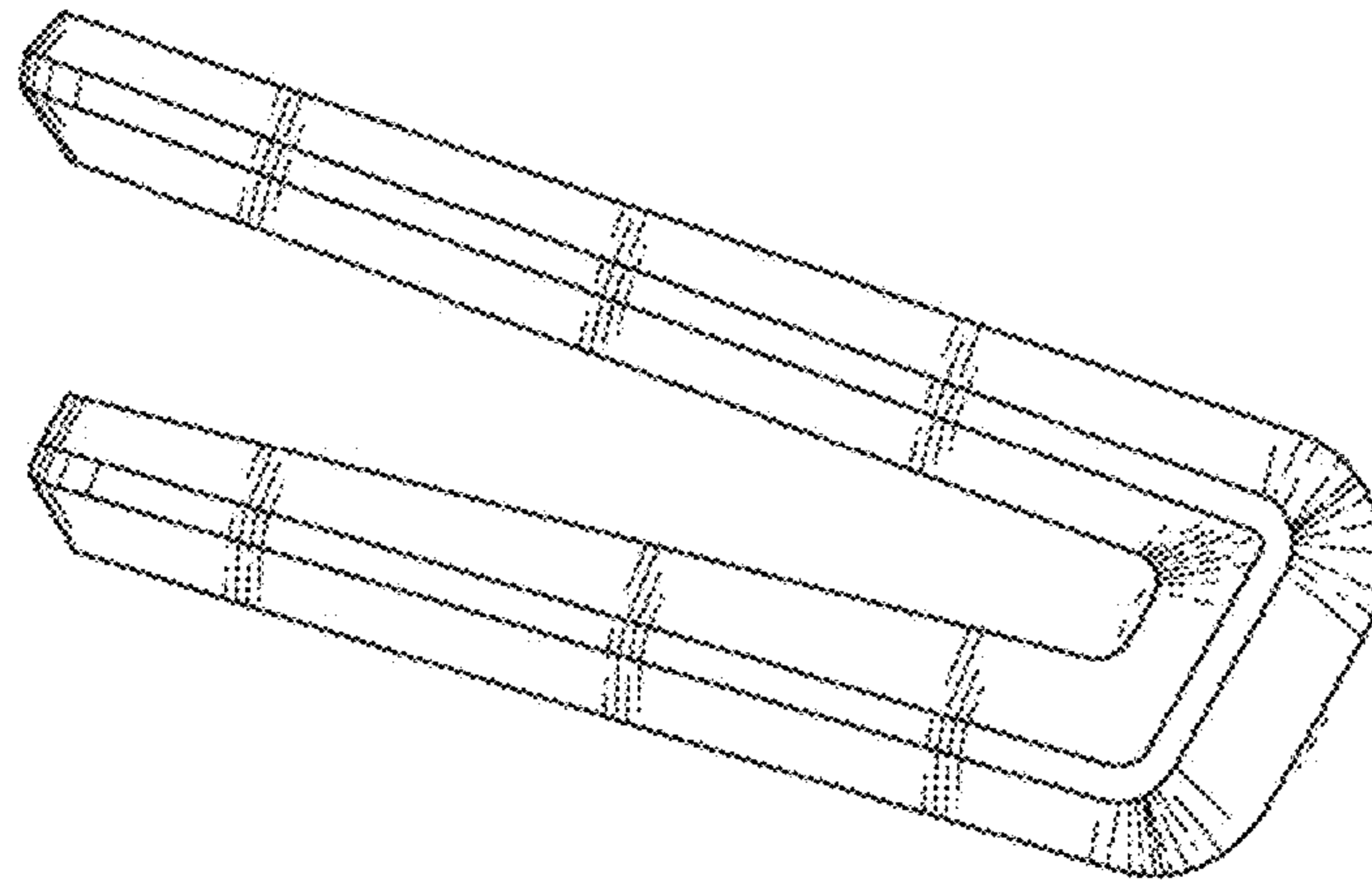


FIG. 20

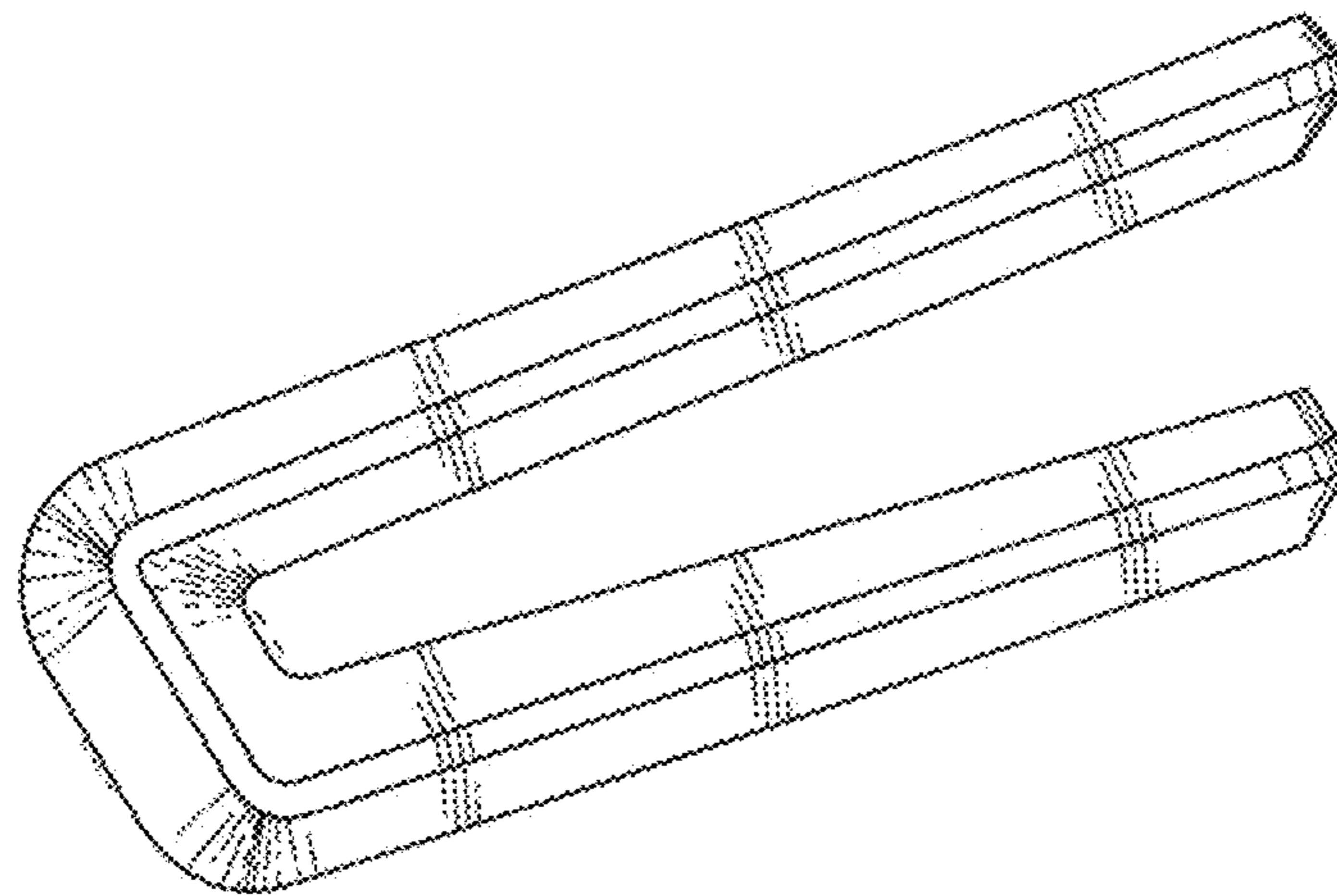


FIG. 21

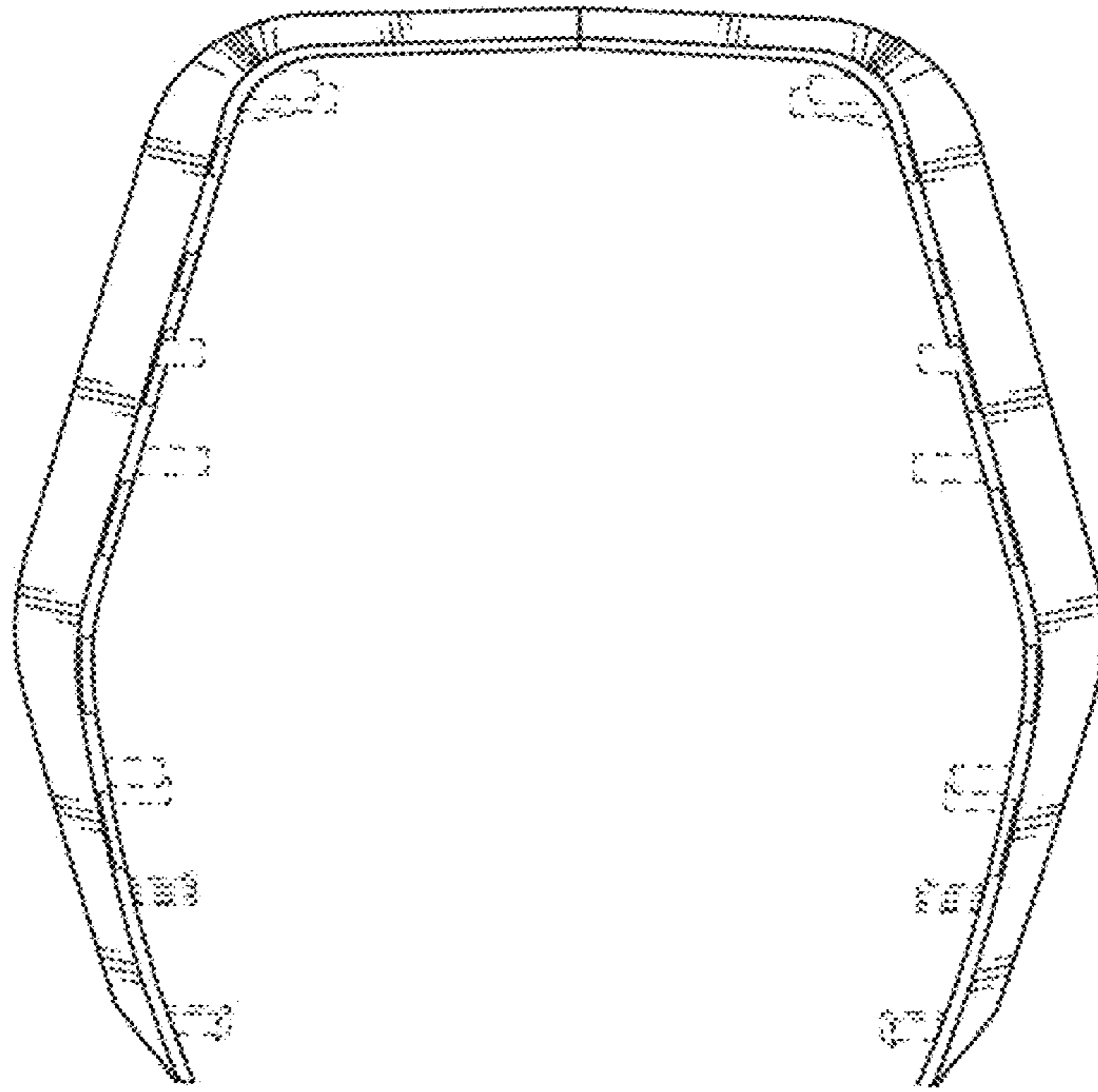


FIG. 22

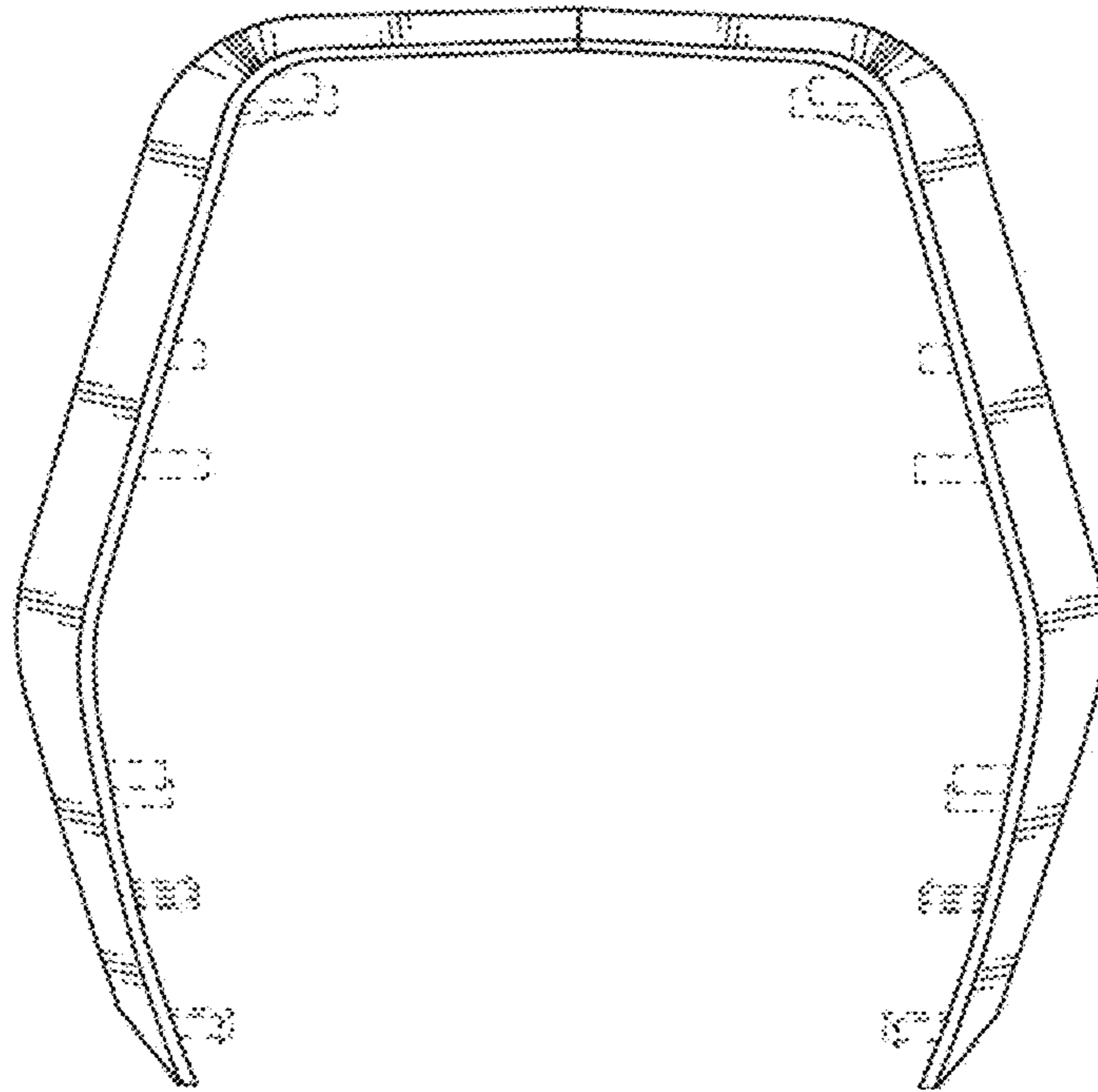


FIG. 23

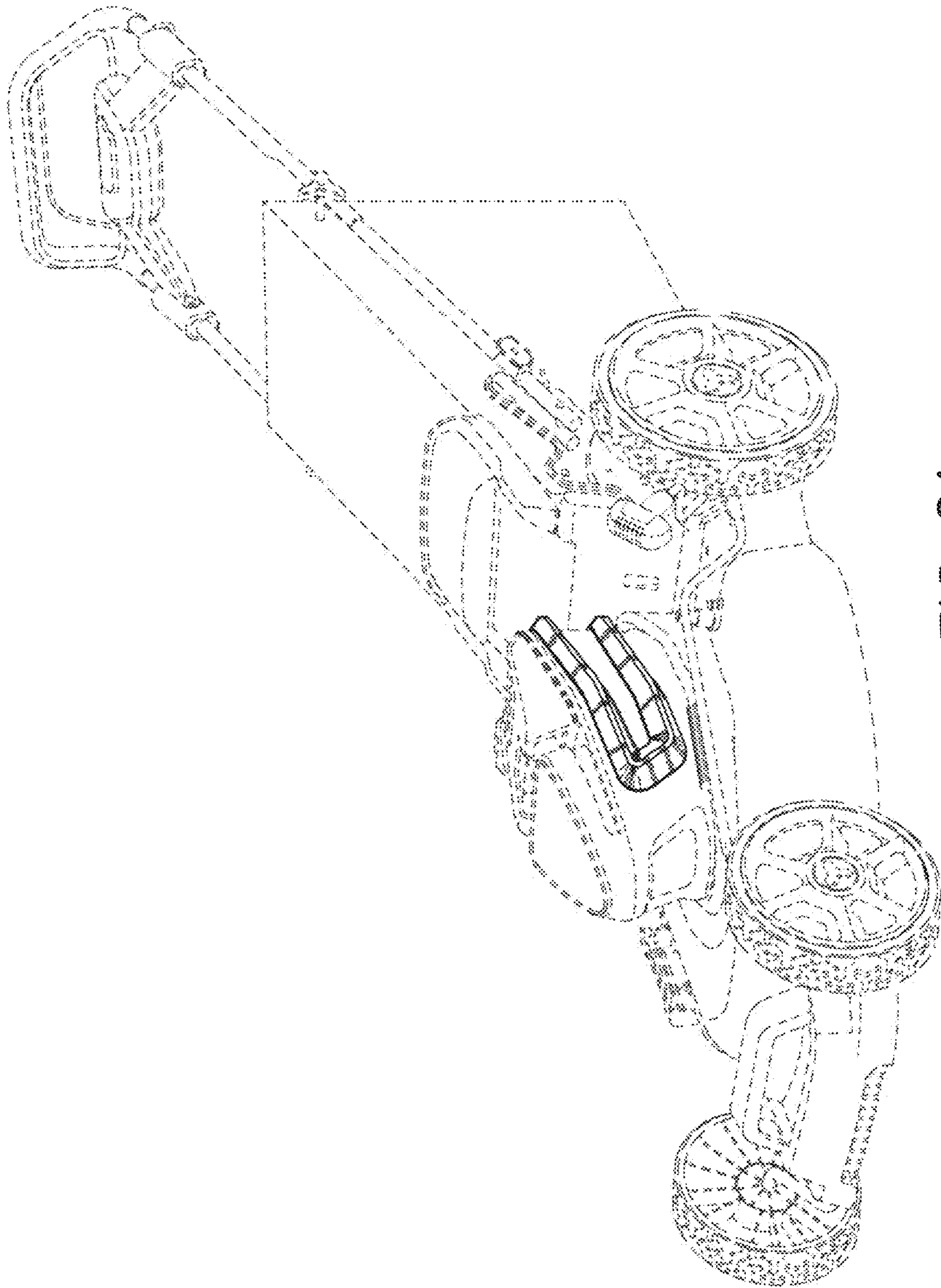


FIG. 24