



US00D958840S

(12) **United States Design Patent**  
**Sharpstone**

(10) **Patent No.:** **US D958,840 S**

(45) **Date of Patent:** **\*\* Jul. 26, 2022**

(54) **PERISTALTIC PUMP**

(71) Applicant: **ASPEN PUMPS LIMITED**, Hailsham  
(GB)

(72) Inventor: **Joseph Oliver Sharpstone**, Hailsham  
(GB)

(73) Assignee: **ASPEN PUMPS LIMITED**

(\*\*) Term: **15 Years**

(21) Appl. No.: **29/727,335**

(22) Filed: **Mar. 10, 2020**

(30) **Foreign Application Priority Data**

Jan. 31, 2020 (EM) ..... 007574488-0001  
Jan. 31, 2020 (EM) ..... 007574488-0002

(51) **LOC (13) Cl.** ..... **15-02**

(52) **U.S. Cl.**  
USPC ..... **D15/7; D24/111**

(58) **Field of Classification Search**  
USPC ..... D15/7-9; D24/108, 110, 111; D13/103;  
D23/210, 225, 231, 232  
CPC . B29C 73/00; B25B 21/02; B60S 5/04; B60S  
5/046; F04B 53/00; F04B 53/92; F04B  
1/005; F04B 25/00; F04B 35/00; F04B  
37/00; F04B 39/00; F04B 27/00; F04B  
43/1269; F04B 43/1276; F04B 43/08;  
F04B 45/08; F04B 17/03; F04B 35/04  
See application file for complete search history.

(56) **References Cited**

**U.S. PATENT DOCUMENTS**

D370,727 S \* 6/1996 Atkinson ..... D24/111  
D490,442 S \* 5/2004 Kuboshima ..... D15/7  
D498,765 S \* 11/2004 Nakazato ..... D10/81  
D520,023 S \* 5/2006 Goto ..... D15/7  
D534,548 S \* 1/2007 Urano ..... D15/7  
D538,193 S \* 3/2007 Mizuno ..... D15/7

D541,816 S \* 5/2007 Puls ..... D15/7  
D559,270 S \* 1/2008 Hori ..... D15/7  
D721,801 S \* 1/2015 Mollstam ..... D24/111  
D735,882 S \* 8/2015 Larson ..... D24/231  
D745,963 S \* 12/2015 Mollstam ..... D24/111  
D778,323 S \* 2/2017 Hashimoto ..... D15/7  
D812,106 S \* 3/2018 Minatodani ..... D15/7  
10,359,037 B2 \* 7/2019 Yaeguchi ..... F04B 43/08  
D879,948 S \* 3/2020 Bunoz ..... D24/111  
D939,692 S \* 12/2021 Sun ..... D24/111

(Continued)

**OTHER PUBLICATIONS**

Stenner Pumps, Econ FX Series Fixed Speed Dosing Pump 7.4 GPD, Tube A 120V, (site visited May 17, 2021), Fresh Water Systems website, URL-<<https://www.freshwatersystems.com/products/stenner-econ-fx-series-fixed-speed-dosing-pump-7-4-gpd-tube-a-120v>> (Year: 2021).\*

*Primary Examiner* — Calvin E Vansant

*Assistant Examiner* — Mark T. Philipps

(74) *Attorney, Agent, or Firm* — Workman Nydegger

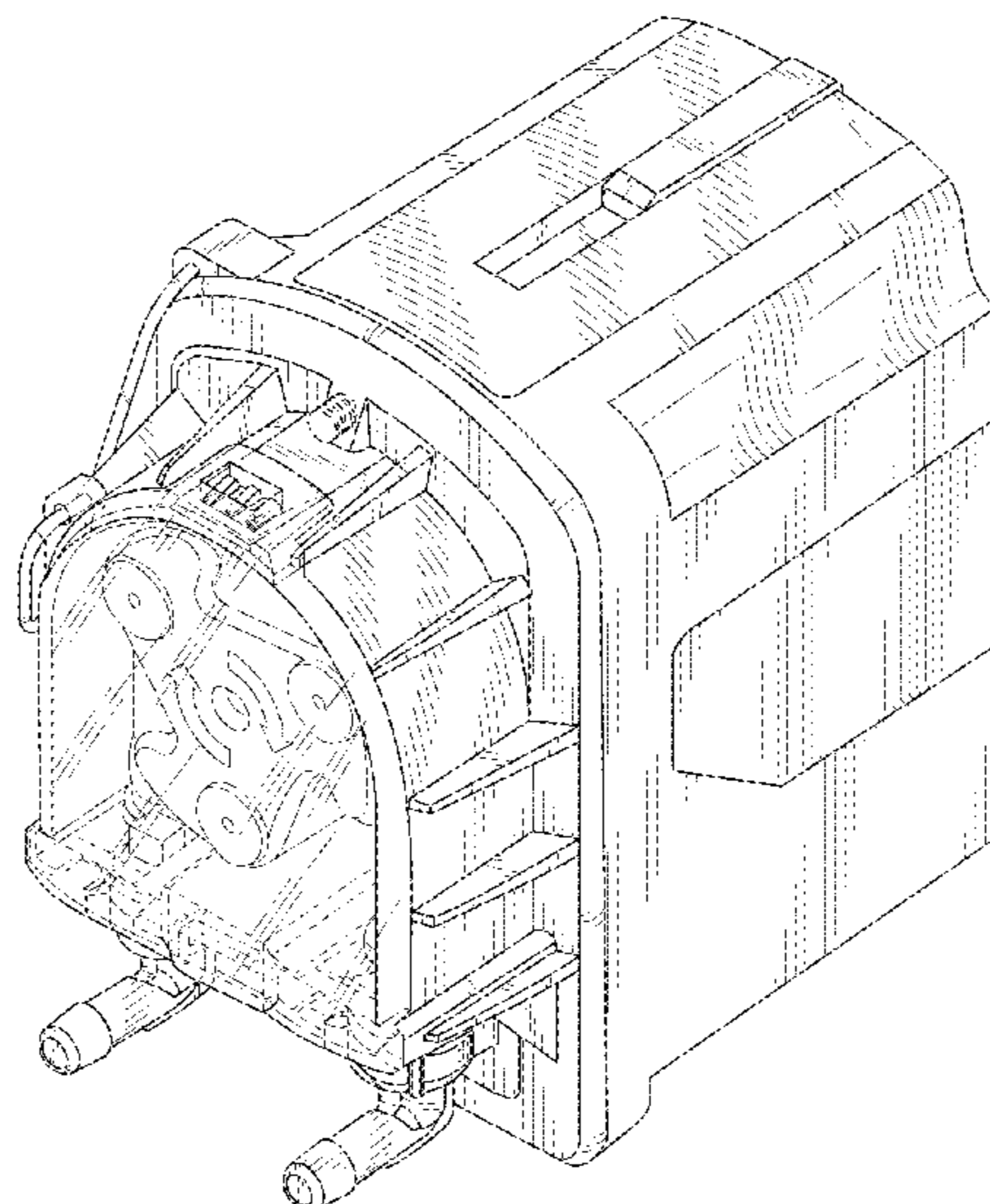
(57) **CLAIM**

The ornamental design for a peristaltic pump, as shown and described.

**DESCRIPTION**

FIG. 1 is a top, right facing, perspective view of my new design for a peristaltic pump;  
FIG. 2 is a front elevational view thereof;  
FIG. 3 is a rear elevational view thereof;  
FIG. 4 is a top plan view thereof;  
FIG. 5 is a bottom plan view thereof;  
FIG. 6 is a left elevational view thereof; and,  
FIG. 7 is a right elevational view thereof.  
The broken lines in the figure drawings depict portions of the peristaltic pump and are for the purpose of illustrating environmental structures only and form no part of the claimed design.

**1 Claim, 7 Drawing Sheets**



(56)

**References Cited**

U.S. PATENT DOCUMENTS

D940,853 S \* 1/2022 Skinner ..... D24/111  
2014/0081202 A1\* 3/2014 Tsoukalis ..... A61M 5/36  
604/67  
2017/0350389 A1\* 12/2017 Quintarelli ..... F04B 49/20  
2019/0186484 A1\* 6/2019 Miller ..... F04B 43/082  
2019/0376505 A1\* 12/2019 Raupach ..... F04B 43/0072  
2020/0261309 A1\* 8/2020 Lee ..... F04B 43/12

\* cited by examiner

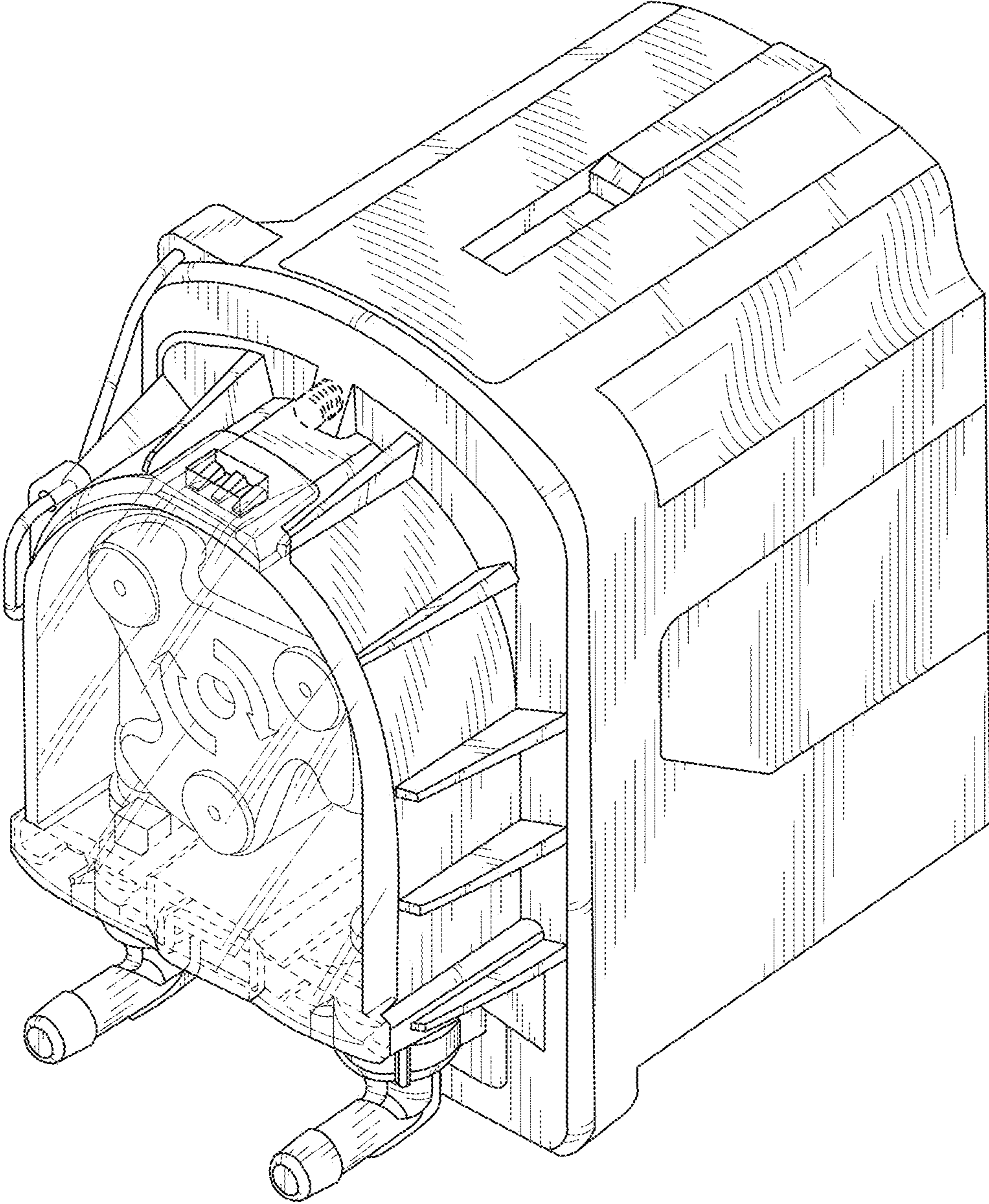


FIG. 1

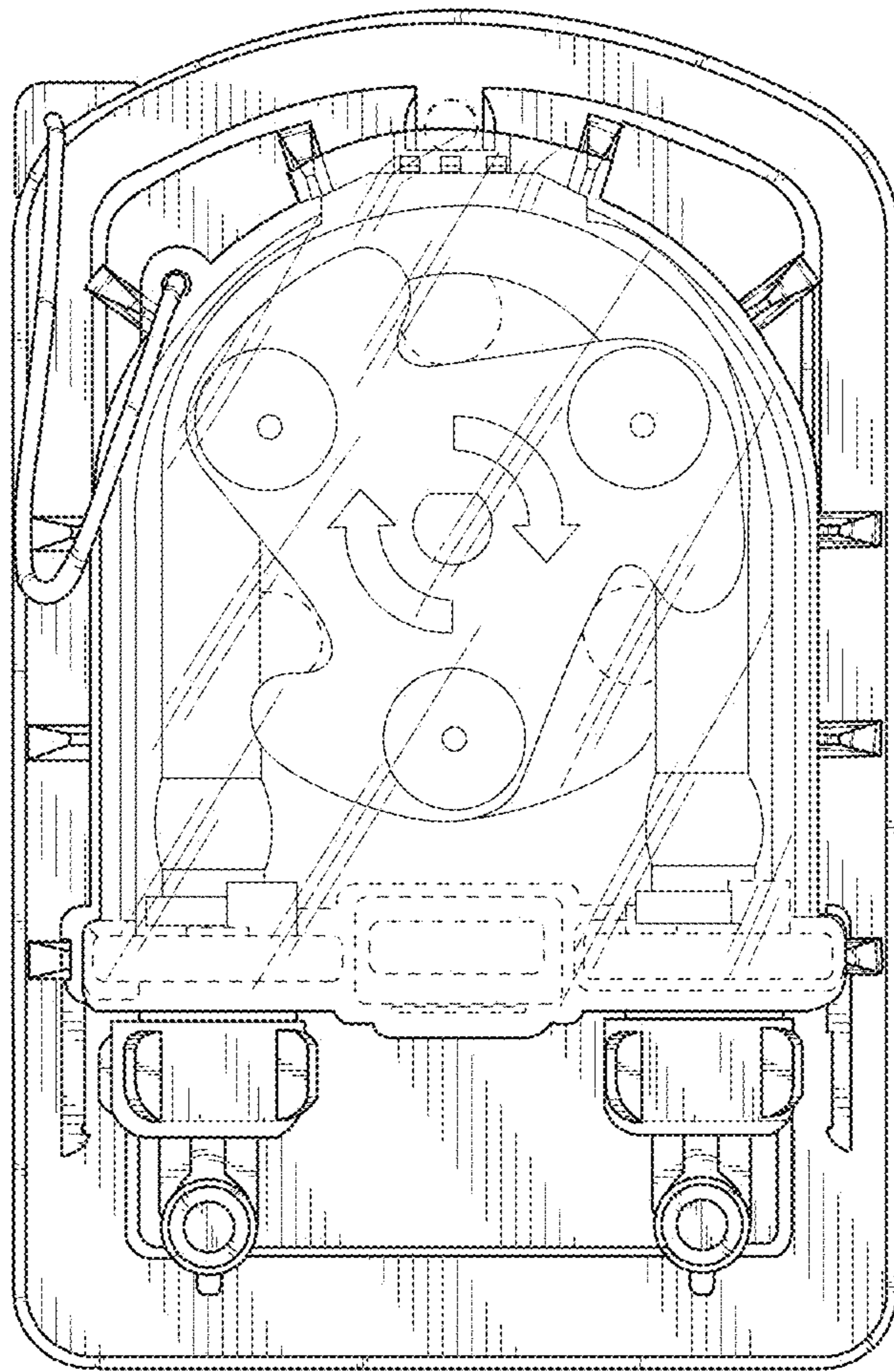


FIG. 2

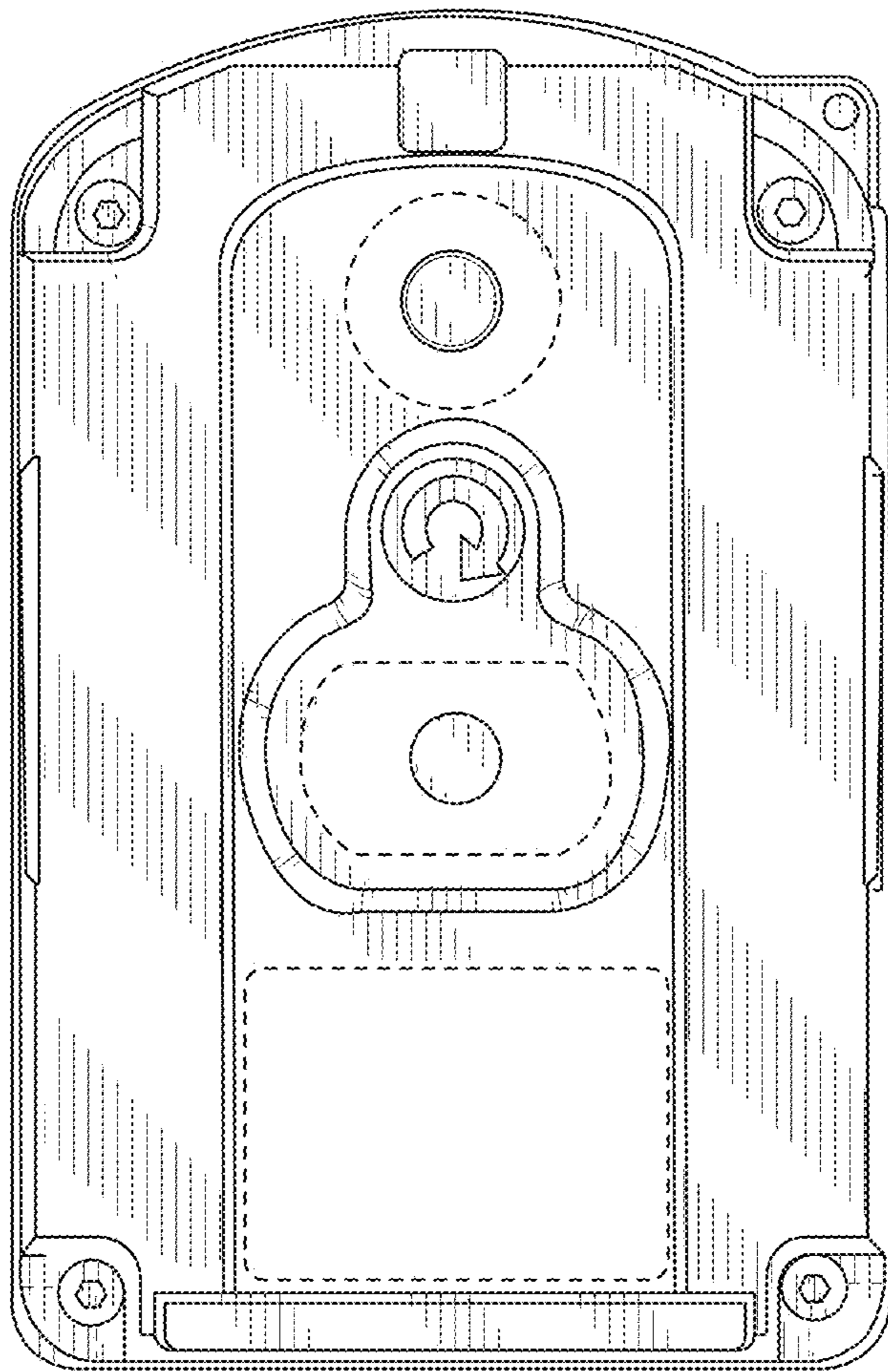


FIG. 3

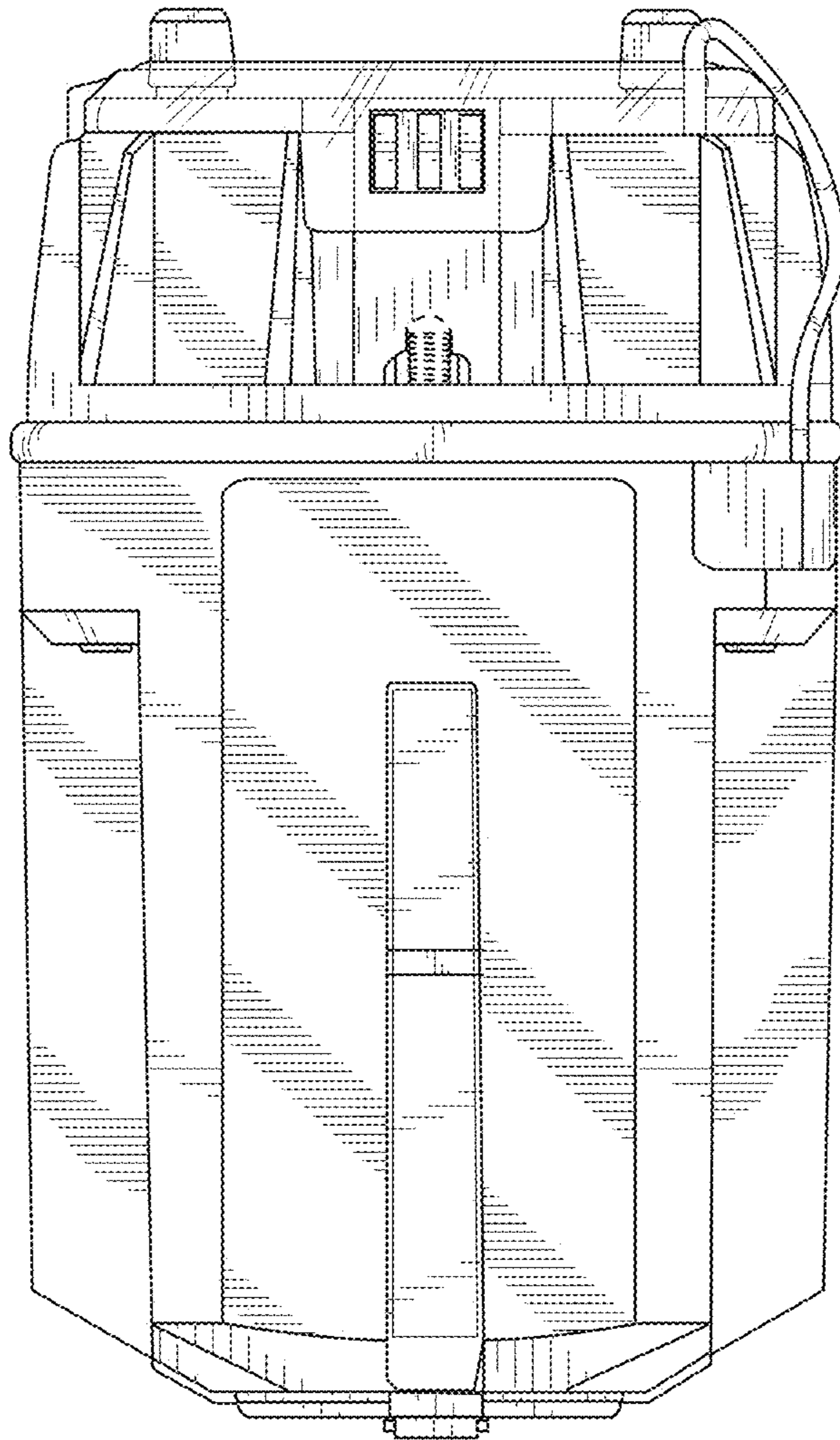


FIG. 4

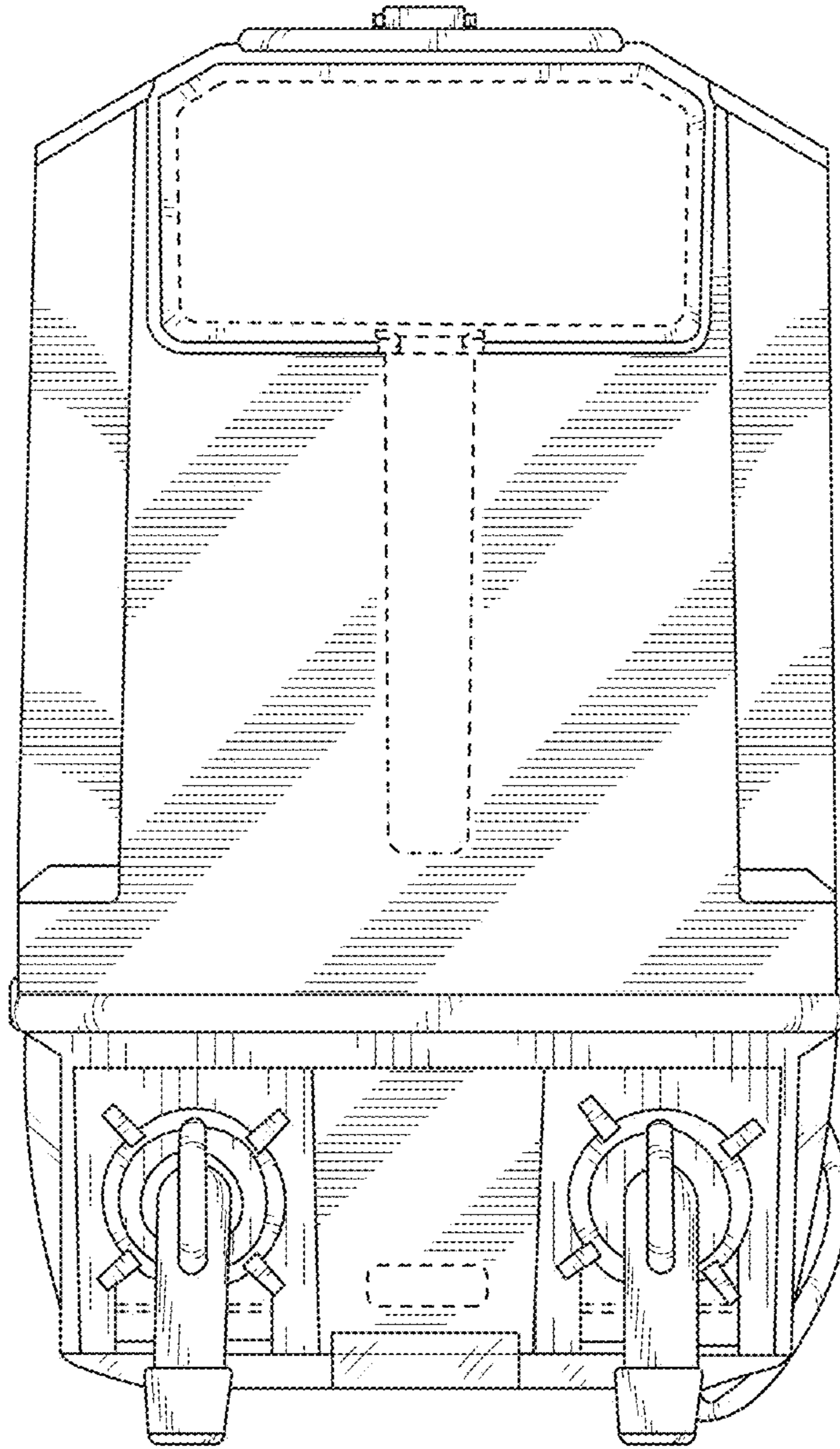


FIG. 5

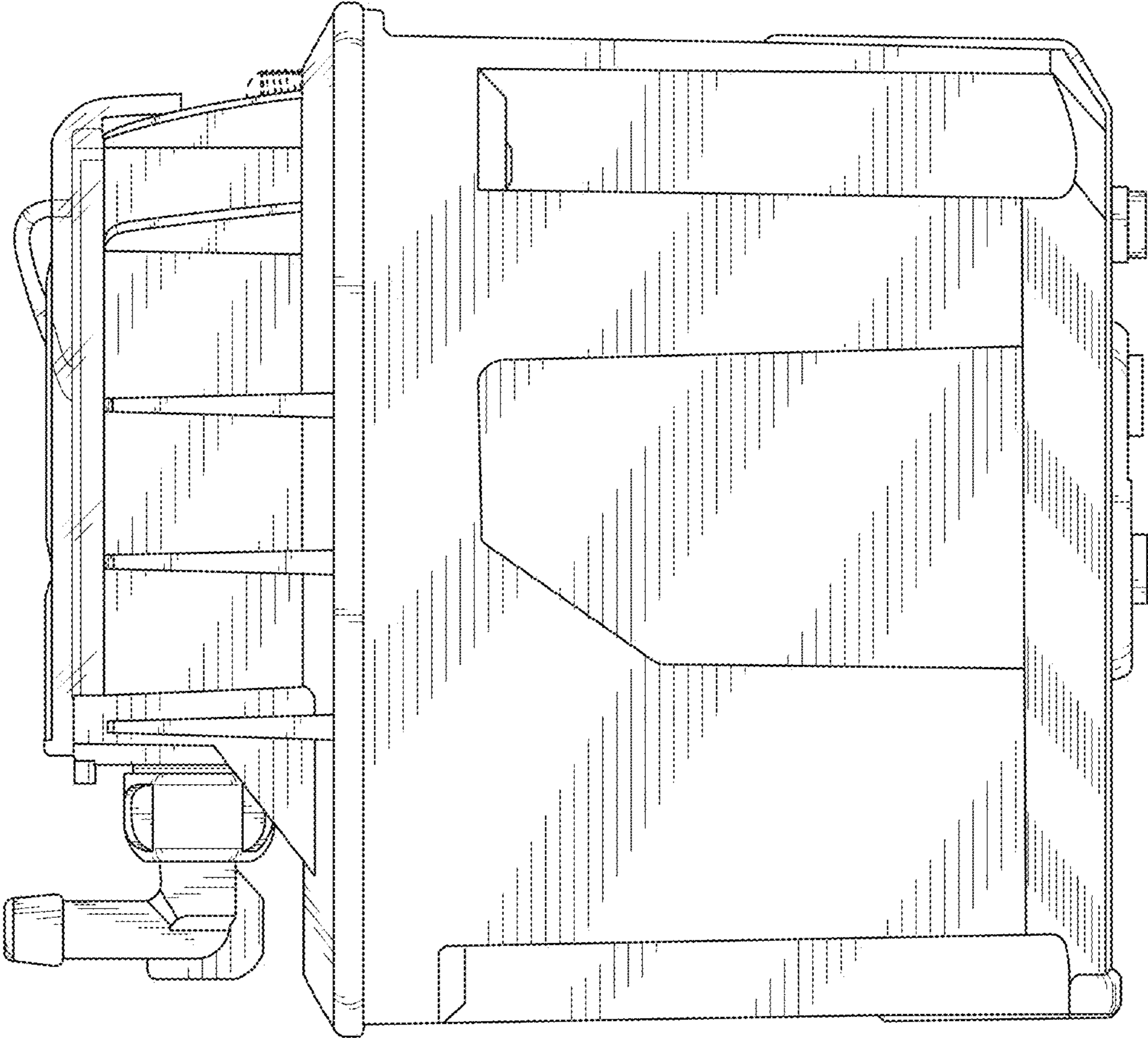


FIG. 6



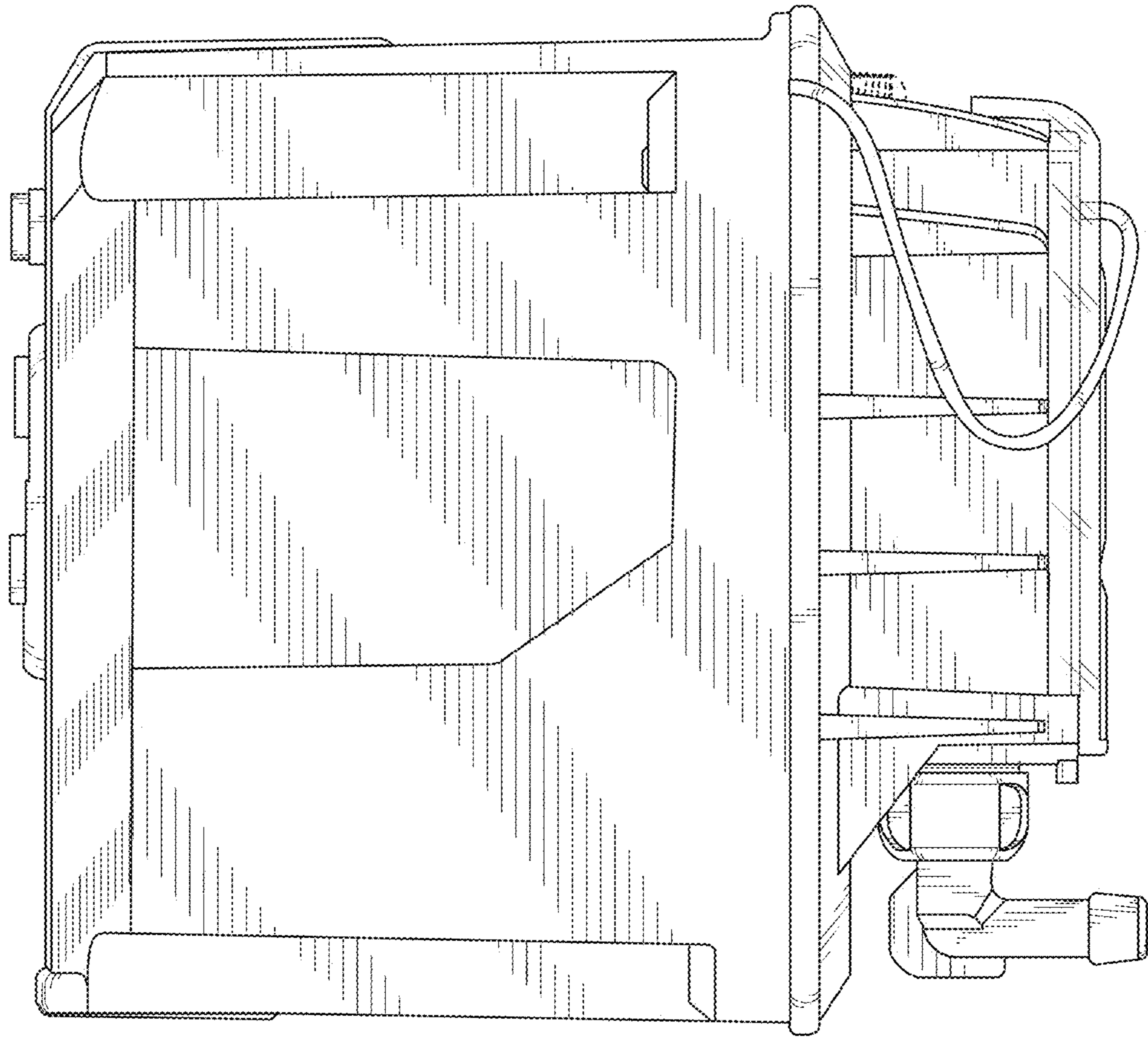


FIG. 7