



US00D958839S

(12) **United States Design Patent** (10) **Patent No.:** **US D958,839 S**  
**Dralle et al.** (45) **Date of Patent:** **\*\* Jul. 26, 2022**

(54) **PANEL FOR INTAKE MANIFOLD**

FOREIGN PATENT DOCUMENTS

(71) Applicant: **Holley Performance Products, Inc.**,  
Bowling Green, KY (US)

AU 341122 2/2012  
AU 201717286 12/2017

(Continued)

(72) Inventors: **James D. Dralle**, Bowling Green, KY  
(US); **Corey D. Spainhoward**, Bowling  
Green, KY (US)

OTHER PUBLICATIONS

Design U.S. Appl. No. 29/605,771, filed May 30, 2017 titled  
“Exhaust Manifold”.

(Continued)

(73) Assignee: **Holley Performance Products, Inc.**,  
Bowling Green, KY (US)

*Primary Examiner* — Ania Aman

(\*\*) Term: **15 Years**

(74) *Attorney, Agent, or Firm* — Middleton Reutlinger

(21) Appl. No.: **29/713,627**

(57) **CLAIM**

The ornamental design of a panel for intake manifold, as  
shown and described.

(22) Filed: **Nov. 18, 2019**

(51) **LOC (13) Cl.** ..... **15-01**

**DESCRIPTION**

(52) **U.S. Cl.**  
USPC ..... **D15/5**

(58) **Field of Classification Search**  
USPC ..... D15/1, 2, 3, 4, 5, 6  
CPC ..... F02M 35/104; F02M 35/108; F02M  
35/1085; F02M 35/116  
See application file for complete search history.

Cross-reference is made to U.S. Design patent application  
Ser. No. 29/713,625, titled “Manifold,” U.S. Design patent  
application Ser. No. 29/713,626, titled “Manifold,” U.S.  
Design patent application Ser. No. 29/713,628, titled  
“Throttle Body Adapter,” all filed on the same day as the  
present application and all of which are expressly incorpo-  
rated herein by reference.

(56) **References Cited**

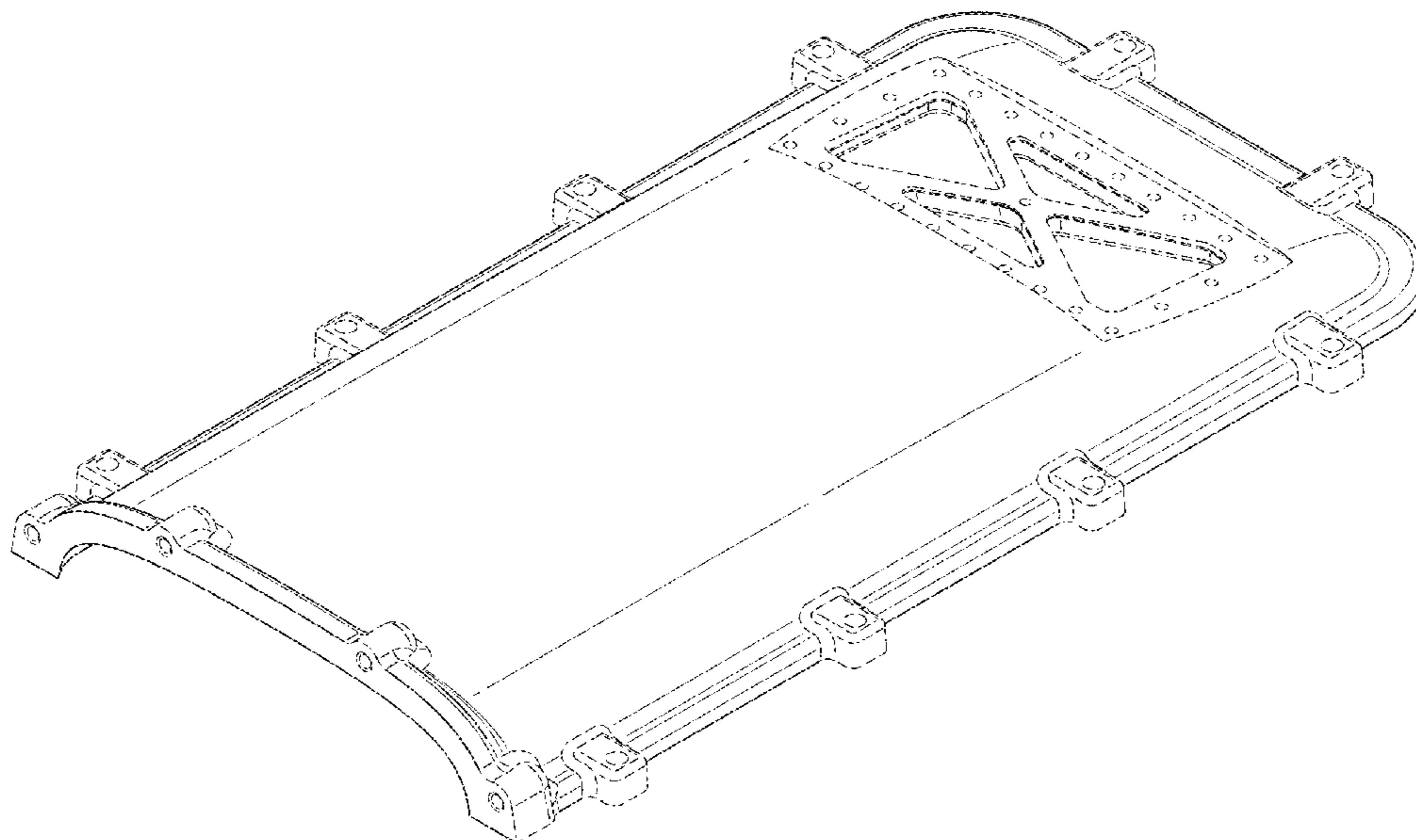
U.S. PATENT DOCUMENTS

5,094,194 A \* 3/1992 Rush, II ..... F02M 35/10222  
123/184.42  
5,261,375 A \* 11/1993 Rush, II ..... F02M 35/10  
123/470  
5,959,263 A 9/1999 Foltz, Jr.  
6,394,128 B1 5/2002 Concialdi  
D465,790 S \* 11/2002 Magnuson ..... D15/5  
6,792,906 B2 9/2004 Grant  
7,533,661 B2 5/2009 Baasch  
D654,094 S 2/2012 Dralle  
D794,681 S 8/2017 Newman et al.

FIG. 1 is an upper perspective view of a design of a panel  
for intake manifold;  
FIG. 2 is a front view of the design of FIG. 1;  
FIG. 3 is a rear view of the design of FIG. 1;  
FIG. 4 is a first side view of the design of FIG. 1;  
FIG. 5 is a second side view of the design of FIG. 1;  
FIG. 6 is a top view of the design of FIG. 1;  
FIG. 7 is a bottom view of the design of FIG. 1; and,  
FIG. 8 is a lower perspective view of the design of FIG. 1.  
The broken lines shown in the drawings are included for the  
purpose of illustrating the unclaimed boundary and/or  
unclaimed portions of a panel for intake manifold. The  
broken lines form no part of the claimed design.

(Continued)

**1 Claim, 8 Drawing Sheets**



(56)

**References Cited**

U.S. PATENT DOCUMENTS

D794,682	S	8/2017	Newman et al.	
D853,920	S	7/2019	Hudnall	
10,385,811	B2	8/2019	Newman	
D886,701	S	6/2020	Hudnall	
D900,873	S	11/2020	Hudnall	
D901,539	S	11/2020	Hudnall	
D902,256	S	11/2020	Hudnall	
2003/0101957	A1*	6/2003	Benson .....	F02M 35/116 123/184.34
2004/0094111	A1	5/2004	Concialdi	
2009/0260906	A1*	10/2009	Hartland .....	F02M 35/10288 180/68.3
2016/0237961	A1*	8/2016	Callaway, III .....	F02B 29/0437
2017/0218891	A1*	8/2017	Zoner .....	F02M 35/10157
2019/0360438	A1*	11/2019	Tiramani .....	F02M 35/116

FOREIGN PATENT DOCUMENTS

AU	201717292	12/2017
AU	201717296	12/2017
AU	201811295	5/2018
AU	201812792	6/2018
AU	201910218	3/2019
AU	201910224	3/2019
AU	201910225	3/2019
AU	201911575	4/2019
AU	201911576	4/2019
AU	201911578	4/2019
AU	2015338922	11/2019
AU	202010280	3/2020
AU	202010291	3/2020
AU	202010326	4/2020
AU	202012463	6/2020
AU	202012810	8/2020
AU	202012813	8/2020
AU	202012814	8/2020
AU	202012815	8/2020
AU	202012817	8/2020
AU	202012818	8/2020

AU	202013437	10/2020
AU	202015398	11/2020
AU	202015399	11/2020
AU	202112130	4/2021
AU	202112132	4/2021
AU	202112133	5/2021

OTHER PUBLICATIONS

Design U.S. Appl. No. 29/795,969, filed Jun. 22, 2021 titled "Manifold".

Design U.S. Appl. No. 29/699,715, filed Jul. 29, 2019 titled Manifold.

Design U.S. Appl. No. 29/713,834, filed Nov. 19, 2019 titled Manifold.

Design U.S. Appl. No. 29/713,833, filed Nov. 19, 2019 titled Manifold.

Design U.S. Appl. No. 29/713,626, filed Nov. 18, 2019 titled Manifold.

Design U.S. Appl. No. 29/755,372, filed Oct. 20, 2020 titled Manifold.

Design U.S. Appl. No. 29/713,625, filed Nov. 18, 2019 titled Manifold.

Design U.S. Appl. No. 29/747,341, filed Aug. 21, 2020 titled Manifold.

Design U.S. Appl. No. 29/755,371, filed Oct. 20, 2020 titled Manifold.

Design U.S. Appl. No. 29/718,592, filed Dec. 26, 2019 titled Manifold.

Design U.S. Appl. No. 29/658,718, filed Aug. 2, 2018 titled Cooling Manifold.

Design U.S. Appl. No. 29/707,393, filed Sep. 27, 2019 titled Cooling Manifold.

Design U.S. Appl. No. 29/755,373, filed Oct. 20, 2020 titled Manifold Adapter.

Design U.S. Appl. No. 29/713,628, filed Nov. 18, 2019 titled Throttle Body Adapter.

Holley 2017 New & Hot Products 2016.

\* cited by examiner

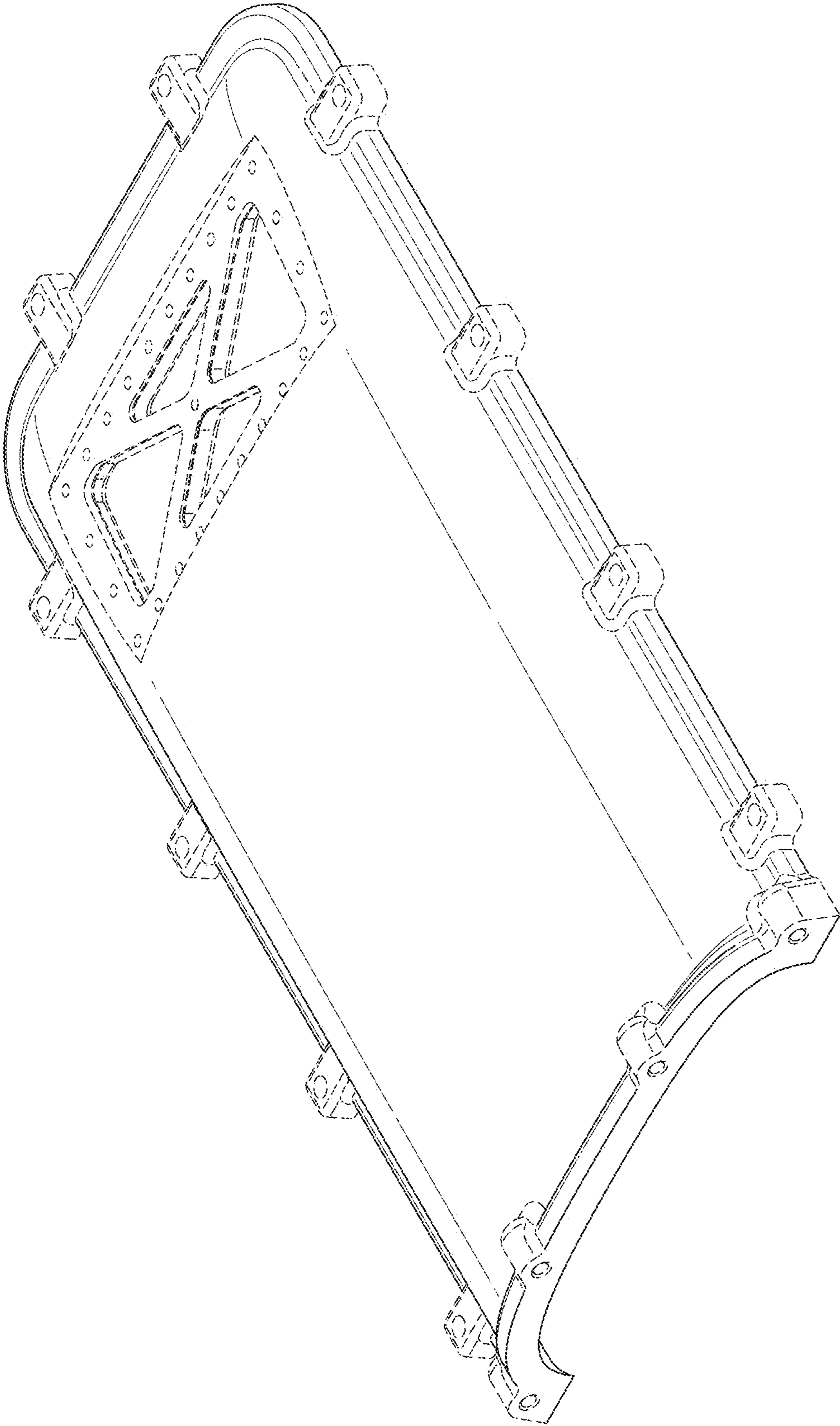


FIG. 1



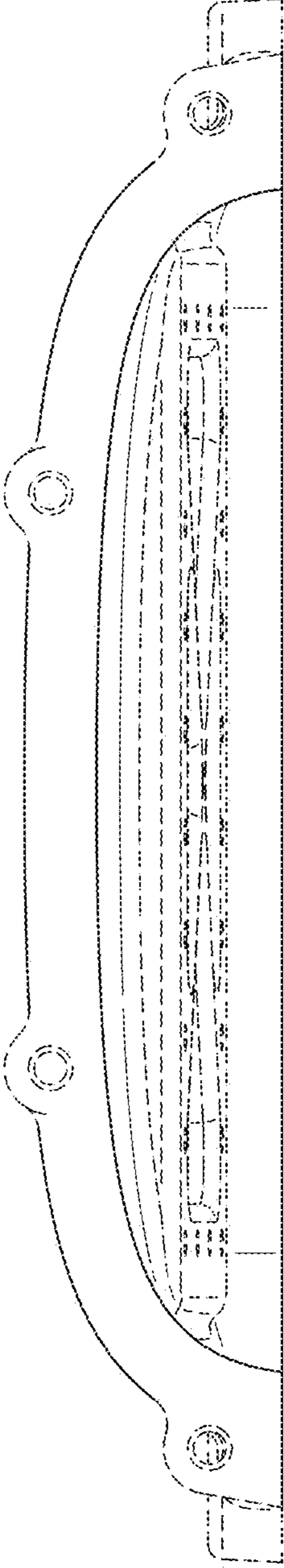


FIG. 2

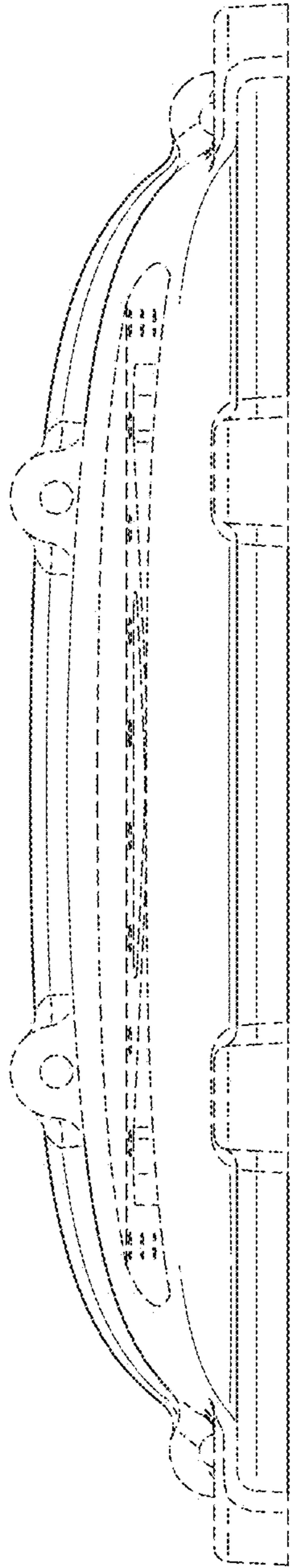


FIG. 3

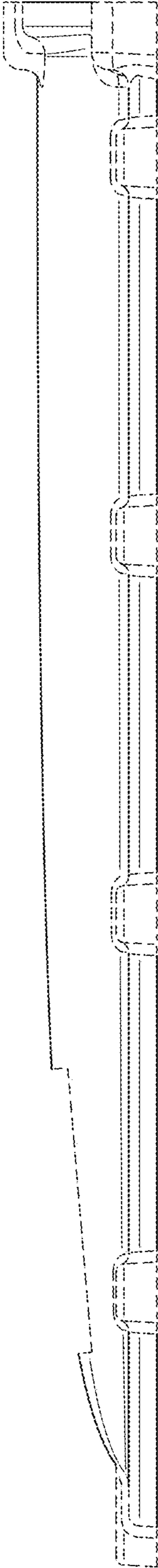


FIG. 4

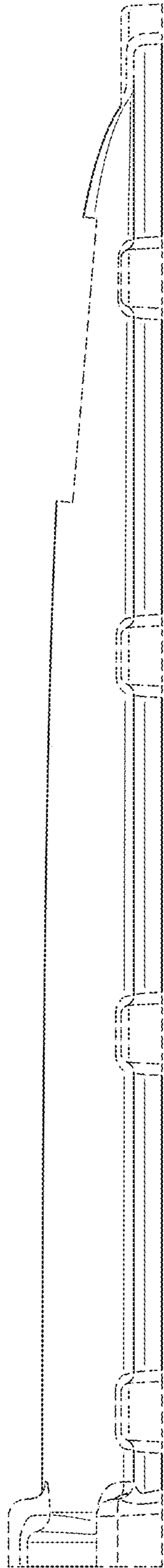


FIG. 5

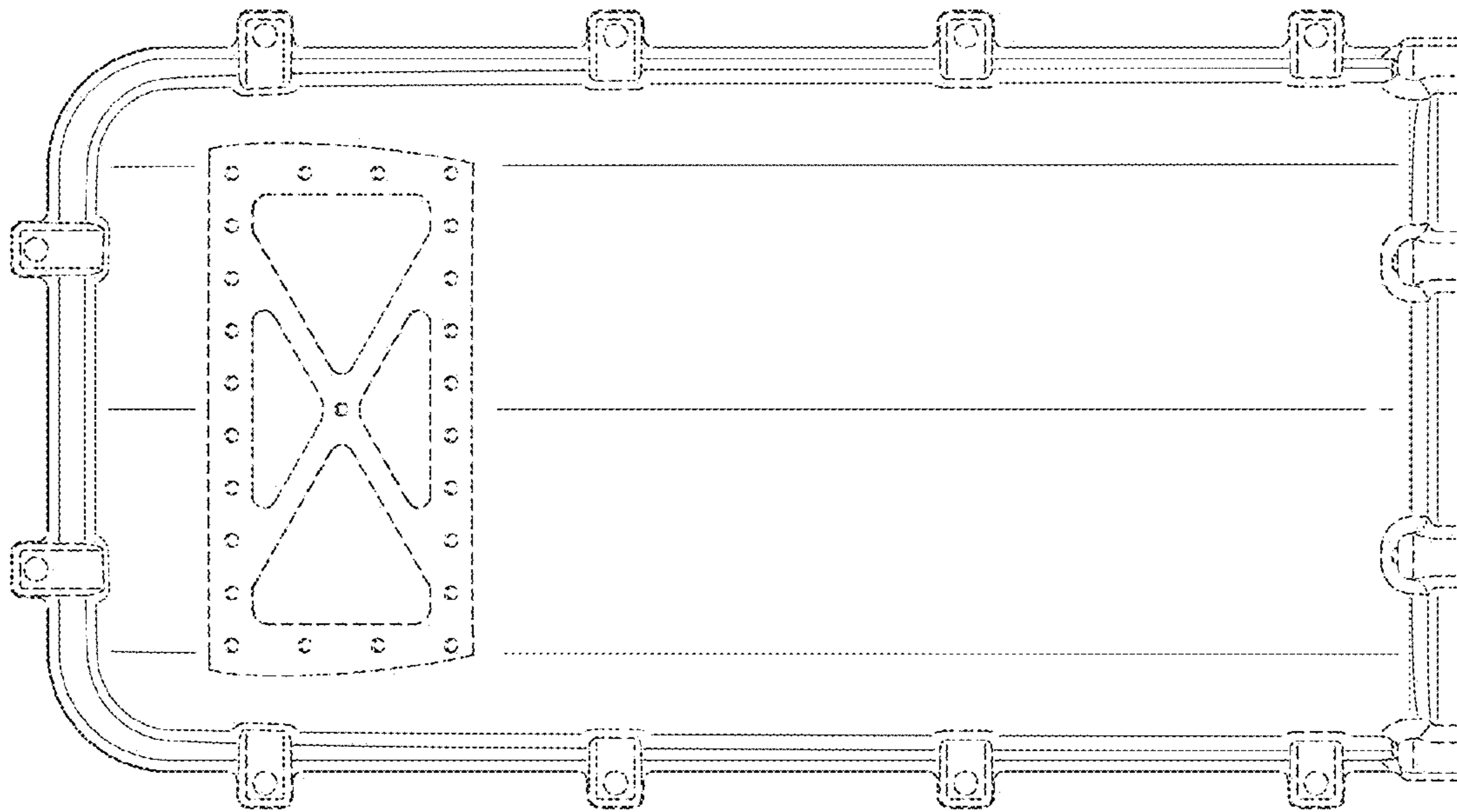


FIG. 6



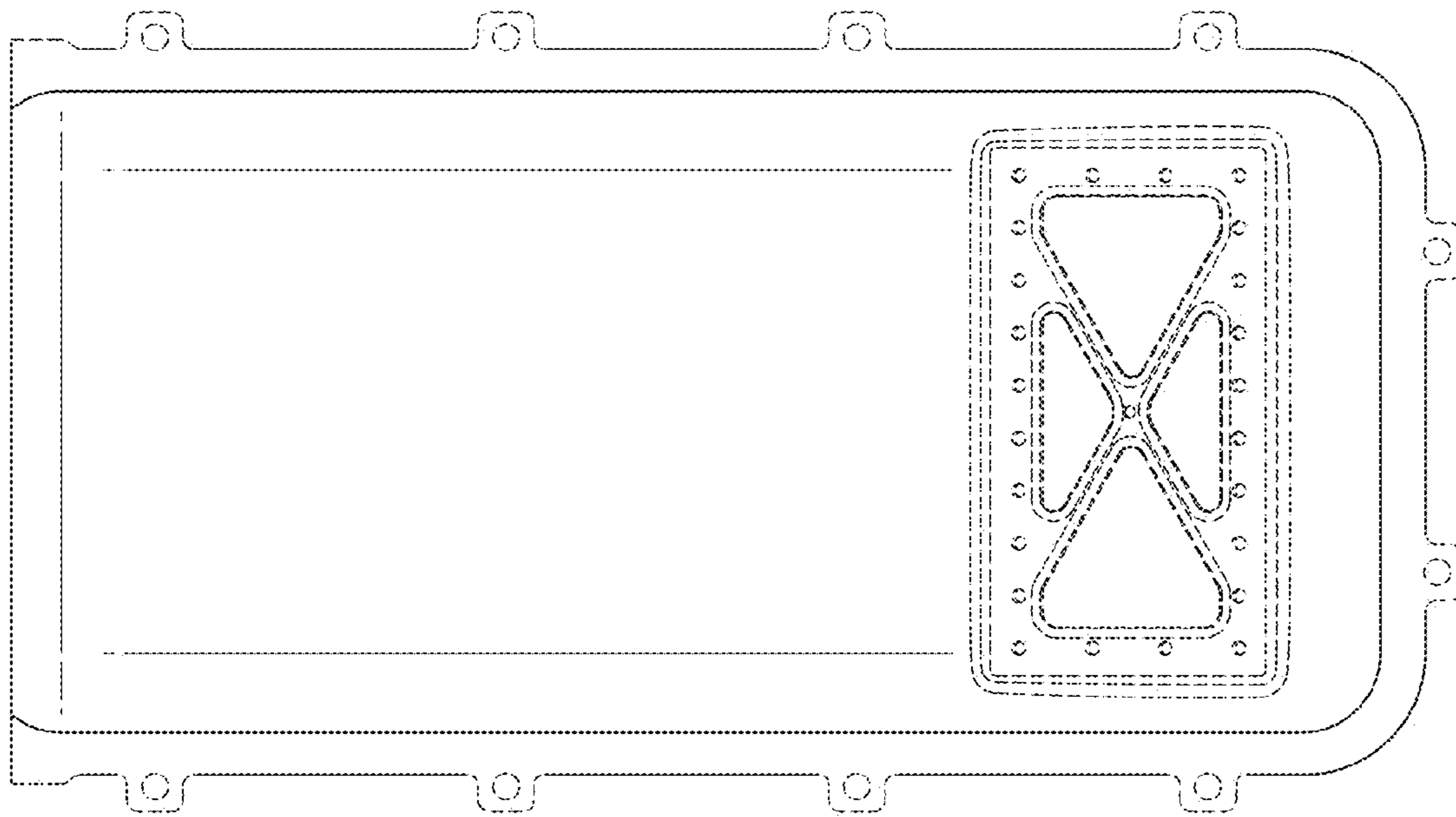


FIG. 7

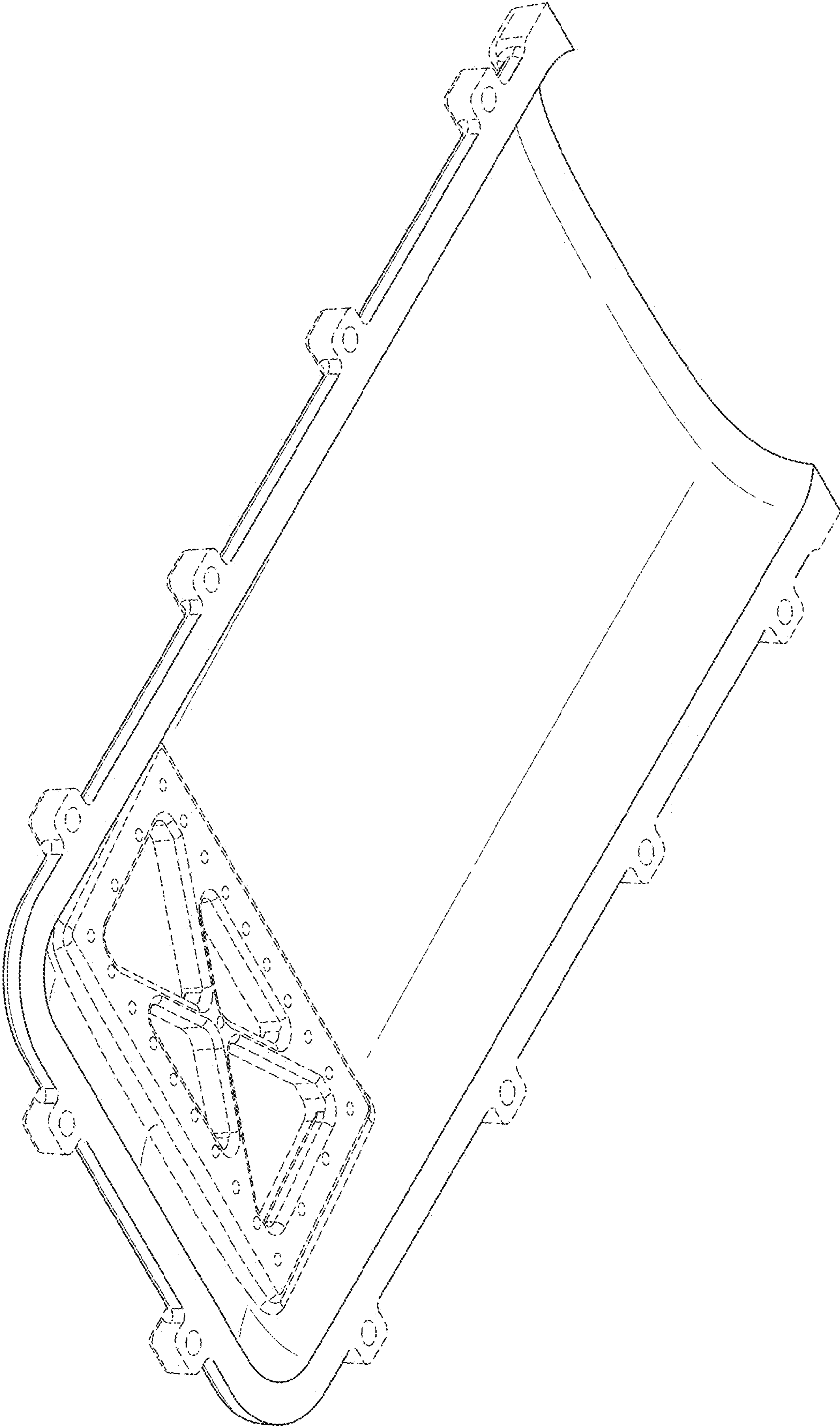


FIG. 8