



US00D958815S

(12) **United States Design Patent** (10) **Patent No.:** **US D958,815 S**  
**Schuler et al.** (45) **Date of Patent:** **\*\* Jul. 26, 2022**

(54) **DISPLAY SCREEN OR A PORTION THEREOF WITH A GRAPHICAL USER INTERFACE**

(71) Applicant: **Schuler-Haas Electric Corp.**, Rochester, NY (US)

(72) Inventors: **Edward Timothy Schuler**, Rochester, NY (US); **Daniel Jonathan Streicher**, Victor, NY (US); **Kevin Michael Rickett**, Bloomfield, NY (US); **Gregory Doble Cummins**, Rochester, NY (US)

(73) Assignee: **SCHULER-HAAS ELECTRIC CORP.**, Rochester, NY (US)

(\*\*) Term: **15 Years**

(21) Appl. No.: **29/809,502**

(22) Filed: **Sep. 28, 2021**

**Related U.S. Application Data**

(62) Division of application No. 29/734,303, filed on May 11, 2020, now Pat. No. Des. 934,889, which is a division of application No. 29/619,789, filed on Oct. 2, 2017, now Pat. No. Des. 886,832.

(51) **LOC (13) Cl.** ..... **14-04**

(52) **U.S. Cl.**  
USPC ..... **D14/485**

(58) **Field of Classification Search**  
USPC ..... D14/485-495  
CPC . G05B 19/418; G06F 3/0484; G06F 3/04842;  
G06F 3/04845; G06F 17/50  
See application file for complete search history.

(56) **References Cited**

**U.S. PATENT DOCUMENTS**

5,617,031 A \* 4/1997 Tuttle ..... G01V 3/088  
324/225  
6,002,399 A 12/1999 Haine

D451,520 S \* 12/2001 Fukuda ..... D14/485  
D461,478 S \* 8/2002 Bungert ..... D14/489  
D466,129 S \* 11/2002 Bungert ..... D14/489  
D482,040 S 11/2003 Itai  
D494,984 S \* 8/2004 Peter ..... D14/491  
D495,338 S \* 8/2004 Peter ..... D14/486  
D501,484 S 2/2005 Platz  
D525,981 S \* 8/2006 Hally ..... D14/485  
D562,843 S 2/2008 Fletcher  
D598,467 S 8/2009 Syme  
D606,551 S 12/2009 Willis  
8,004,525 B2 8/2011 Brinkmann  
D650,788 S 12/2011 Marks  
D665,409 S 8/2012 Gupta  
D673,174 S 12/2012 Carpenter  
D677,690 S 3/2013 Phelan  
D681,656 S 5/2013 Lawrence  
D684,182 S 6/2013 Phelan

(Continued)

**OTHER PUBLICATIONS**

U.S. Appl. No. 29/809,510, filed Sep. 28, 2021, Edward Timothy Schuler, Display Screen or a Portion Thereof with a Graphical User Interface.

*Primary Examiner* — Daniel J Domino

(74) *Attorney, Agent, or Firm* — Nixon Peabody LLP

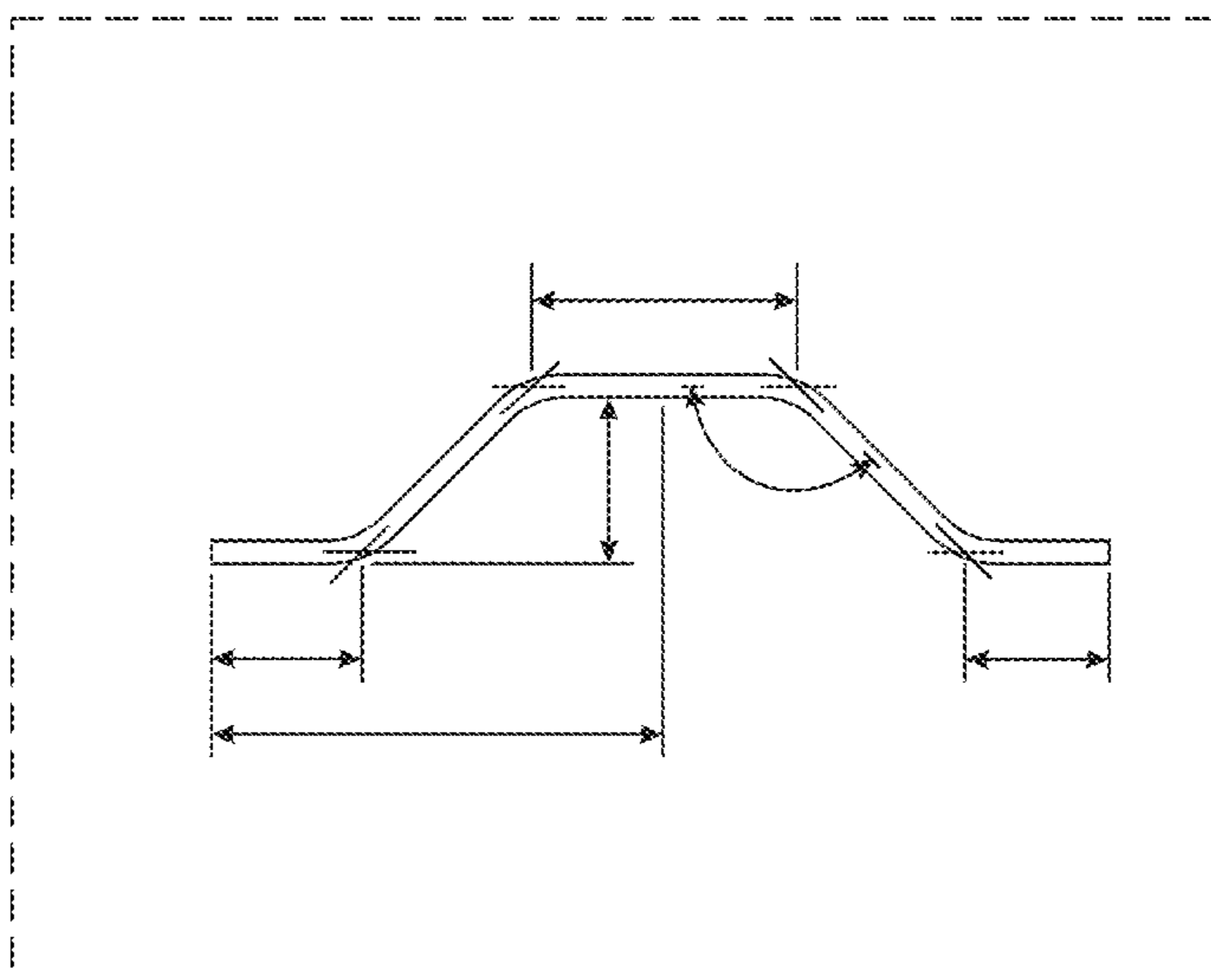
(57) **CLAIM**

The ornamental design for a display screen or a portion thereof with a graphical user interface, as shown and described.

**DESCRIPTION**

The FIGURE is a front view of an image of a graphical user interface for a display screen or a portion thereof. The outermost broken lines in the FIGURE showing a display screen or portion thereof illustrate portions of the article, and form no part of the claimed design.

**1 Claim, 1 Drawing Sheet**



(56)

References Cited

U.S. PATENT DOCUMENTS

D687,457 S	8/2013	Edwards	
D689,904 S	9/2013	Aoshima	
D693,829 S	11/2013	Edwards	
D694,764 S	12/2013	Talbot	
D694,766 S	12/2013	Edwards	
D694,768 S	12/2013	Edwards	
D694,772 S	12/2013	Edwards	
D695,751 S	12/2013	Edwards	
D695,752 S	12/2013	Edwards	
D695,753 S	12/2013	Edwards	
D697,531 S *	1/2014	Phelan	D14/489
D705,240 S	5/2014	Edwards	
D705,255 S *	5/2014	Gerssen	D14/489
D705,258 S	5/2014	Gerssen	
D705,259 S	5/2014	Gerssen	
D708,193 S *	7/2014	Agnew	D14/485
D710,863 S *	8/2014	Agnew	D14/485
D743,977 S *	11/2015	dela Cruz	D14/485
D759,076 S *	6/2016	Bain	D14/486
D763,288 S	8/2016	Mistry	
D764,491 S	8/2016	Green	
9,426,054 B2 *	8/2016	Dilmaghani	H04L 61/30
D768,193 S	10/2016	Choi	
D773,509 S *	12/2016	Bistoni	D14/491
D781,302 S	3/2017	Baguley	
D785,045 S	4/2017	Coffman	
D788,814 S	6/2017	Ashley-Rollman	
D790,572 S	6/2017	Subramanian	
D791,158 S	7/2017	Shiino	
D797,804 S	9/2017	Sakuma	
D801,351 S *	10/2017	Barni	D14/485
D802,017 S	11/2017	Dragoi	
D803,880 S	11/2017	Hohne	
D806,118 S	12/2017	Durrant	
9,911,123 B2	3/2018	Van Os	
D817,981 S *	5/2018	Gofberg	D14/486
D819,068 S	5/2018	Scheel	
D820,869 S	6/2018	Kumar	
9,999,019 B2	6/2018	Jeong	
D823,340 S	7/2018	Seo	
D823,884 S	7/2018	Stringham	
D824,401 S	7/2018	Ali	
D833,475 S	11/2018	Sakuma	
D835,116 S	12/2018	Taylor	
D836,652 S	12/2018	Fowler	
D836,672 S	12/2018	Gehiere	
D840,412 S *	2/2019	Donini	D14/485
D841,687 S *	2/2019	Müller	D14/488
D845,316 S	4/2019	Li	
D847,200 S	4/2019	Thiel	
D855,072 S	7/2019	Salisbury	
D855,077 S	7/2019	Sin	
D857,707 S	8/2019	Kennerly	
10,579,226 B2 *	3/2020	Leong	G01C 21/3664
D881,902 S *	4/2020	Wood	D14/485
D881,936 S	4/2020	Meixner	
D884,726 S *	5/2020	Regev	D14/486
D889,492 S	7/2020	Luchner	
D890,782 S *	7/2020	Ziezold	D14/485
D890,787 S *	7/2020	Wenning	D14/486
D892,825 S	8/2020	Bagaev	
10,778,534 B2 *	9/2020	Chitalia	H04L 41/22
D899,450 S *	10/2020	Clavin	D14/491
D904,429 S *	12/2020	Rothwell	D14/488
10,855,544 B1 *	12/2020	Teller	H04L 47/829
D916,904 S *	4/2021	Johnson	D14/490
D920,990 S *	6/2021	McClean	D14/485
D921,664 S	6/2021	Chou	
D921,665 S	6/2021	Wu	
D922,396 S *	6/2021	Chih	D14/491
D922,402 S	6/2021	Chiu	
D922,415 S	6/2021	Zhao	
D922,422 S	6/2021	Molander	
D923,637 S	6/2021	Elgena	
D926,786 S	8/2021	Ryu	
D926,788 S	8/2021	Ryu	
D926,816 S	8/2021	Lee	
D926,819 S	8/2021	Hiomura	
D927,513 S	8/2021	Protzman	
D927,541 S	8/2021	Engman	
D927,543 S	8/2021	Engman	
D927,544 S	8/2021	Engman	
D927,545 S	8/2021	Engman	
D934,889 S *	11/2021	Schuler	D14/485
2011/0173554 A1	7/2011	Niles	

\* cited by examiner

