



US00D958798S

(12) **United States Design Patent** (10) **Patent No.:** **US D958,798 S**
Akana et al. (45) **Date of Patent:** **** Jul. 26, 2022**

(54) **ELECTRONIC DEVICE**

(71) Applicant: **Apple Inc.**, Cupertino, CA (US)

(72) Inventors: **Jody Akana**, San Francisco, CA (US);
Bartley K. Andre, Palo Alto, CA (US);
Jeremy Bataillou, San Francisco, CA (US);
Daniel J. Coster, San Francisco, CA (US);
Daniele De Iuliis, San Francisco, CA (US);
M. Evans Hankey, San Francisco, CA (US);
Julian Hoenig, San Francisco, CA (US);
Richard P. Howarth, San Francisco, CA (US);
Jonathan P. Ive, San Francisco, CA (US);
Duncan Robert Kerr, San Francisco, CA (US);
Matthew Dean Rohrbach, San Francisco, CA (US);
Peter Russell-Clarke, San Francisco, CA (US);
Benjamin Andrew Shaffer, San Jose, CA (US);
Mikael Silvanto, San Francisco, CA (US);
Christopher J. Stringer, Woodside, CA (US);
Eugene Antony Whang, San Francisco, CA (US);
Rico Zörkendörfer, San Francisco, CA (US)

(73) Assignee: **Apple Inc.**, Cupertino, CA (US)

(**) Term: **15 Years**

(21) Appl. No.: **29/779,164**

(22) Filed: **Apr. 16, 2021**

Related U.S. Application Data

(63) Continuation of application No. 29/737,266, filed on Jun. 8, 2020, now Pat. No. Des. 916,711, which is a continuation of application No. 29/579,200, filed on Sep. 28, 2016, now Pat. No. Des. 888,721, which is a continuation of application No. 29/533,837, filed on Jul. 22, 2015, now Pat. No. Des. 772,885.

(51) **LOC (13) Cl.** **14-02**

(52) **U.S. Cl.**

USPC **D14/455**

(58) **Field of Classification Search**

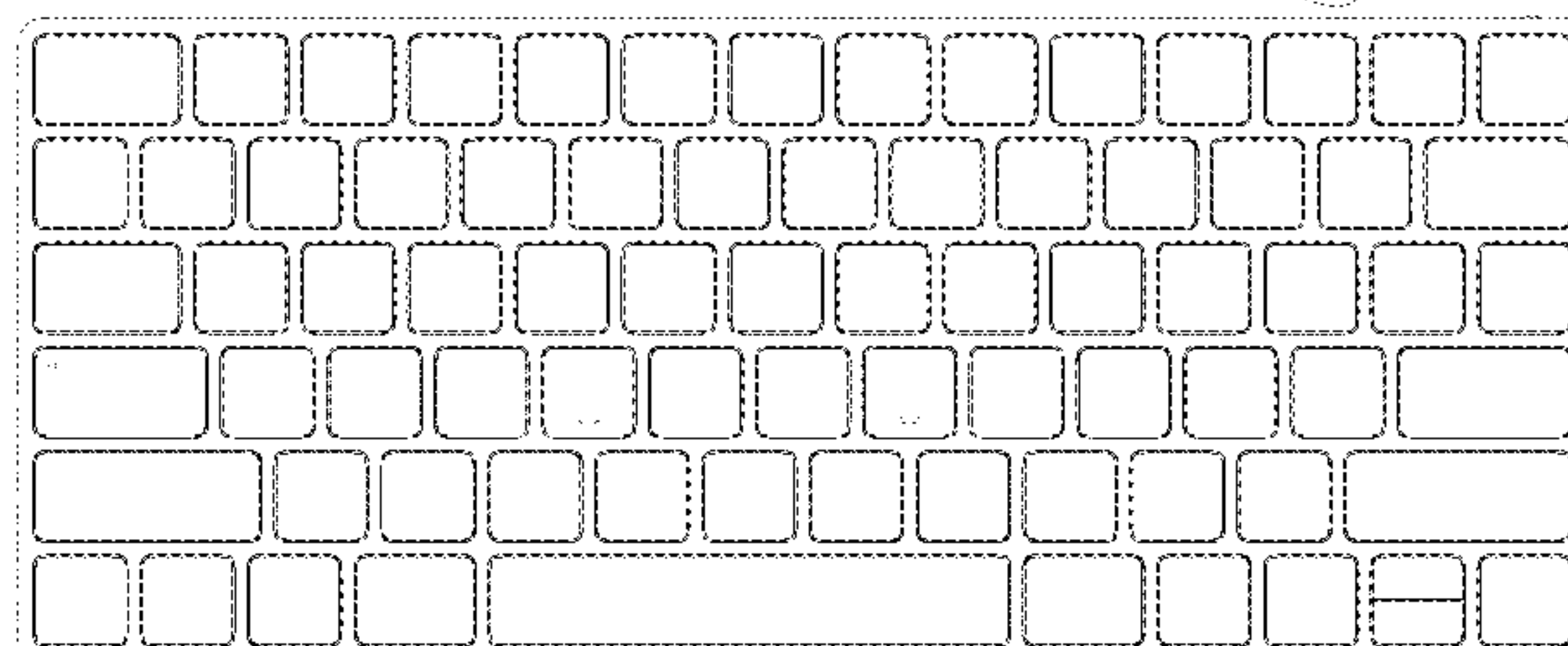
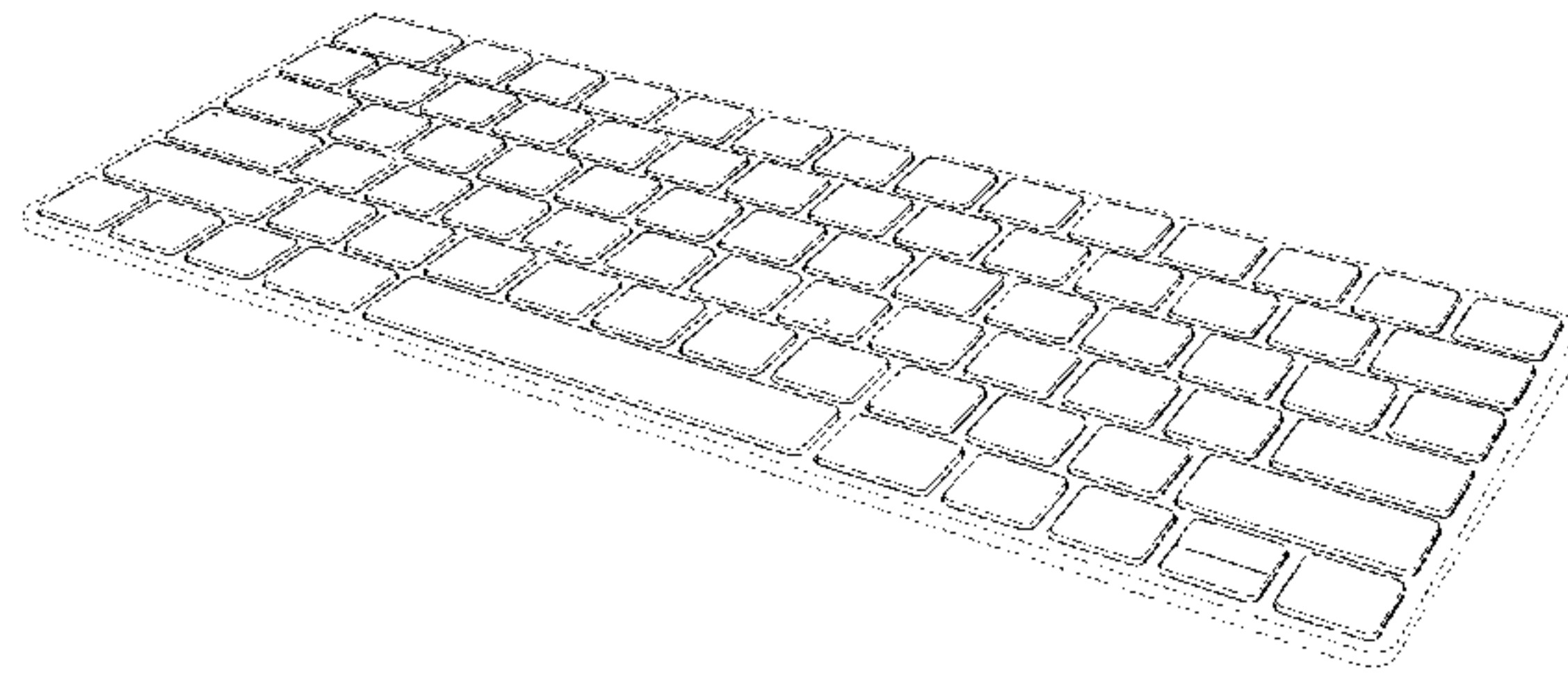
USPC D18/1, 2, 7, 11; D14/138, 247, 341-346,
D14/391-399, 455-456, 485, 491
CPC . H03M 11/00; H01H 13/14; B41J 5/00; B41J
5/12; H03K 17/94

See application file for complete search history.

(56) **References Cited**

U.S. PATENT DOCUMENTS

D212,865 S	12/1968	Bowman	
D293,467 S	12/1987	Elkerbout	
D303,111 S	8/1989	Paley	
D310,209 S	8/1990	Kasprzycki	
D316,549 S	4/1991	Hampf	
D334,398 S	3/1993	Conard	
D335,660 S	5/1993	Busch	
D338,452 S	8/1993	Allgeier	
D344,724 S	3/1994	Pangburn	
D346,161 S	4/1994	Oh et al.	
D348,875 S	7/1994	Wang	
5,439,304 A	8/1995	Phillips et al.	
D372,471 S	8/1996	Karidis et al.	
5,717,430 A	2/1998	Copland et al.	
D420,997 S	2/2000	Jordan	
D430,875 S	9/2000	Becroft	
D436,951 S	1/2001	Andresen	
D445,793 S	7/2001	Ji	
D446,520 S	8/2001	Ji	
D447,136 S	8/2001	Groves et al.	
D454,566 S	3/2002	Andre et al.	
D467,932 S	12/2002	Jones	
D470,150 S	* 2/2003	Lewis, Jr	D14/455
D485,271 S	1/2004	Kamegi	
D486,496 S	2/2004	Cookson	
D490,812 S	6/2004	Andre et al.	
D496,664 S	9/2004	Jones et al.	
D501,472 S	2/2005	Kumano	
D501,660 S	2/2005	Kumano	
D514,098 S	1/2006	Huang et al.	
D518,053 S	3/2006	Chen	
D526,319 S	8/2006	Ohno	
D529,910 S	10/2006	Ota	
7,167,158 B2	1/2007	Silverbrook	
D543,544 S	5/2007	Cheng	
D556,758 S	12/2007	Nguyen et al.	
D558,753 S	1/2008	Andre et al.	
D572,246 S	7/2008	Andre et al.	
D574,378 S	8/2008	Andre et al.	



D579,450 S 10/2008 Ozolins et al.
D580,433 S 11/2008 Chiang et al.
D582,423 S * 12/2008 Ikeda D14/401
D585,071 S * 1/2009 Ikeda D14/455
D588,126 S 3/2009 Chiang et al.
7,548,220 B2 6/2009 Silverbrook
7,567,221 B2 7/2009 Silverbrook
D598,451 S 8/2009 Andre et al.
D600,688 S 9/2009 Andre et al.
D603,861 S 11/2009 Hong et al.
D604,289 S 11/2009 Andre et al.
D604,294 S 11/2009 Andre et al.
D604,300 S 11/2009 Andre et al.
D604,736 S 11/2009 Andre et al.
D606,068 S 12/2009 Hong et al.
D606,534 S 12/2009 Hong et al.
D607,450 S 1/2010 Morishita et al.
D611,469 S 3/2010 Andre et al.
D612,843 S 3/2010 Andre et al.
D612,844 S 3/2010 Andre et al.
D613,284 S 4/2010 Solomon et al.
D613,298 S 4/2010 Wang et al.
D616,880 S 6/2010 Andre et al.
D616,881 S 6/2010 Andre et al.
D616,886 S 6/2010 Andre et al.
D621,402 S 8/2010 Andre et al.
D625,310 S 10/2010 Andre et al.
D625,717 S 10/2010 Andre et al.
D633,093 S 2/2011 Andre et al.
D633,498 S 3/2011 Andre et al.
D635,566 S 4/2011 Andre et al.
D639,807 S 6/2011 Buhler
D640,694 S 6/2011 Matias
D640,695 S 6/2011 Andre et al.
D641,021 S 7/2011 Andre et al.
D642,172 S 7/2011 Akana et al.
D642,560 S 8/2011 Akana et al.
D643,023 S * 8/2011 Lee D14/218
D649,549 S 11/2011 Andre et al.
D652,032 S 1/2012 Akana et al.
D655,704 S 3/2012 Akana et al.
D661,296 S 6/2012 Akana et al.
D662,497 S 6/2012 Akana et al.
D662,935 S 7/2012 Andre et al.
D664,144 S 7/2012 Akana et al.
D664,537 S 7/2012 Hu et al.
D667,404 S 9/2012 Akana et al.
D676,048 S 2/2013 McManigal et al.
D681,031 S 4/2013 Lee et al.
D685,784 S 7/2013 Ma
D687,030 S 7/2013 Andre et al.
D687,031 S 7/2013 Chen et al.
D691,129 S 10/2013 Akana et al.
D695,291 S 12/2013 Andre et al.
D696,244 S 12/2013 Akana et al.
D696,659 S 12/2013 Chen et al.
D696,660 S 12/2013 Chen et al.
D696,661 S 12/2013 Chen et al.
D706,772 S 6/2014 Koyama et al.
D708,179 S 7/2014 Andre et al.
D729,227 S 5/2015 Fukuoka
D735,196 S 7/2015 Son
9,128,532 B2 9/2015 Yu et al.
D740,831 S 10/2015 Colby
D745,521 S 12/2015 Jiang et al.
D757,022 S 5/2016 Dirksen
D758,377 S 6/2016 Warren et al.
D760,226 S 6/2016 Bailey et al.
D766,250 S * 9/2016 Lukic D14/455
D767,579 S 9/2016 Mo et al.
D772,861 S 11/2016 Akana et al.
D772,885 S 11/2016 Akana et al.
D772,886 S 11/2016 Akana et al.
D773,474 S 12/2016 Akana et al.
D775,630 S 1/2017 Starrett

D776,114 S 1/2017 Akana et al.
D776,115 S * 1/2017 Akana D14/456
D788,784 S * 6/2017 Akana D14/456
D789,941 S * 6/2017 Sauvage D14/455
D797,096 S 9/2017 Akana et al.
D820,260 S 6/2018 Ang
D829,210 S 9/2018 Buhler
D836,111 S 12/2018 Buhler
D888,721 S 6/2020 Akana et al.
D916,711 S * 4/2021 Akana D14/455
2011/0043985 A1 2/2011 Yang
2012/0099264 A1 4/2012 Degner et al.

FOREIGN PATENT DOCUMENTS

JP	D1412803	5/2011
KR	30-2008-0007143	10/2008
KR	3005641440000	6/2010

OTHER PUBLICATIONS

www.amazon.com, Apple, (Renewed) Apple Wireless Magic Keyboard 2, Silver (MLA22LL/A), <https://www.amazon.com/Apple-Wireless-Keyboard-Silver-MLA22LL/dp/B01NABDNPH?th=1>, Nov. 25, 2016 (Year: 2016).*

Sony Vaio X505, available at least as early as May 8, 2005.

Sony X505 Keyboard, available at least as early as May 8, 2005.

Sony VAIO PCG-4G1L, available at least as early as May 8, 2006.

Olidata Altro, available at least as early as Jun. 1, 2009.

Olidata Altro, <http://notebookitalia.it/olidata-altro--italian-style-notebook-culv-5674.html>, published Mar. 3, 2009.

Rudi, 13-inch MacBook Air has a modern interior, Nov. 2, 2011, prohardver, 2pgs.

Onkyo Corporation Japan, Keyboard, available as early as Jul. 22, 2015.

Lenovo Group Ltd., Keyboard, available as early as Jul. 22, 2015.

U.S. Appl. No. 29/361,525 to Jody Akana et al., titled "Electronic Device", filed May 12, 2010 (unpublished).

U.S. Appl. No. 29/476,137 to Jody Akana et al., titled "Electronic Device", filed Dec. 11, 2013 (unpublished).

* cited by examiner

Primary Examiner — Keli L Hill
Assistant Examiner — Harold E Blackwell, II
(74) Attorney, Agent, or Firm — Saidman DesignLaw Group, LLC

(57) CLAIM

The ornamental design for an electronic device, as shown and described.

DESCRIPTION

FIG. 1 is a top front perspective view of an electronic device showing our new design;
FIG. 2 is a top rear perspective view thereof;
FIG. 3 is a front view thereof;
FIG. 4 is a rear view thereof;
FIG. 5 is a left side view thereof;
FIG. 6 is a right side view thereof; and,
FIG. 7 is a top view thereof.
The dashed broken lines represent structure or features that form no part of the claimed design.

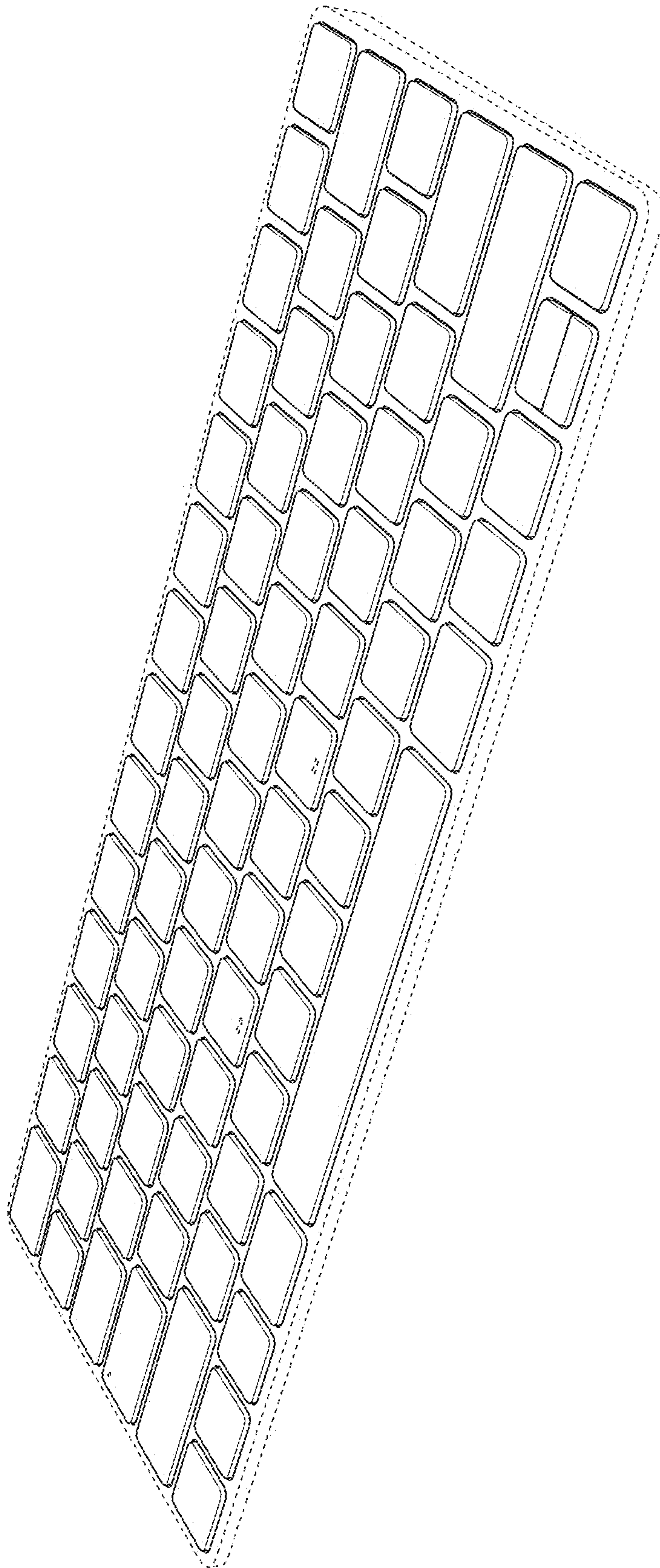


Fig. 1

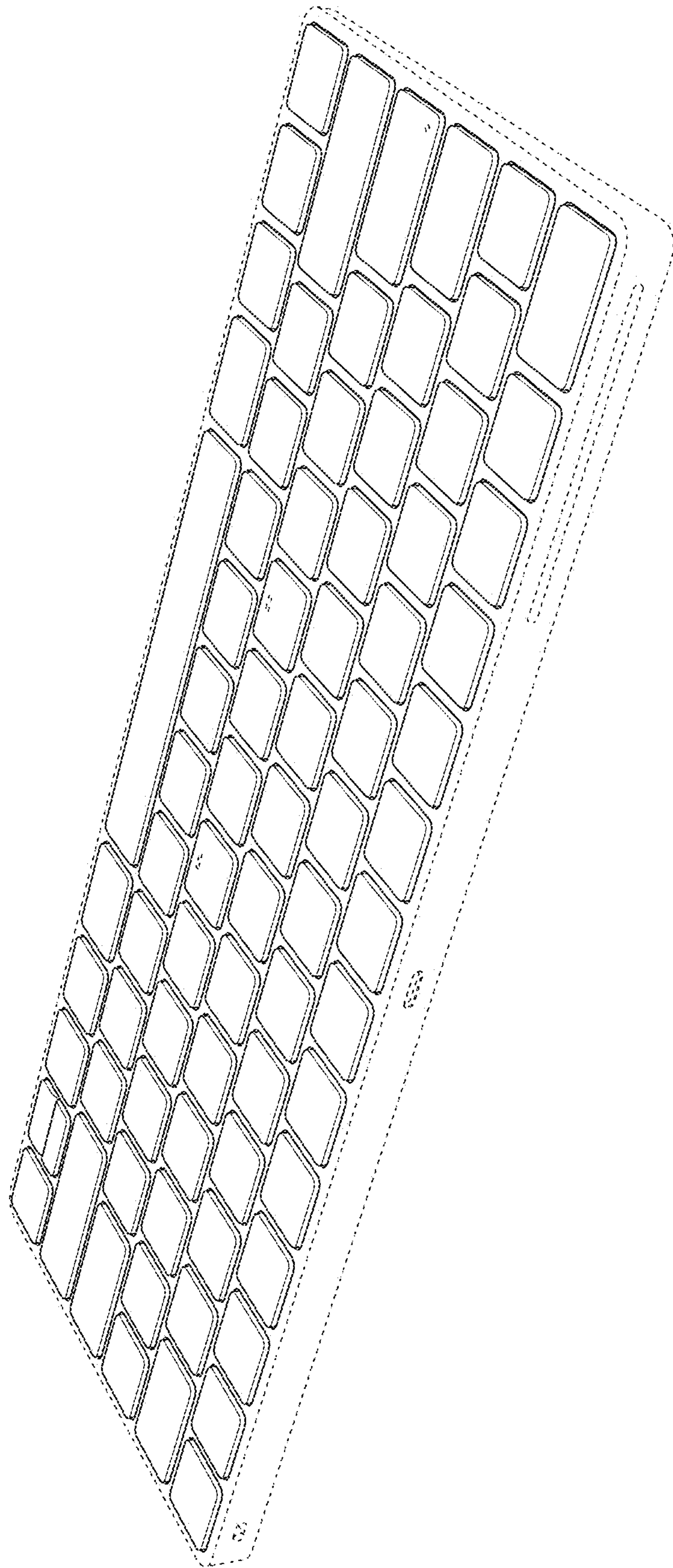


Fig. 2

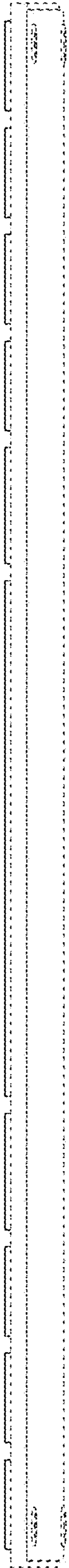


Fig. 3

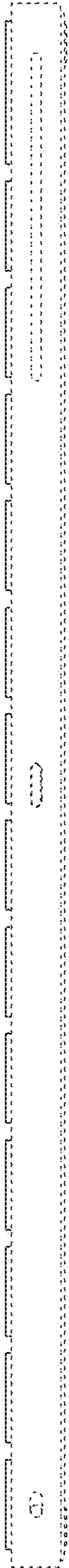


Fig. 4



Fig. 5

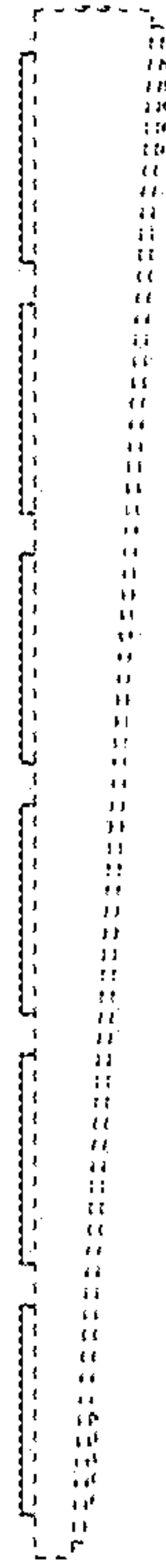


Fig. 6

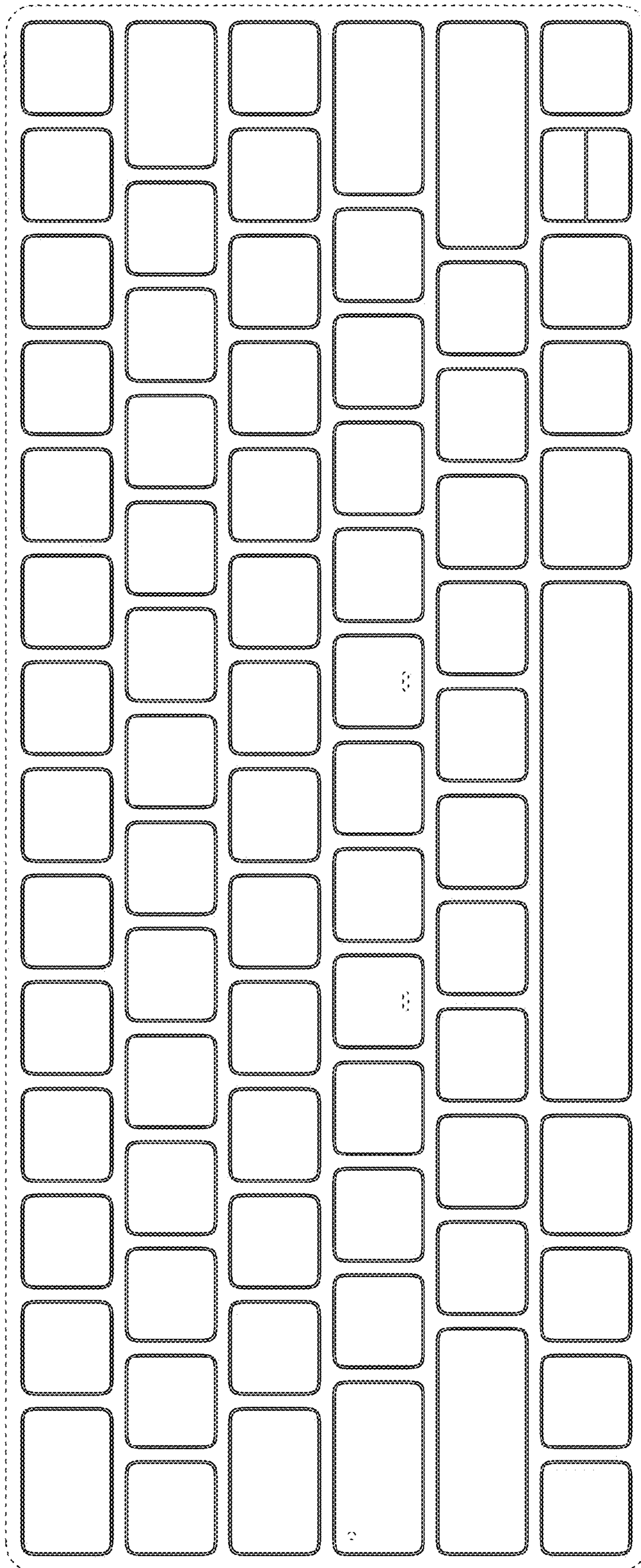


Fig. 7