



US00D958797S

(12) **United States Design Patent**
Zhong et al.

(10) **Patent No.:** **US D958,797 S**

(45) **Date of Patent:** **** *Jul. 26, 2022**

(54) **HAND STRAP**

(71) Applicant: **Getac Technology Corporation,**
Hsinchu County (TW)

(72) Inventors: **Shi-Liang Zhong,** Taipei (TW);
Cheng-Hung Chiang, Taipei (TW);
Kuang-Yeh Chang, Taipei (TW)

(73) Assignee: **GETAC TECHNOLOGY**
CORPORATION, Hsinchu County
(TW)

(*) Notice: This patent is subject to a terminal disclaimer.

(**) Term: **15 Years**

(21) Appl. No.: **29/771,620**

(22) Filed: **Feb. 24, 2021**

(30) **Foreign Application Priority Data**

Oct. 9, 2020 (CN) 202030597331.4

(51) **LOC (13) Cl.** **14-02**

(52) **U.S. Cl.**
USPC **D14/440; D14/253; D3/218**

(58) **Field of Classification Search**
USPC D14/251–253, 224, 224.1, 432–434, 447,
D14/451, 452; D12/415, 426.1, 223, 406,
D12/407; D3/218
CPC B60R 11/00; B60R 11/02; B60R 11/0241;
B60R 11/0252; B60R 2011/0003; B60R
2011/0005; B60R 2011/0008; H04M
1/04; H04M 1/11; F16M 11/00; F16M
11/04; F16M 11/041; F16M 11/06; H05K
5/0204; A45F 5/10

See application file for complete search history.

(56) **References Cited**

U.S. PATENT DOCUMENTS

D447,864 S * 9/2001 Casparian D3/218
D452,371 S * 12/2001 Fitzsimmons, Jr. D3/218

D493,280 S * 7/2004 Tabata D3/218
D503,038 S * 3/2005 Tabata D3/218
D685,376 S * 7/2013 Kim D14/439
D705,535 S * 5/2014 Stapleton D3/218
D709,509 S * 7/2014 Kim D14/440
D768,137 S * 10/2016 Ju D14/440
D808,395 S * 1/2018 Fenton D14/440
D826,236 S * 8/2018 Chang D14/439
D830,367 S * 10/2018 Chang D14/440
10,201,221 B1 * 2/2019 Chang A45F 5/10

(Continued)

Primary Examiner — Rebekah A Caruso

(74) *Attorney, Agent, or Firm* — Locke Lord LLP; Tim
Tingkang Xia, Esq.

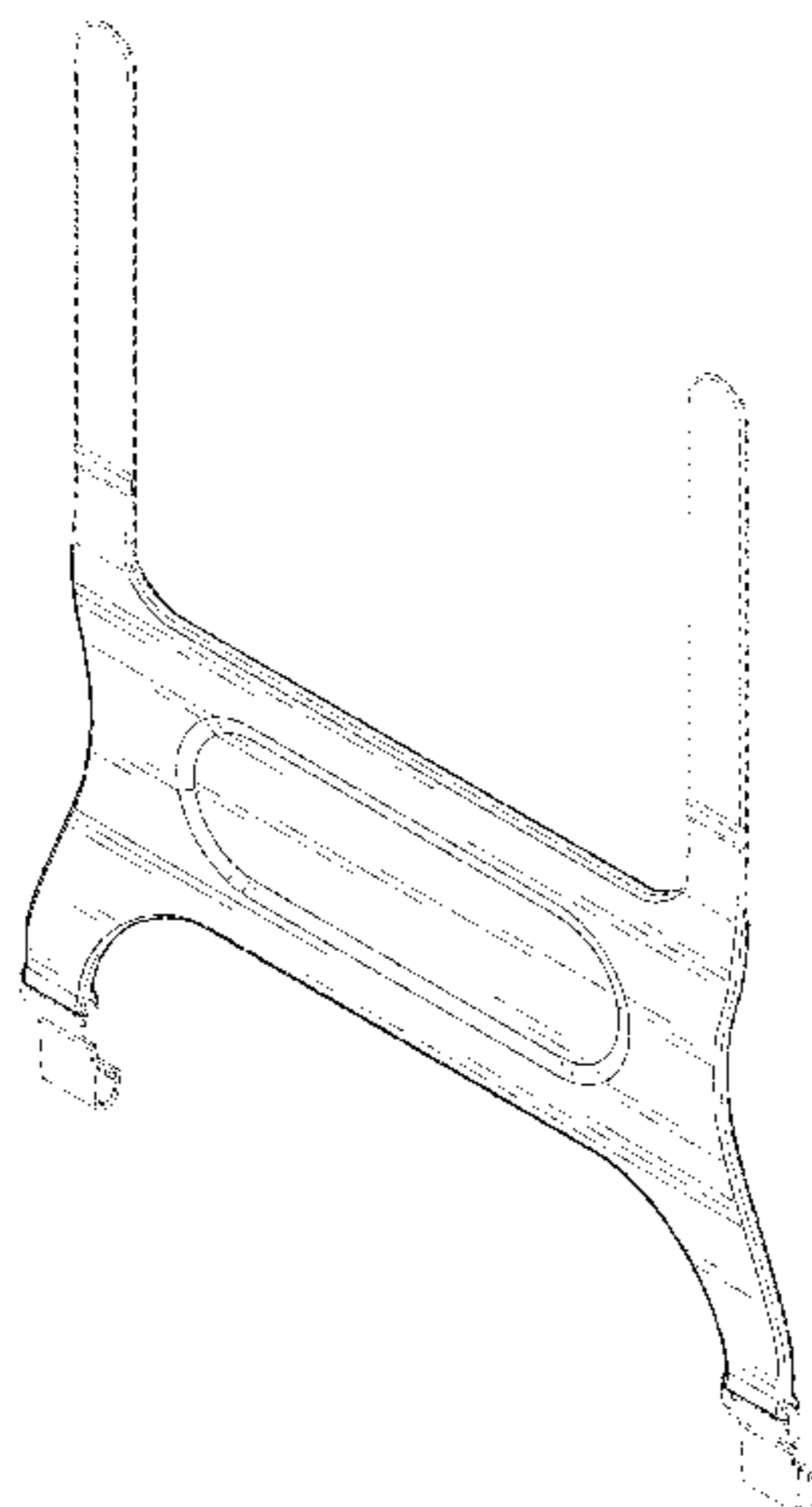
(57) **CLAIM**

The ornamental design for a hand strap, as shown and described.

DESCRIPTION

FIG. 1 is a front, top, right side perspective view of a hand strap showing my new design;
FIG. 2 is a front elevational view thereof;
FIG. 3 is a rear elevational view thereof;
FIG. 4 is a left side elevational view thereof;
FIG. 5 is a right side elevational view thereof;
FIG. 6 is a top plan view thereof;
FIG. 7 is a bottom plan view thereof;
FIG. 8 is a rear, bottom, left side perspective view thereof;
and,
FIG. 9 is a front perspective view of the hand strap shown in a reference view of usage.
The broken lines shown in the figures that are immediately adjacent to the shaded areas and define unshaded regions represent the bounds of the claim. All other broken lines, including the features beyond the broken line boundaries, are directed to environment. The broken lines form no part of the claimed design.

1 Claim, 7 Drawing Sheets



(56)

References Cited

U.S. PATENT DOCUMENTS

D845,955 S *	4/2019	Zhong	D14/439
D861,331 S *	10/2019	Appiah	D3/218
D879,100 S *	3/2020	Li	D14/432
D899,418 S *	10/2020	Kozelian, Jr.	D14/253
D899,430 S *	10/2020	Siedow	D14/440
D901,879 S *	11/2020	Barrons	D3/218
2009/0219677 A1 *	9/2009	Mori	A45F 5/00 361/679.03

* cited by examiner

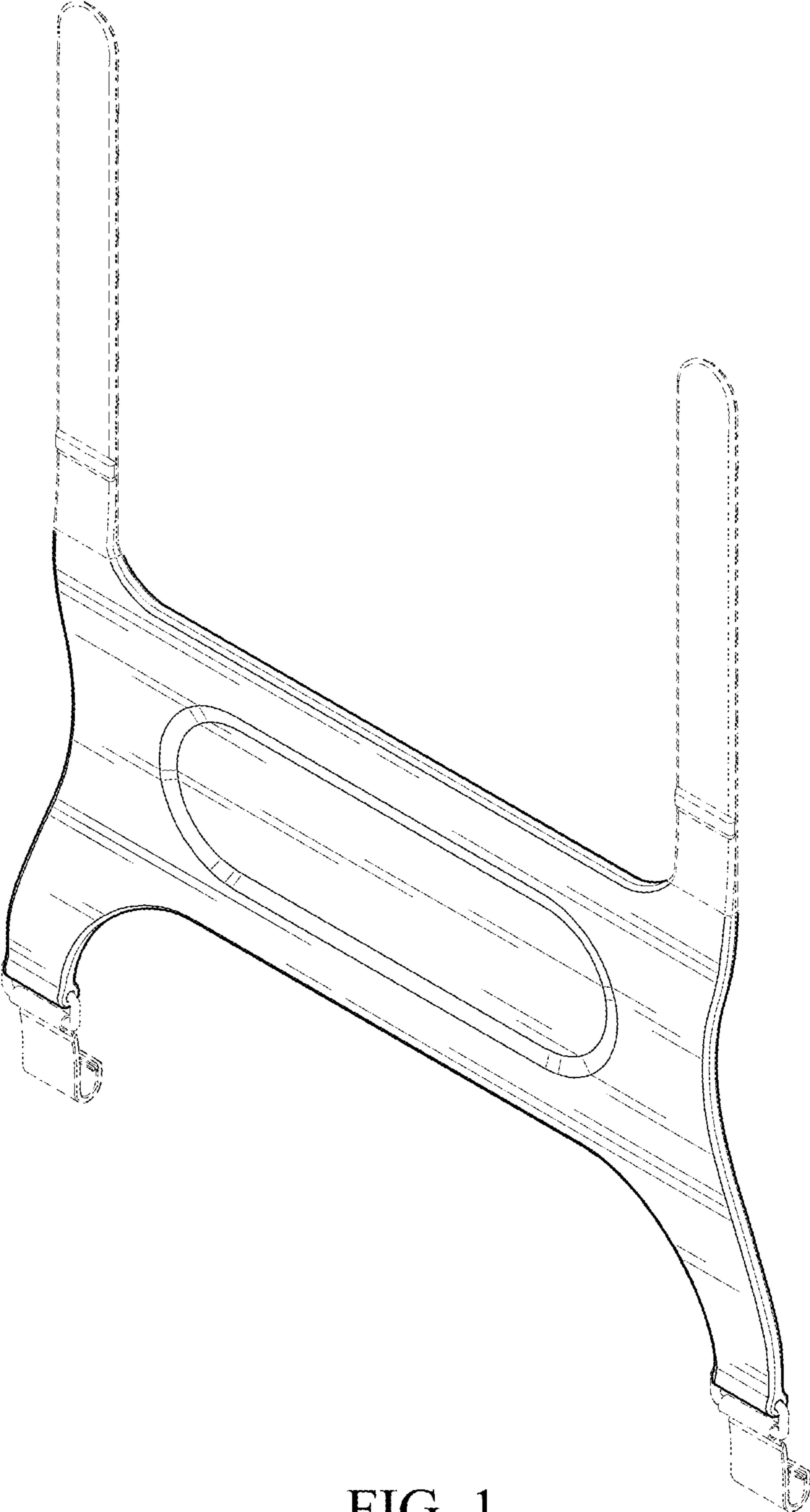


FIG. 1

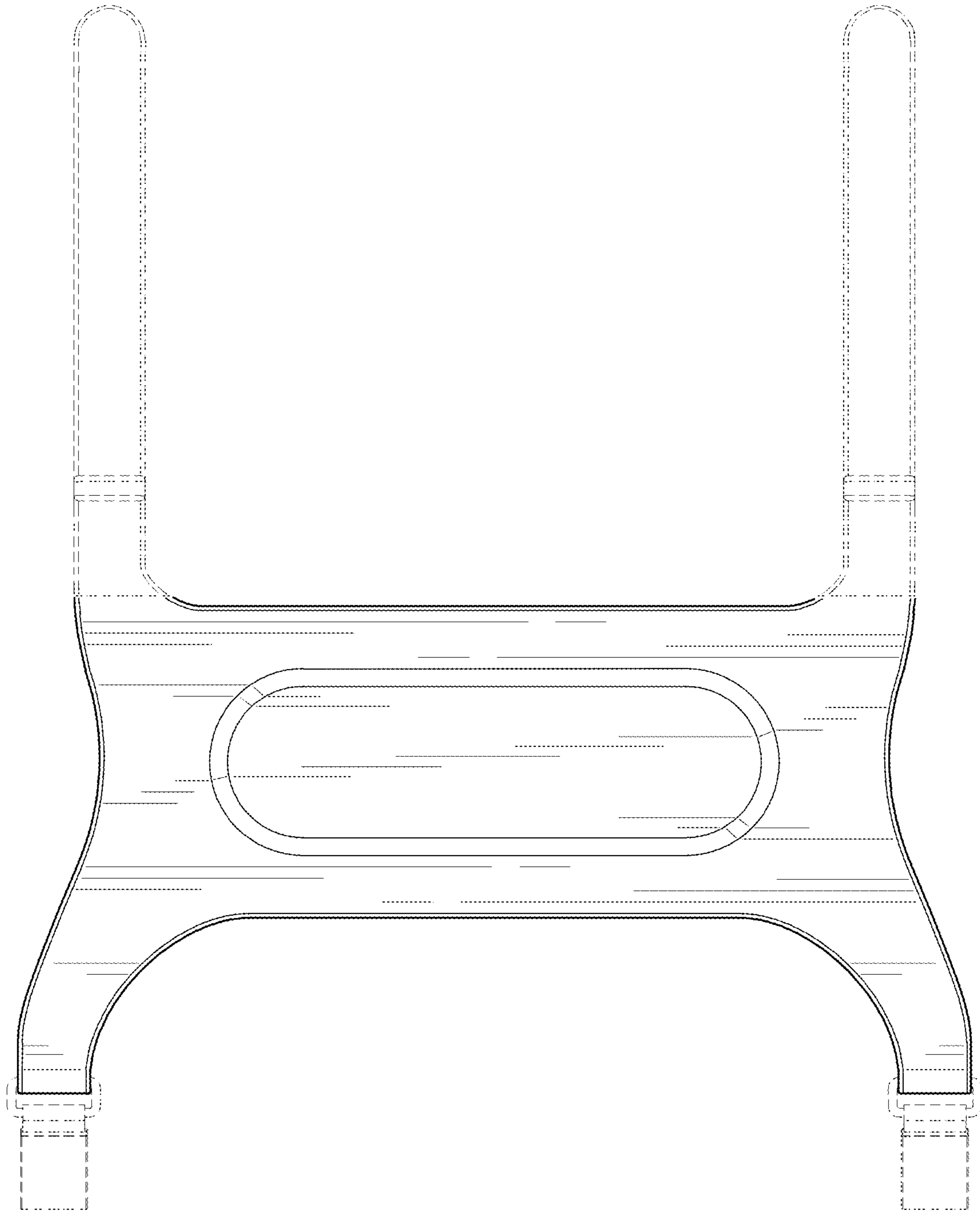


FIG. 2

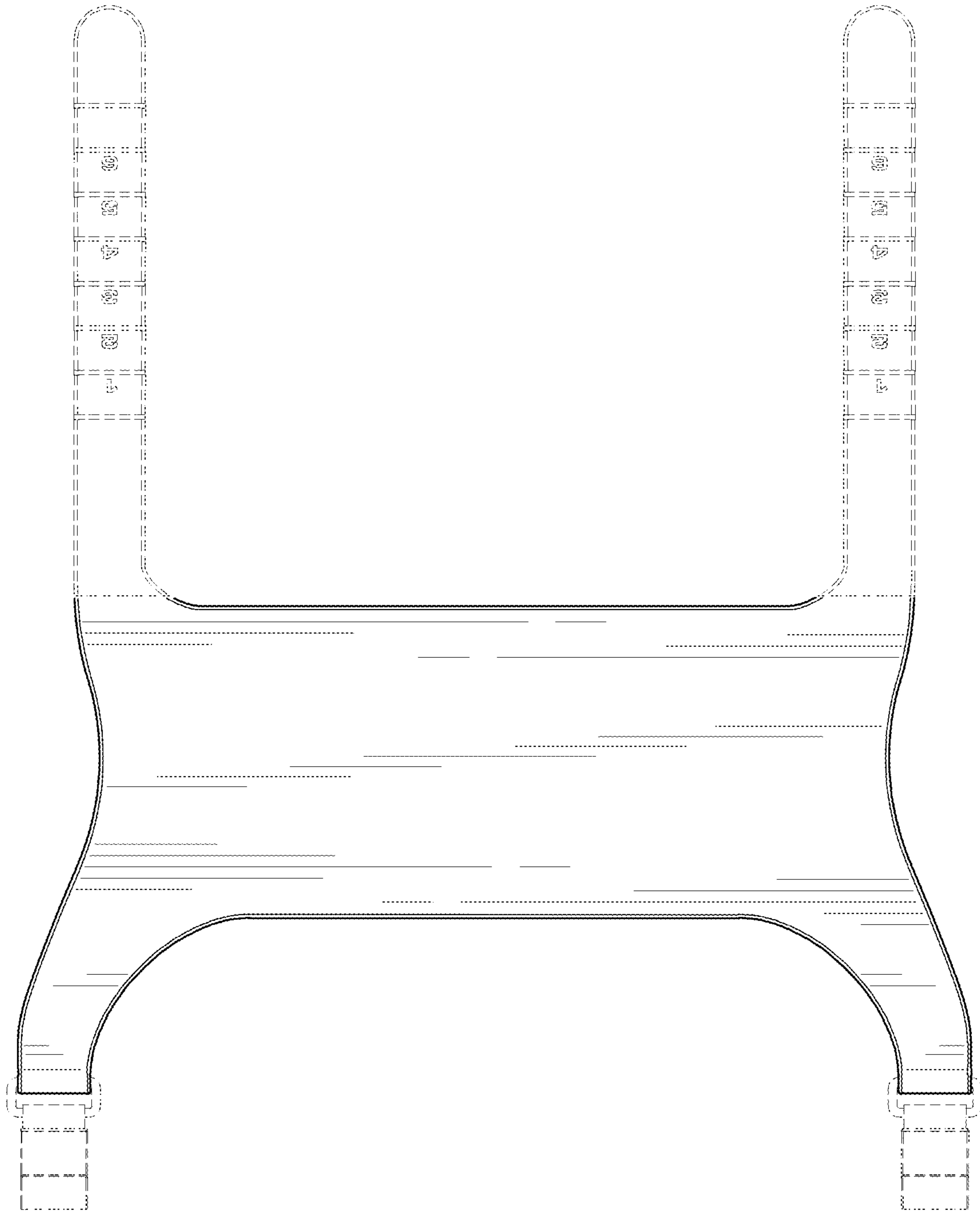


FIG. 3



FIG. 4

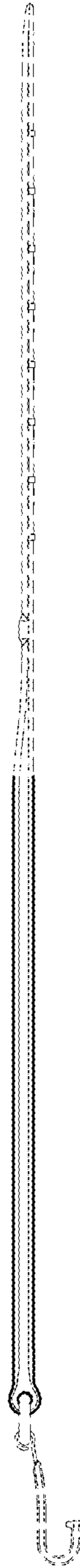


FIG. 5

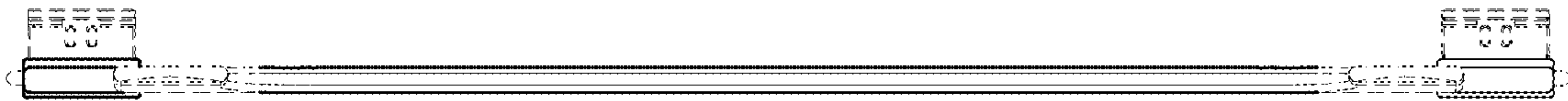


FIG. 6

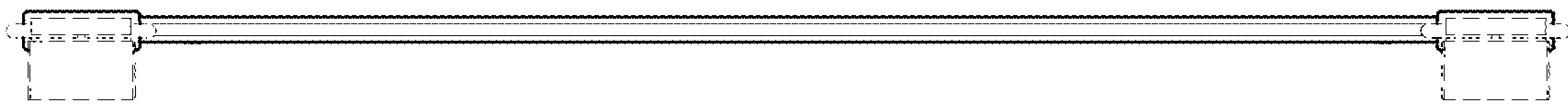


FIG. 7

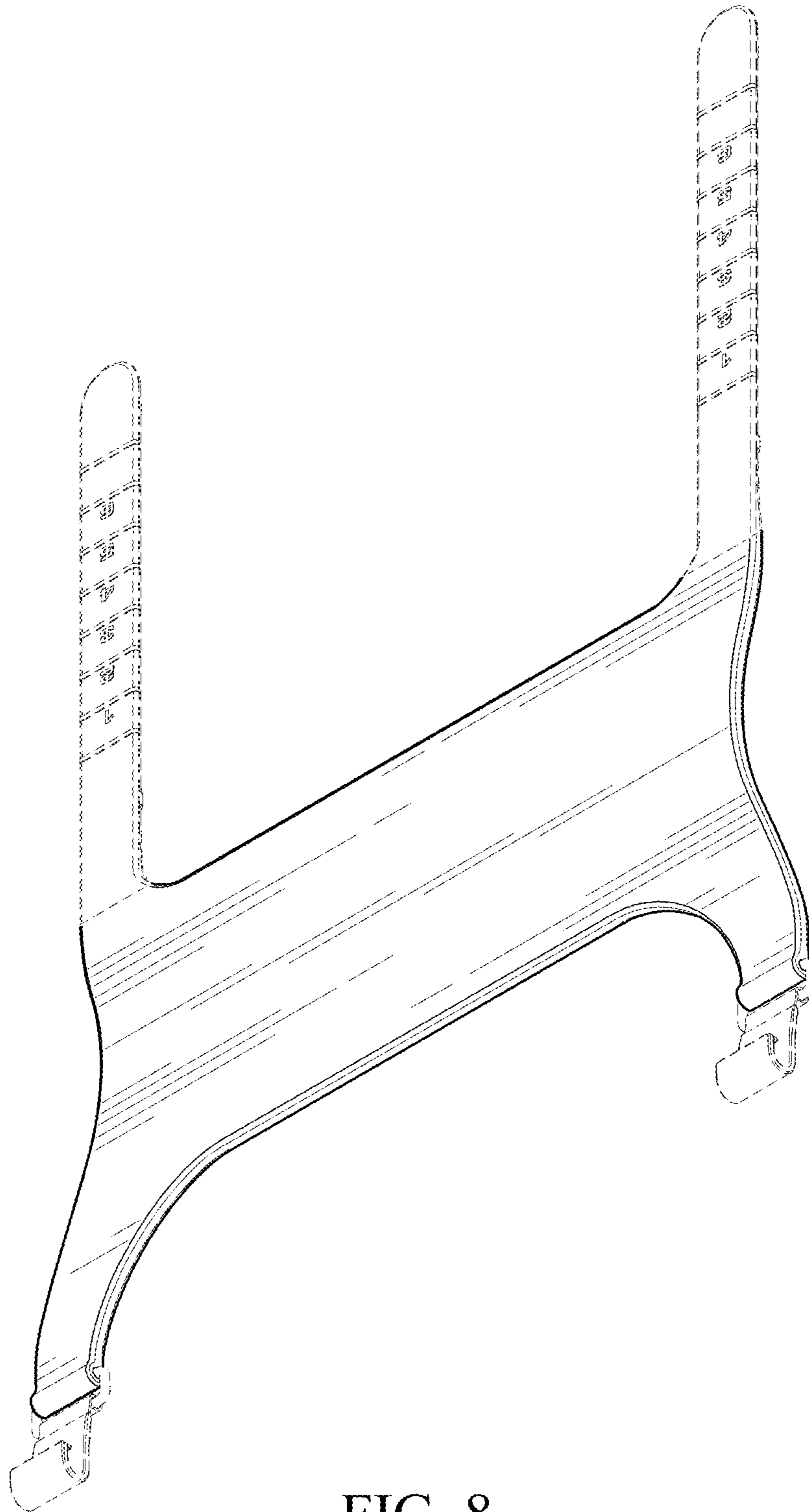


FIG. 8

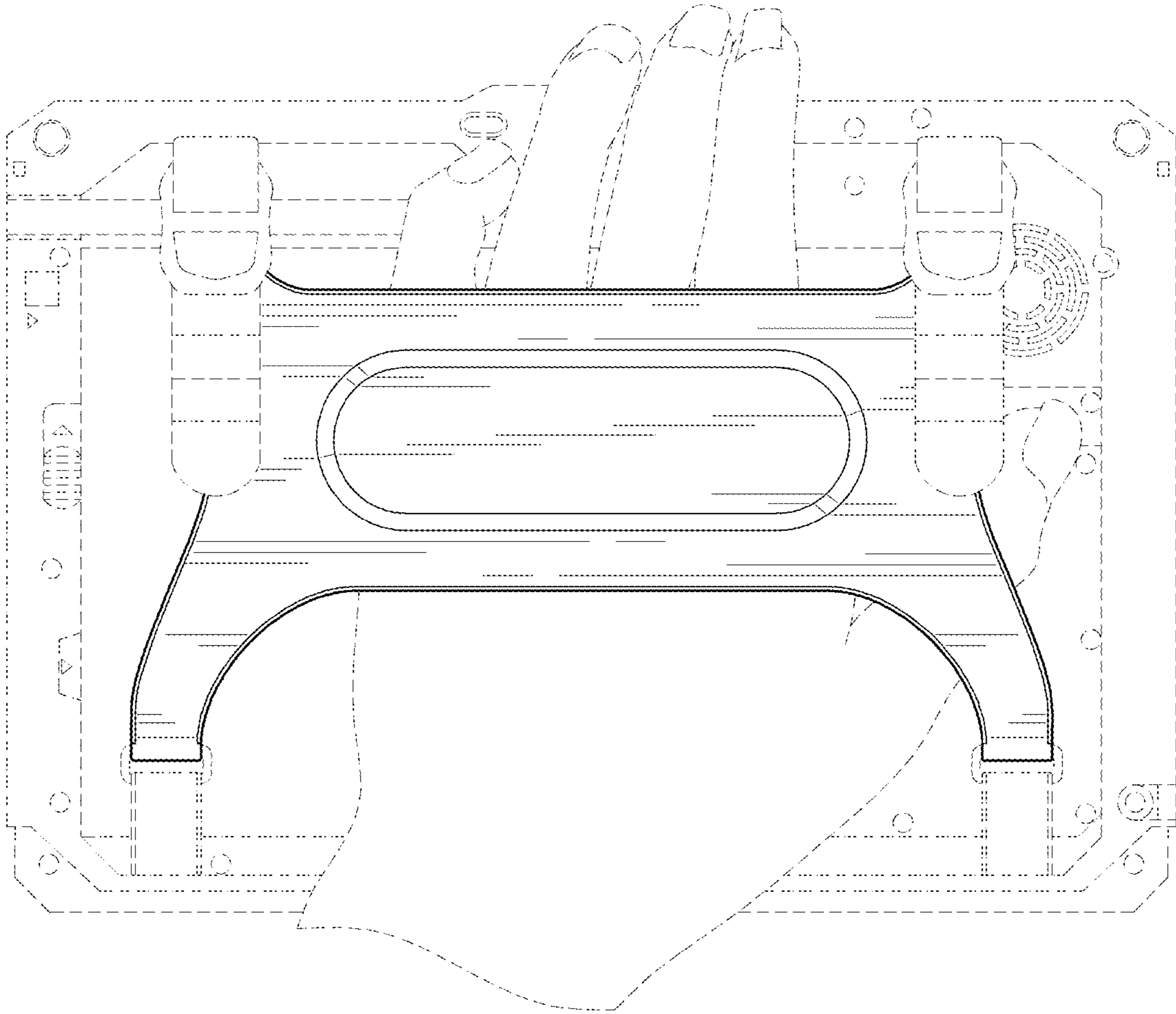


FIG. 9