



US00D958795S

(12) **United States Design Patent**
Cheng

(10) **Patent No.:** **US D958,795 S**
(45) **Date of Patent:** **** Jul. 26, 2022**

- (54) **COVER CASE FOR A TABLET**
- (71) Applicant: **SHENZHEN HUILITENG ELECTRONIC COMMERCE CO., LTD**, Shenzhen (CN)
- (72) Inventor: **Li Cheng**, Shenzhen (CN)
- (**) Term: **15 Years**
- (21) Appl. No.: **29/709,427**
- (22) Filed: **Oct. 15, 2019**
- (30) **Foreign Application Priority Data**

Sep. 20, 2019 (EM) 006886032

(51) **LOC (13) Cl.** **14-02**

(52) **U.S. Cl.**
USPC **D14/440**

(58) **Field of Classification Search**
USPC D14/217, 238.1, 240, 248, 250, 251–253, D14/439, 440, 447; D13/107–108, 103, D13/119; D3/201, 218, 247, 269, 273, D3/301, 303

CPC H04B 1/3888; H04M 1/0283; H04M 1/0202; A45C 1/06; A45C 11/00; A45C 13/02; A45C 2011/002; A45F 2005/026; A45F 2200/0525; A45F 2200/0516

See application file for complete search history.

(56) **References Cited**

U.S. PATENT DOCUMENTS

- D733,154 S * 6/2015 Armstrong D14/440
- 9,204,697 B2 * 12/2015 Yang G06F 1/1626
- D763,853 S * 8/2016 Pearce D14/440
- D806,083 S * 12/2017 Armstrong D14/440
- D830,368 S * 10/2018 Zhang D14/440
- D837,219 S * 1/2019 Gao D14/440

- D847,817 S * 5/2019 Cheng D14/440
- D851,092 S * 6/2019 Tan D14/440
- D852,802 S * 7/2019 Gao D14/440
- D853,402 S * 7/2019 Yang D14/440
- D854,023 S * 7/2019 Yang D14/440
- D868,790 S * 12/2019 Weng D14/440
- D874,465 S * 2/2020 Poon D14/440
- D879,788 S * 3/2020 Gao D14/440
- D883,987 S * 5/2020 Cheng D14/440
- D891,435 S * 7/2020 Cheng D14/440
- D898,036 S * 10/2020 Cheng D14/440
- 2020/0304163 A1 * 9/2020 Cheng H04B 1/3888

OTHER PUBLICATIONS

“Timecity iPad 10.2 Case [. . .]” [online]. Timecity. [Product first available on Sep. 29, 2019]. Retrieved from the Internet: <<https://www.amazon.com/dp/B07YHT4VFP>>.*

* cited by examiner

Primary Examiner — Mojtaba Tehrani

(57) **CLAIM**

The ornamental design for a cover case for a tablet, as shown and described.

DESCRIPTION

FIG. 1 is a rear elevational view of a cover case for a tablet, showing my new design;

FIG. 2 is a left side elevational view thereof;

FIG. 3 is a front elevational view thereof;

FIG. 4 is a right side elevational view thereof;

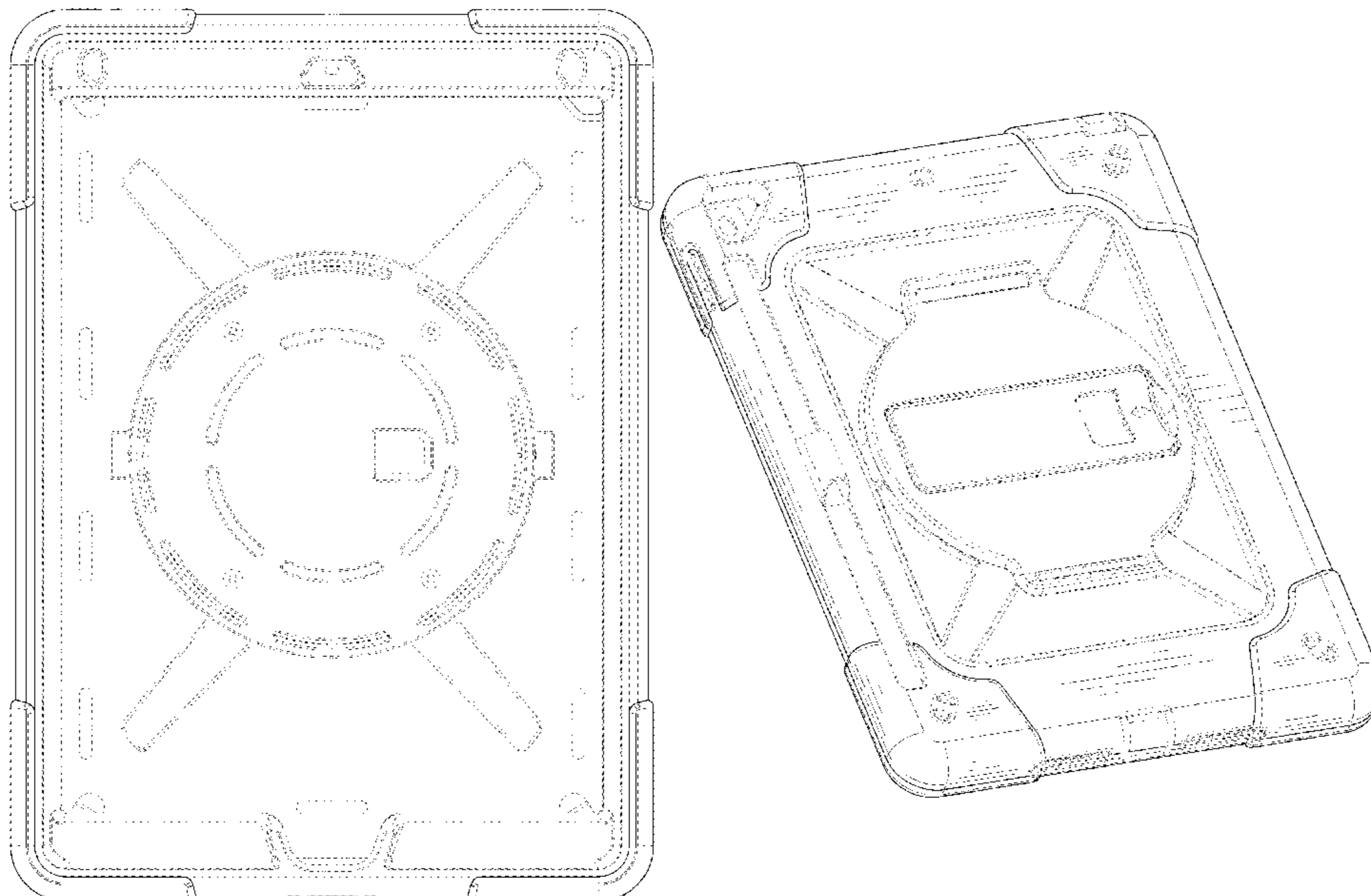
FIG. 5 is a bottom plan view thereof;

FIG. 6 is a top plan view thereof; and,

FIG. 7 is a rear perspective view thereof.

The broken lines in the drawings depict unclaimed portion of the case only and forms no part of the claimed design.

1 Claim, 7 Drawing Sheets



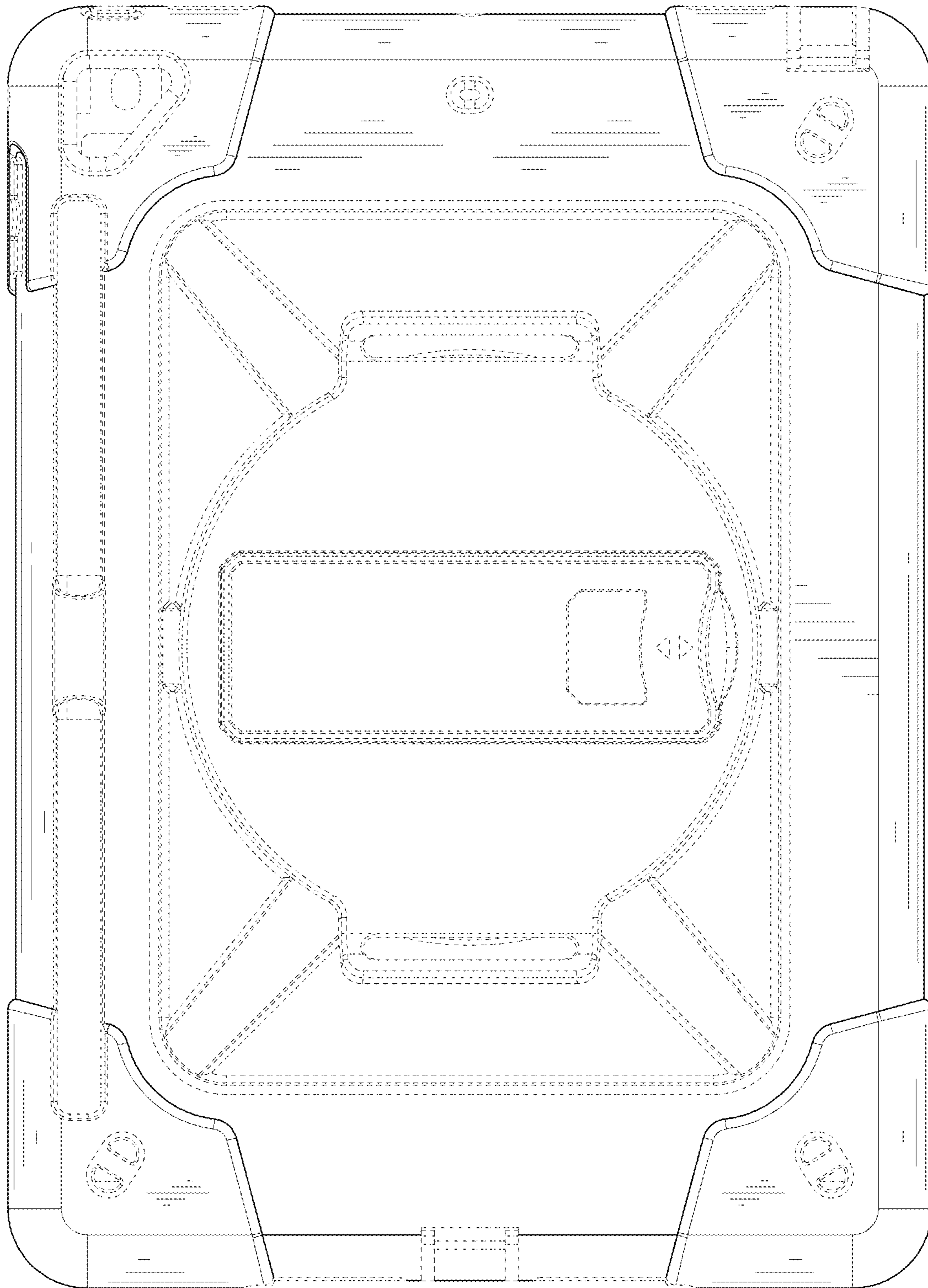


FIG. 1

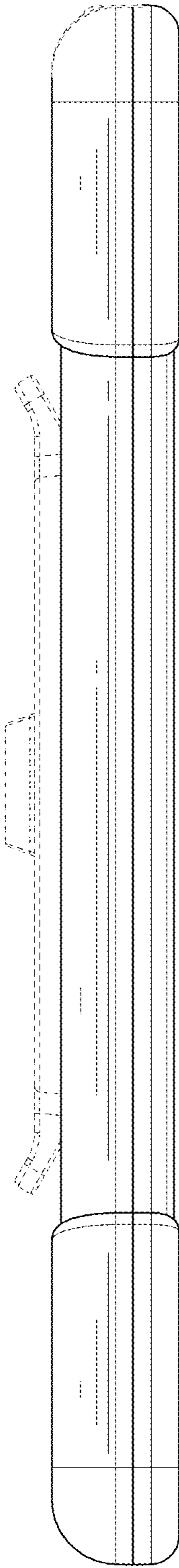


FIG. 2

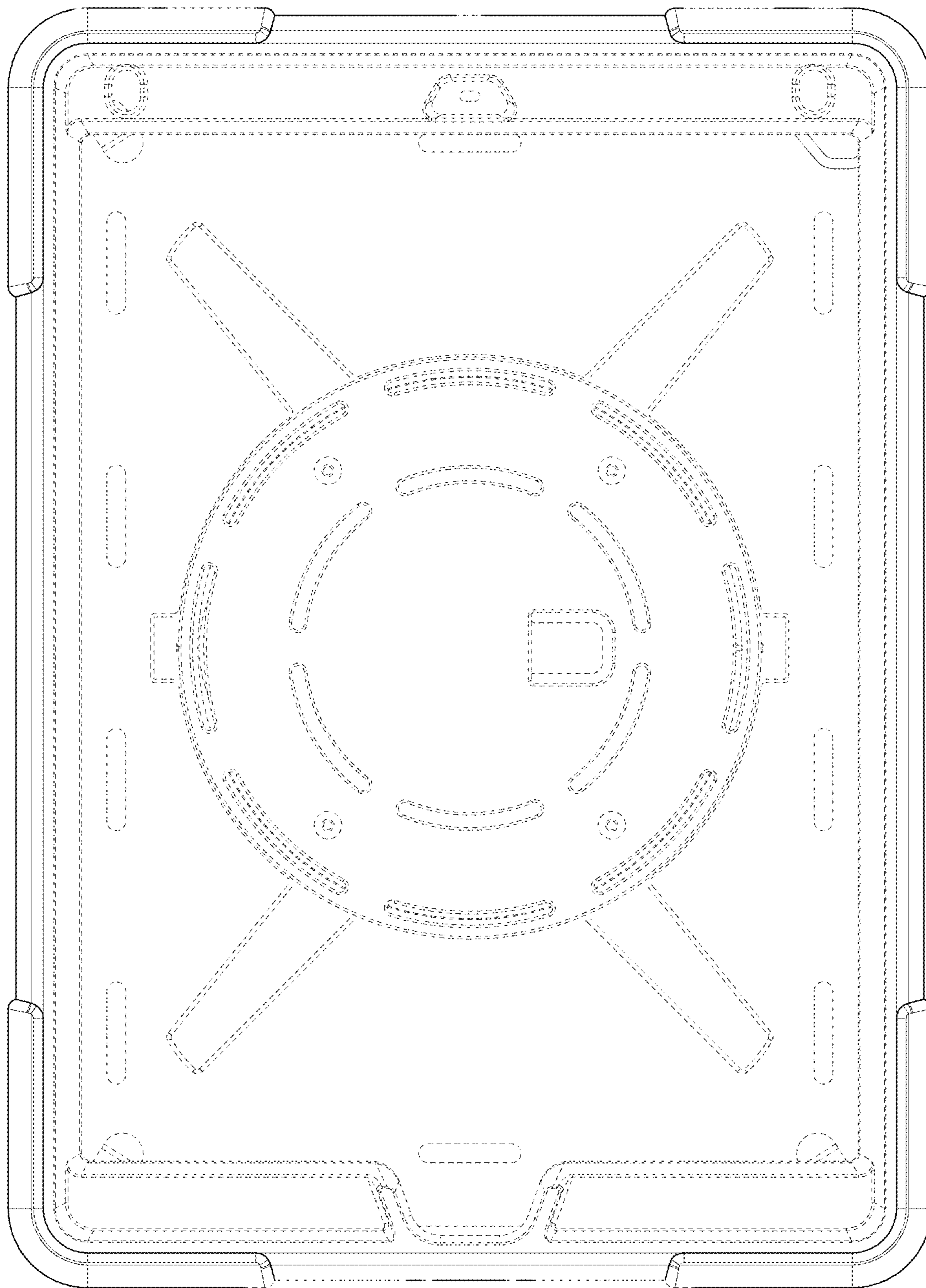


FIG. 3

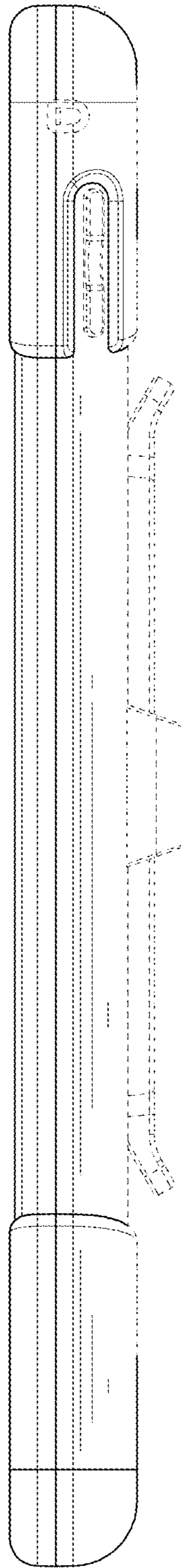


FIG. 4

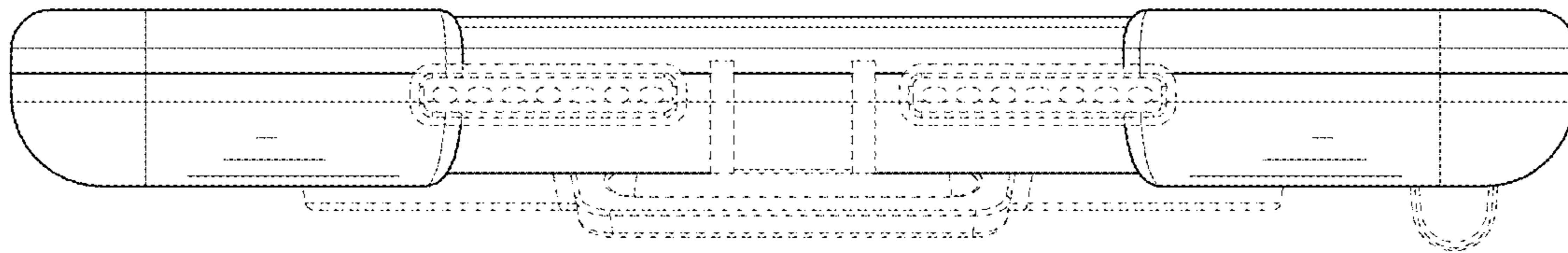


FIG. 5

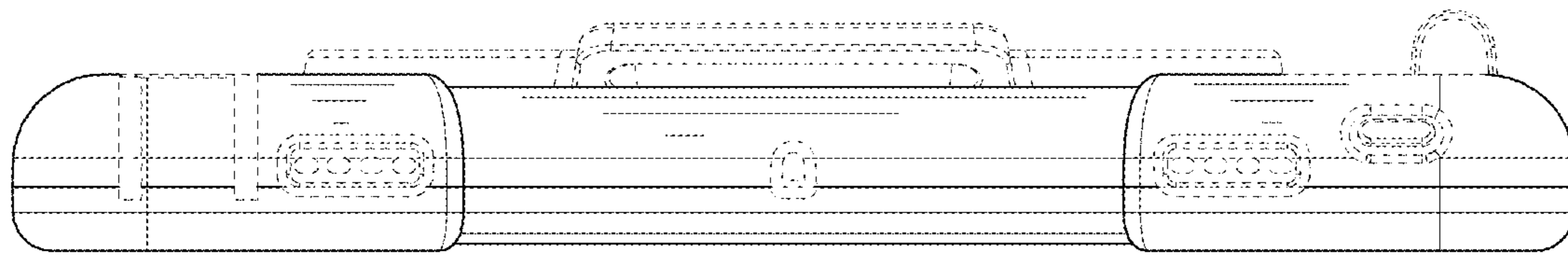


FIG. 6

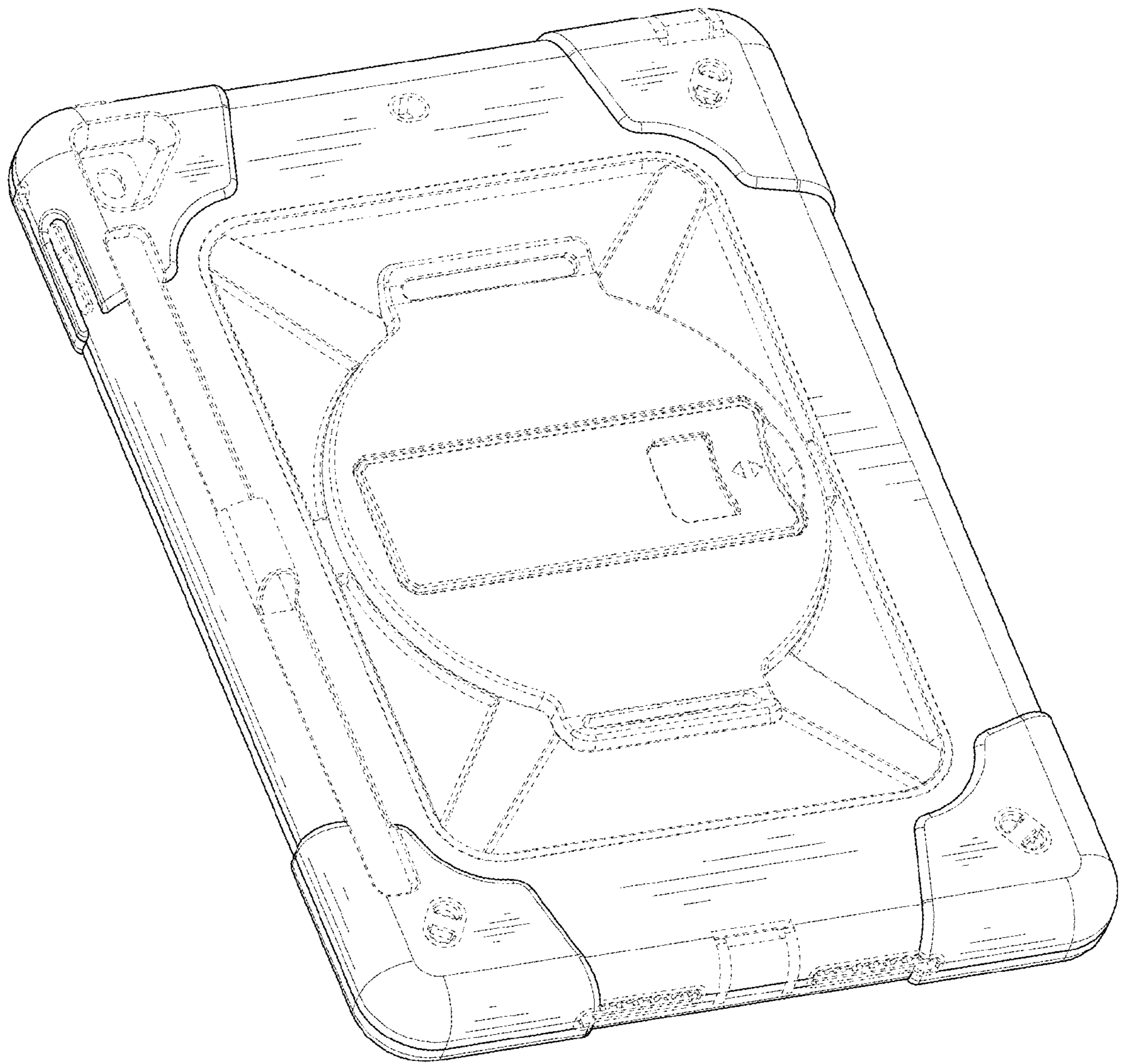


FIG. 7