



US00D958792S

(12) **United States Design Patent**
Smoot et al.

(10) **Patent No.:** **US D958,792 S**
(45) **Date of Patent:** **** Jul. 26, 2022**

(54) **HANDHELD PICTURE READER**

(71) Applicant: **DISNEY ENTERPRISES, INC.**,
Burbank, CA (US)
(72) Inventors: **Lanny S. Smoot**, Thousand Oaks, CA
(US); **Robert J. Bristow**, Shadow Hills,
CA (US)
(73) Assignee: **Disney Enterprises, Inc.**, Burbank, CA
(US)
(**) Term: **15 Years**

(21) Appl. No.: **29/778,501**
(22) Filed: **Apr. 13, 2021**
(51) **LOC (13) Cl.** **14-02**
(52) **U.S. Cl.**
USPC **D14/411**
(58) **Field of Classification Search**
USPC D14/155–159, 160–173, 187–188,
D14/189–198, 203.1–203.8, 204–216,
D14/217–222, 225–229, 257–258,
D14/400–416, 420, 426–431, 496,
D14/900–902; D16/131–133, 135,
D16/221–222, 227, 230–231, 234;
D18/4.1–4.6; D21/324–332, 333, 403,
D21/477, 512–513, 516, 566;
D12/174–180
CPC H04R 1/02; H04R 1/021; H04R 1/025;
H04R 1/026; H04R 1/028; H04R 1/06;
H04R 1/105; H04R 1/323; H04R 1/403;
H04R 1/2803; H04R 1/2834
See application file for complete search history.

(56) **References Cited**

U.S. PATENT DOCUMENTS

D159,719 S * 8/1950 Davidson D16/132
D196,531 S * 10/1963 Hoogesteger D16/132
D219,623 S * 12/1970 Bushnell D16/132
D228,027 S * 7/1973 Heckel et al. D16/132

(Continued)

FOREIGN PATENT DOCUMENTS

CN 305956690 * 7/2020
CN 306543675 * 5/2021

(Continued)

OTHER PUBLICATIONS

DINGYI Portable USB Smart Book & Document Camera Scanner,
date first available: Jul. 21, 2020, [retrieved Feb. 8, 2022], Retrieved
from Internet, URL: <https://www.amazon.com/dp/B08DCC6XP3/ref=sspa_dk_detail_6?psc=1&pf_rd_p=b9951ce4-3bd8-4b04-9123-0fda35d6155e&pd_rd_wg=sBx3E&pf_%E2%80%A6> (Year: 2020).*

(Continued)

Primary Examiner — Barbara Fox

Assistant Examiner — Aram Kwon

(74) *Attorney, Agent, or Firm* — Snell & Wilmer L.L.P.;
Kent A. Lembke

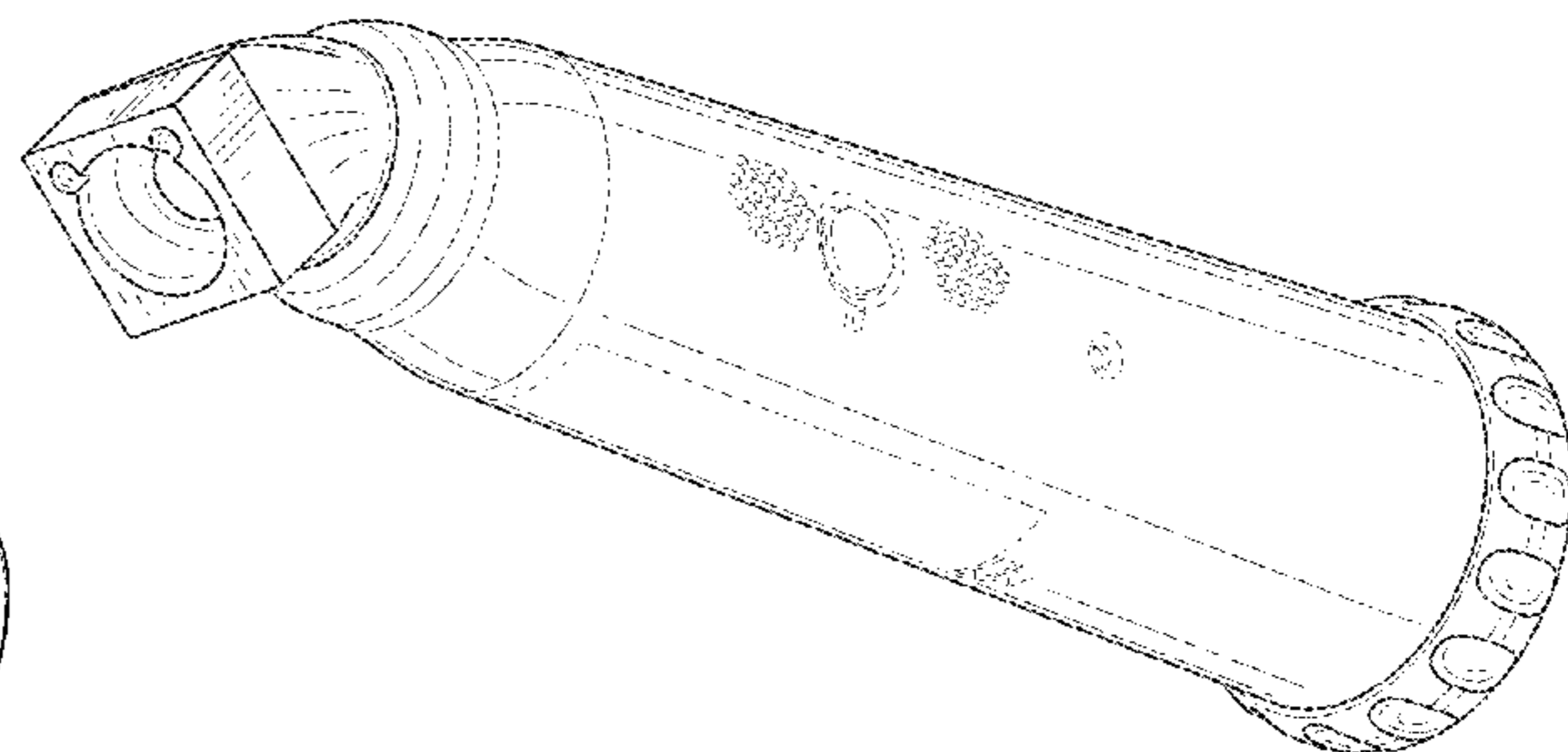
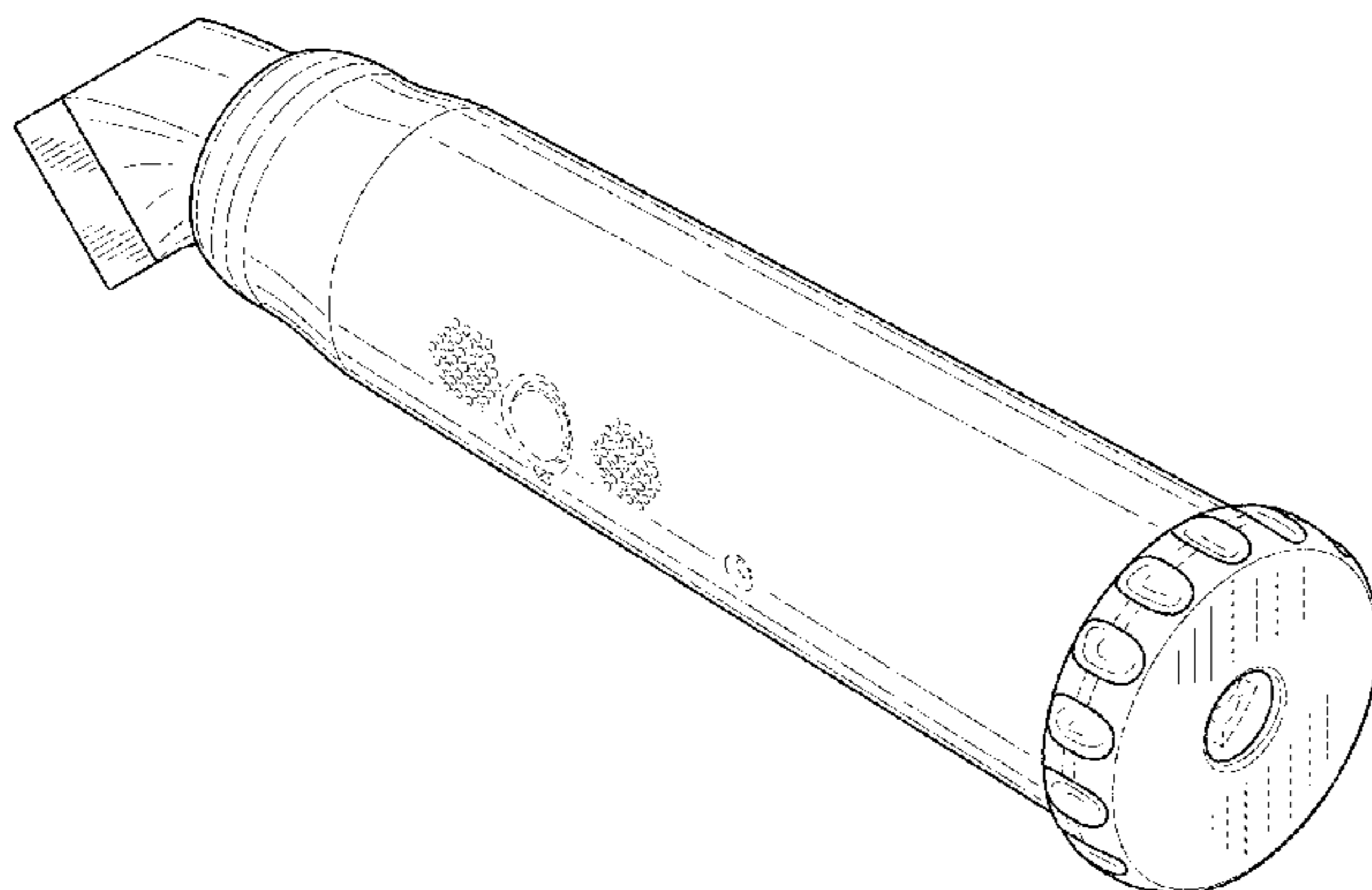
(57) **CLAIM**

The ornamental design for a handheld picture reader, as
shown and described.

DESCRIPTION

FIG. 1 is a bottom perspective view of a handheld picture
reader of the claimed design.
FIG. 2 is a top perspective view thereof.
FIG. 3 is left side view thereof.
FIG. 4 is a right side view thereof.
FIG. 5 is a bottom view thereof.
FIG. 6 is a top view thereof.
FIG. 7 is a rear view thereof; and,
FIG. 8 is a front view thereof.
The broken lines shown in the figures depict portions of the
handheld picture reader that form no part of the claimed
design.

1 Claim, 7 Drawing Sheets



(56)

References Cited

U.S. PATENT DOCUMENTS

3,918,028 A * 11/1975 Humphrey G06V 10/421
235/472.01
D285,698 S * 9/1986 Ogasawara D16/132
D285,802 S * 9/1986 Ogasawara D16/132
D374,021 S * 9/1996 Meinzer D16/132
D374,022 S * 9/1996 Meinzer D16/132
D413,871 S * 9/1999 McCormick D14/411
5,962,836 A * 10/1999 Tani G06K 7/10881
235/462.48
D549,229 S * 8/2007 Chiang D14/431
D550,263 S * 9/2007 Zhou D16/132
D646,705 S * 10/2011 Wu D16/132
D675,239 S * 1/2013 Wunnicke D16/132
D685,832 S * 7/2013 Wunnicke D16/132
D695,326 S * 12/2013 Hoelbl D16/132
D695,327 S * 12/2013 Hoelbl D16/132
D705,840 S * 5/2014 Iwabuchi G02B 23/16
D16/132
D724,129 S * 3/2015 Marsiglia D16/132
D732,736 S * 6/2015 Hefetz D28/10
D762,645 S * 8/2016 Cavallaro D14/402
D779,460 S * 2/2017 Turksu D14/218
D816,795 S * 5/2018 Vogl D16/132
D817,376 S * 5/2018 Vogl D16/132
D818,512 S * 5/2018 Masegg D16/132
2007/0069024 A1 * 3/2007 Barkan G06K 7/10881
235/473

FOREIGN PATENT DOCUMENTS

CN 306713069 * 7/2021
CN 306915210 * 11/2021
JP D1266269 * 3/2006
JP D1704351 * 1/2022

OTHER PUBLICATIONS

Vupoint Magic Wand Document/Photo 2-in-1 Portable Scanner, date first available: Mar. 17, 2014, [retrieved Feb. 8, 2022], Retrieved from Internet, URL: <https://www.amazon.com/Solutions-Portable-Handheld-Auto-Feed-PDSDK-ST470T-VP/dp/B00J2FCW6Y/ref=asc_df_B00J2FCW6Y/?tag=hyprod-20&1%E2%80%A6=undefined&th=1> (Year: 2014).*

Wolverine PASS—100 Portable Battery Powered Hand Held Document Scanner, date first available: Mar. 1, 2011, [retrieved Feb. 8, 2022], Retrieved from Internet, URL: <<https://www.amazon.com/Wolverine-Portable-Battery-Powered-Document/dp/B004Q6GJ54>> (Year: 2011).*

Heavy Duty SMART Stick, date not available, [retrieved Feb. 8, 2022], Retrieved from Internet, URL: <<https://agrieidstore.com/products/heavy-duty-smart-stick-gen-3>> (Year: 2022).*

My Poingo Interactive Reader Pen, date not available, [retrieved Feb. 8, 2022], Retrieved from Internet, URL: <<https://www.worthpoint.com/worthopedia/poingo-interactive-reader-pen-308799012>> (Year: 2022).*

* cited by examiner

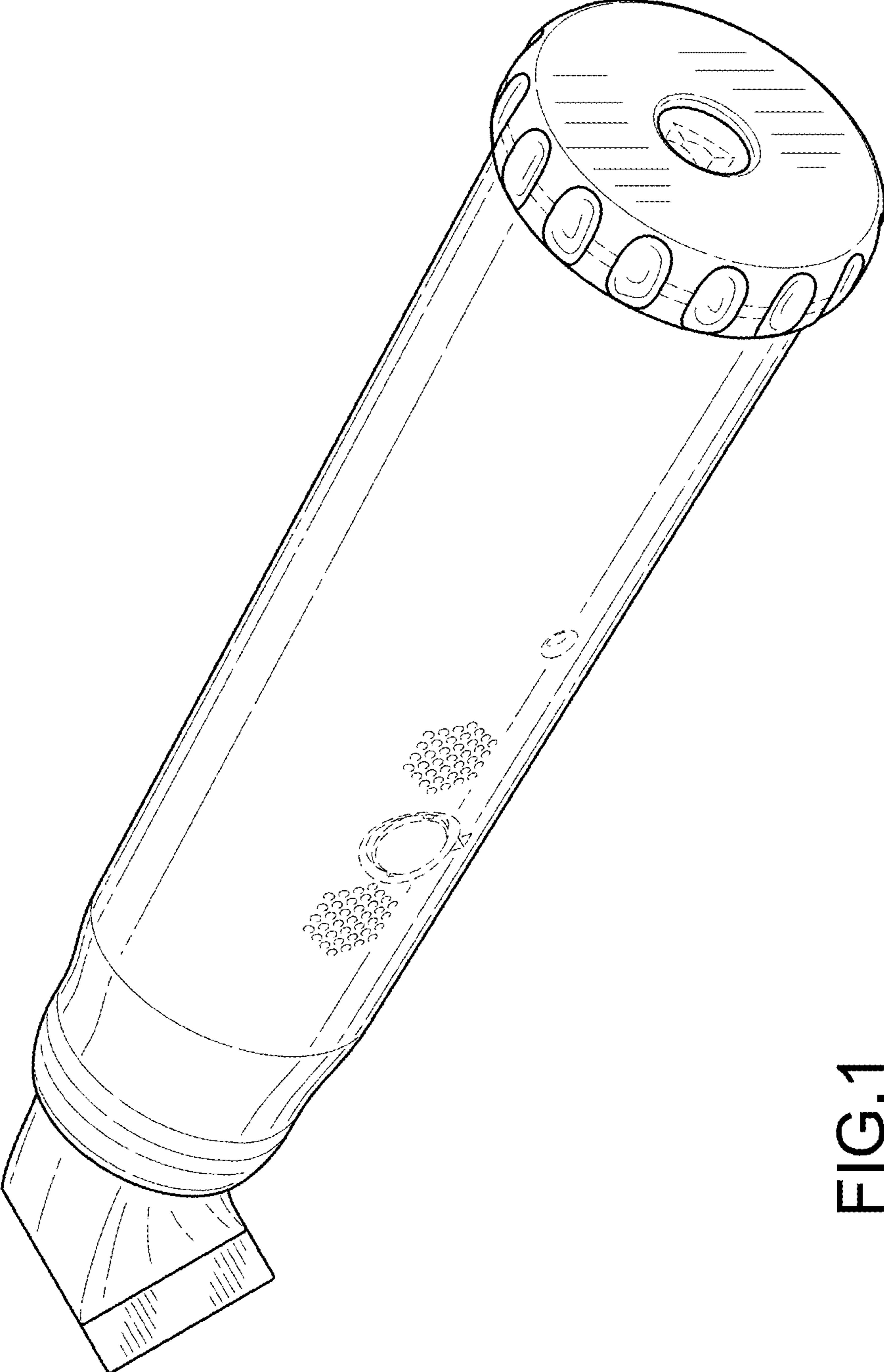


FIG.1

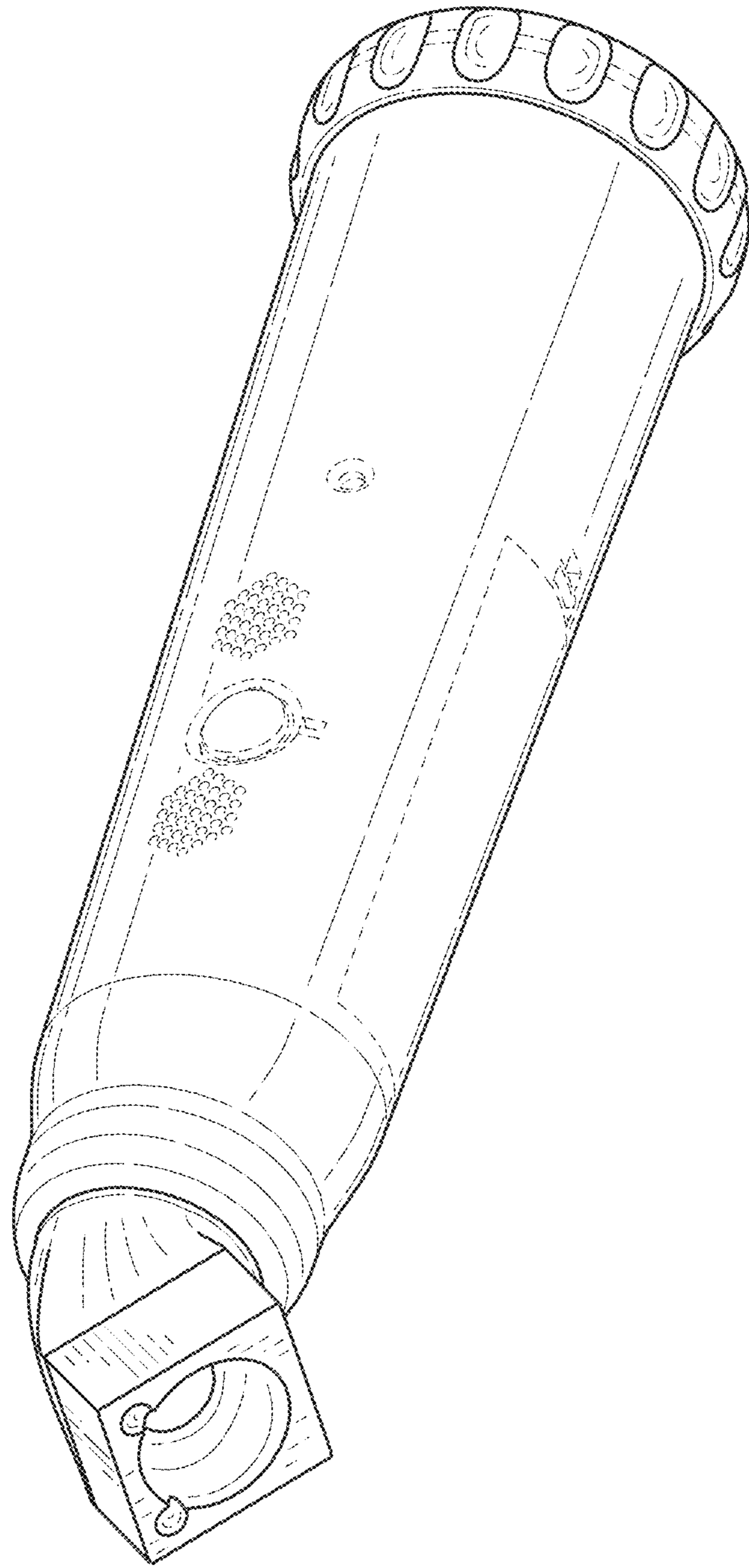


FIG.2

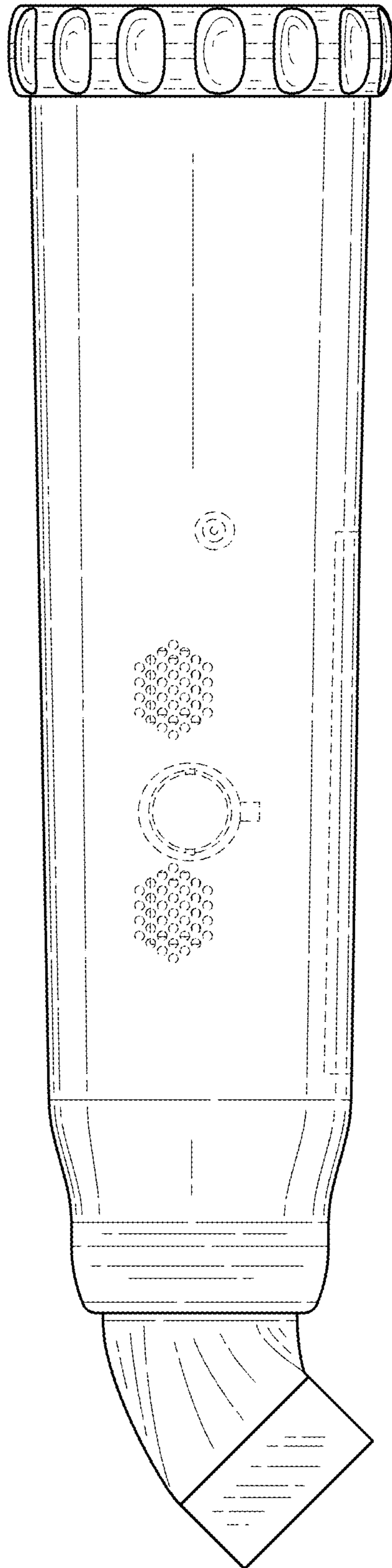


FIG.3

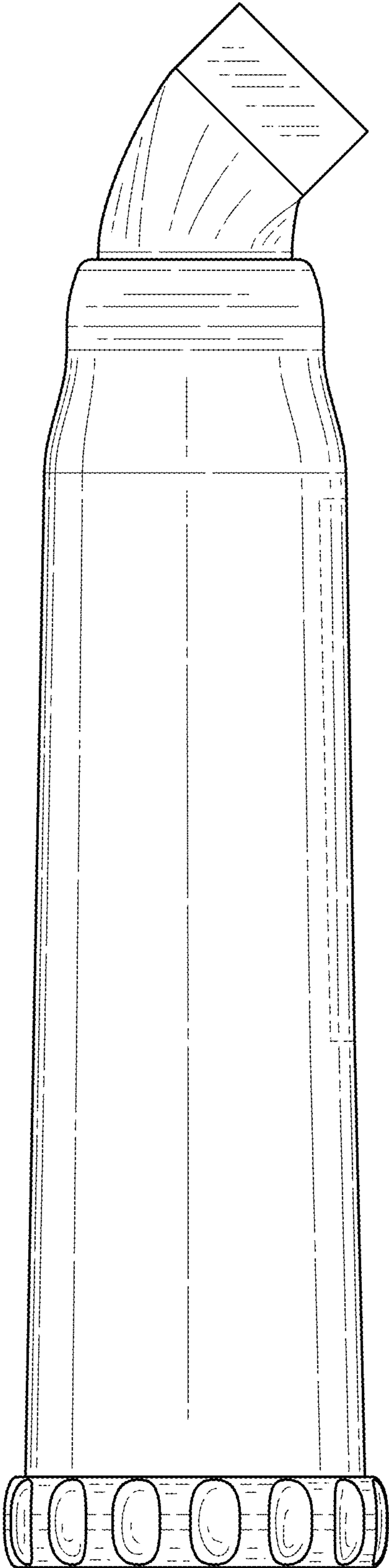


FIG.4

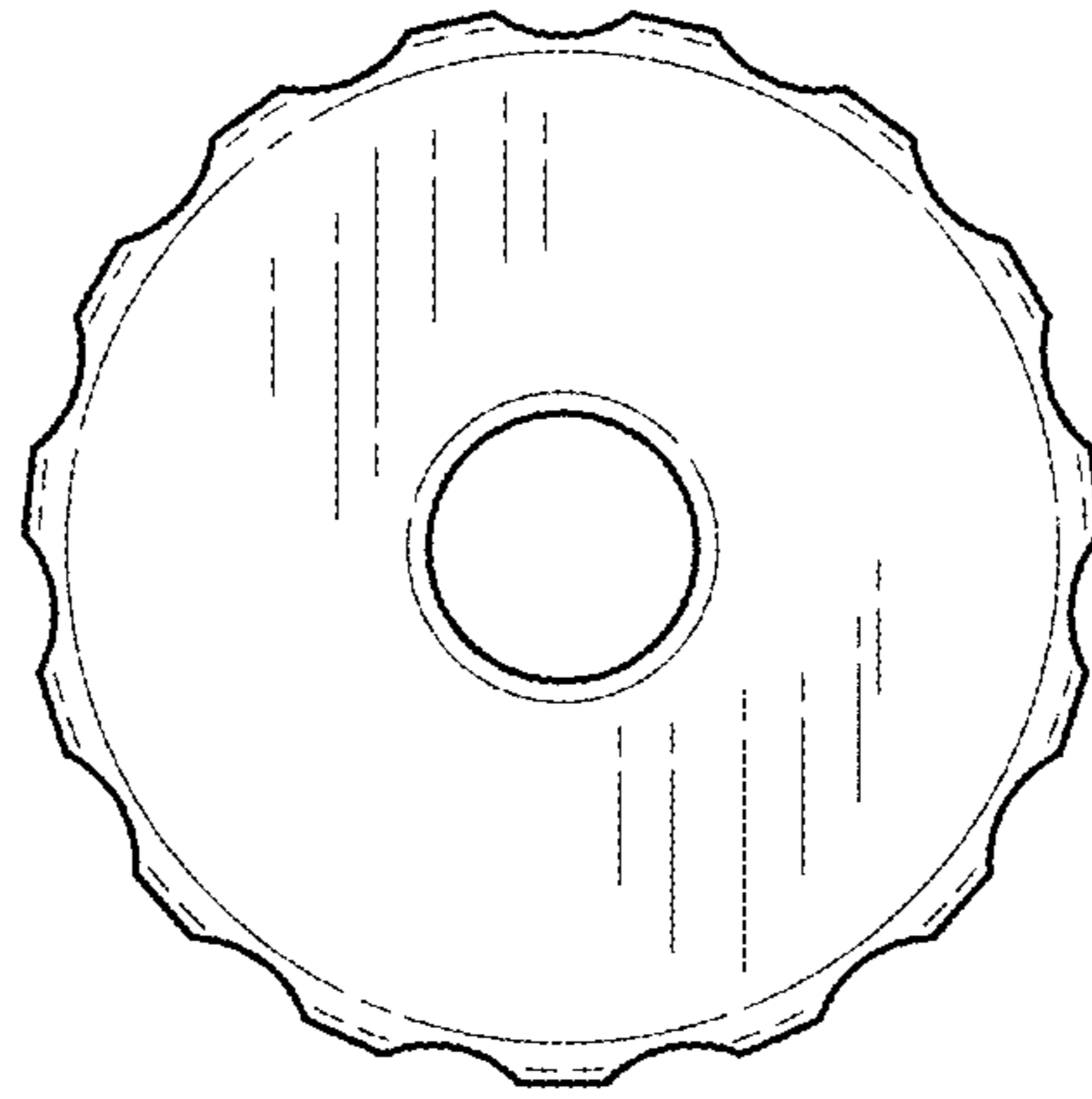


FIG. 5

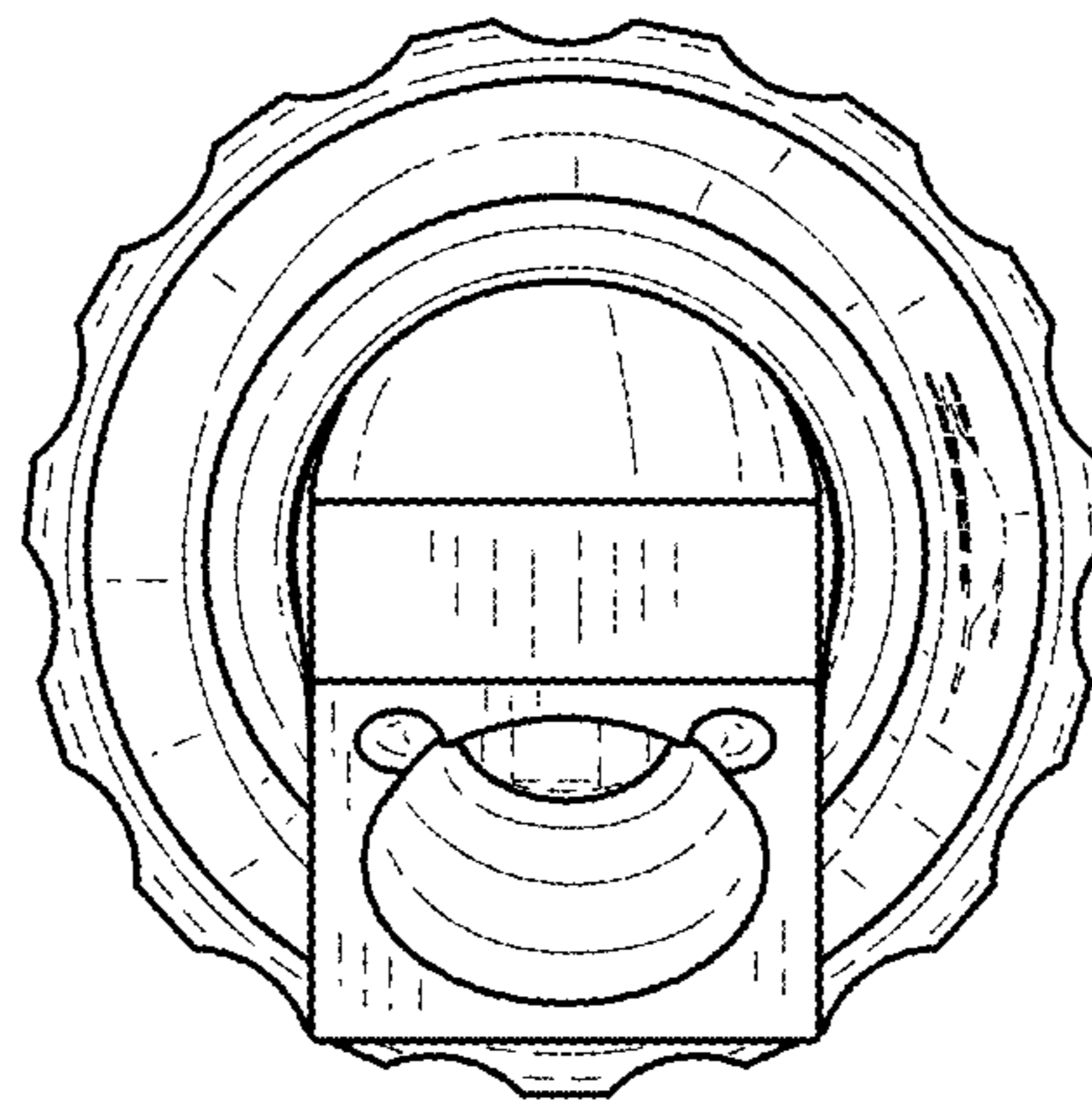


FIG. 6

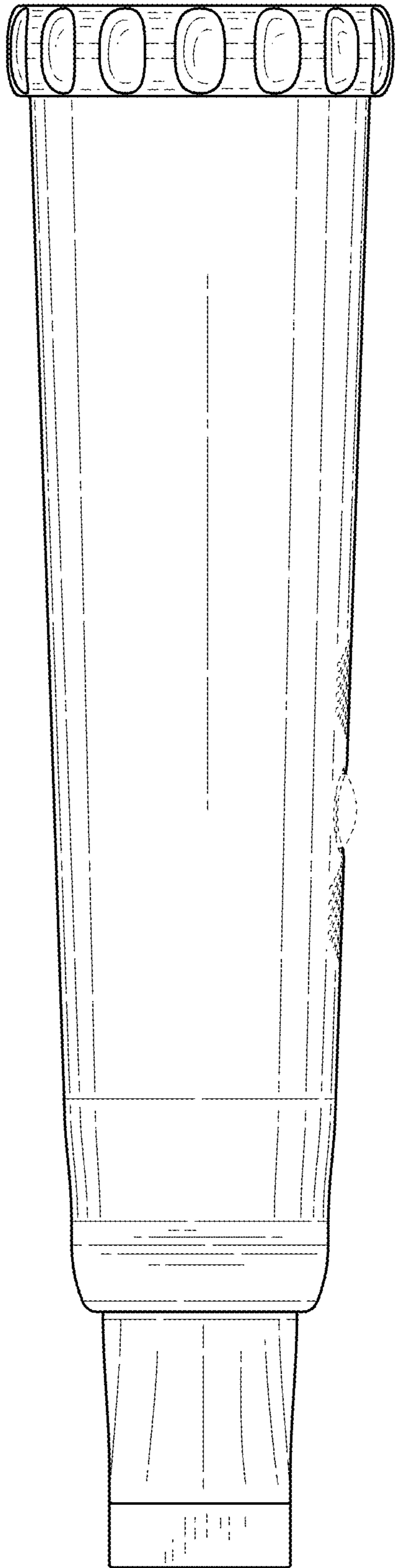


FIG.7

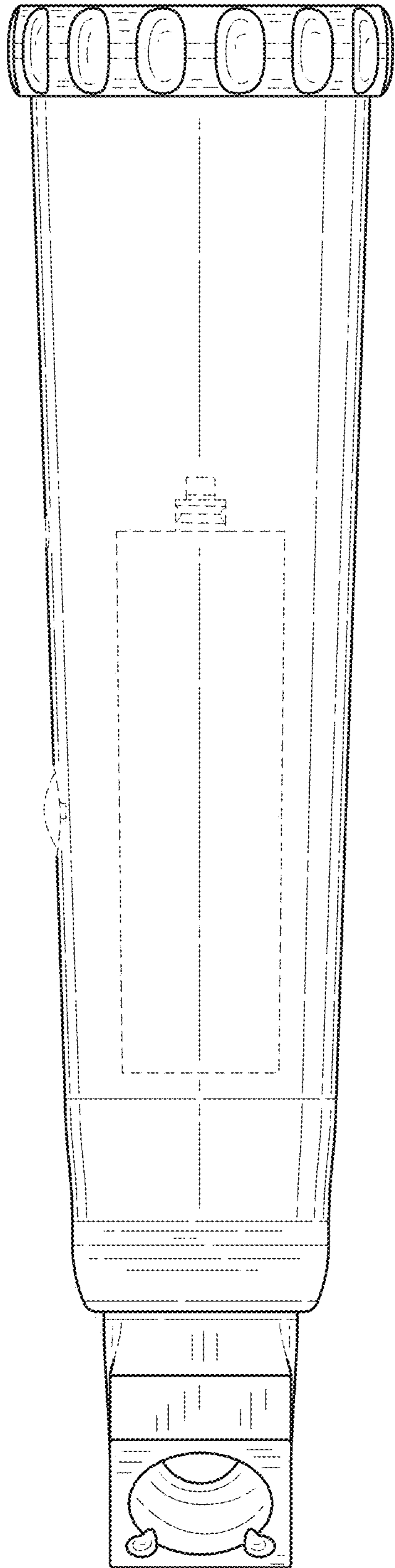


FIG. 8