



US00D958790S

(12) **United States Design Patent**
Qiu et al.

(10) **Patent No.:** **US D958,790 S**
(45) **Date of Patent:** **** Jul. 26, 2022**

(54) **KEYBOARD**

FOREIGN PATENT DOCUMENTS

(71) Applicant: **Angry Miao Technology Co., Limited,**
Zhuhai (CN)

CN 306203736 * 12/2020
KR 300642613.0000 * 4/2012
KR 300666973.0000 * 11/2012

(72) Inventors: **Wentao Qiu,** Zhuhai (CN); **Nan Li,**
Zhuhai (CN); **Liangchao Fan,** Zhuhai
(CN); **Xianke Lu,** Zhuhai (CN); **Hu**
Zhao, Zhuhai (CN)

OTHER PUBLICATIONS

Cyberboard R3, Angry Miao, angrymiao.com, author unlisted,
published on Oct. 19, 2021 per wayback machine © 2022 Angry
Miao, online, site visited Feb. 25, 2022. Available at URL: <https://www.angrymiao.com/cyberboard-r3/> (Year: 2021).*

(73) Assignee: **Angry Miao Technology Co., Limited,**
Zhuhai (CN)

(Continued)

(**) Term: **15 Years**

Primary Examiner — Sandra Snapp

(21) Appl. No.: **29/752,406**

Assistant Examiner — Altaira J Swangin

(22) Filed: **Sep. 27, 2020**

(74) *Attorney, Agent, or Firm* — Rahman LLC

(30) **Foreign Application Priority Data**

(57) **CLAIM**

May 22, 2020 (CN) 202030243235.X

The ornamental design for a keyboard, as shown and
described.

(51) **LOC (13) Cl.** **14-02**

DESCRIPTION

(52) **U.S. Cl.**
USPC **D14/391**

(58) **Field of Classification Search**
USPC D14/247, 315–327, 331–333, 338,
D14/345–347, 387, 390–401, 406, 429,
D14/455–457, 460–461; D18/1–2,
D18/4.1–4.6, 7, 11, 12.2, 52; D21/324,
D21/409; D13/102
CPC B41J 5/00; B41J 5/10; B41J 5/12; G06F
3/021; G06F 3/0216; G06F 3/0219; G06F
3/02

FIG. 1 is a top perspective view of a keyboard, showing our
new design;
FIG. 2 is a front elevational view of the keyboard shown in
FIG. 1;
FIG. 3 is a rear elevational view of the keyboard shown in
FIG. 1;
FIG. 4 is a left-side elevational view of the keyboard shown
in FIG. 1;
FIG. 5 is a right-side elevational view of the keyboard
shown in FIG. 1;
FIG. 6 is a top plan view of the keyboard shown in FIG. 1;
and,
FIG. 7 is a bottom plan view of the keyboard shown in FIG.
1.

See application file for complete search history.

The broken lines shown in the drawings are for the purpose
of illustrating portions of the keyboard that form no part of
the claimed design.

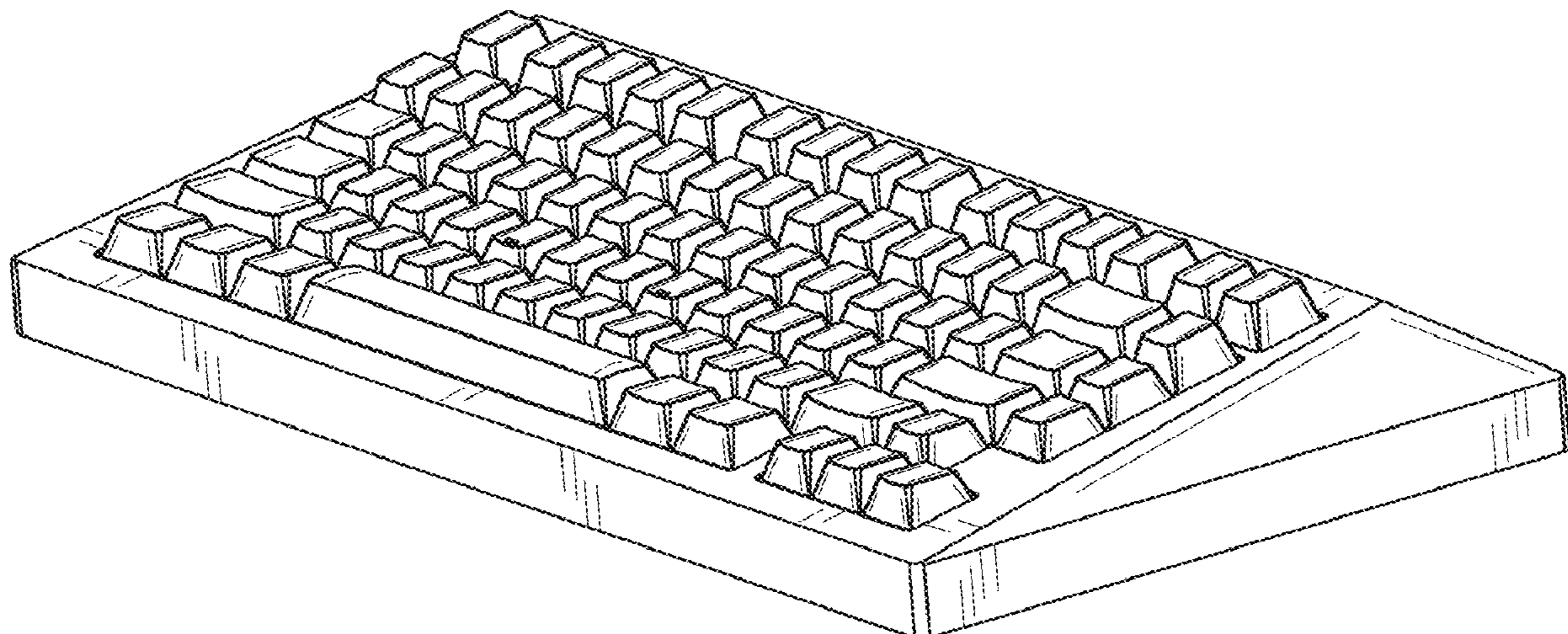
(56) **References Cited**

U.S. PATENT DOCUMENTS

D158,481 S * 5/1950 Lugar D19/59
D196,652 S * 10/1963 Beals D18/6
D270,639 S * 9/1983 Goodin D14/396

(Continued)

1 Claim, 7 Drawing Sheets



(56)

References Cited

U.S. PATENT DOCUMENTS

D271,767 S * 12/1983 Ohie D14/396
 D278,635 S * 4/1985 Funato D18/1
 D285,561 S * 9/1986 Mack D14/392
 4,680,674 A * 7/1987 Moore G06F 1/1632
 361/744
 D292,289 S * 10/1987 Kawarabayashi D14/333
 D296,329 S * 6/1988 Day D14/333
 D297,140 S * 8/1988 Milliman D14/331
 D300,140 S * 3/1989 Cain D14/396
 5,202,844 A * 4/1993 Kamio G06F 1/1677
 D14/326
 D344,724 S * 3/1994 Pangburn D14/392
 D366,649 S * 1/1996 Soderburg D14/331
 D373,575 S * 9/1996 Fornes D14/396
 D448,378 S * 9/2001 Arnold D14/396
 D492,308 S * 6/2004 Ozolins D14/391
 D516,070 S * 2/2006 Ozolins D14/391
 D528,117 S * 9/2006 Shimizu D14/391

D561,735 S * 2/2008 Nagura D14/188
 D579,450 S * 10/2008 Ozolins D14/391
 D599,349 S * 9/2009 Meyer D14/391
 D626,555 S * 11/2010 Huang D14/392
 D724,589 S * 3/2015 Ozolins D14/392
 D735,719 S * 8/2015 Ozolins D14/392
 D735,720 S * 8/2015 Ozolins D14/392
 D810,746 S * 2/2018 Kothari D14/399
 D912,718 S * 3/2021 Jobetto D16/237
 D923,624 S * 6/2021 Kothari D14/399
 2004/0041791 A1 * 3/2004 Dunker G06F 3/0213
 345/168

OTHER PUBLICATIONS

Mechanical Modular Keyboard, Key Dot Company, beebom.com, published by Beebom Staff on Apr. 5, 2020 © Beebom Media, online, site visited Feb. 25, 2022. Available at URL: <https://beebom.com/candybar-mechanical-modular-keyboard/> (Year: 2020).*

* cited by examiner

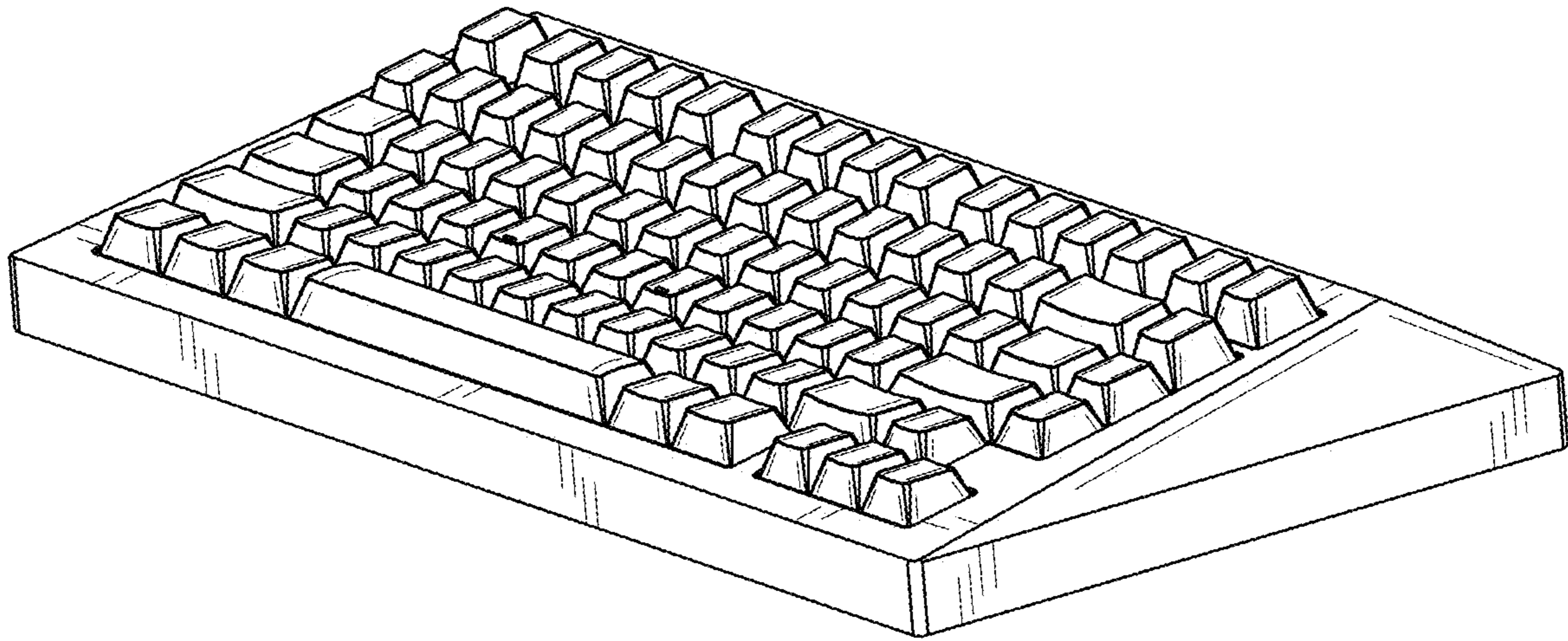


FIG. 1

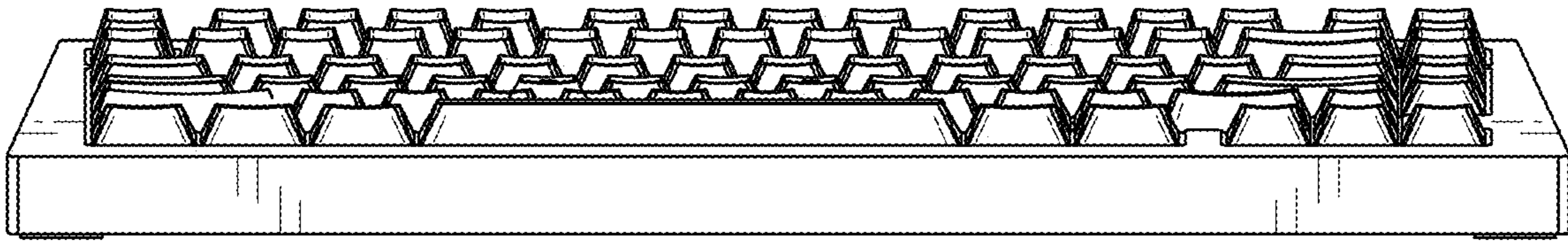


FIG. 2

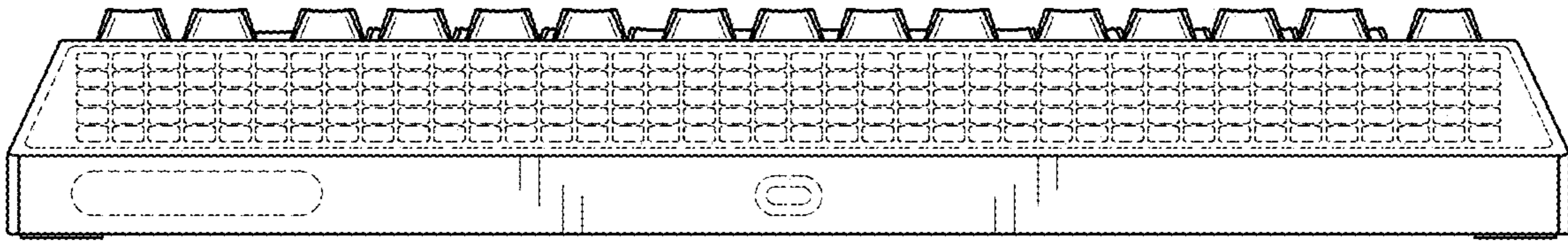


FIG. 3

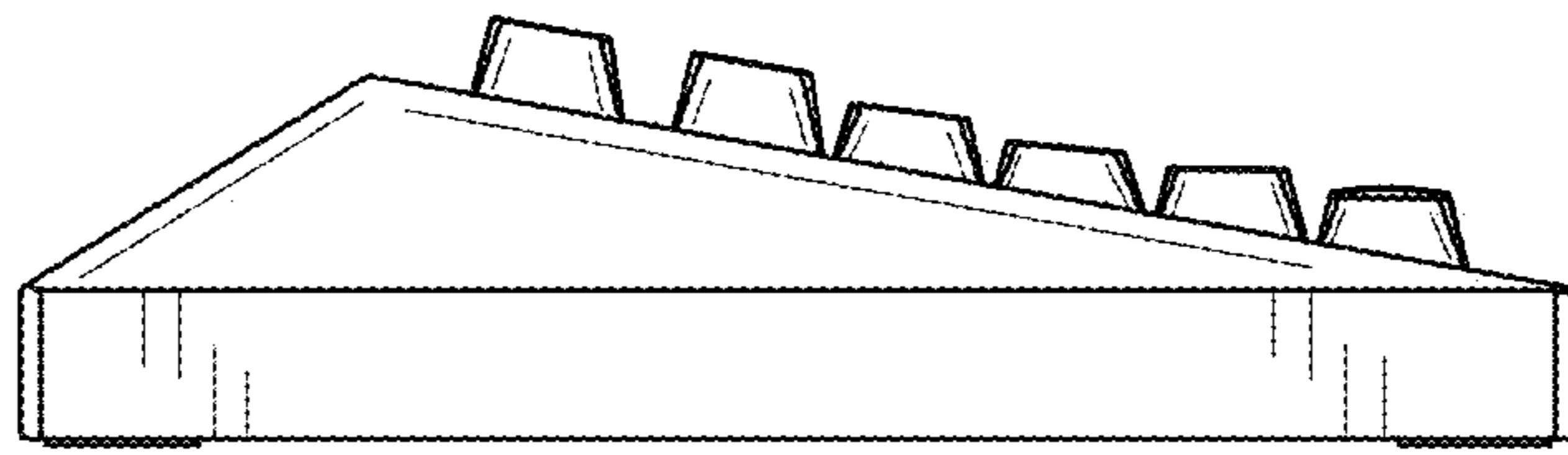


FIG. 4

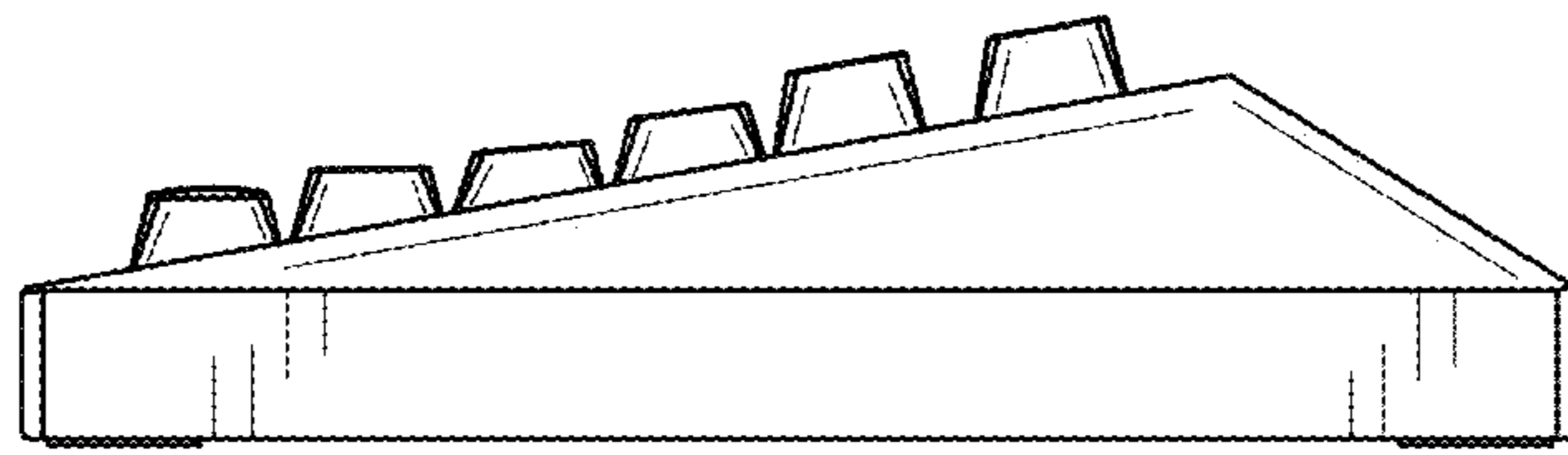


FIG. 5

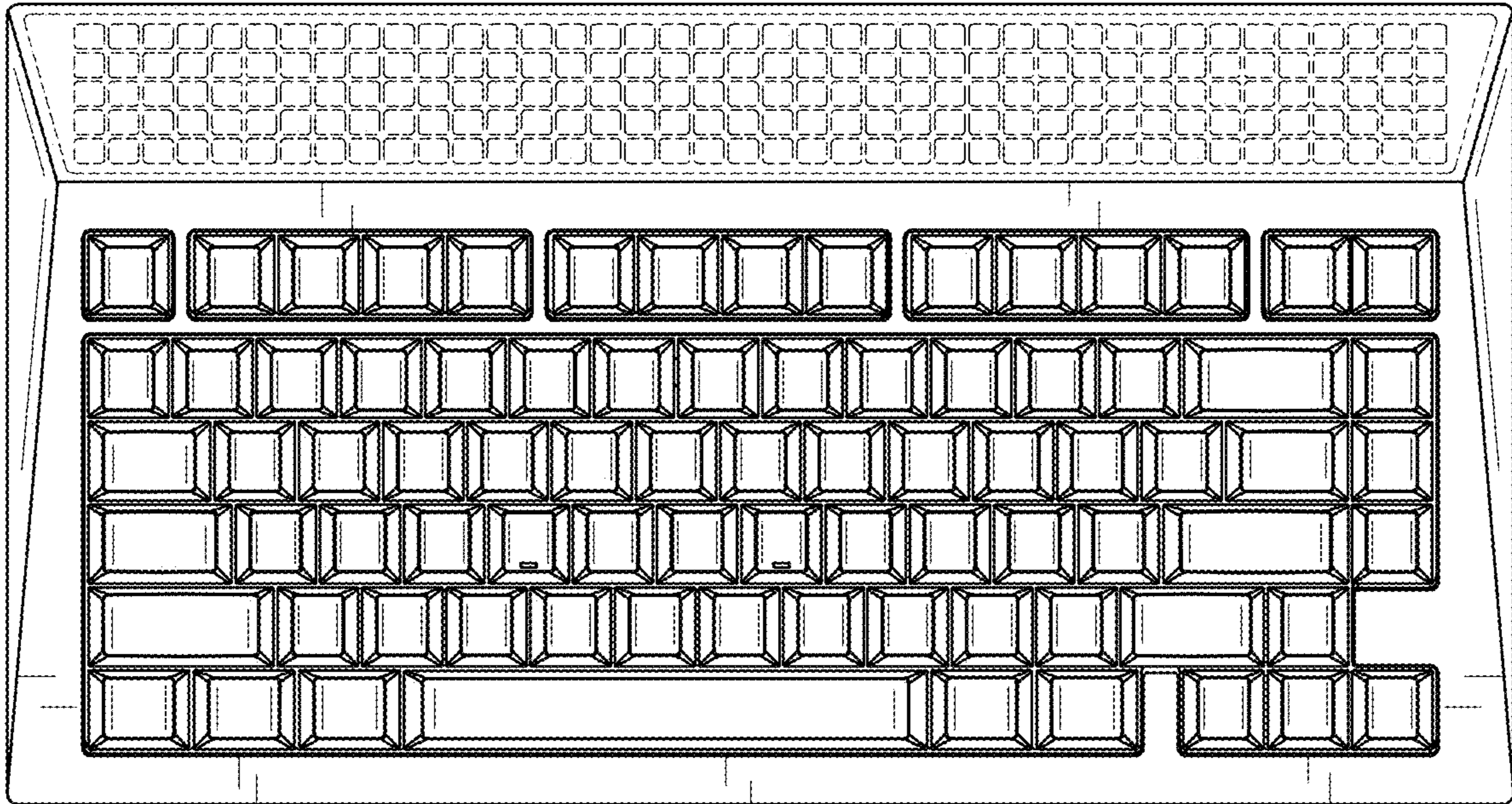


FIG. 6

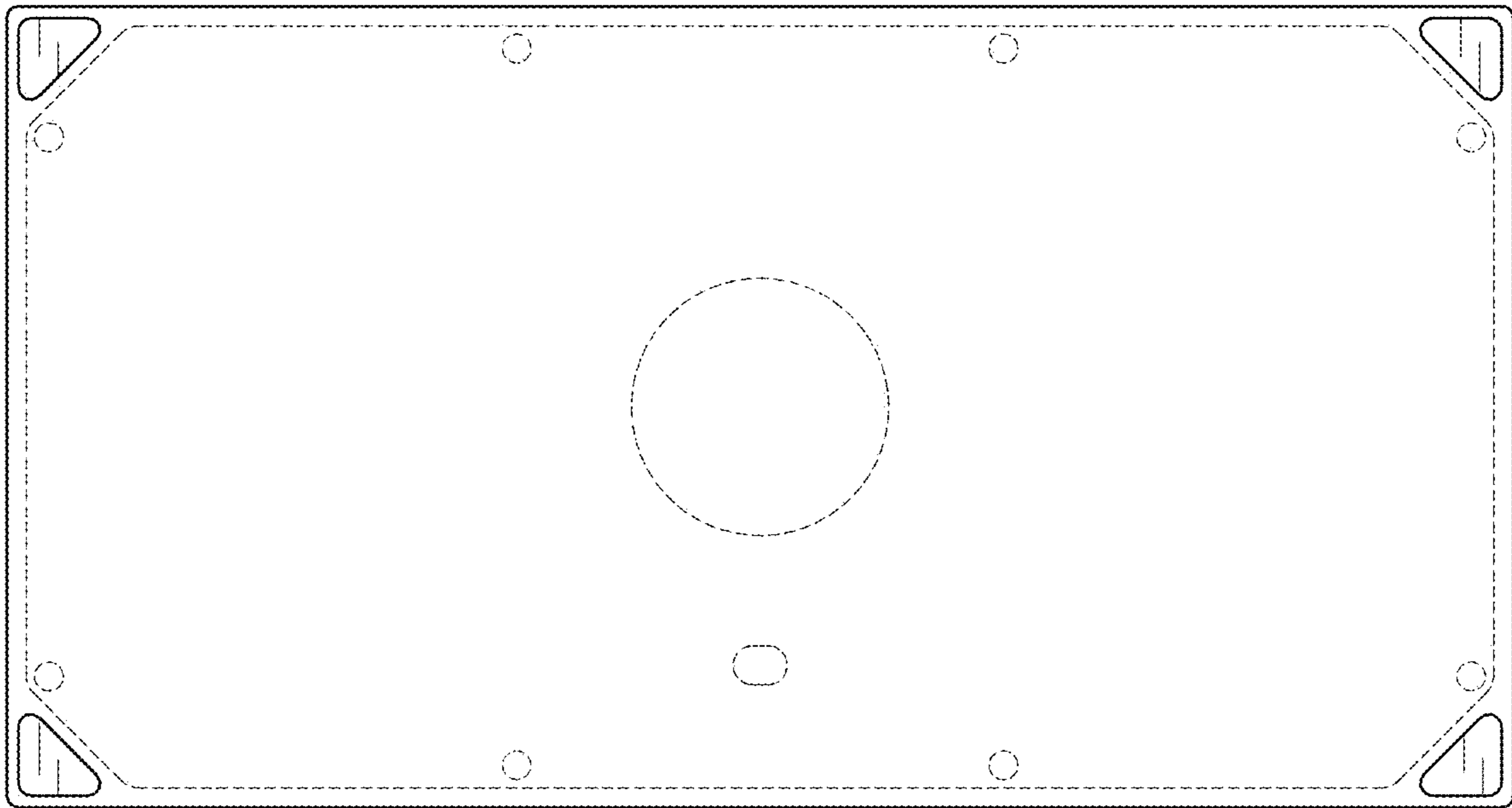


FIG. 7