



US00D958787S

(12) **United States Design Patent**  
**Kim et al.**

(10) **Patent No.:** **US D958,787 S**

(45) **Date of Patent:** **\*\* Jul. 26, 2022**

(54) **MONITOR**

(71) Applicant: **LG ELECTRONICS INC.**, Seoul (KR)

(72) Inventors: **Yongsoo Kim**, Seoul (KR); **Yeonjin Kim**, Seoul (KR); **Daihyung Ryu**, Seoul (KR)

(73) Assignee: **LG ELECTRONICS INC.**, Seoul (KR)

(\*\*) Term: **15 Years**

(21) Appl. No.: **35/511,752**

(22) Filed: **Oct. 26, 2020**

(80) **Hague Agreement Data**

Int. Filing Date: **Oct. 26, 2020**

Int. Reg. No.: **DM/211076**

Int. Reg. Date: **Oct. 26, 2020**

Int. Reg. Pub. Date: **Apr. 30, 2021**

(30) **Foreign Application Priority Data**

May 4, 2020 (KR) ..... 30-2020-0019505

(51) **LOC (13) Cl.** ..... **14-02**

(52) **U.S. Cl.**  
USPC ..... **D14/374**

(58) **Field of Classification Search**  
USPC ..... D14/125–129, 132, 203.3, 203.7, 300, D14/308, 310, 336, 341, 371, 372–380; D21/330  
CPC ..... G06F 1/1601; G06F 1/1605; G06F 1/162  
See application file for complete search history.

(56) **References Cited**

**U.S. PATENT DOCUMENTS**

D489,721 S \* 5/2004 Peng ..... D14/371  
D635,975 S \* 4/2011 Seo ..... D14/374

D790,542 S \* 6/2017 Jung ..... D14/374  
D831,647 S \* 10/2018 Woo ..... D14/374  
D850,441 S \* 6/2019 Lee ..... D14/336  
D858,473 S \* 9/2019 Lee ..... D14/126  
D859,337 S \* 9/2019 Lee ..... D14/126  
D872,085 S \* 1/2020 Lee ..... D14/374  
D888,677 S \* 6/2020 Ryu ..... G06F 1/1605  
D14/126  
D893,479 S \* 8/2020 Ryu ..... D14/374  
D900,815 S \* 11/2020 Kang ..... D14/371  
D900,819 S \* 11/2020 Kim ..... D14/374  
D900,820 S \* 11/2020 Kim ..... D14/374

(Continued)

**OTHER PUBLICATIONS**

Samsung Unveiled Its New Ultra-Wide Odyssey Gaming Monitor Line-up At CES 2020, publication date Jan. 3, 2020, [online] URL: <https://www.ubergizmo.com/2020/01/samsungs-odyssey-gaming-monitor/> (Year: 2020).\*

(Continued)

*Primary Examiner* — L. A. Grabenstetter

(74) *Attorney, Agent, or Firm* — Birch, Stewart, Kolasch & Birch, LLP

(57) **CLAIM**

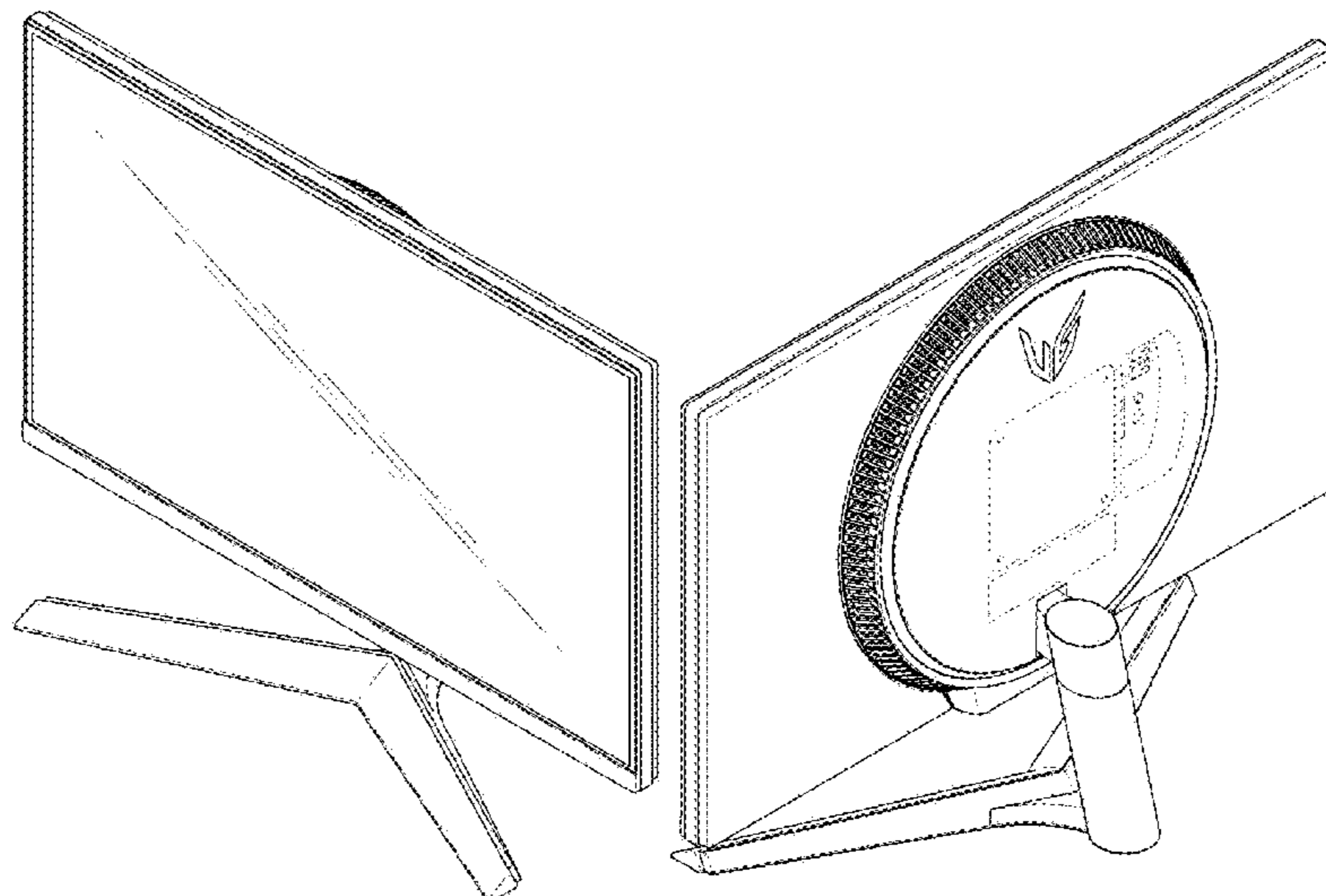
The ornamental design for a monitor, as shown and described.

**DESCRIPTION**

- 1. Monitor
- 1.1 : Front perspective view
- 1.2 : Rear perspective view
- 1.3 : Front view
- 1.4 : Rear view
- 1.5 : Left view
- 1.6 : Right view
- 1.7 : Top view
- 1.8 : Bottom view

The broken lines indicate portions of the article that form no part of the claimed design.

**1 Claim, 8 Drawing Sheets**



(56)

**References Cited**

U.S. PATENT DOCUMENTS

D912,668 S \* 3/2021 Kang ..... D14/375  
D918,908 S \* 5/2021 Kang ..... D14/375  
D924,233 S \* 7/2021 Kang ..... D14/371  
D943,577 S \* 2/2022 Kim ..... D14/375  
D943,578 S \* 2/2022 Kang ..... D14/375

OTHER PUBLICATIONS

LG UltraGear 27GN950 4K Gaming Monitor, publication date Aug. 19, 2020, [online] URL: <https://www.ecoustics.com/products/lg-ultragear-27gn950-4k-monitor/> (Year: 2020).\*

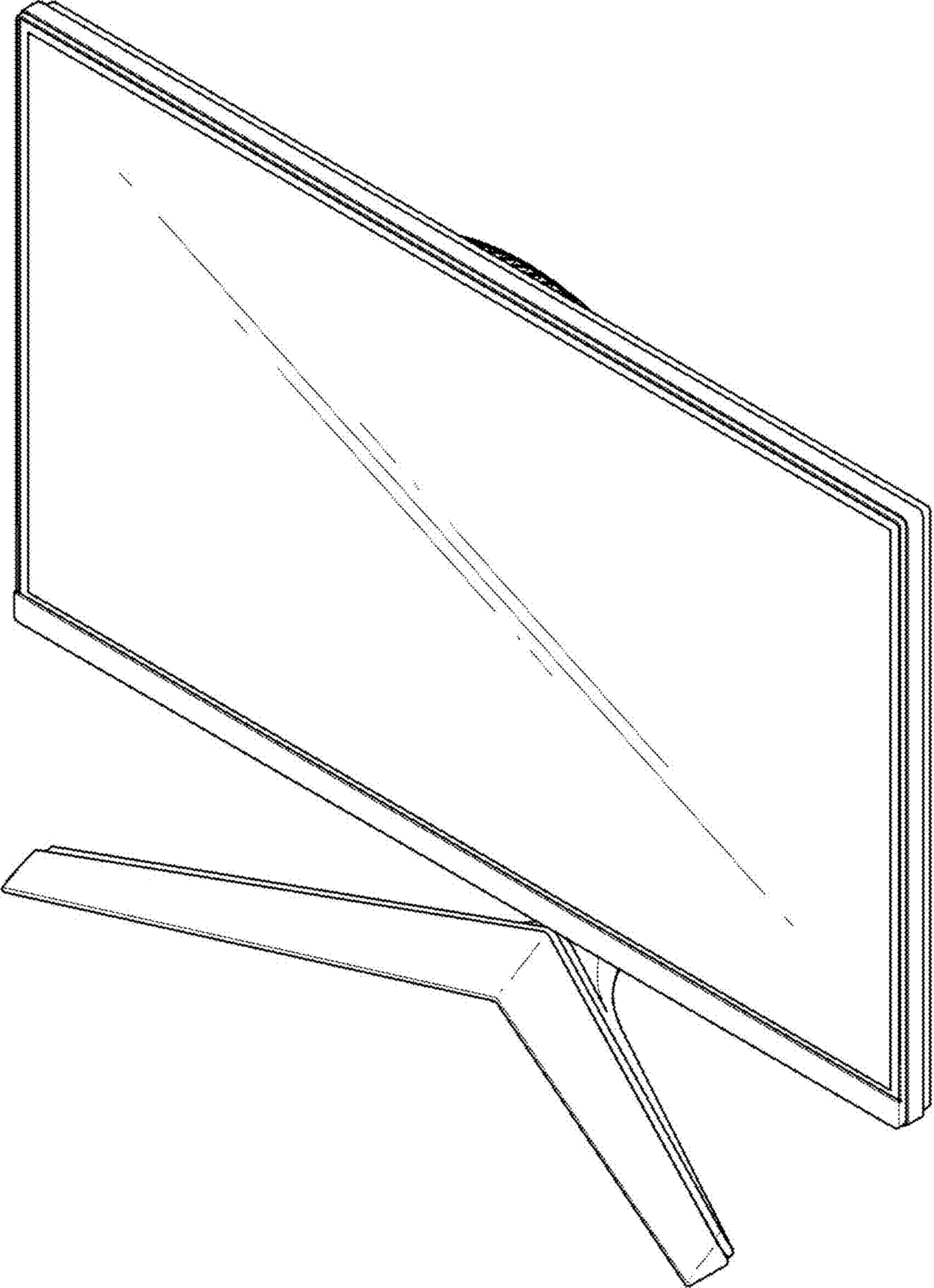
Review—Bezel 27HX280 4K Gaming Monitor, publication date Aug. 9, 2020, [online] URL: <https://www.techporn.ph/review-bezel-27hx280-4k-gaming-monitor/> (Year: 2020).\*

Nvidia and Asus announce a 360Hz gaming monitor, publication date Jan. 5, 2020, [online] URL: <https://www.theverge.com/2020/1/5/21050309/asus-nvidia-360hz-gaming-monitor-rog-swift-360-ces-2020> (Year: 2020).\*

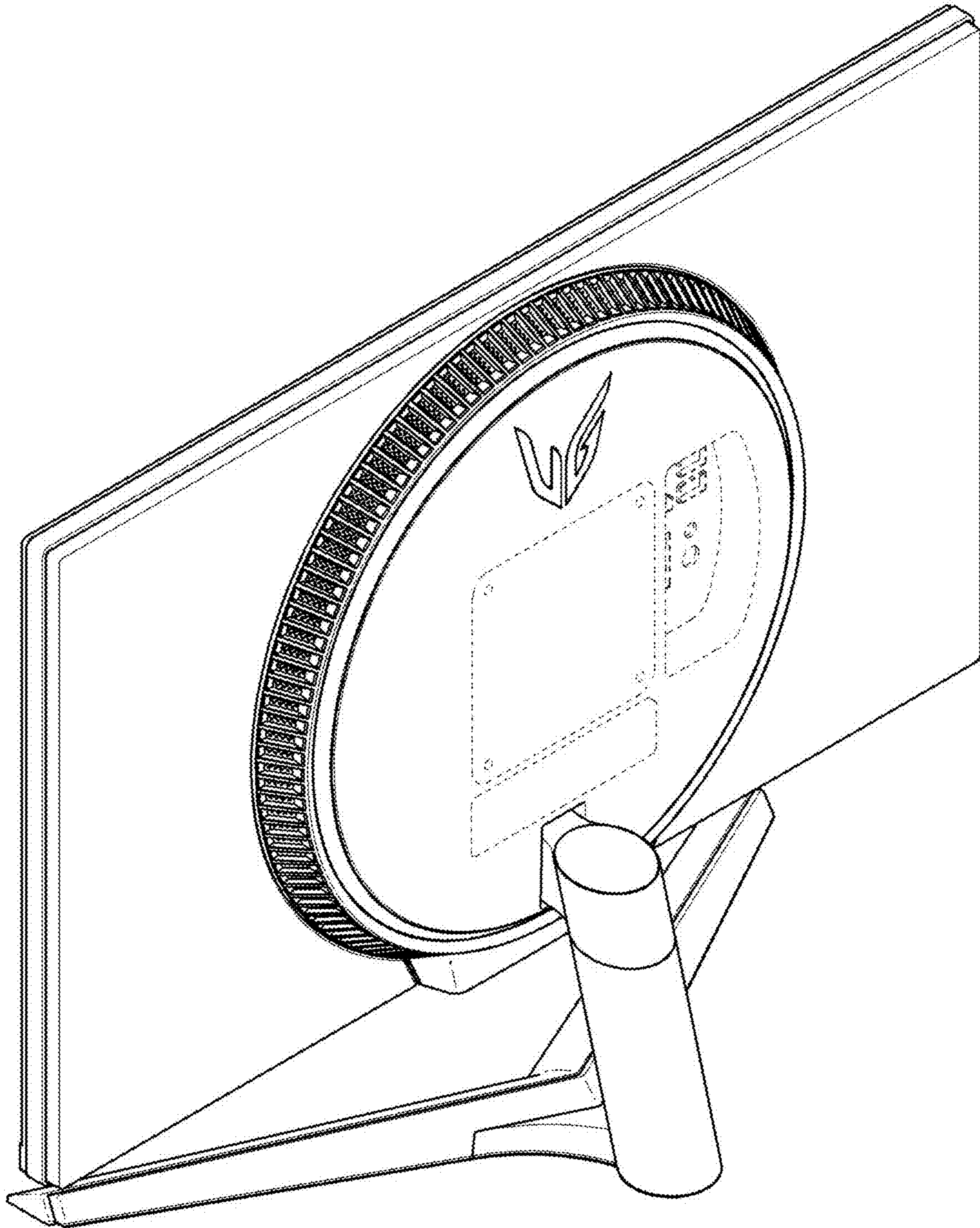
LG UltraGear 27GN800-B: 27-inch and WQHD gaming monitor, publication date Nov. 3, 2020, [online] URL: <https://www.notebookcheck.net/LG-UltraGear-27GN800-B-27-inch-and-WQHD-gaming-monitor-with-NVIDIA-G-Sync-AMD-FreeSync-Premium-and-144-Hz-support-announced.501809.0.html> (Year: 2020).\*

\* cited by examiner

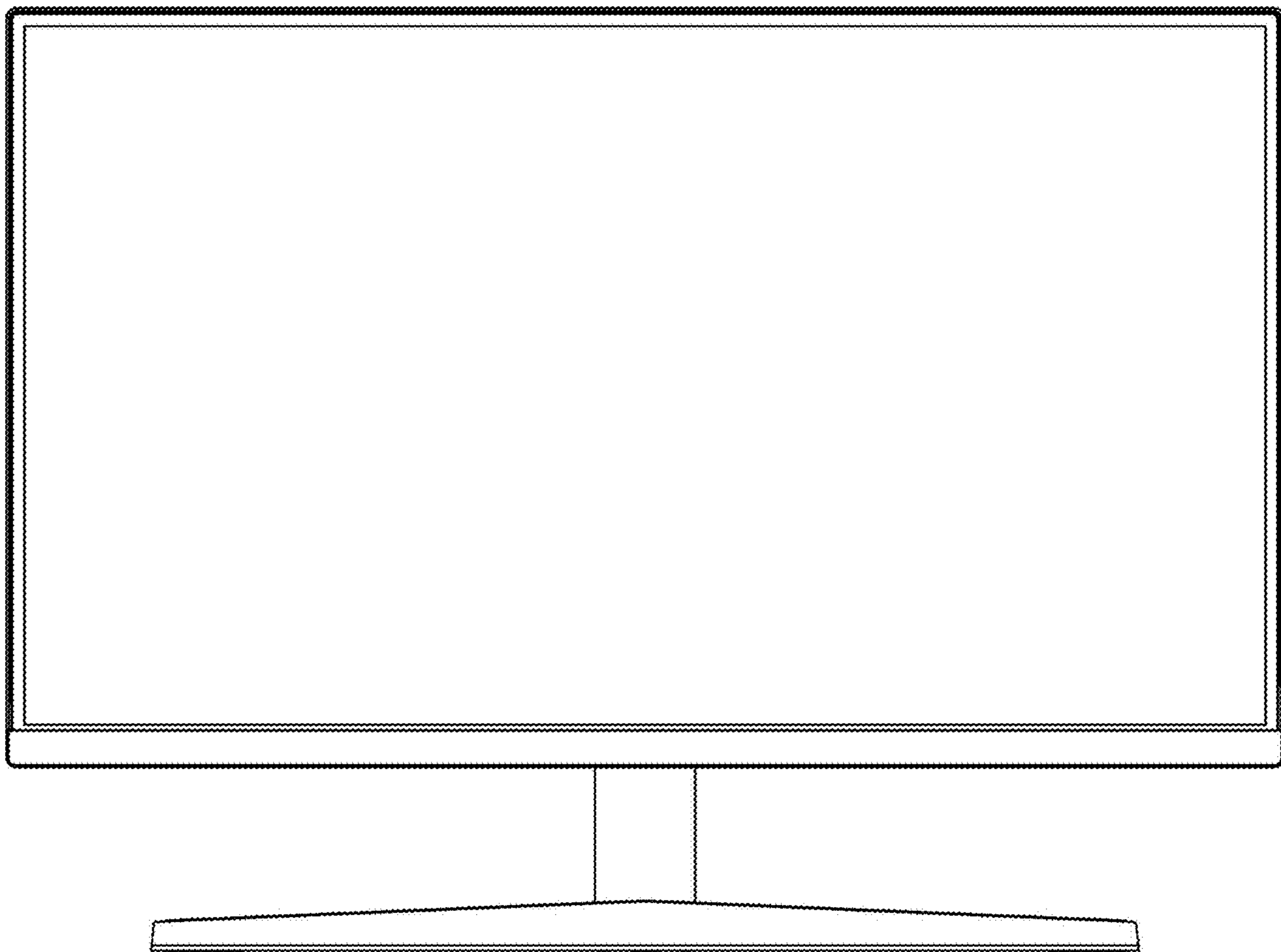
1.1



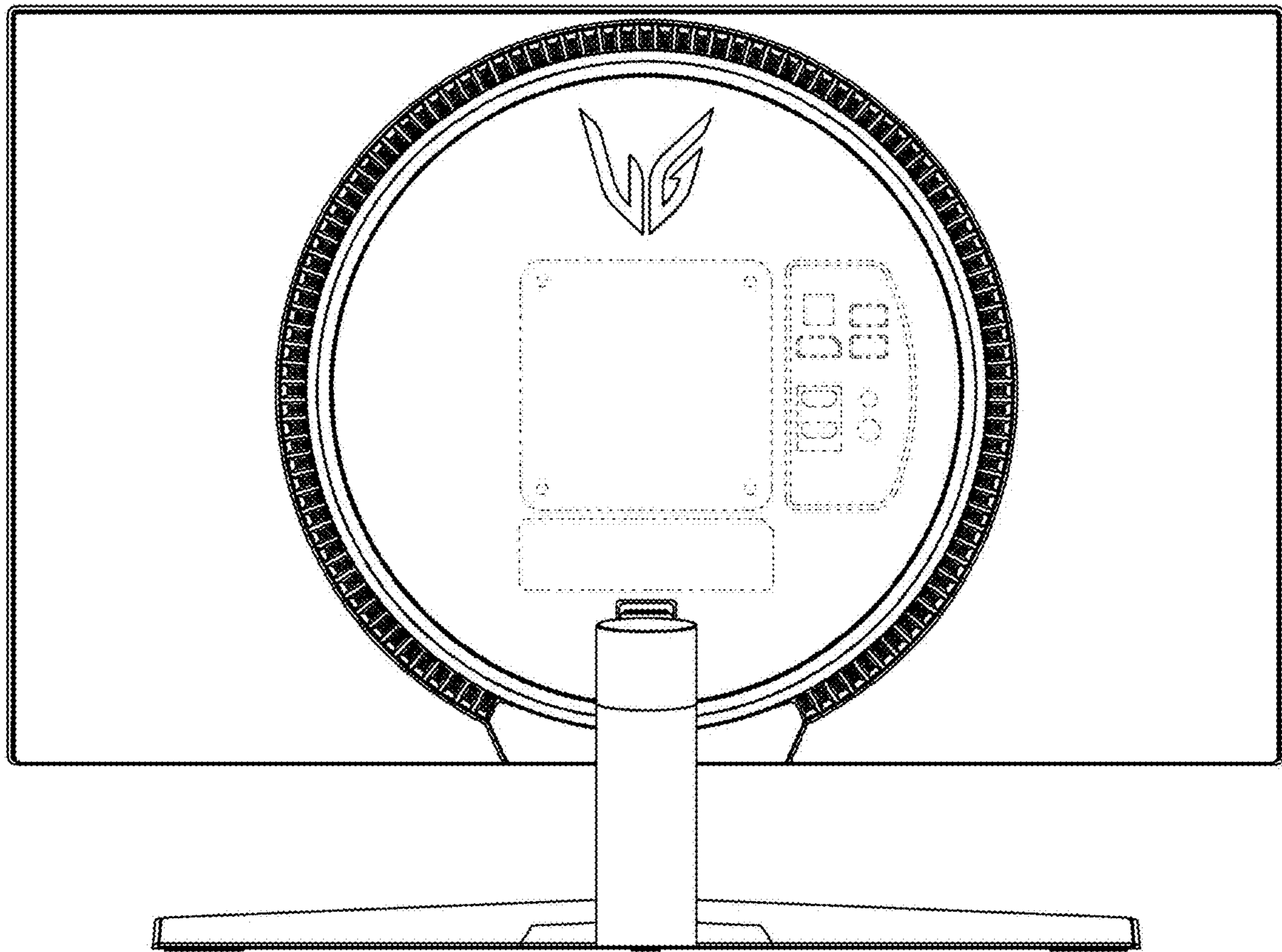
1.2



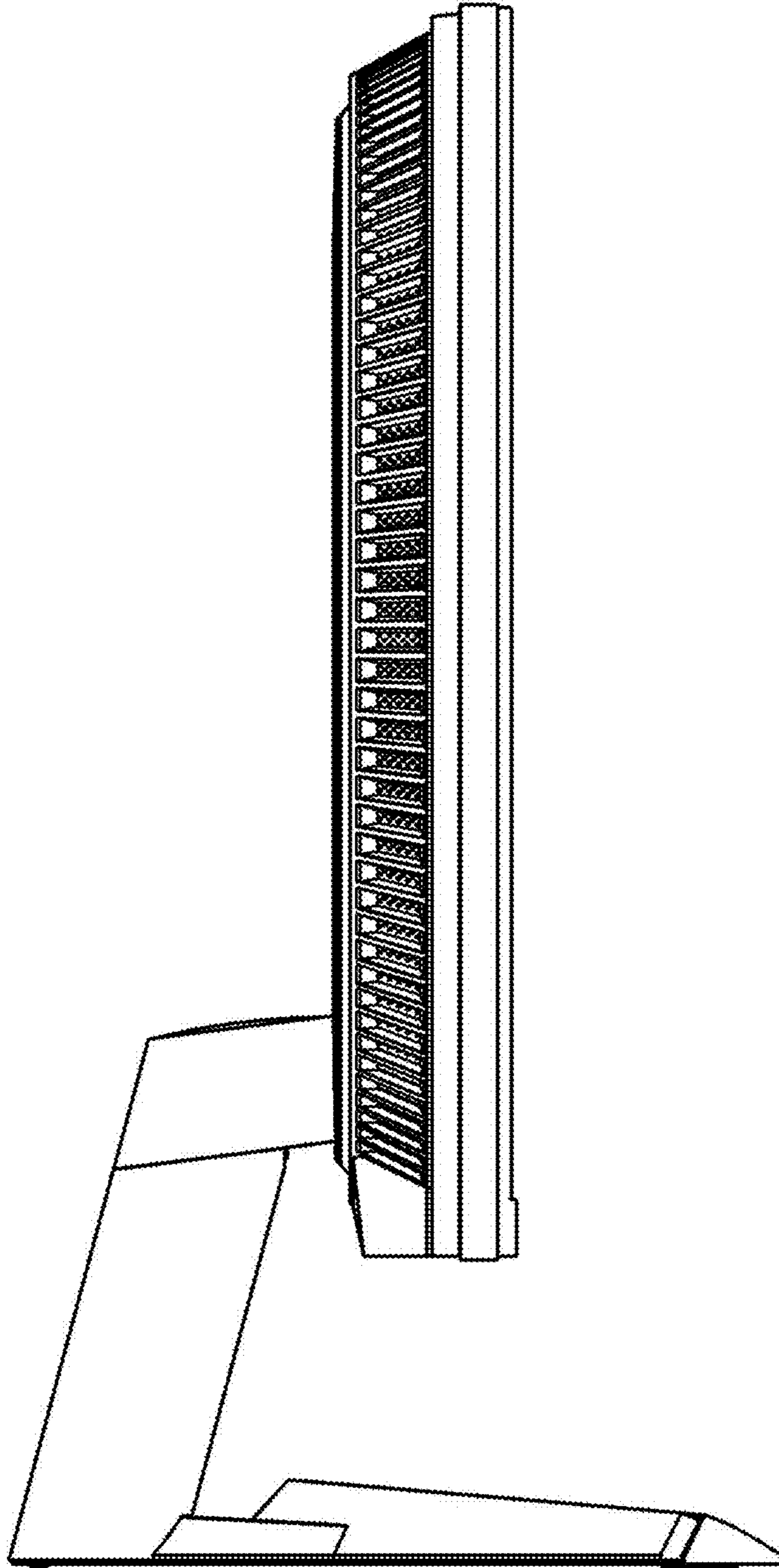
1.3



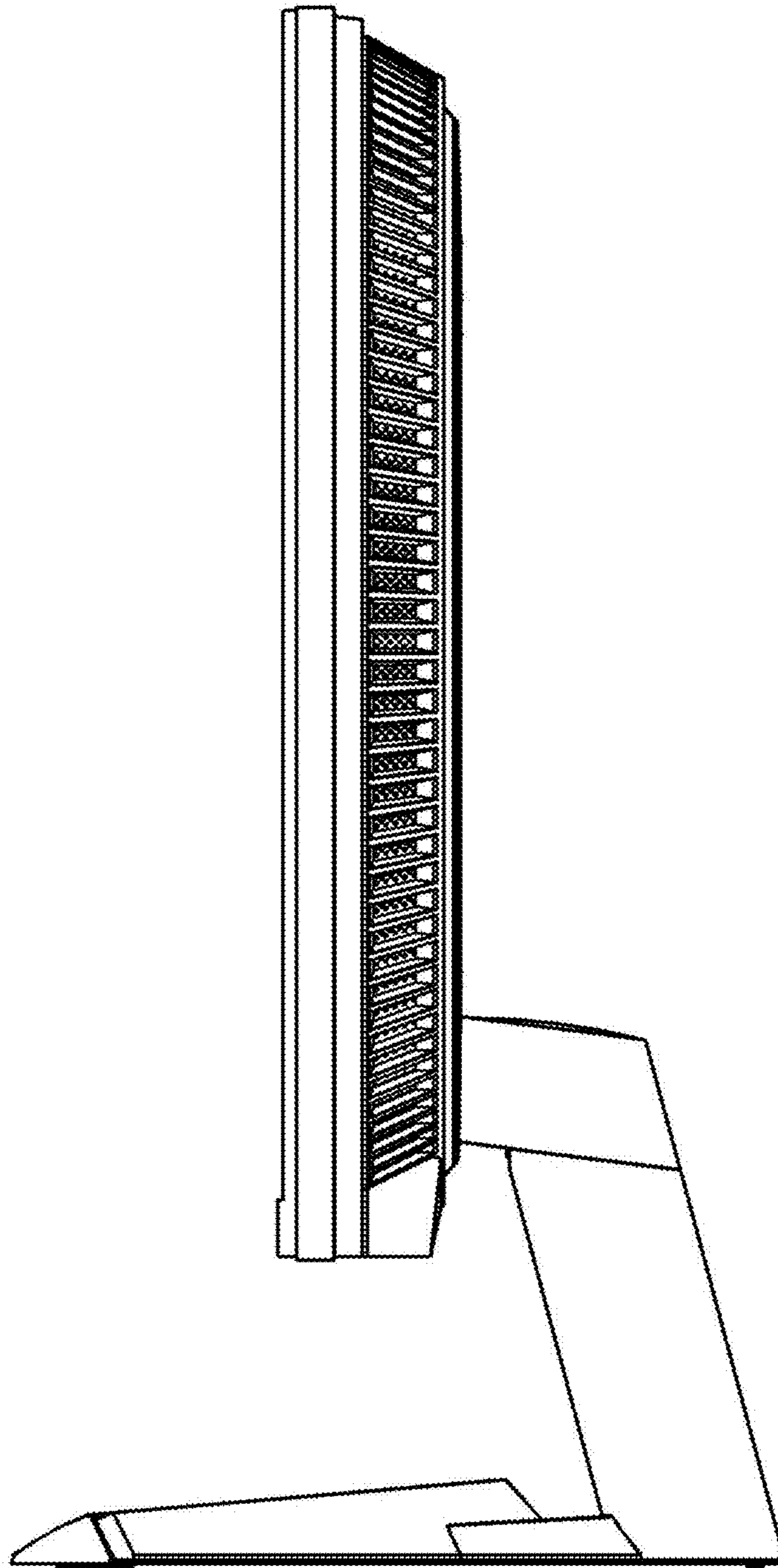
1.4



1.5

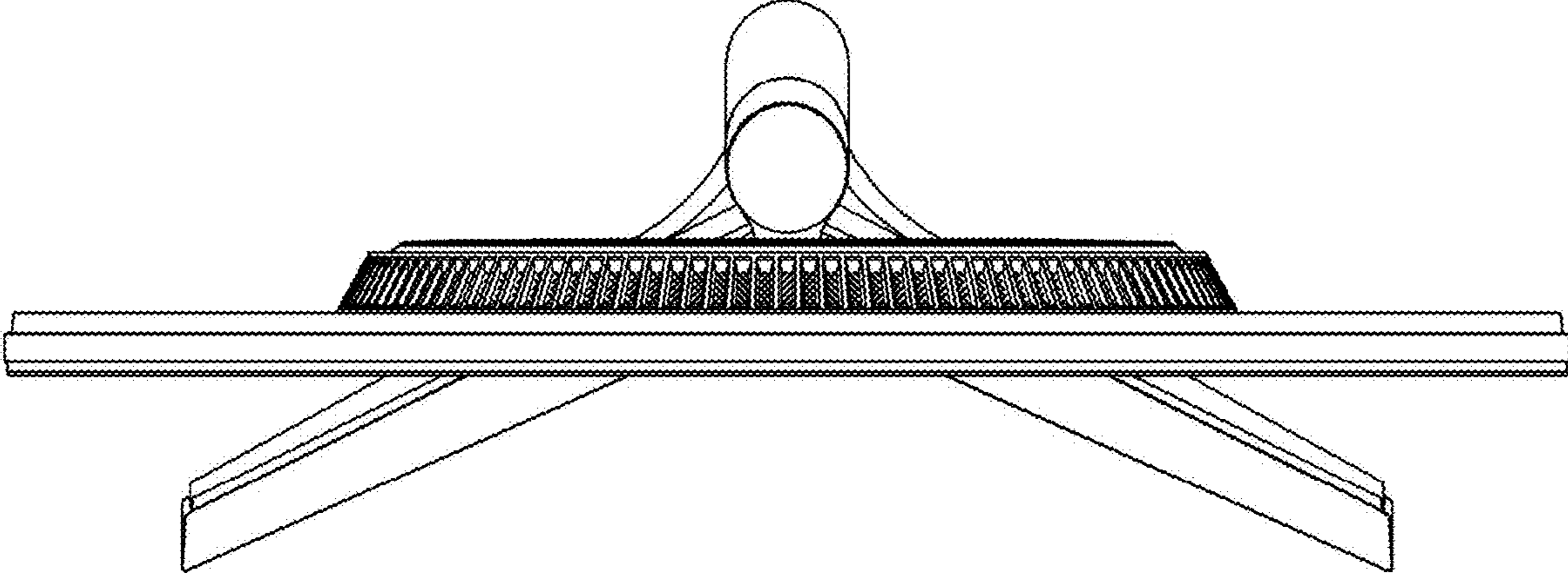


1.6





1.7



1.8

