



US00D958786S

(12) **United States Design Patent**  
**Park et al.**

(10) **Patent No.:** **US D958,786 S**  
(45) **Date of Patent:** **\*\* Jul. 26, 2022**

- (54) **MONITOR FOR COMPUTER**
- (71) Applicant: **LG ELECTRONICS INC.**, Seoul (KR)
- (72) Inventors: **Seongyeong Park**, Seoul (KR);  
**Daihyung Ryu**, Seoul (KR);  
**Hyeongyeol Kim**, Seoul (KR)
- (73) Assignee: **LG ELECTRONICS INC.**, Seoul (KR)
- (\*\*) Term: **15 Years**
- (21) Appl. No.: **29/735,901**
- (22) Filed: **May 26, 2020**

(30) **Foreign Application Priority Data**

Dec. 9, 2019 (KR) ..... 30-2019-0059363

(51) **LOC (13) Cl.** ..... **14-02**

(52) **U.S. Cl.**  
USPC ..... **D14/371**; D14/126

(58) **Field of Classification Search**  
USPC ..... D14/307, 314, 334, 335, 336, 337, 339,  
D14/340, 371, 373, 374, 375, 376, 377,  
D14/378, 379, 380, 381, 382, 432, 448,  
D14/450, 125, 126, 127, 132, 133, 217,  
D14/305, 389, 424; D6/300, 301, 308  
CPC ..... G06F 1/16; G06F 1/1601; G06F 1/1605;  
G06F 1/162; G06F 1/1637; G06F 1/1643;  
G06F 1/1647; G06F 1/1652; H05K  
5/0004; H05K 5/0017; H05K 5/0217;  
H05K 5/0204; H05K 5/02

See application file for complete search history.

(56) **References Cited**

**U.S. PATENT DOCUMENTS**

D817,900 S \* 5/2018 So ..... D14/126  
D818,450 S \* 5/2018 Lee ..... D14/126

10,649,256 B2 \* 5/2020 Cho ..... G02F 1/133528  
 D888,677 S \* 6/2020 Ryu ..... D14/126  
 D895,617 S \* 9/2020 Little ..... D14/374  
 D900,817 S \* 11/2020 Ryu ..... D14/374  
 2015/0248858 A1 \* 9/2015 Ahn ..... G09G 3/32  
 345/82  
 2018/0063978 A1 \* 3/2018 Kim ..... H05K 5/0234

**OTHER PUBLICATIONS**

Amazon.com\_LG 34WN80C-B Ultrawide Monitor. LG, amazon.com (online) 14 pages. Posted Sep. 1, 2019. [Retrieved Dec. 30, 2021] [https://www.amazon.com/LG-34WN80C-B-inch-Connectivity-compatibility/dp/B07YGZ7C1K/ref=psdc\\_1292115011\\_t3\\_B07KMQT7DB](https://www.amazon.com/LG-34WN80C-B-inch-Connectivity-compatibility/dp/B07YGZ7C1K/ref=psdc_1292115011_t3_B07KMQT7DB) (Year: 2019).\*

\* cited by examiner

*Primary Examiner* — Kathleen L Jones

*Assistant Examiner* — Cole Sanders Holman

(74) *Attorney, Agent, or Firm* — Birch, Stewart, Kolasch & Birch, LLP

(57) **CLAIM**

The ornamental design for a monitor for computer, as shown and described.

**DESCRIPTION**

FIG. 1 is a front, right side, perspective view of a monitor for computer showing our new design;  
FIG. 2 is a rear perspective view thereof;  
FIG. 3 is a front view thereof;  
FIG. 4 is a rear view thereof;  
FIG. 5 is a left side view thereof;  
FIG. 6 is a right side view thereof;  
FIG. 7 is a top view thereof; and,  
FIG. 8 is a bottom view.

The broken lines showing portions of the monitor for computer are included for the purpose of illustrating portions of the article and form no part of the claimed design.

**1 Claim, 8 Drawing Sheets**

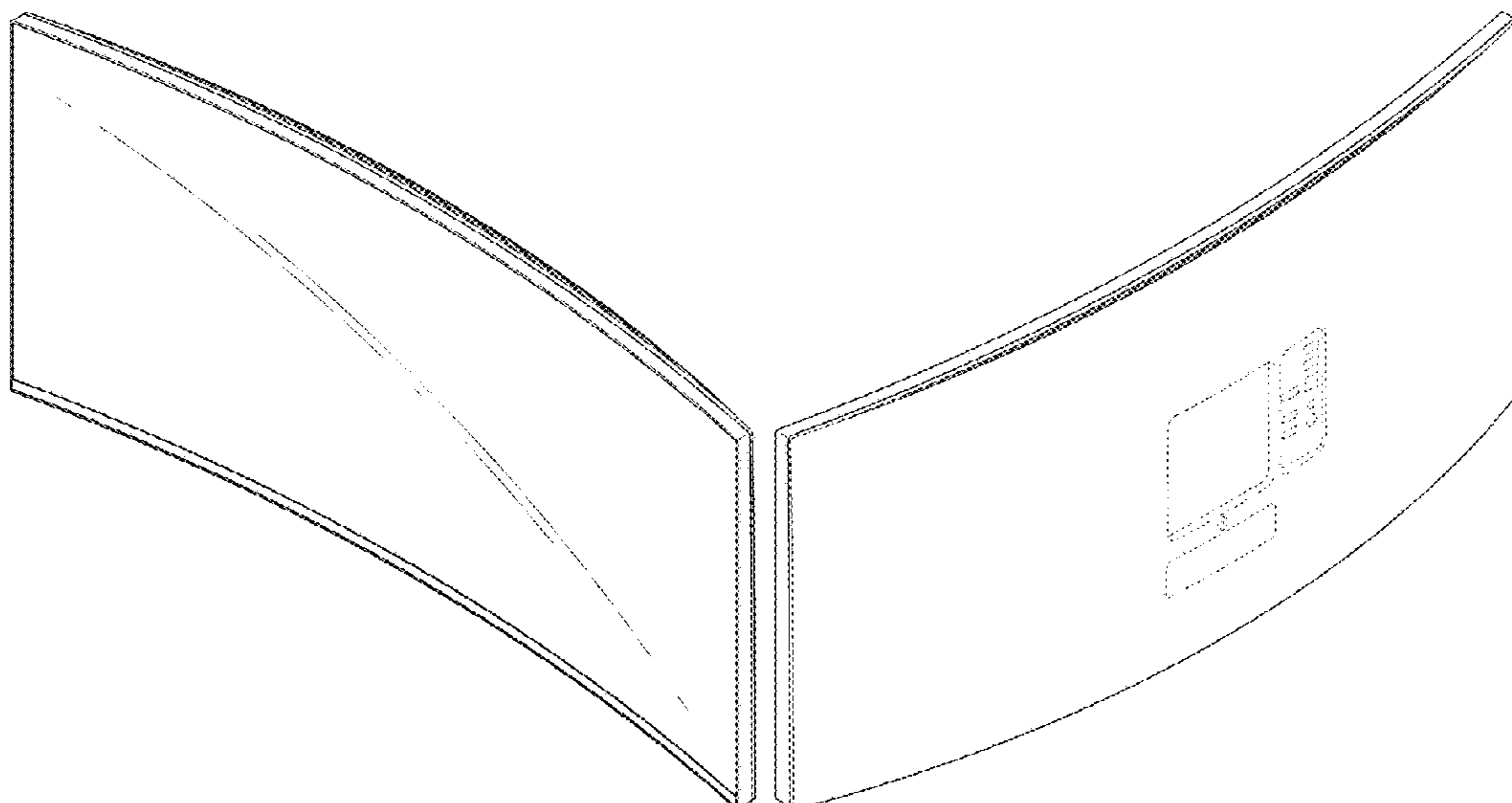


FIG. 1

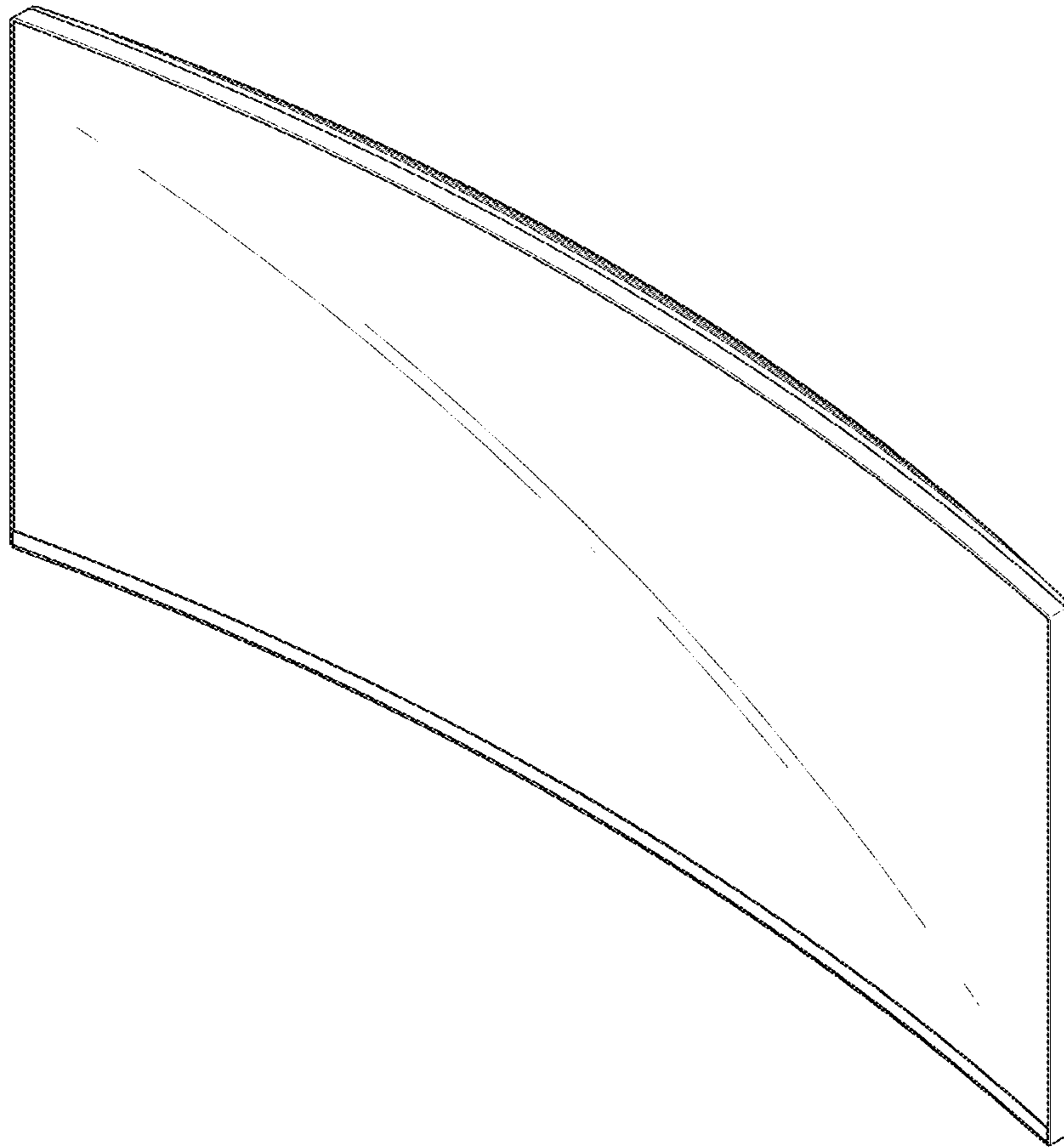


FIG. 2

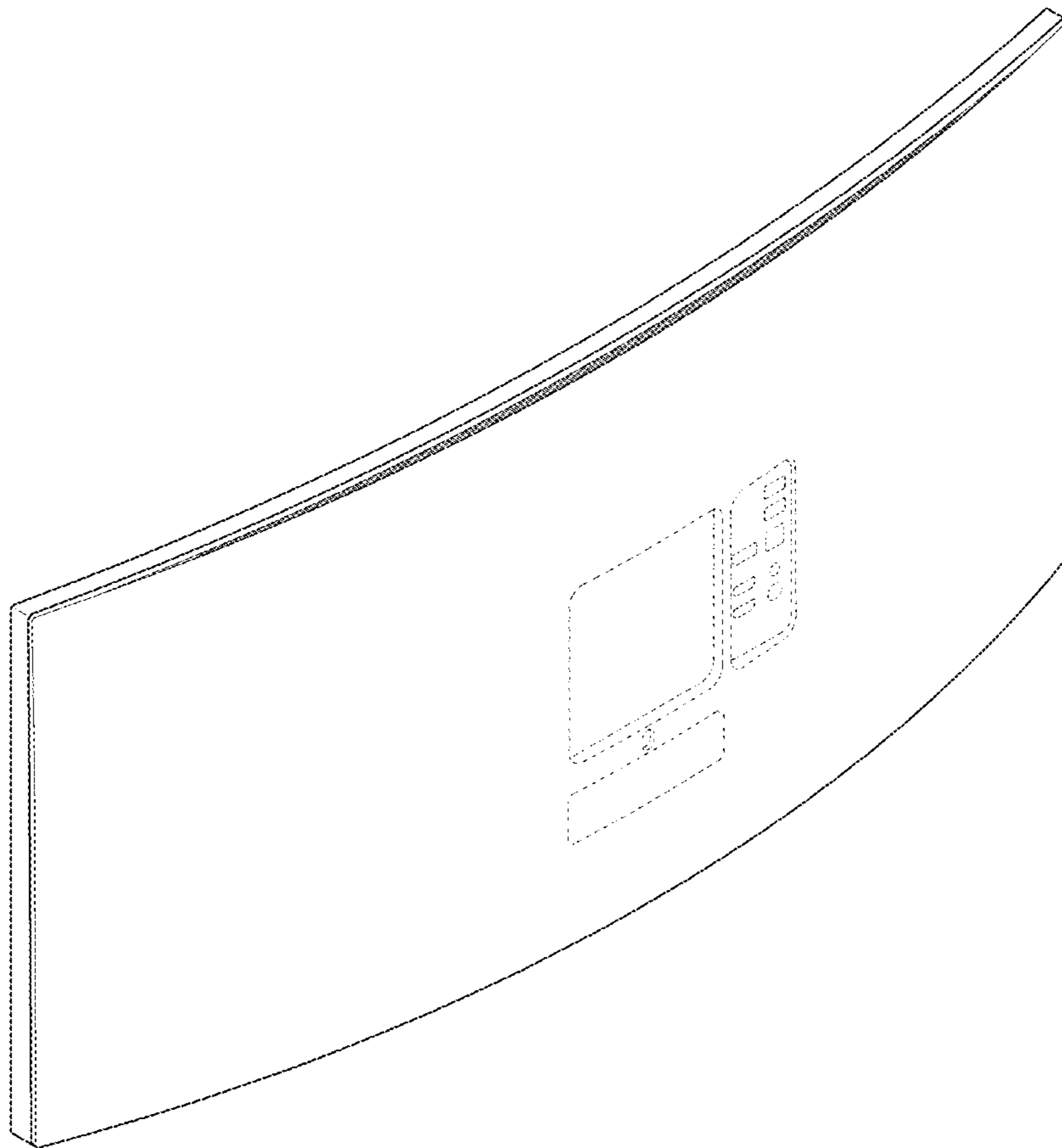


FIG. 3

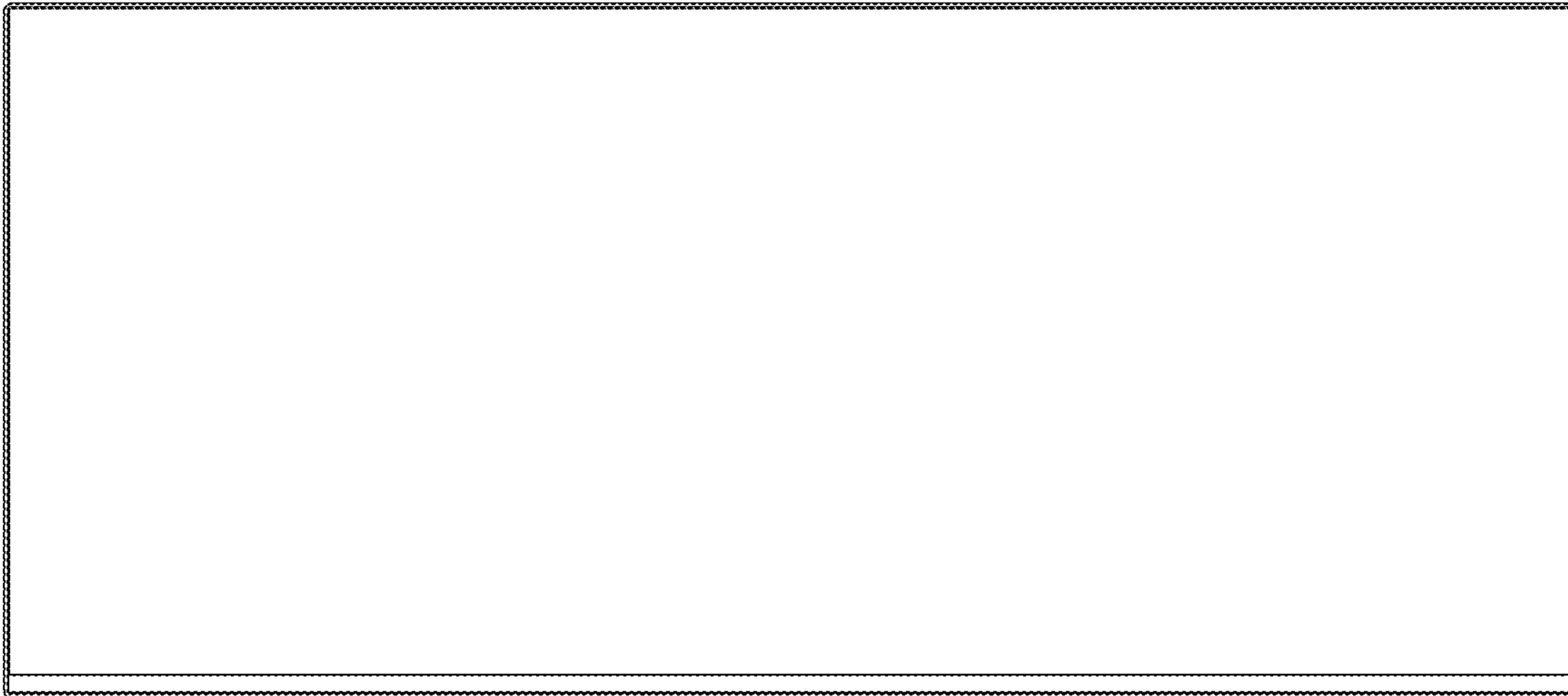


FIG. 4

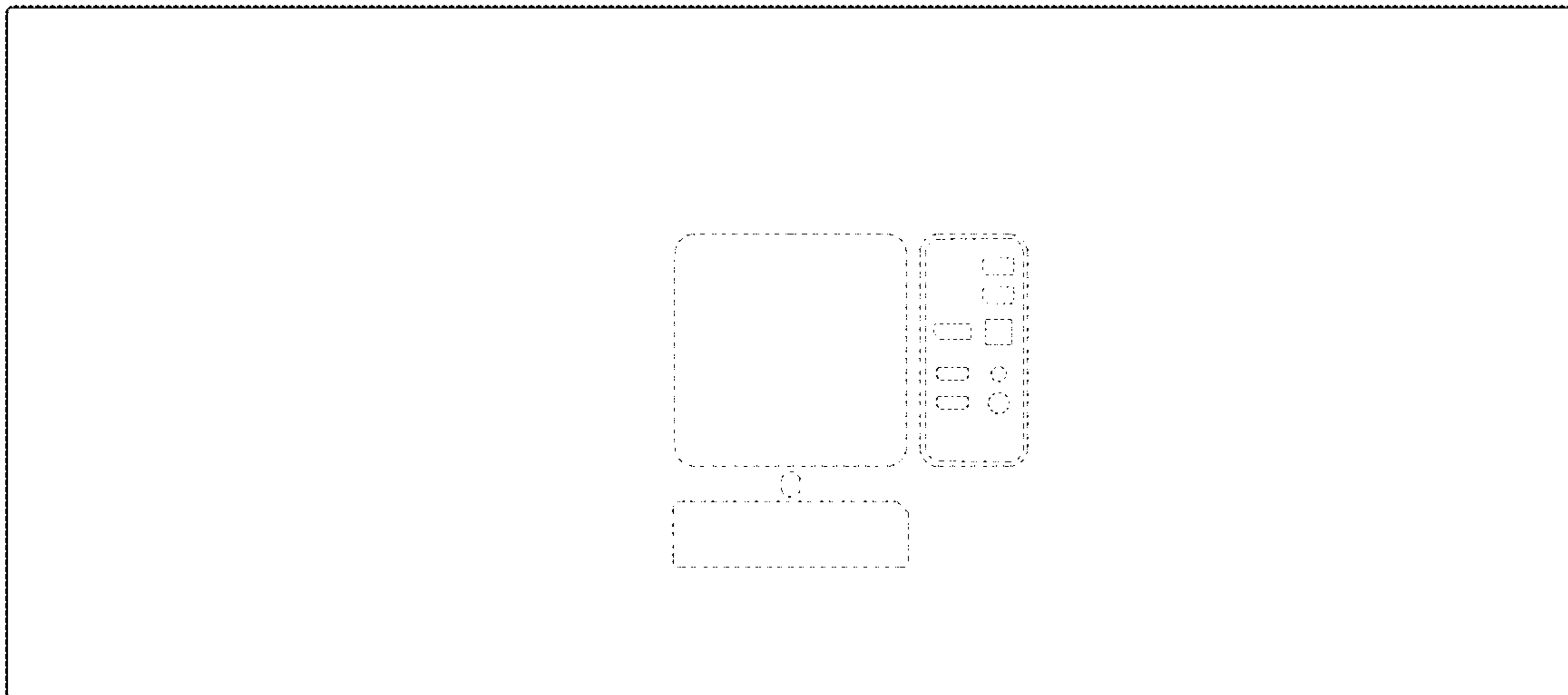


FIG. 5

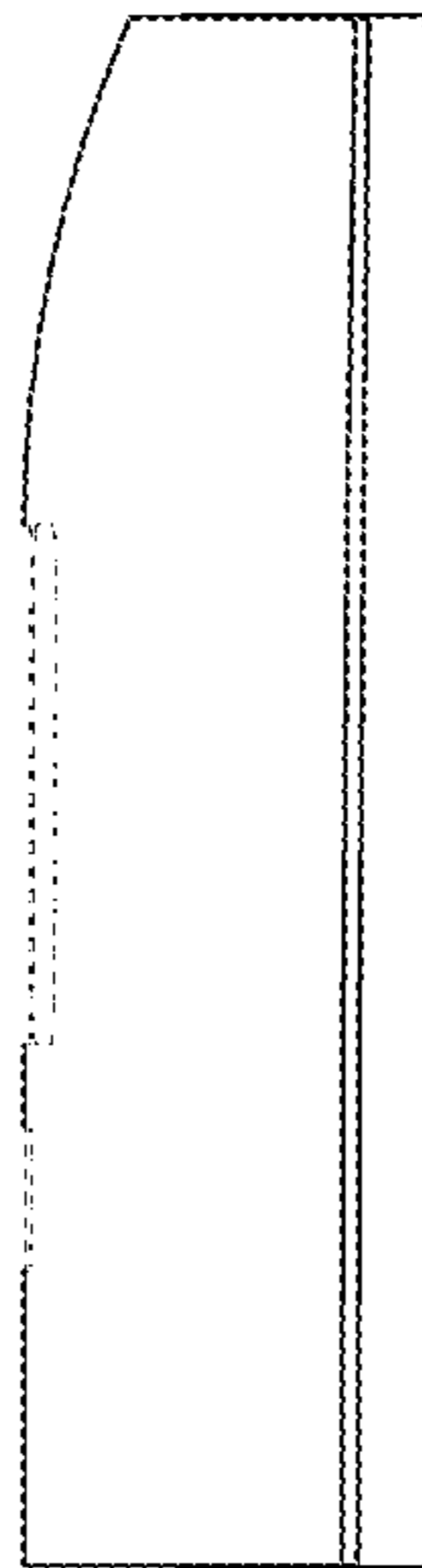


FIG. 6

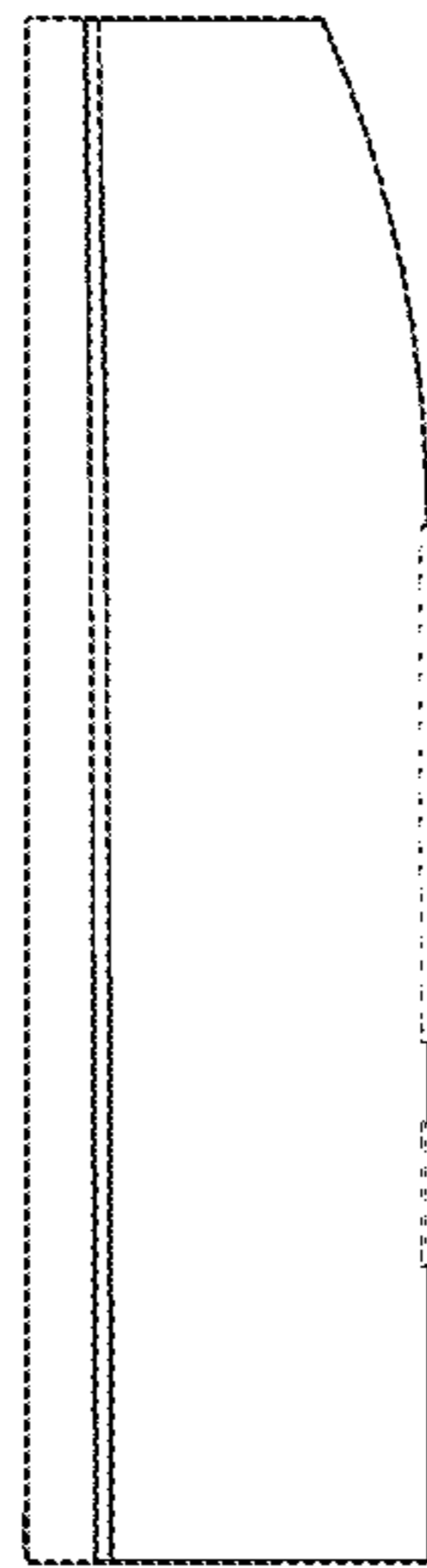


FIG. 7

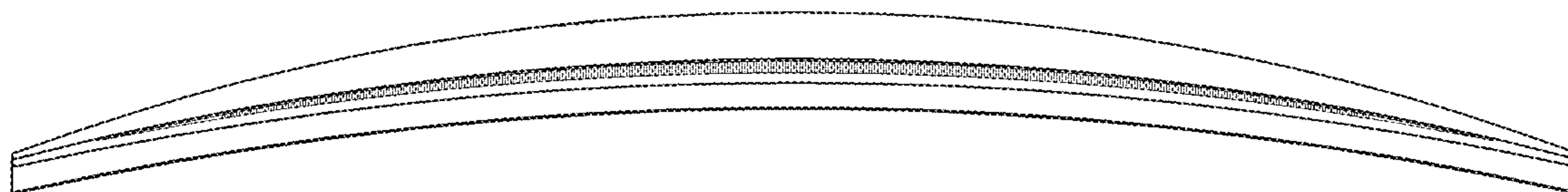




FIG. 8

