



US00D958783S

(12) **United States Design Patent**
Chen

(10) **Patent No.:** **US D958,783 S**

(45) **Date of Patent:** **** Jul. 26, 2022**

(54) **CELL PHONE CASE**

(71) Applicant: **BALLISTIC PRODUCT LIMITED,**
Hongkong (HK)

(72) Inventor: **Wenhua Chen,** Hongkong (HK)

(**) Term: **15 Years**

(21) Appl. No.: **29/800,085**

(22) Filed: **Jul. 19, 2021**

(51) **LOC (13) Cl.** **14-03**

(52) **U.S. Cl.**
USPC **D14/250**

(58) **Field of Classification Search**
USPC D14/203.3–203.7, 439, 251–253, 447,
D14/217, 240, 238.1, 440, 248, 250;
D13/103, 107–108, 119; D3/201, 218,
D3/247, 249, 269, 273, 301, 303
CPC H04B 1/3888; A45C 11/00; A45C 13/02;
A45C 2011/002; A45C 1/06; A45F
2200/0525; A45F 2005/026; A45F
2200/0516; H04M 1/0283; H04M 1/0202
See application file for complete search history.

(56) **References Cited**

U.S. PATENT DOCUMENTS

D470,840 S *	2/2003	Skjoth	D3/218
D673,159 S *	12/2012	McCarthy	D14/440
D675,197 S *	1/2013	Losiewicz	D14/250
8,428,664 B1 *	4/2013	Wyers	F16M 13/04 455/575.1
8,690,210 B1 *	4/2014	May	G06F 1/163 224/217
D705,767 S *	5/2014	Yoon	D14/250
D717,780 S *	11/2014	Tussy	D14/250
D725,659 S *	3/2015	Tussy	D14/440
D733,696 S *	7/2015	Burgett	D14/250
D738,872 S *	9/2015	Erickson-Davis	D3/218
D743,409 S *	11/2015	Chen	D14/447

D746,275 S	12/2015	Mohammad	
9,277,804 B1 *	3/2016	Gennodie A45C 1/02
D753,641 S *	4/2016	Roberts D14/250
D769,854 S *	10/2016	Duval D14/250
D771,030 S *	11/2016	Tussy D14/250
D777,162 S *	1/2017	Erickson-Davis D14/250
D780,738 S	3/2017	Barfoot et al.	
D782,459 S *	3/2017	Shannon, III D14/250
D787,497 S *	5/2017	Friedland D14/250
D789,076 S *	6/2017	Pierre D3/218
D794,007 S *	8/2017	Zhang D14/250
D803,823 S *	11/2017	Feng D14/250
D821,380 S *	6/2018	Cramer D14/250
D830,367 S *	10/2018	Chang D14/440
D875,089 S *	2/2020	Hemesath D14/250
D894,889 S *	9/2020	Feller D14/251

(Continued)

Primary Examiner — Carla J Wright

(57) **CLAIM**

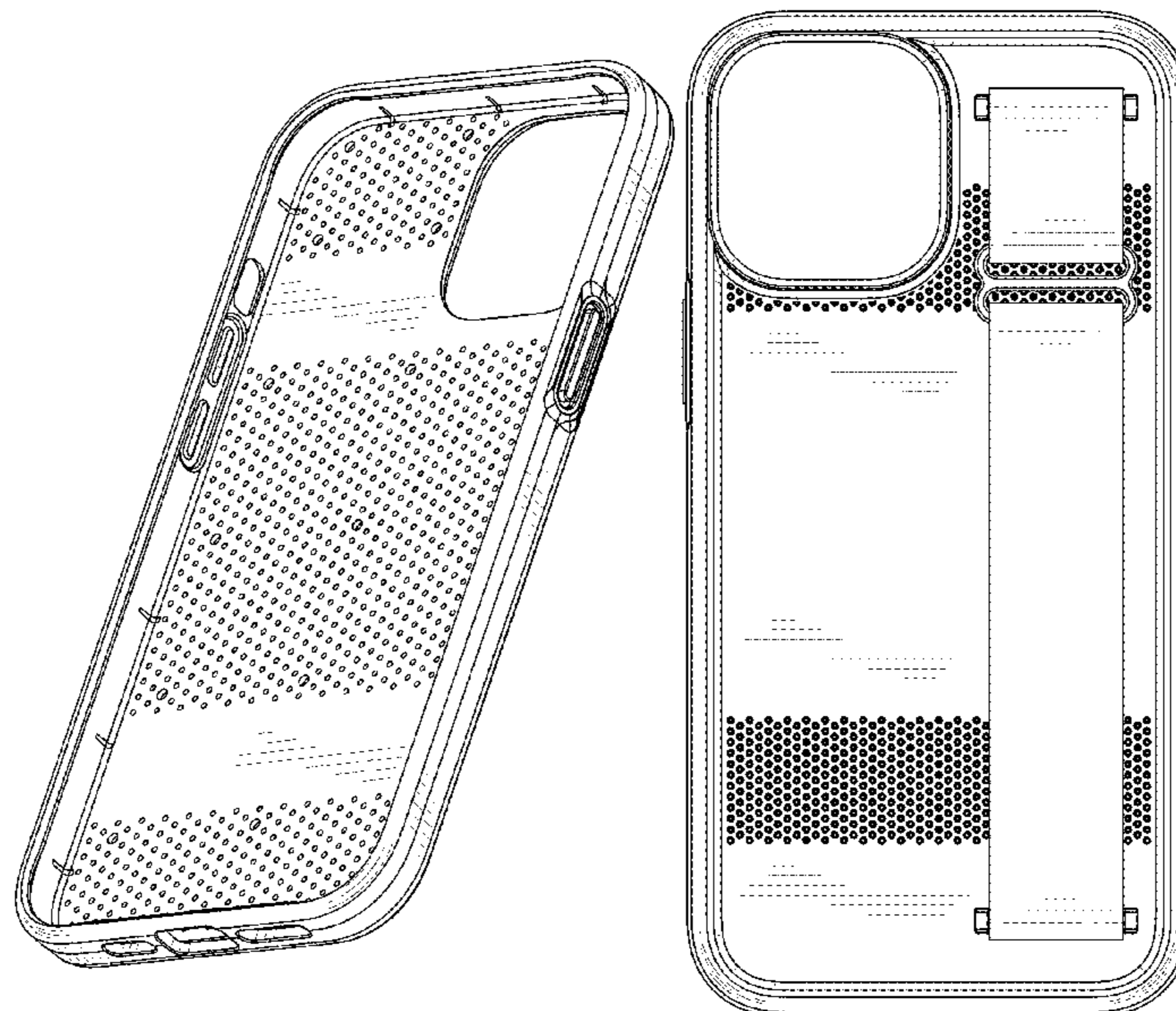
The ornamental design for a cell phone case, as shown and described.

DESCRIPTION

FIG. 1 is a front, right-side, and bottom perspective view of a cell phone case showing my new design;
FIG. 2 is a front view thereof;
FIG. 3 is a rear view thereof;
FIG. 4 is a left side view thereof;
FIG. 5 is a right side view thereof;
FIG. 6 is a top plan view thereof; and
FIG. 7 is a bottom plan view thereof.
FIG. 8 is a rear, right-side, and bottom perspective view thereof; and,
FIG. 9 is an enlarged detail view of the encircled portion of FIG. 8.

The broken line circle in FIGS. 8 and 9 forms no part of the claimed design and delineates a portion of the cell phone case that is part of the claimed design and that is shown on an enlarged scale in FIG. 9.

1 Claim, 9 Drawing Sheets



(56)

References Cited

U.S. PATENT DOCUMENTS

D920,336 S * 5/2021 Cheng D14/440
D929,382 S * 8/2021 Gwyn D14/251
D933,645 S * 10/2021 Tsang D14/250
2017/0349116 A1* 12/2017 Liao G06F 1/181
2019/0350351 A1* 11/2019 Mody A45F 5/00
2020/0154868 A1* 5/2020 Hines-Lucas A45C 11/182

* cited by examiner

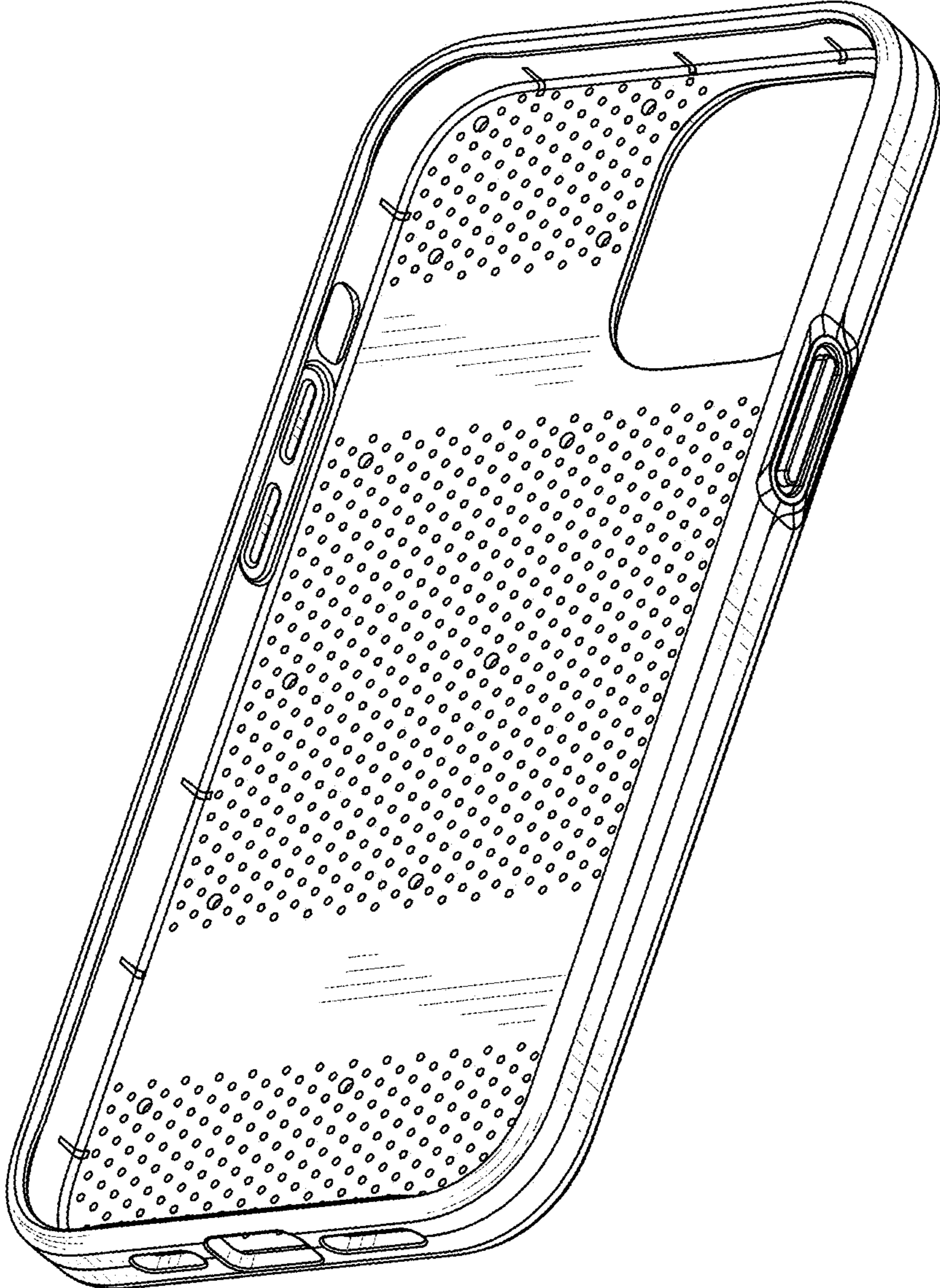


FIG. 1

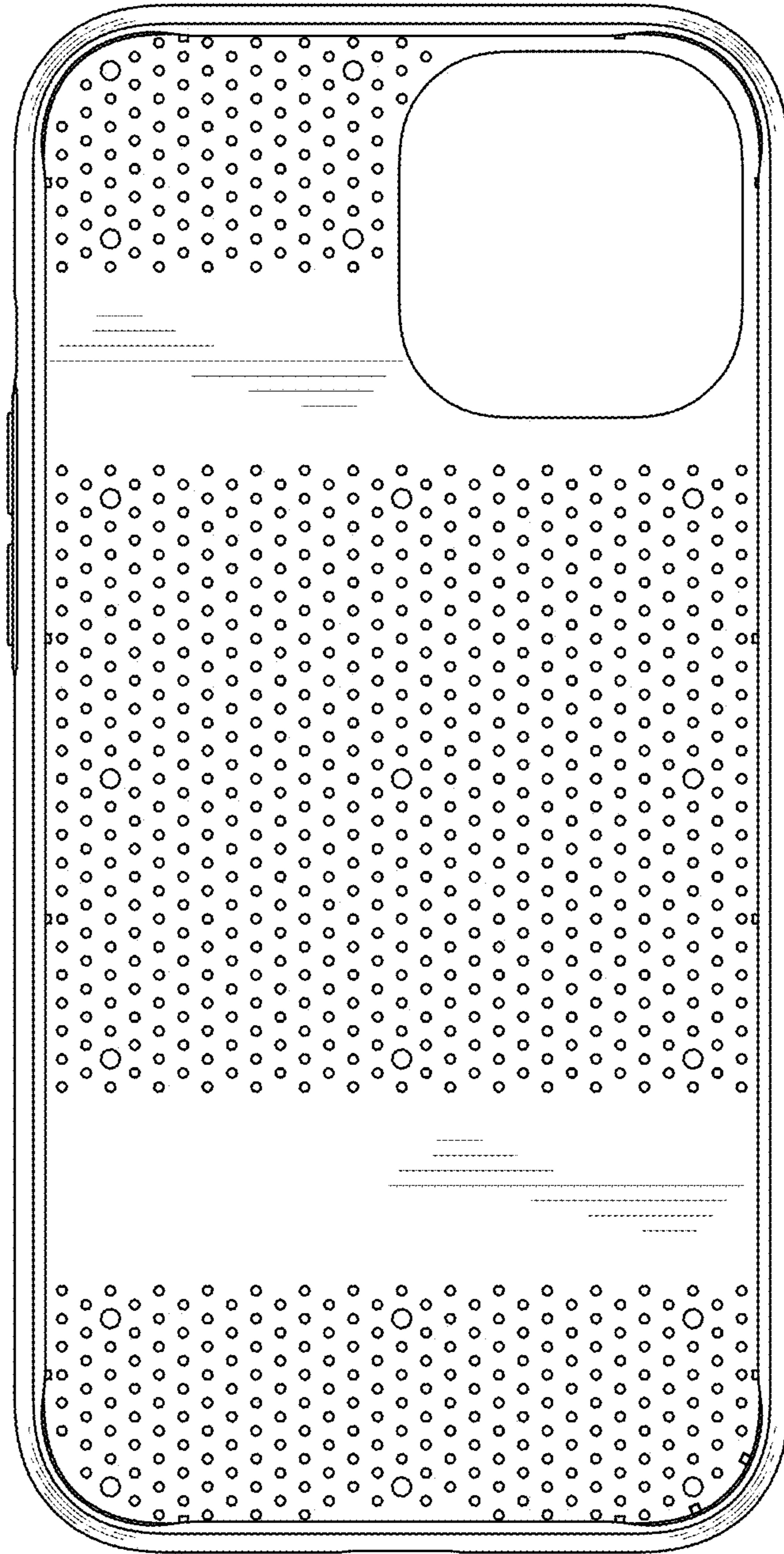


FIG.2

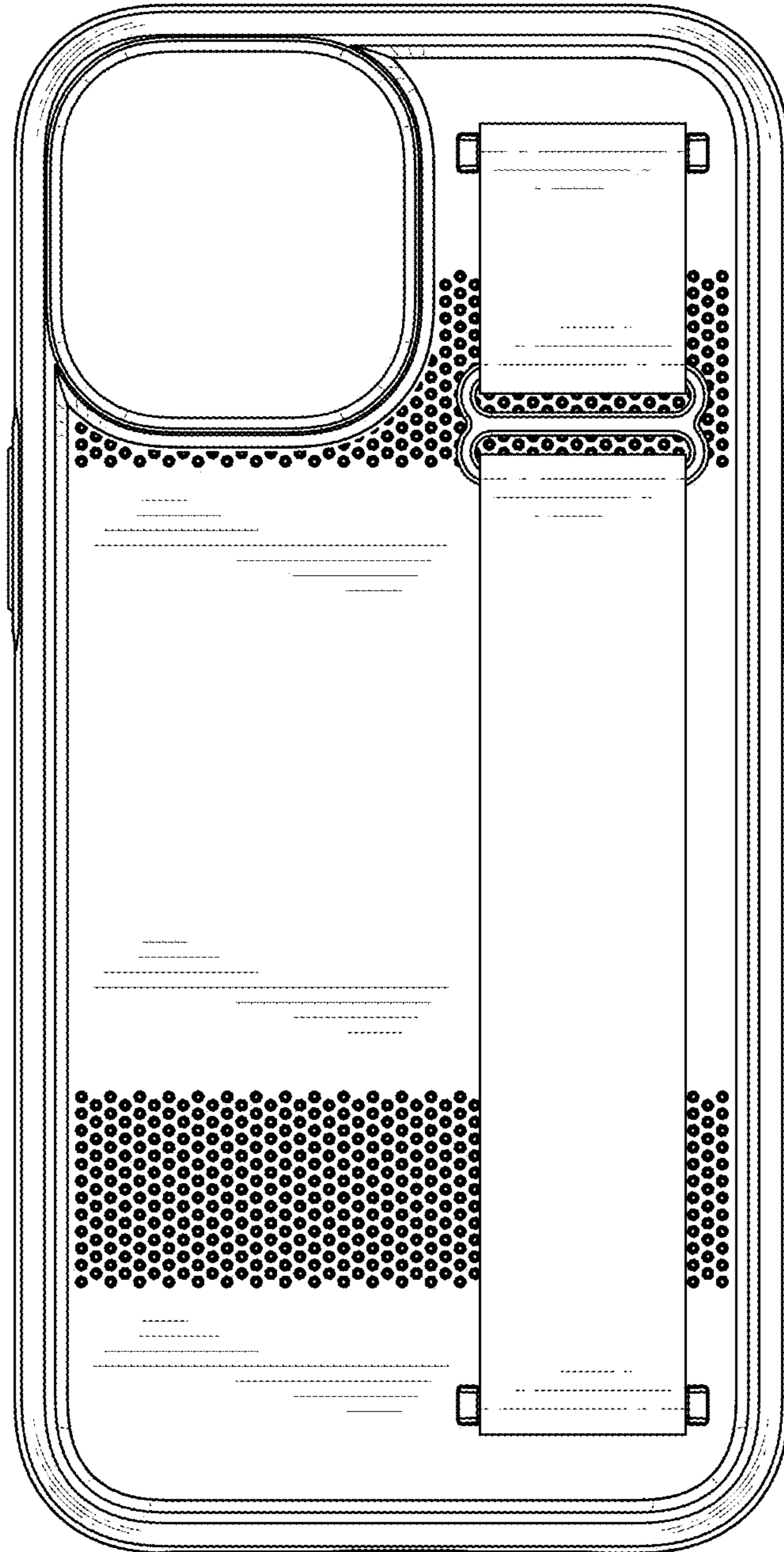


FIG.3

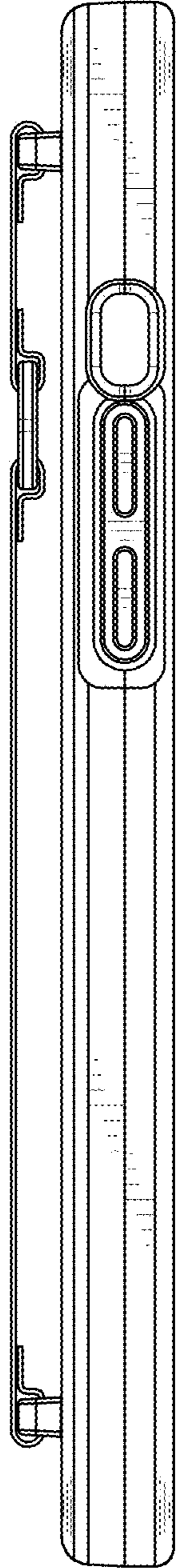


FIG.4

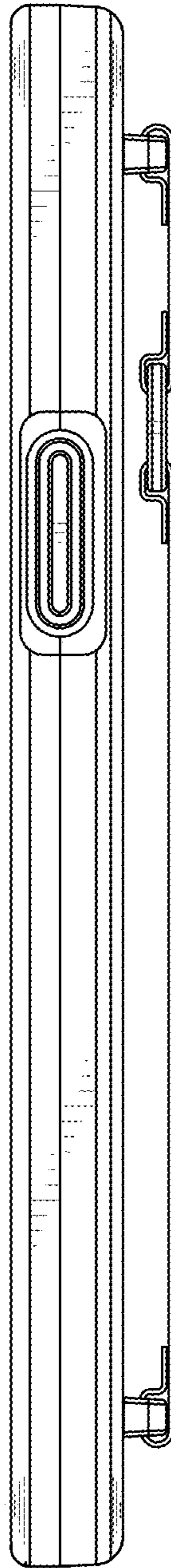


FIG.5

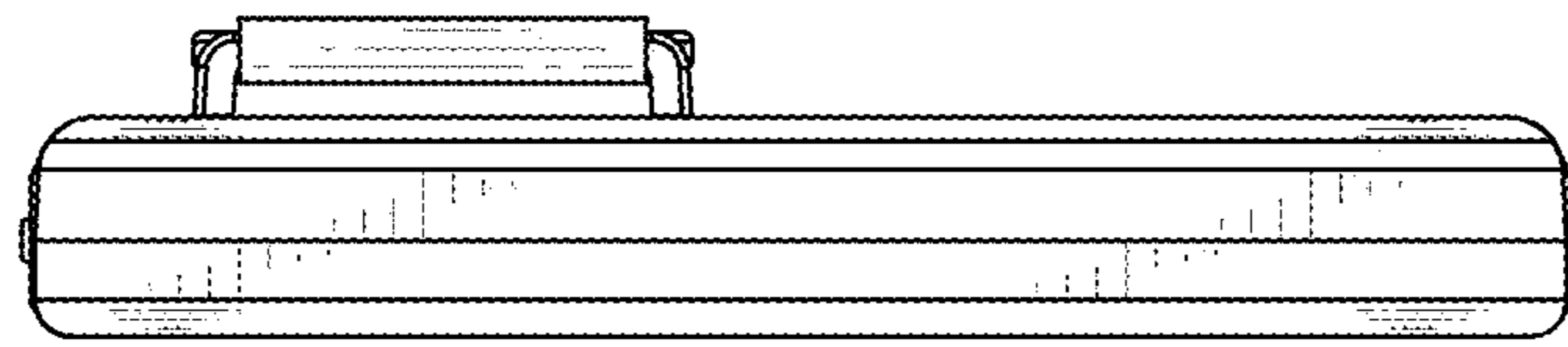


FIG.6

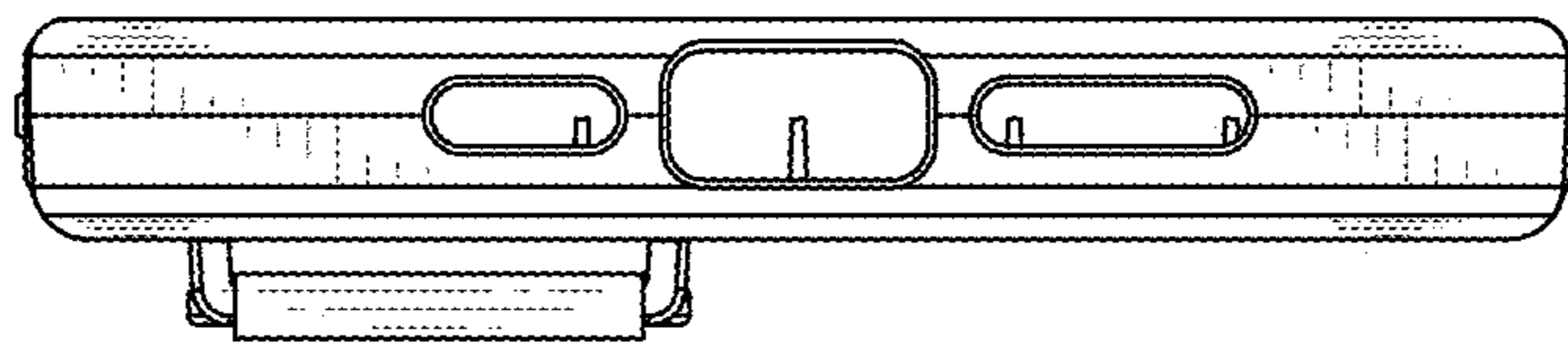


FIG.7

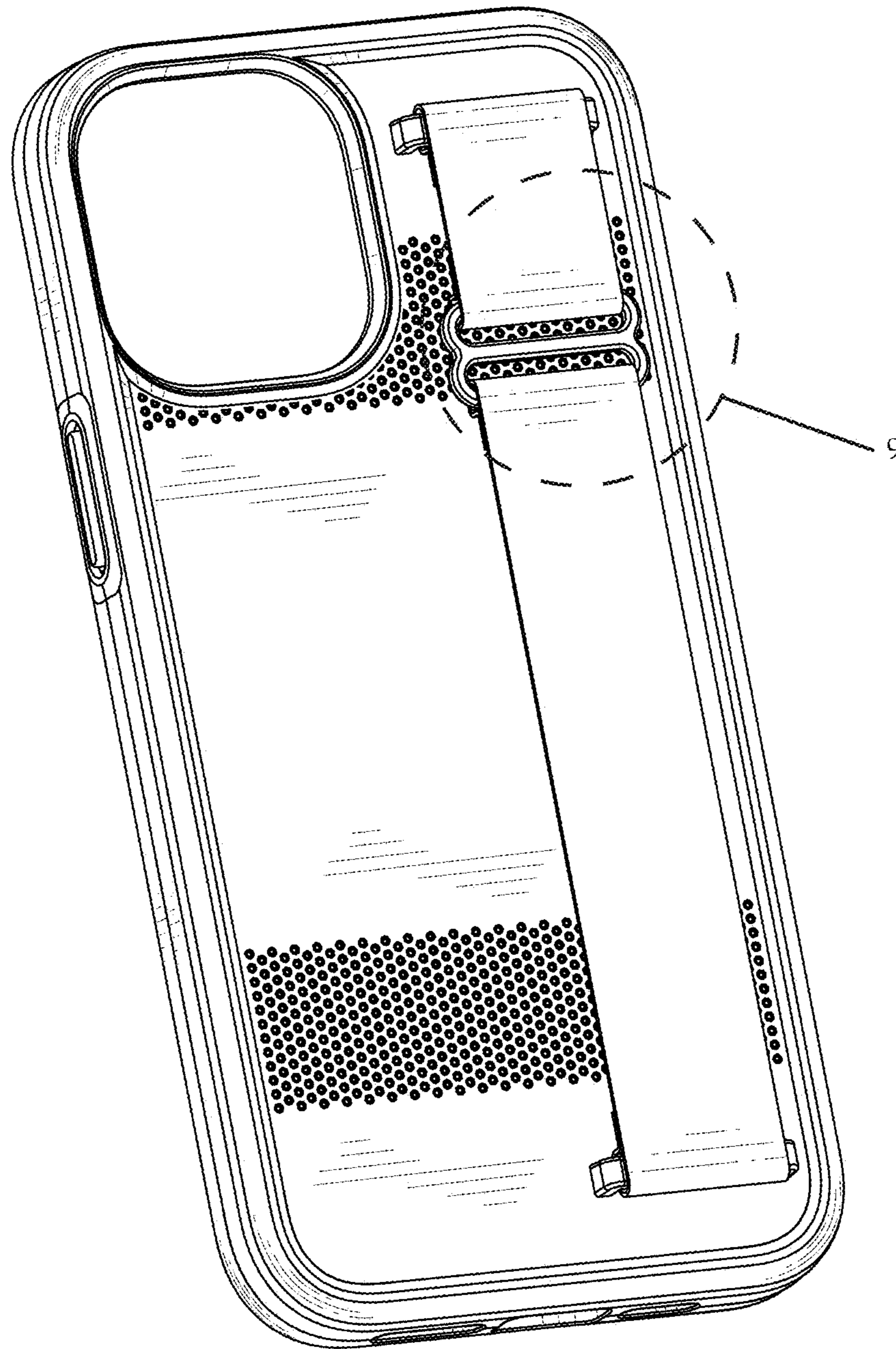


FIG.8

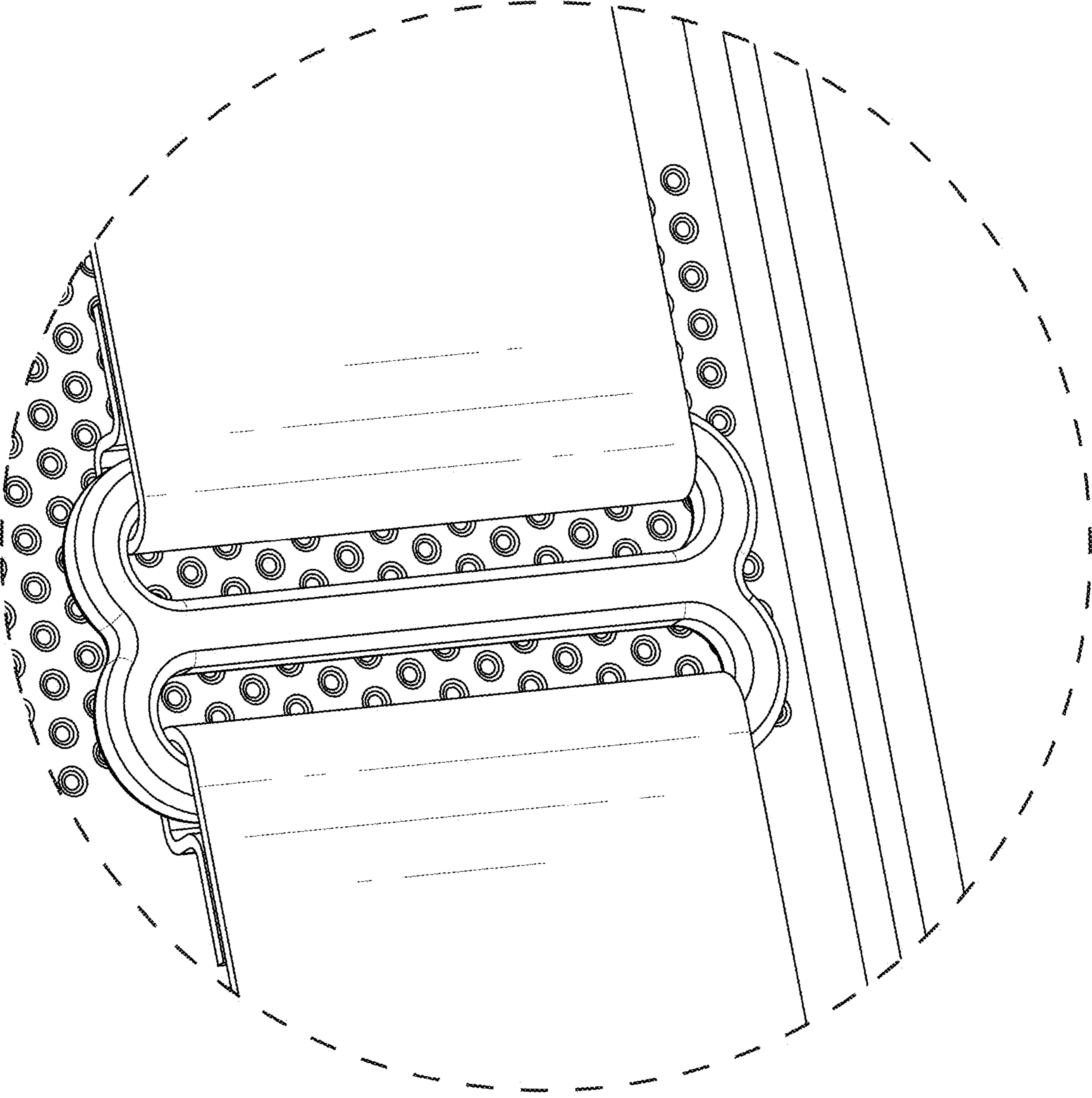


FIG.9