



US00D958777S

(12) **United States Design Patent** (10) **Patent No.:** **US D958,777 S**
Lee (45) **Date of Patent:** **** Jul. 26, 2022**

(54) **STAND FOR A TV RECEIVER**

(71) Applicant: **LG ELECTRONICS INC.**, Seoul (KR)
(72) Inventor: **Nari Lee**, Seoul (KR)
(73) Assignee: **LG ELECTRONICS INC.**, Seoul (KR)

(**) Term: **15 Years**

(21) Appl. No.: **29/751,529**

(22) Filed: **Sep. 22, 2020**

(30) **Foreign Application Priority Data**

Apr. 9, 2020 (KR) 30-2020-0015925

(51) **LOC (13) Cl.** **14-03**

(52) **U.S. Cl.**
USPC **D14/239**

(58) **Field of Classification Search**

USPC D14/239, 371, 372-374, 447-452, 125, D14/127-129, 335-337, 375-377, 341, D14/126, 211, 238, 447-448; D8/355, D8/363, 373, 380, 366, 376, 377, 354; D6/672, 682, 553, 300, 310-313, 308, D6/708; D25/121, 119
CPC F16M 11/2085; F16M 11/2092; F16M 11/2007; F16M 11/2014; F16M 11/2021; F16M 11/105; F16M 11/10; F16M 11/048; F16M 11/12; F16M 13/022; F16M 13/02; F16M 13/00; F16M 11/04; F16M 2200/08;

(Continued)

(56) **References Cited**

U.S. PATENT DOCUMENTS

6,697,118 B2 * 2/2004 Zadok G03B 17/563 348/375
D552,607 S * 10/2007 Cleland D14/358

(Continued)

OTHER PUBLICATIONS

LG made a battery-powered TV that you can wheel around on a stand, first available Dec. 13, 2021, theverge.com, [online], [site visited Dec. 15, 2021], Available from internet URL: https://www.theverge.com/2021/12/13/22832356/lg-stanbyme-portable-tv-object-announced-design-specs (Year: 2021).*

(Continued)

Primary Examiner — Samantha Q Lawrence

Assistant Examiner — Holly M Rodriguez

(74) *Attorney, Agent, or Firm* — Birch, Stewart, Kolasch & Birch, LLP

(57) **CLAIM**

The ornamental design for a stand for a TV receiver, as shown and described.

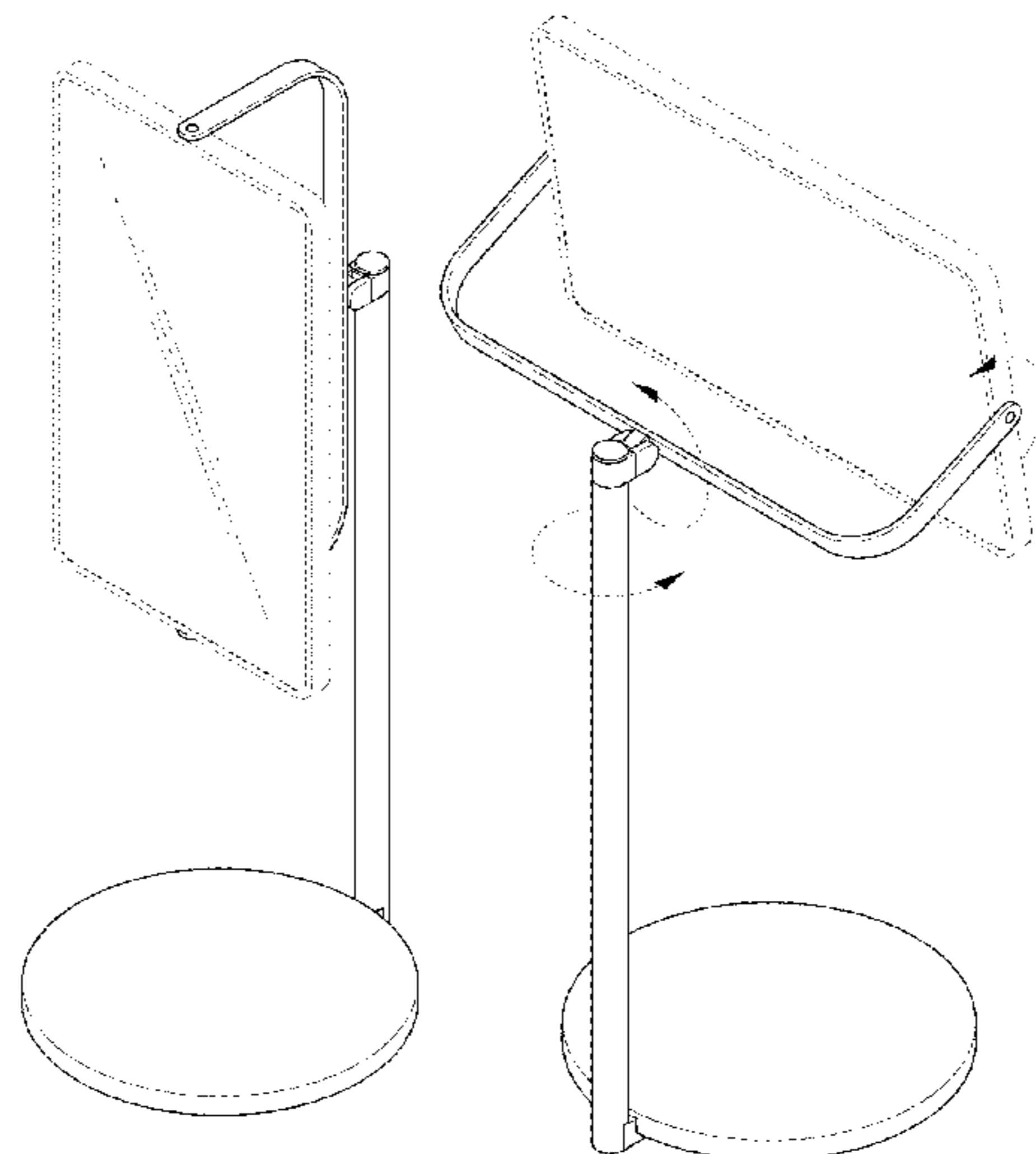
DESCRIPTION

FIG. 1 is a front, right side, perspective view of a stand for a TV receiver showing our new design; FIG. 2 is a front view thereof; FIG. 3 is a rear view thereof; FIG. 4 is a left side view thereof; FIG. 5 is a right side view thereof; FIG. 6 is a top view thereof; FIG. 7 is a bottom view thereof; FIG. 8 is a reference view thereof; FIG. 9 is a reference view thereof; FIG. 10 is a reference view thereof; and, FIG. 11 is a reference view thereof.

FIGS. 8 to 11 show a state of use in which a television is combined with a stand and the direction of a television can be adjusted by combining with a stand.

The broken lines shown in the figures illustrate environmental structure and form no part of the claimed design. The broken line arrows shown in FIG. 8 indicate direction of movement and form no part of the claimed design.

1 Claim, 10 Drawing Sheets



(58) **Field of Classification Search**

CPC ... H04N 5/655; H02G 3/126; A47B 21/0314;
A47B 88/044; A47B 21/0335; A47G
1/17; A47K 2201/001; F16B 47/00; F16B
47/006

See application file for complete search history.

D883,967 S * 5/2020 Huang D14/240
D928,701 S * 8/2021 Liao D13/108
D933,974 S * 10/2021 Choi D6/310

OTHER PUBLICATIONS

Tablet Stand Holder with Phone Mount, first available Oct. 16, 2020, amazon.com, [online], [site visited Dec. 15, 2021], Available from internet URL:https://www.amazon.com/Tablet-Holder-Adjustable-Compatible-4-7-12-9/dp/B08L9GHCNW/ref=sr_1_286?keywords=tablet%2Bstand&qid=163959950%E2%80%A6&th=1 (Year: 2020).*
SAIJI Tablet Stand Holder, first available Jan. 19, 2021, amazon.co.uk, [online], [site visited Dec. 15, 2021], Available from internet URL:https://www.amazon.co.uk/SAIJI-Adjustable-Aluminum-Rotating-Compatible-Silver/dp/B08TC791ZC/ref=pd_sbs_12/257-3316196-6551215?pd_rd_w%E2%80%A6=undefined&th=1 (Year: 2021).*
Tryone Tablet Stand, first available Aug. 4, 2020 amazon.co.uk, [online], [site visited Dec. 15, 2021], Available from internet URL:https://www.amazon.co.uk/dp/B089N3KR3W/ref=sspa_dk_detail_0?pd_rd_w=Kk0yj&pf_rd_p=828203ef-618e-4303-a028-460d6b615038&pd_rd_wg=lj%E2%80%A6&th=1 (Year: 2020).*

* cited by examiner

(56) **References Cited**

U.S. PATENT DOCUMENTS

D681,647 S * 5/2013 Choi D14/451
D724,072 S * 3/2015 Jiang D14/253
D733,156 S * 6/2015 Choi D14/447
D733,157 S * 6/2015 Kim D14/447
D769,202 S * 10/2016 Jung D14/125
D805,522 S * 12/2017 Won D14/451
D822,032 S * 7/2018 Kwon D14/451
D826,887 S * 8/2018 Kymm D14/126
D827,598 S * 9/2018 Kwon D14/125
D835,113 S * 12/2018 Kim D14/447
D839,248 S * 1/2019 Hwang D14/239
D850,427 S * 6/2019 Hwang D14/239

FIG. 1

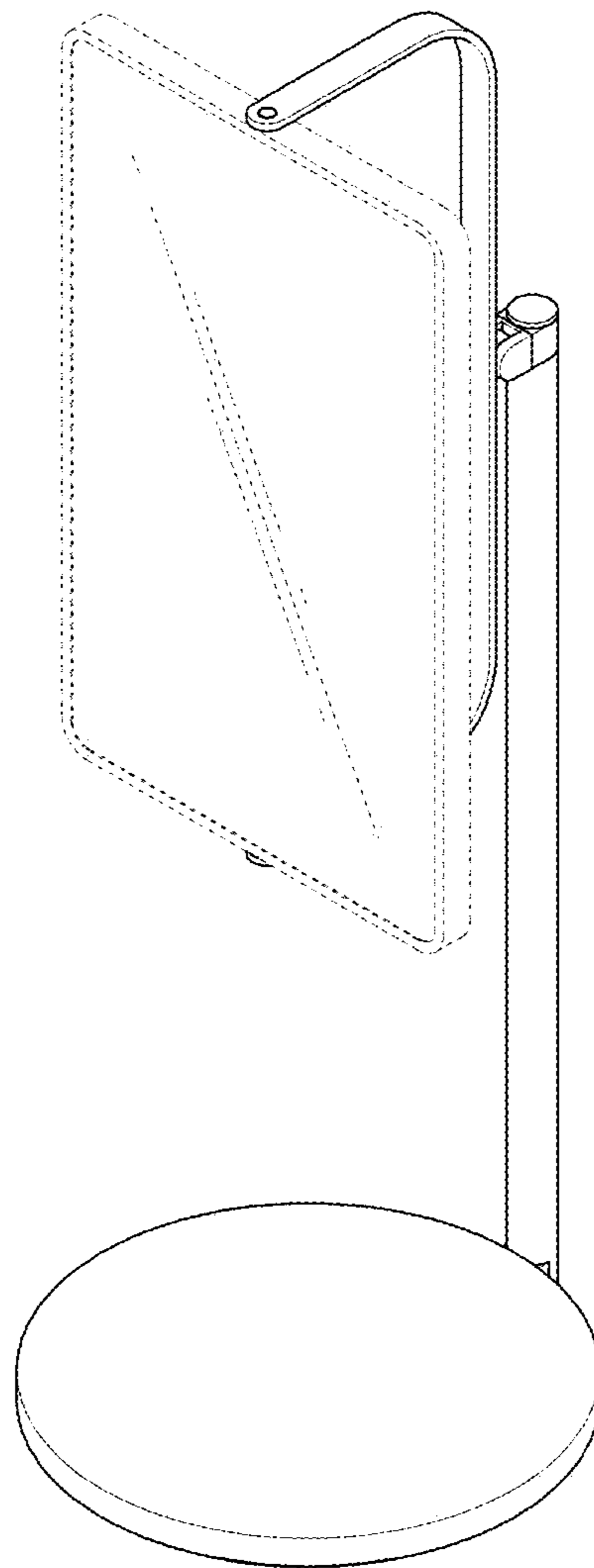


FIG. 2

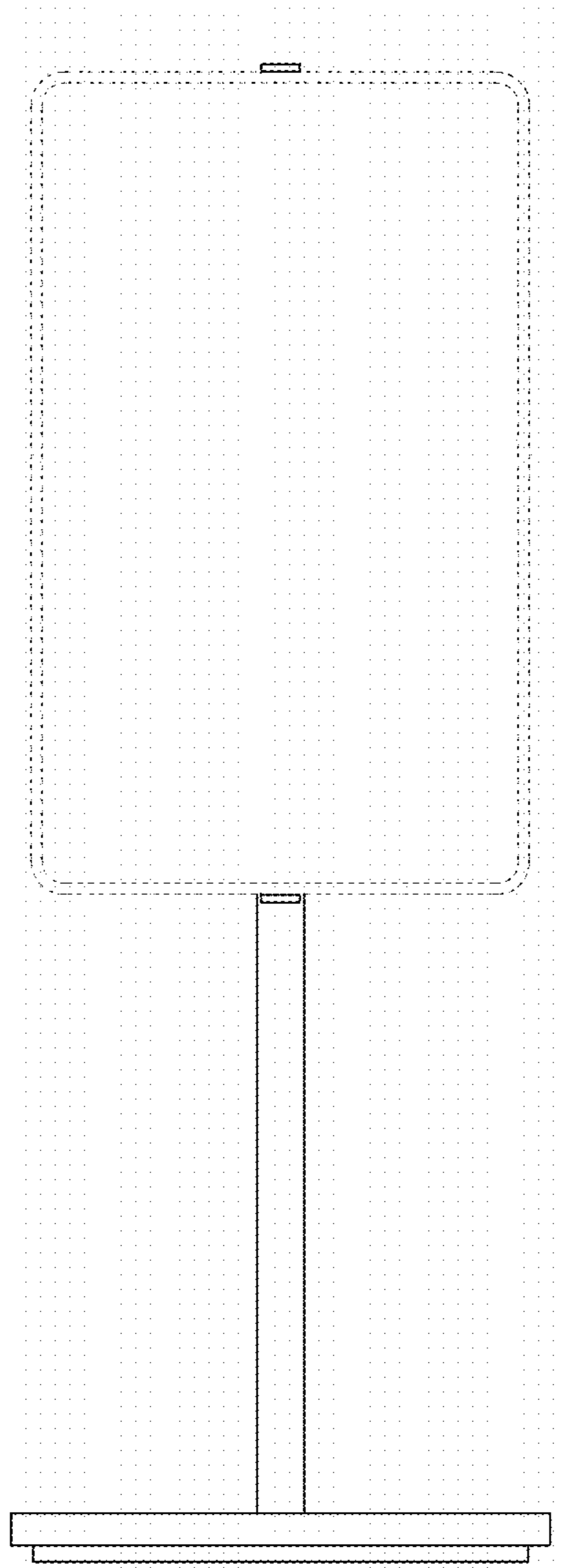


FIG. 3

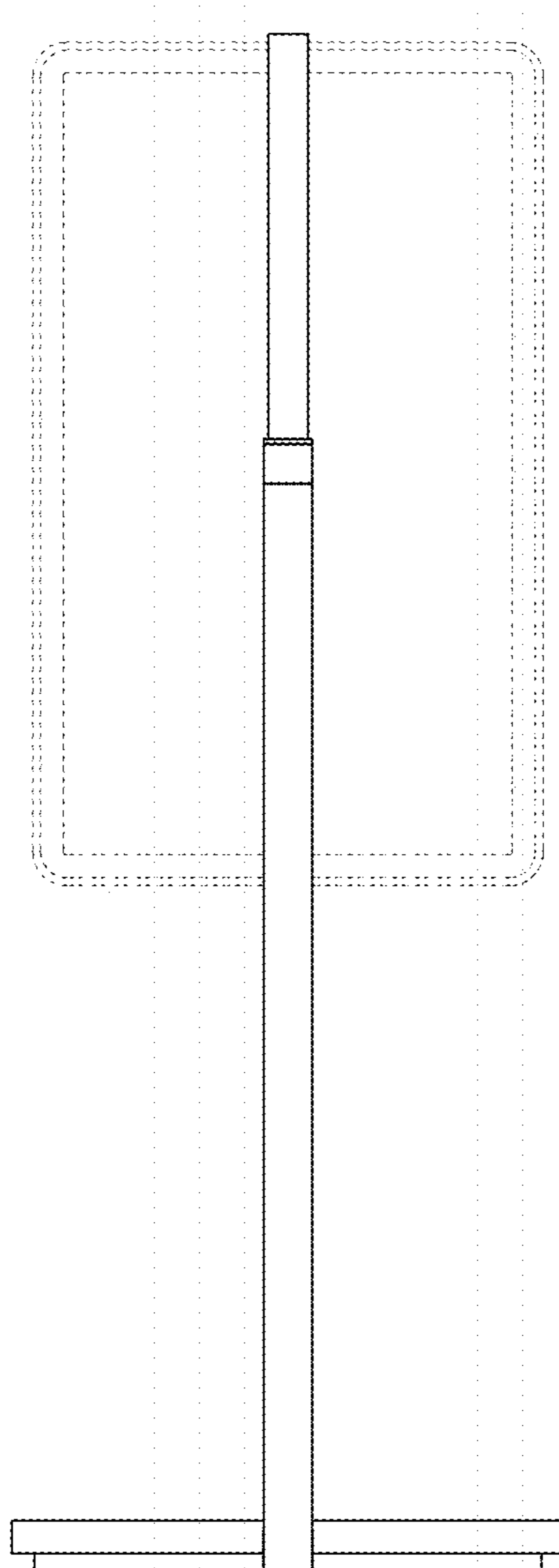


FIG. 4

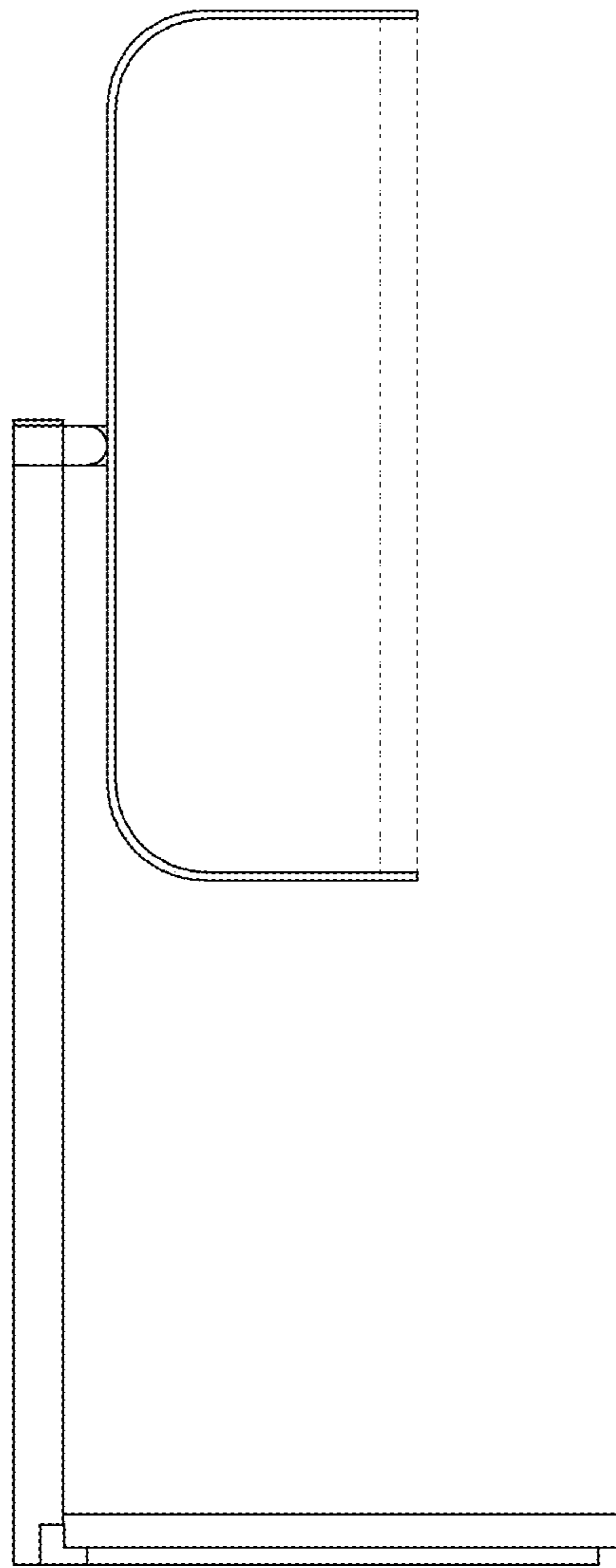


FIG. 5

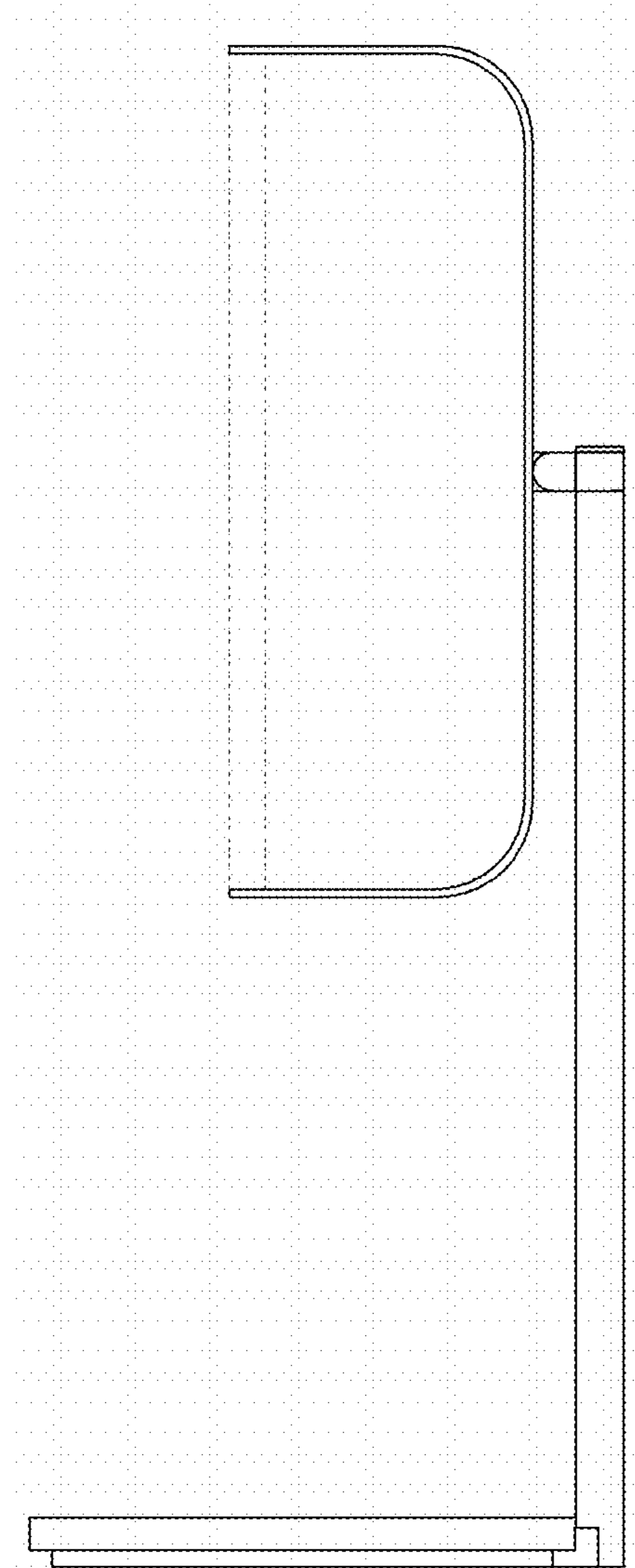


FIG. 6

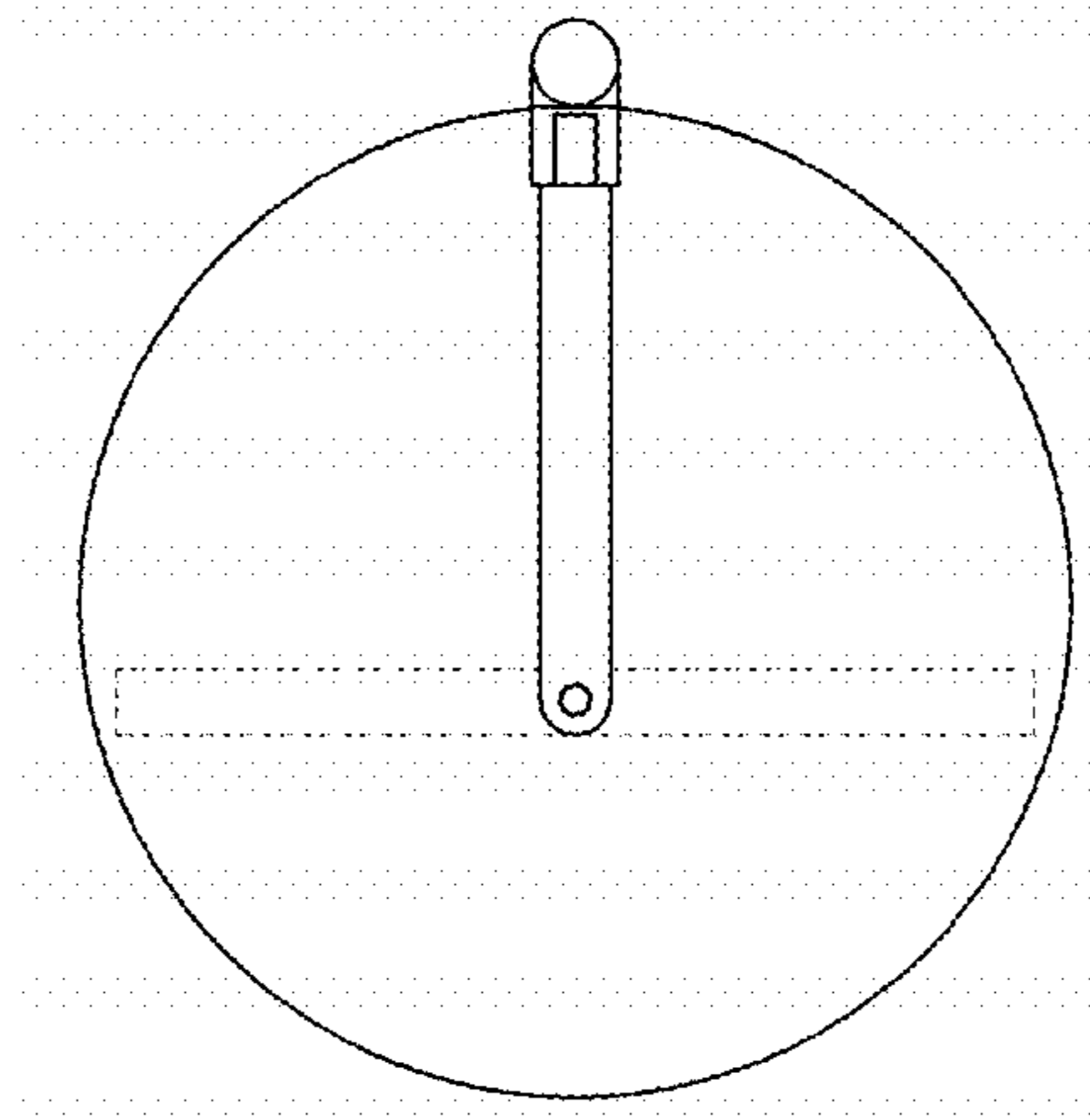


FIG. 7

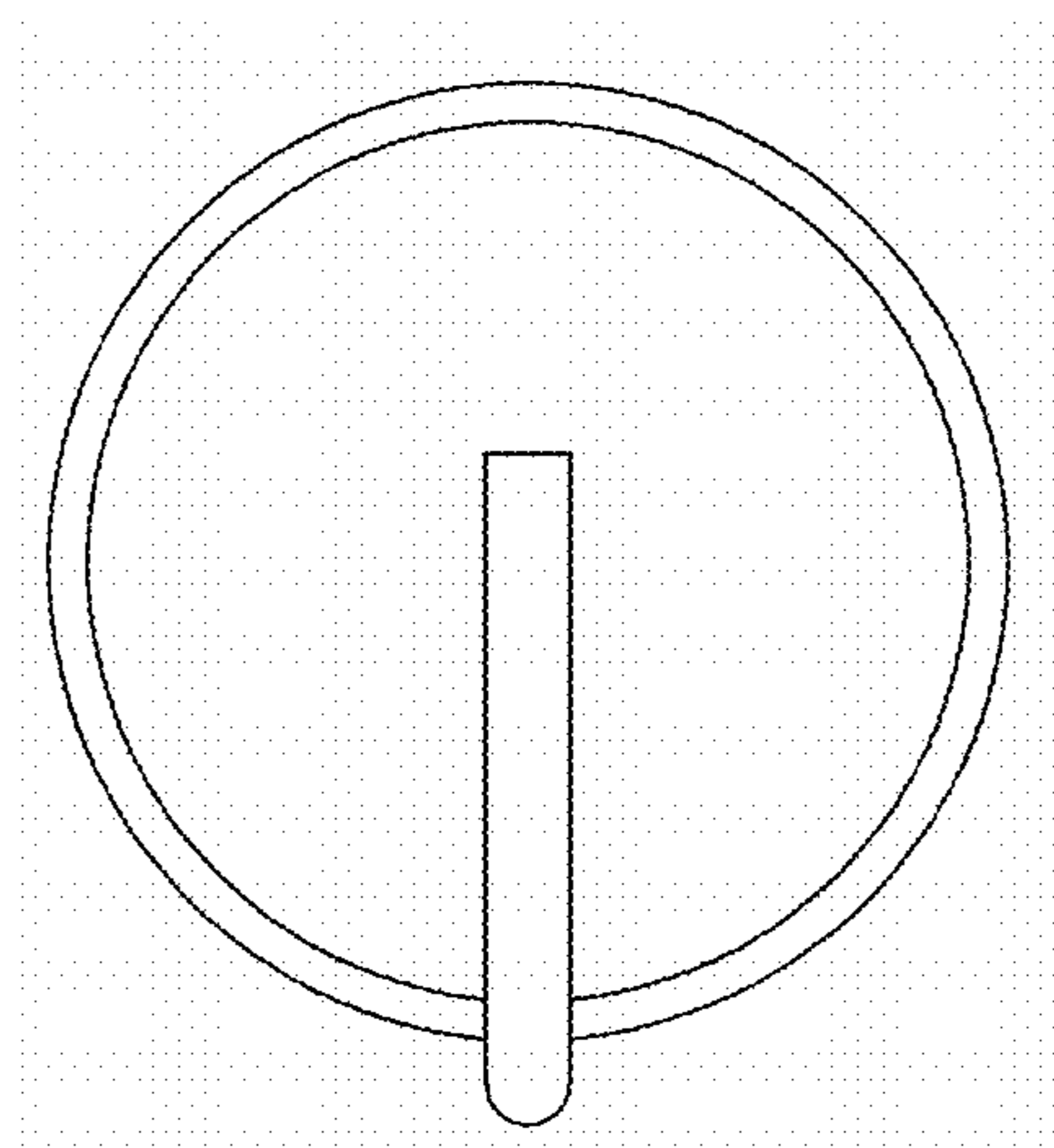


FIG. 8

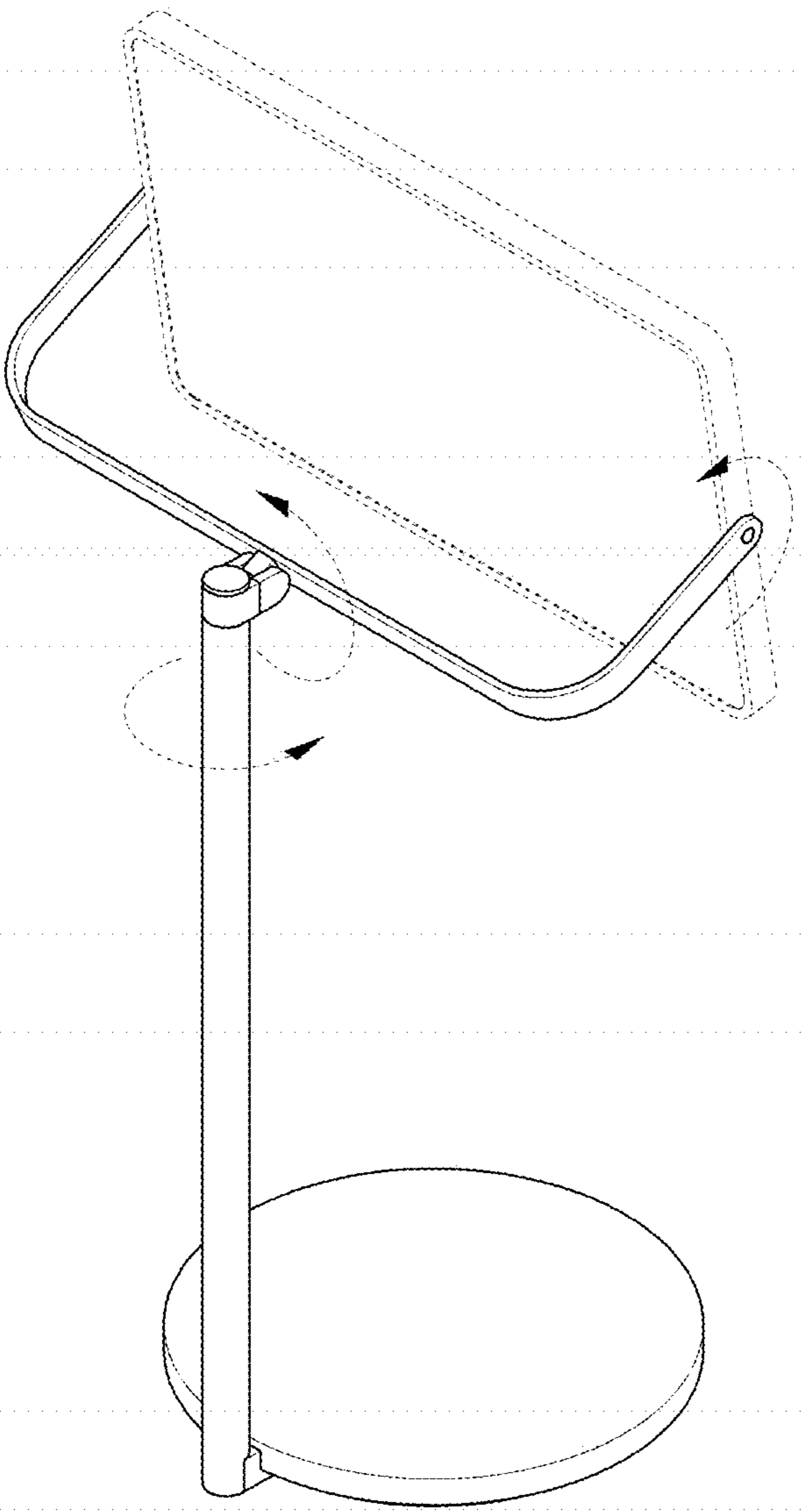


FIG. 9

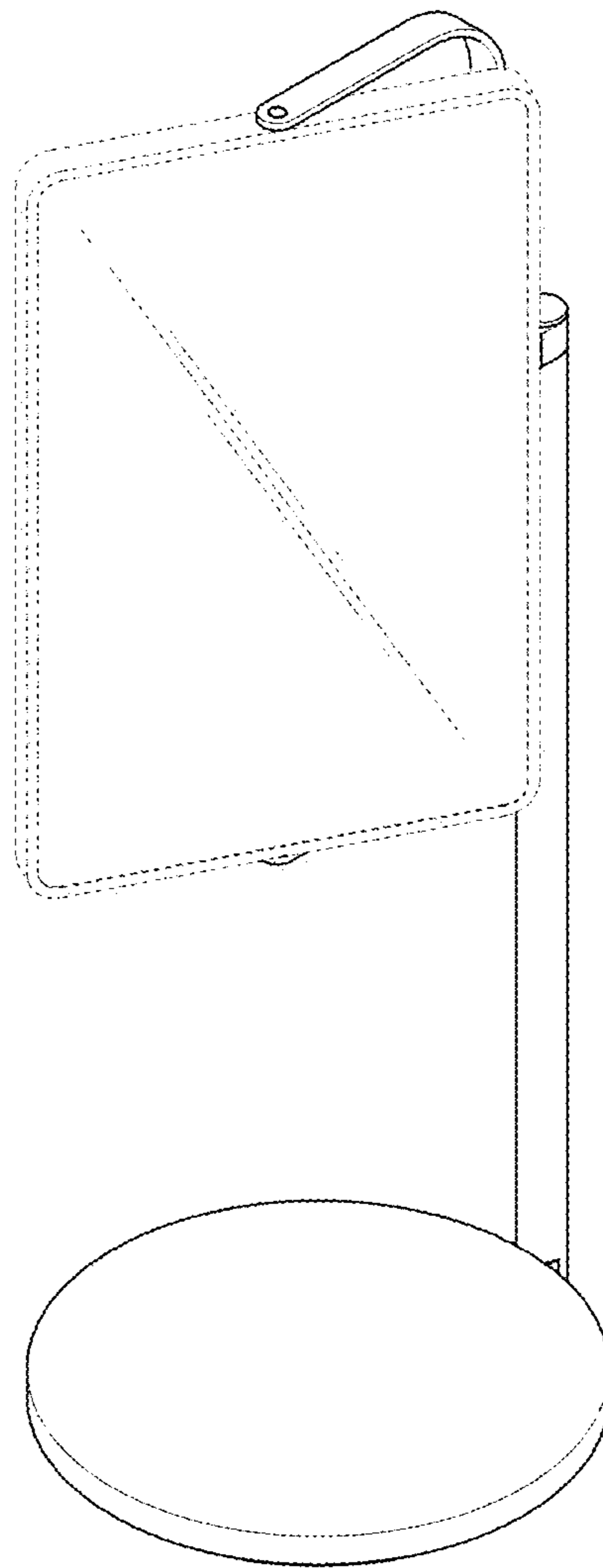


FIG. 10

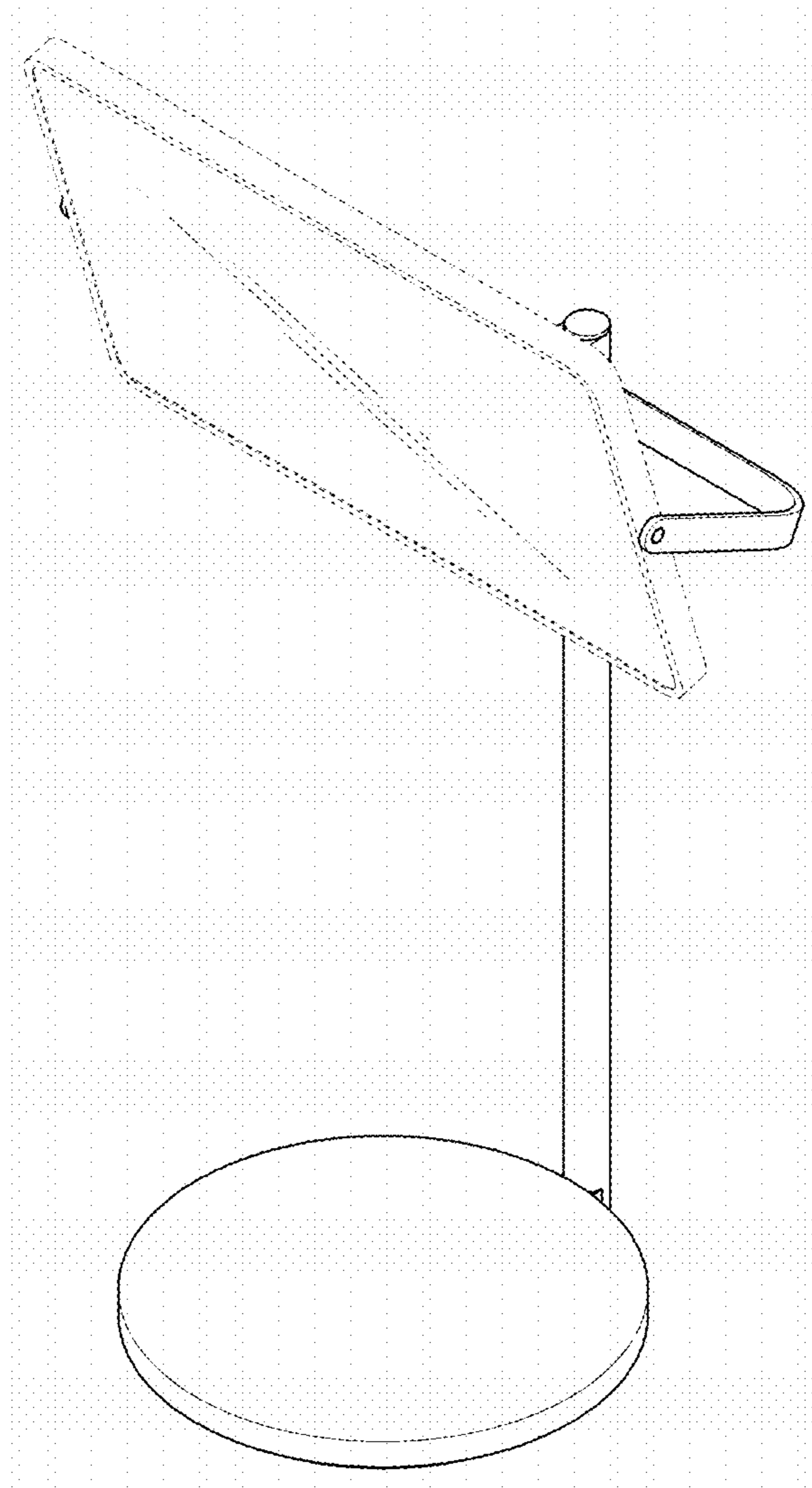


FIG. 11

