



US00D958776S

(12) **United States Design Patent**
Brunner et al.

(10) **Patent No.:** **US D958,776 S**
(45) **Date of Patent:** **** Jul. 26, 2022**

- (54) **EARPIECE**
- (71) Applicant: **Apple Inc.**, Cupertino, CA (US)
- (72) Inventors: **Robert Brunner**, Glen Ellen, CA (US);
Christopher Kuh, San Francisco, CA (US); **Achille Biteau**, San Francisco, CA (US)
- (73) Assignee: **Apple Inc.**, Cupertino, CA (US)
- (**) Term: **15 Years**
- (21) Appl. No.: **29/812,493**
- (22) Filed: **Oct. 21, 2021**

CPC H04R 1/10; H04R 25/00; H04R 25/02;
H04R 1/1016; H04R 1/1066; H04R
5/033; H04R 5/0335; H04R 1/1058;
H04R 1/1091
See application file for complete search history.

(56) **References Cited**

U.S. PATENT DOCUMENTS

968,008 A	8/1910	Waller
1,558,191 A	10/1925	Lindemann
2,009,390 A	7/1935	Bayardi
2,248,837 A	7/1941	Walters
2,261,448 A	11/1941	Petersen
2,430,229 A	11/1947	Kelsey

(Continued)

FOREIGN PATENT DOCUMENTS

TW	167085-0001	*	1/2013
TW	173492-0001	*	5/2014

Primary Examiner — Paula Allen Greene

(74) *Attorney, Agent, or Firm* — Sterne, Kessler, Goldstein & Fox P.L.L.C.

Related U.S. Application Data

(63) Continuation of application No. 29/774,949, filed on Mar. 19, 2021, now Pat. No. Des. 934,205, which is a continuation of application No. 29/715,420, filed on Dec. 2, 2019, now Pat. No. Des. 913,994, which is a continuation of application No. 29/654,520, filed on Jun. 25, 2018, now Pat. No. Des. 868,749, which is a continuation of application No. 29/595,719, filed on Mar. 1, 2017, now Pat. No. Des. 821,364, which is a continuation of application No. 29/533,509, filed on Jul. 17, 2015, now Pat. No. Des. 780,721, which is a continuation of application No. 29/490,934, filed on May 15, 2014, now Pat. No. Des. 734,744, which is a continuation of application No. 29/490,936, filed on May 15, 2014, now Pat. No. Des. 743,946, which is a continuation of application No. 29/490,932, filed on May 15, 2014, now Pat. No. Des. 743,945.

(51) **LOC (13) Cl.** **14-01**

(52) **U.S. Cl.**
USPC **D14/223**

(58) **Field of Classification Search**
USPC D14/223, 205; D24/174; 128/864–866;
381/380, 381; 455/90.3, 575.1, 569.1

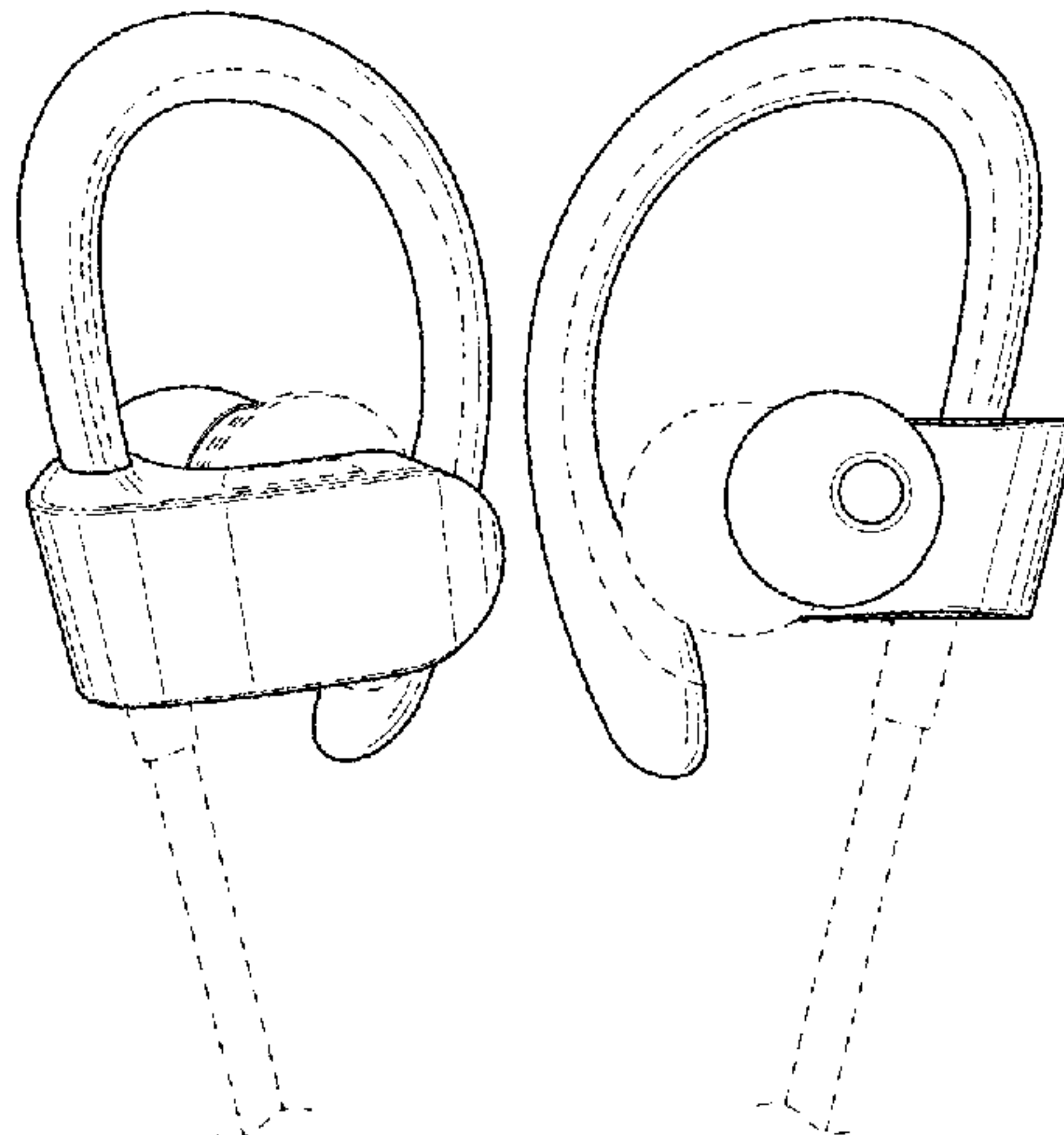
(57) **CLAIM**

The ornamental design for an earpiece, as shown and described.

DESCRIPTION

FIG. 1 is a perspective view of an earpiece showing the claimed design;
FIG. 2 is a front view thereof;
FIG. 3 is a rear view thereof;
FIG. 4 is a right side view thereof;
FIG. 5 is a left side view thereof;
FIG. 6 is a top view thereof; and,
FIG. 7 is a bottom view thereof.
The dashed broken lines in the figures show portions of the earpiece that form no part of the claimed design.

(Continued)



The dot-dash broken lines in the figures show boundaries that form no part of the claimed design.

1 Claim, 2 Drawing Sheets

(56)

References Cited

U.S. PATENT DOCUMENTS

2,474,135 A 6/1949 White
 2,545,731 A 3/1951 French
 2,719,523 A 10/1955 Von Gierke
 2,739,660 A 3/1956 French
 3,319,736 A 5/1967 Reynolds, Jr.
 4,133,984 A 1/1979 Akiyama
 4,253,452 A 3/1981 Powers et al.
 4,646,872 A 3/1987 Kamon et al.
 D304,191 S 10/1989 Sekine
 4,997,055 A 3/1991 Grady
 5,179,501 A 1/1993 Ocken et al.
 5,210,792 A 5/1993 Kajihara
 5,410,608 A 4/1995 Lucey et al.
 5,625,171 A 4/1997 Marshall
 5,659,156 A 8/1997 Mauney et al.
 D403,300 S 12/1998 Renk
 D421,755 S 3/2000 Pitel
 6,056,082 A 5/2000 Lindgren et al.
 6,101,260 A 8/2000 Jensen et al.
 6,105,714 A * 8/2000 Lindgren A61F 11/12
 D24/173
 D436,623 S 1/2001 Schmidt et al.
 6,233,344 B1 5/2001 Clegg et al.
 D443,261 S 6/2001 Yuyama
 D460,749 S 7/2002 Liu
 6,427,018 B1 7/2002 Keliiliki
 D471,889 S 3/2003 Rath et al.
 D477,593 S 7/2003 Komiyama
 D482,348 S 11/2003 Villaverde et al.
 D484,166 S 12/2003 Senda
 6,728,388 B1 4/2004 Nageno et al.
 D490,398 S * 5/2004 Gwee D14/205
 6,738,487 B1 5/2004 Nageno et al.
 6,771,790 B2 8/2004 Liu
 D501,196 S 1/2005 Dyer et al.
 6,868,284 B2 3/2005 Bae
 D510,085 S 9/2005 Suzuki
 D510,575 S 10/2005 Leong
 7,082,206 B2 * 7/2006 Mahoney H04R 25/60
 381/328
 D528,531 S 9/2006 Rose et al.
 D538,269 S 3/2007 Tragatschnig
 D538,270 S 3/2007 Kim et al.
 D538,271 S 3/2007 Kim et al.
 D538,792 S 3/2007 Kim et al.
 D539,787 S 4/2007 Kim et al.
 D542,267 S 5/2007 Cha et al.
 D543,968 S 6/2007 Wong
 7,231,056 B2 6/2007 Chen
 D550,202 S 9/2007 Meier et al.
 D556,735 S 12/2007 Yeo
 D575,772 S 8/2008 Schultz et al.
 D584,293 S 1/2009 Kim et al.
 D584,294 S 1/2009 Nam et al.
 D593,075 S * 5/2009 Williams D14/223

7,551,748 B2 6/2009 Kamo et al.
 D596,616 S * 7/2009 Andre D14/205
 D597,084 S 7/2009 Gondo
 D601,126 S 9/2009 Christopher et al.
 D601,548 S 10/2009 Morisawa
 D603,378 S 11/2009 Paradise
 D603,847 S 11/2009 Chung
 D606,048 S 12/2009 Soetejo et al.
 7,648,005 B2 1/2010 Leong et al.
 7,664,287 B2 2/2010 Neu et al.
 7,681,577 B2 3/2010 Blanchard
 7,708,110 B2 5/2010 Leong et al.
 D617,780 S 6/2010 Jaakkola et al.
 D618,210 S * 6/2010 Andre D14/205
 D618,669 S 6/2010 Johnson et al.
 D624,529 S 9/2010 Huang
 7,841,446 B2 11/2010 Leong et al.
 D631,470 S 1/2011 Yoneyama et al.
 D635,960 S 4/2011 Gondo et al.
 D638,409 S 5/2011 Walter
 8,068,633 B2 11/2011 Lee et al.
 8,090,135 B2 1/2012 Lin
 D658,157 S 4/2012 McManigal
 8,265,328 B2 9/2012 Milde et al.
 D668,631 S 10/2012 Katsumata et al.
 D671,523 S 11/2012 Daniel
 D686,196 S 7/2013 Lee et al.
 D695,275 S 12/2013 Chee
 D699,213 S 2/2014 Burgett et al.
 D710,333 S 8/2014 Davies et al.
 D712,382 S 9/2014 Brunner et al.
 D713,385 S 9/2014 Burgett et al.
 D713,822 S 9/2014 Paradise et al.
 8,908,899 B1 12/2014 Yang
 D725,637 S 3/2015 Nakajima
 D734,744 S 7/2015 Brunner et al.
 D740,260 S 10/2015 Brunner et al.
 D741,299 S 10/2015 Brunner et al.
 D743,945 S 11/2015 Brunner et al.
 D743,946 S 11/2015 Brunner et al.
 D745,862 S 12/2015 Otani et al.
 D767,532 S 9/2016 Jen
 D775,610 S 1/2017 Nakajima
 D780,721 S 3/2017 Brunner et al.
 D787,477 S 5/2017 Lee
 D792,378 S 7/2017 Brunner et al.
 D799,316 S 10/2017 Thain et al.
 D806,684 S 1/2018 Tsai
 D807,331 S 1/2018 Morimoto
 D809,487 S 2/2018 Lee et al.
 D810,053 S 2/2018 Otani et al.
 D821,362 S * 6/2018 Vaclavik D14/223
 D821,364 S 6/2018 Brunner et al.
 D834,003 S 11/2018 Maeda
 D838,692 S 1/2019 Fu
 D838,693 S * 1/2019 Fu D14/223
 D844,588 S 4/2019 Brunner et al.
 D868,749 S 12/2019 Brunner et al.
 D896,204 S * 9/2020 Brunner D14/223
 D913,994 S 3/2021 Brunner et al.
 D928,125 S * 8/2021 Brunner D14/223
 D934,205 S 10/2021 Brunner et al.
 D942,972 S * 2/2022 Brunner D14/223
 2013/0216087 A1 8/2013 MacDonald
 2014/0138150 A1 5/2014 Huang
 2017/0105679 A1 4/2017 Gil

* cited by examiner

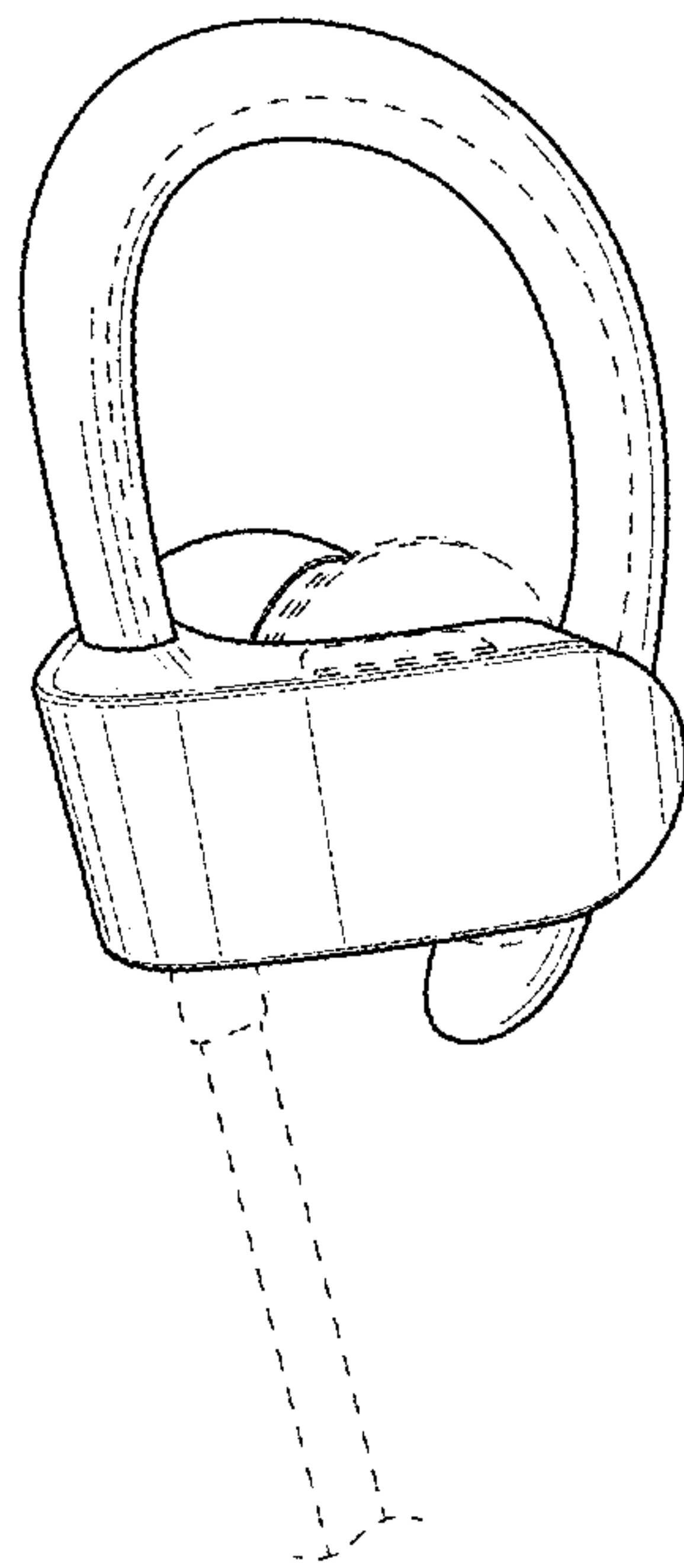


FIG. 1

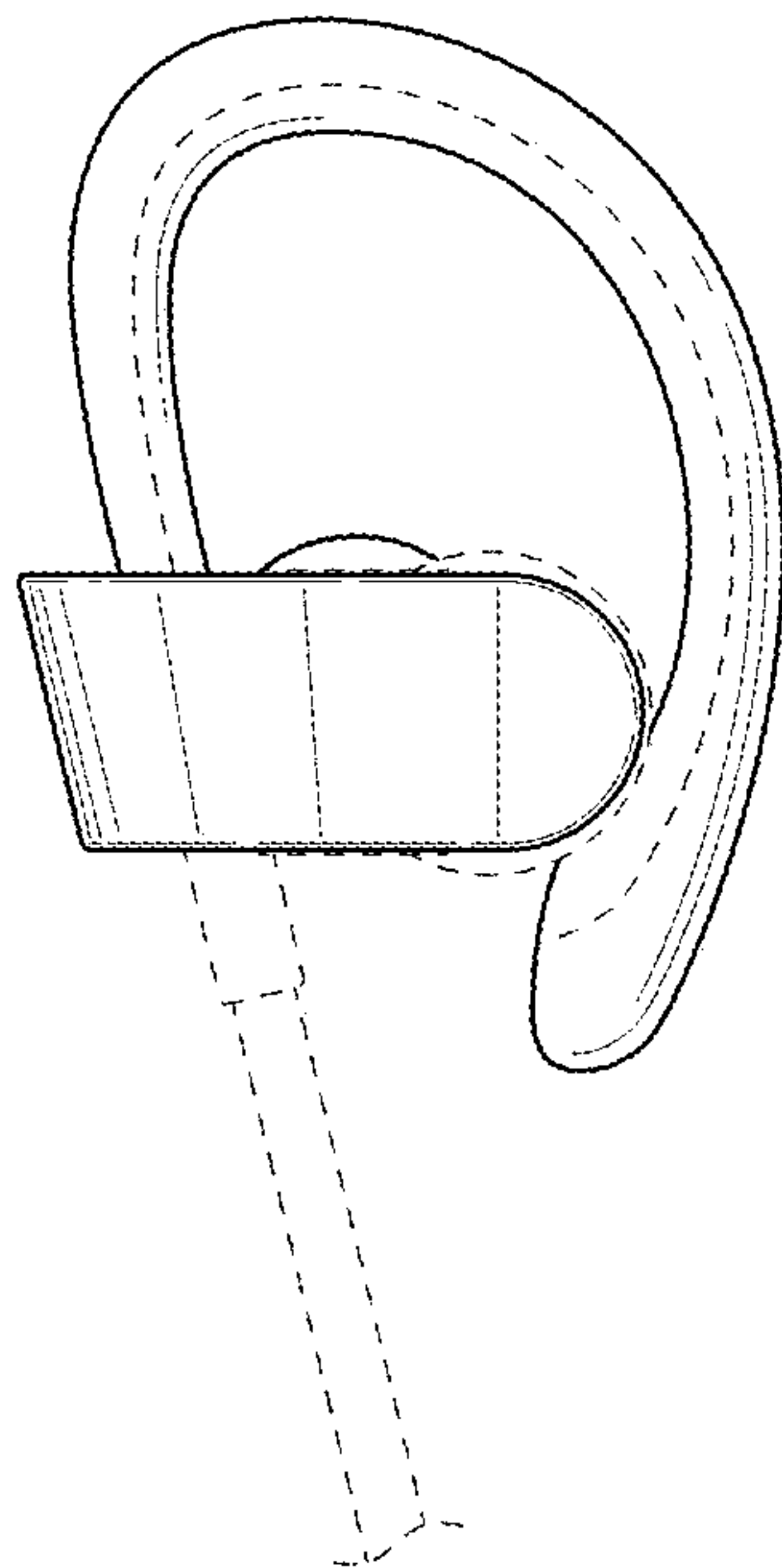


FIG. 2

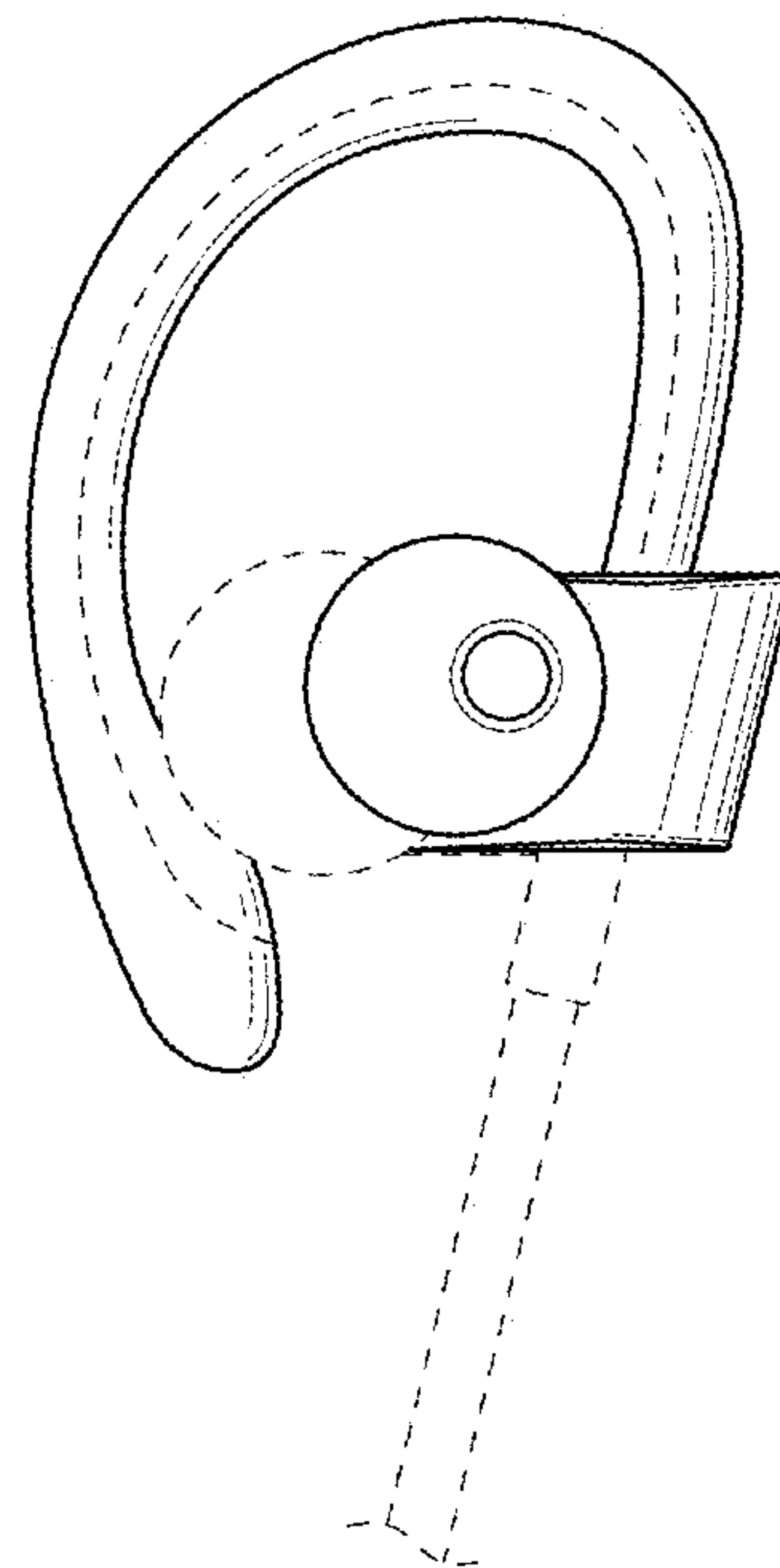


FIG. 3

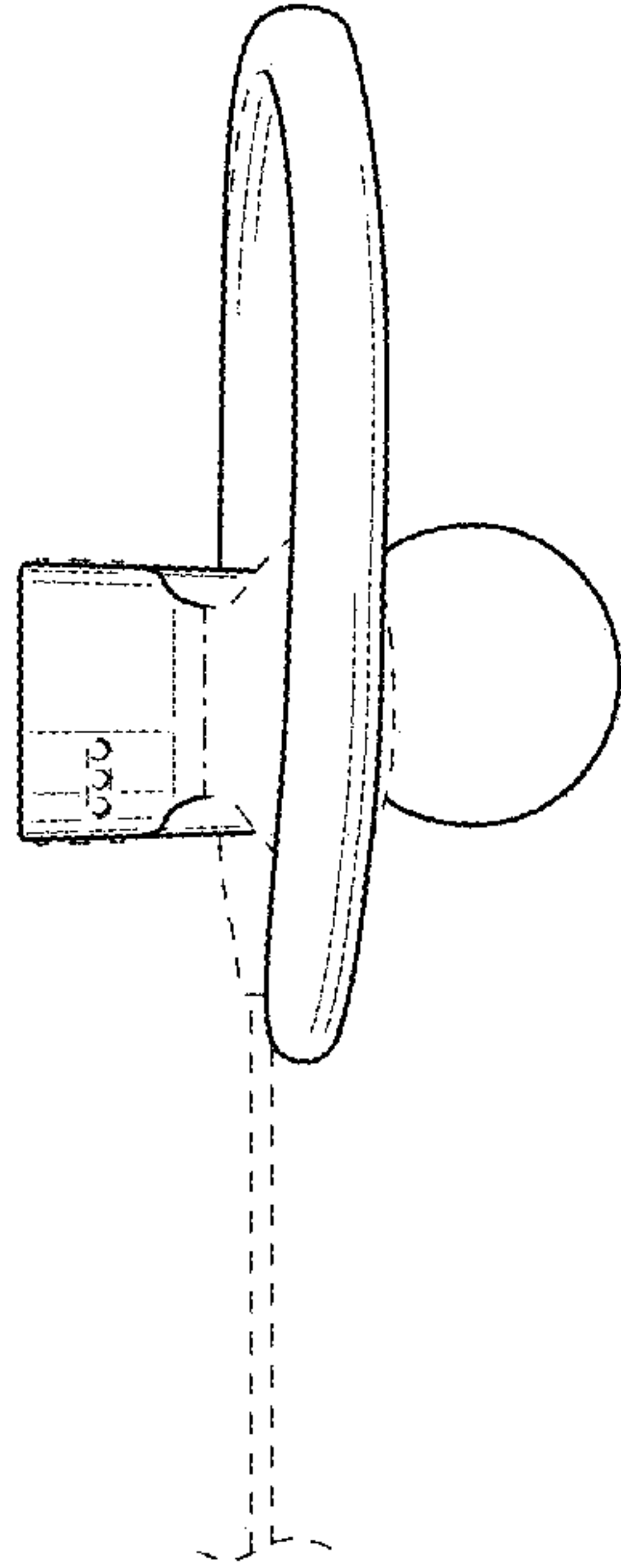


FIG. 4

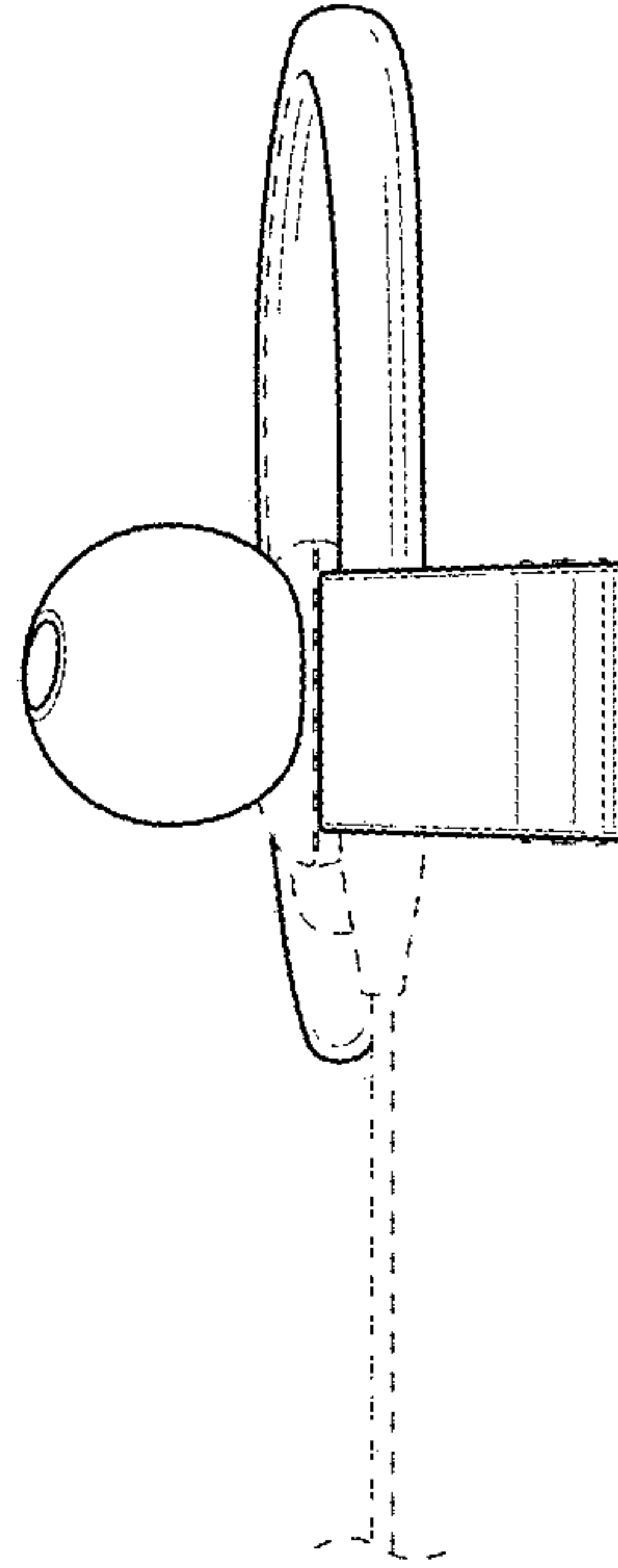


FIG. 5

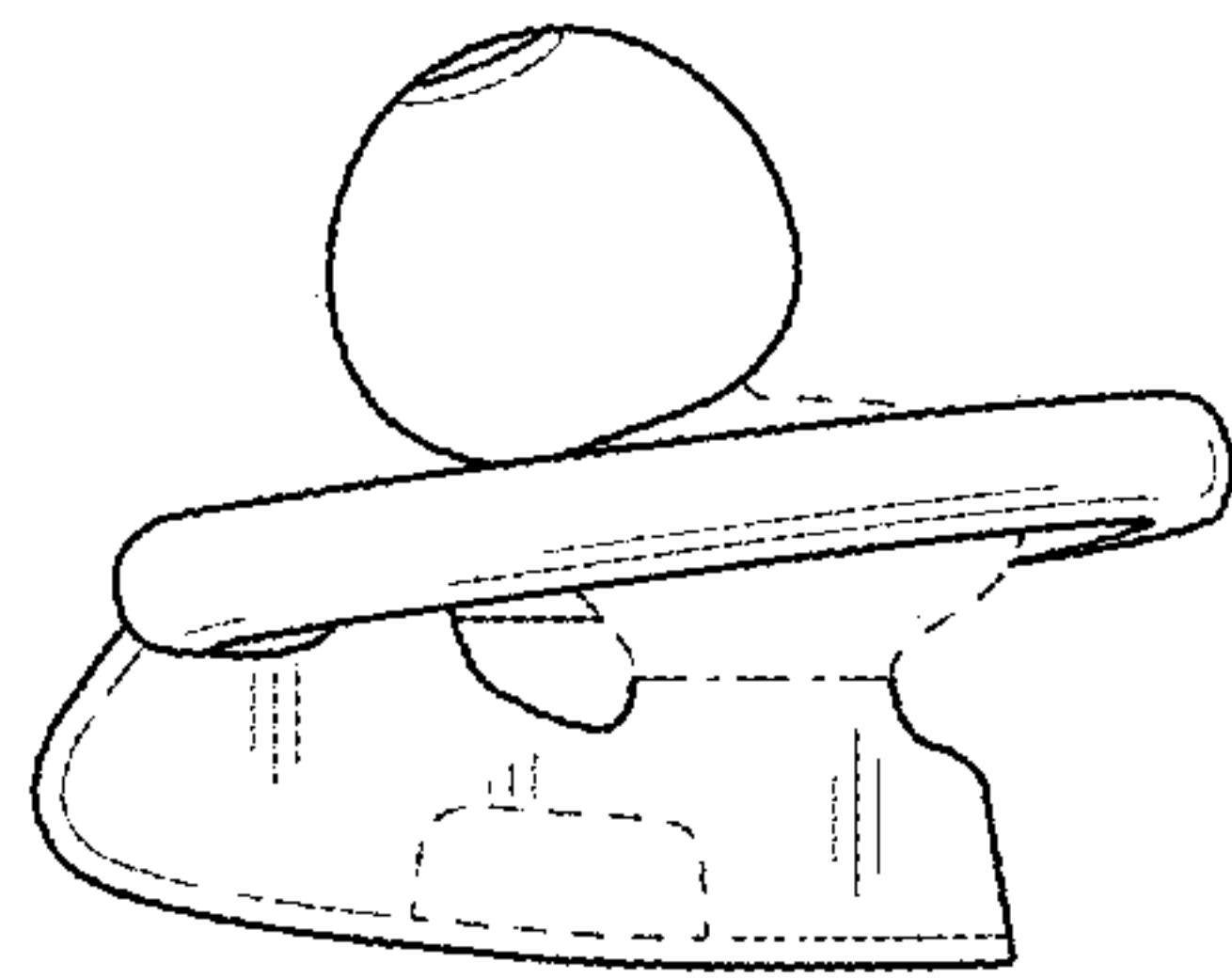


FIG. 6

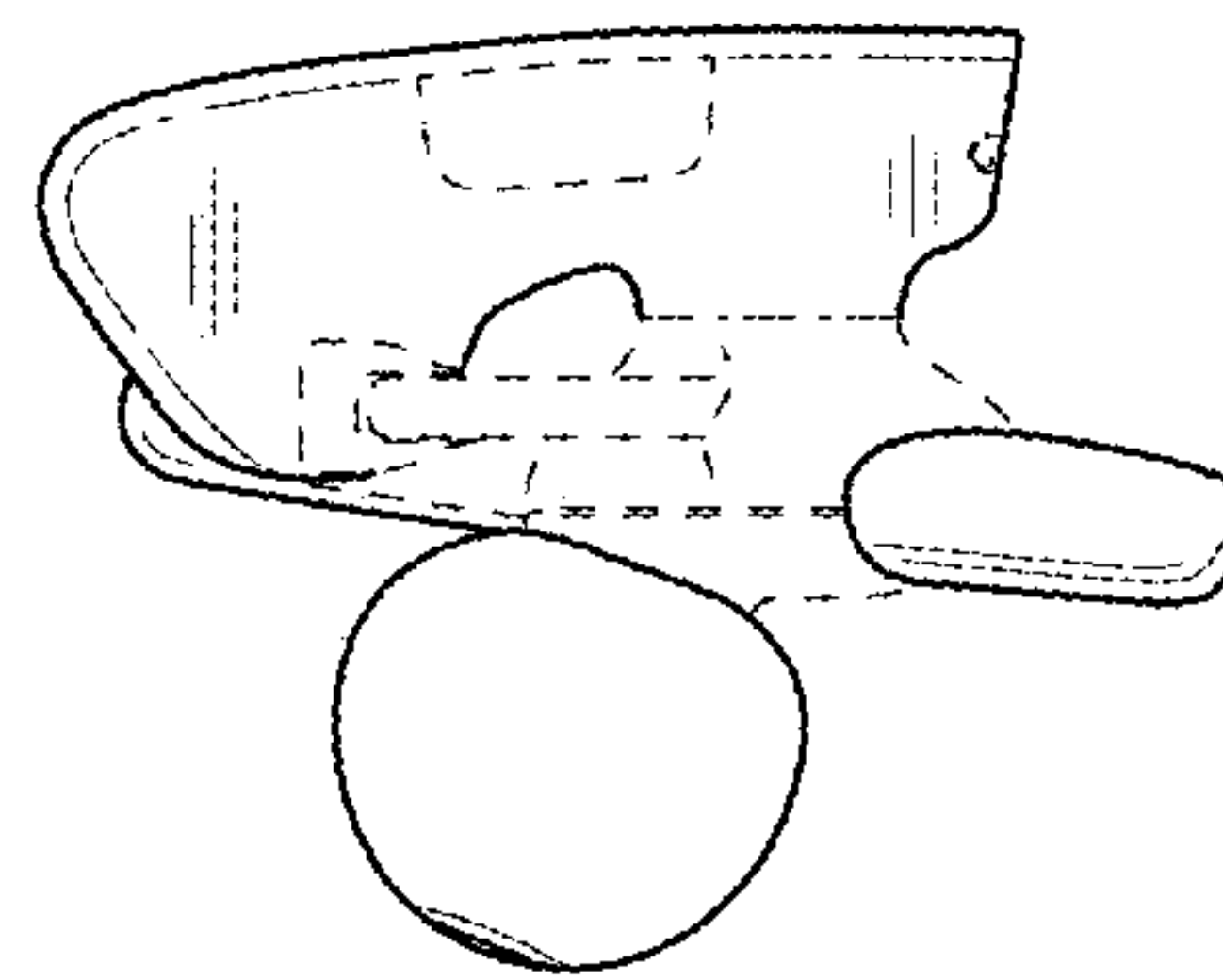


FIG. 7

UNITED STATES PATENT AND TRADEMARK OFFICE
CERTIFICATE OF CORRECTION

PATENT NO. : D958,776 S
APPLICATION NO. : 29/812493
DATED : July 26, 2022
INVENTOR(S) : Brunner et al.

Page 1 of 1

It is certified that error appears in the above-identified patent and that said Letters Patent is hereby corrected as shown below:

On the Title Page

In the Related U.S. Application Data item (63), please replace:

“Continuation of application No. 29/774,949, filed on Mar. 19, 2021, now Pat. No. Des. 934,205, which is a continuation of application No. 29/715,420, filed on Dec. 2, 2019, now Pat. No. Des. 913,994, which is a continuation of application No. 29/654,520, filed on Jun. 25, 2018, now Pat. No. Des. 868,749, which is a continuation of application No. 29/595,719, filed on Mar. 1, 2017, now Pat. No. Des. 821,364, which is a continuation of application No. 29/533,509, filed on Jul. 17, 2015, now Pat. No. Des. 780,721, which is a continuation of application No. 29/490,934, filed on May 15, 2014, now Pat. No. Des. 734,744, which is a continuation of application No. 29/490,936, filed on May 15, 2014, now Pat. No. Des. 743,946, which is a continuation of application No. 29/490,932, filed on May 15, 2014, now Pat. No. Des. 743,945.”

With:

--Continuation of application No. 29/774,949, filed on Mar. 19, 2021, now Pat. No. Des. 934,205, which is a continuation of application No. 29/715,420, filed on Dec. 2, 2019, now Pat. No. Des. 913,994, which is a continuation of application No. 29/654,520, filed on Jun. 25, 2018, now Pat. No. Des. 868,749, which is a continuation of application No. 29/595,719, filed on Mar. 1, 2017, now Pat. No. Des. 821,364, which is a continuation of application No. 29/533,509, filed on Jul. 17, 2015, now Pat. No. Des. 780,721, which is a continuation of application No. 29/490,934, filed on May 15, 2014, now Pat. No. Des. 734,744, application No. 29/490,936, filed on May 15, 2014, now Pat. No. Des. 743,946, and application No. 29/490,932, filed on May 15, 2014, now Pat. No. Des. 743,945.--

Signed and Sealed this
Thirtieth Day of August, 2022
Katherine Kelly Vidal

Katherine Kelly Vidal
Director of the United States Patent and Trademark Office