



US00D958775S

(12) **United States Design Patent**
Chen et al.

(10) **Patent No.:** **US D958,775 S**
(45) **Date of Patent:** **** Jul. 26, 2022**

(54) **EARPHONE**

(71) Applicant: **BEIJING XIAOMI MOBILE SOFTWARE CO., LTD.**, Beijing (CN)

(72) Inventors: **Hongyu Chen**, Beijing (CN); **Long Chen**, Beijing (CN)

(73) Assignee: **BEIJING XIAOMI MOBILE SOFTWARE CO., LTD.**, Beijing (CN)

(**) Term: **15 Years**

(21) Appl. No.: **29/735,451**

(22) Filed: **May 21, 2020**

(30) **Foreign Application Priority Data**

Nov. 25, 2019 (CN) 201930652269.1

(51) **LOC (13) Cl.** **14-01**

(52) **U.S. Cl.**
USPC **D14/223**

(58) **Field of Classification Search**
USPC D14/223, 205; D24/174; 128/864–866;
381/380, 381, 374, 322, 323; 455/90.3,
455/575.1, 569.1
CPC H04R 1/10; H04R 25/00; H04R 25/02;
H04R 1/1066; H04R 1/1016; H04R
5/033; H04R 5/0335; H04R 1/1091
See application file for complete search history.

(56) **References Cited**

U.S. PATENT DOCUMENTS

1,566,845 A * 12/1925 Fairbrother A44C 15/00
D11/18
D504,887 S * 5/2005 Skulley D14/223
D515,074 S * 2/2006 Jacobson D14/225
D537,815 S * 3/2007 Bentley D14/206
D566,687 S * 4/2008 Duarte D14/205
D581,900 S * 12/2008 Caddes D14/206

D594,365 S * 6/2009 Grassi Damiani D11/16
D643,833 S * 8/2011 Lee D14/223
D647,888 S * 11/2011 Katsuraku D14/223
D652,822 S * 1/2012 Lee D14/223
D666,580 S * 9/2012 Lee D14/223
D666,996 S * 9/2012 Hardi D14/223
D667,815 S * 9/2012 Chiu D14/206
8,660,287 B2 * 2/2014 Stephenson H04R 1/1066
381/384

(Continued)

FOREIGN PATENT DOCUMENTS

CN 305904456 * 7/2020
CN 306531568 * 5/2021
IN 329395-001-0001 * 5/2020

Primary Examiner — Paula Allen Greene

(74) *Attorney, Agent, or Firm* — Syncoda LLC; Feng Ma

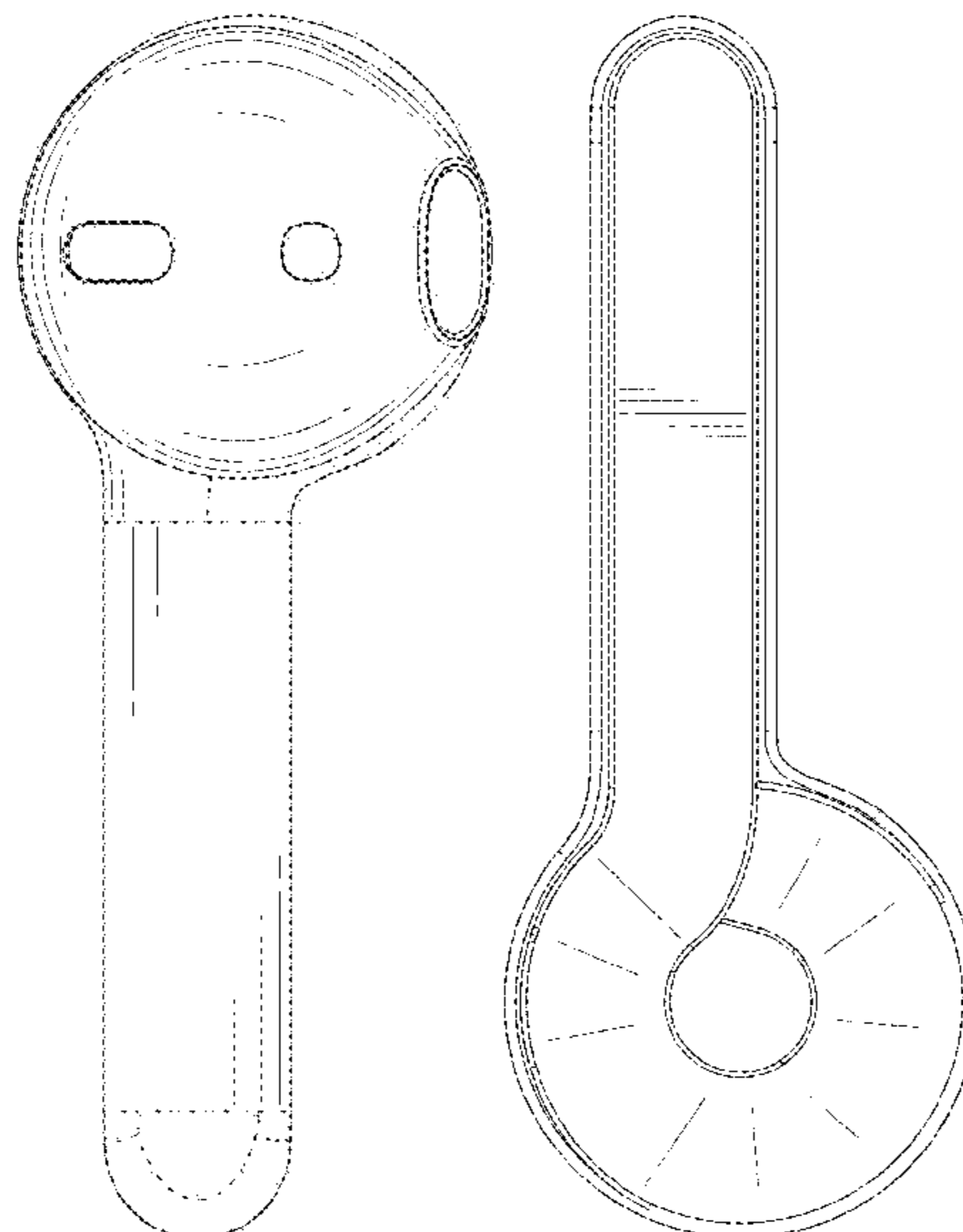
(57) **CLAIM**

The ornamental design for an earphone, as shown and described.

DESCRIPTION

FIG. 1 is a front view of an earphone showing our new design;
FIG. 2 is a back view thereof;
FIG. 3 is a left-side view thereof;
FIG. 4 is a right-side view thereof;
FIG. 5 is a top view thereof;
FIG. 6 is a bottom view thereof;
FIG. 7 is a perspective view thereof;
FIG. 8 is a front, right-side perspective view thereof showing the earphone used in pairs; and,
FIG. 9 is a back, left-side perspective view thereof showing the earphone used in pairs.
The broken lines shown in the drawings illustrate portions of the earphone and form no part of the claimed design.
The broken lines shown in the drawings depict environmental subject matter and form no part of the claimed design.

1 Claim, 9 Drawing Sheets



(56)

References Cited

U.S. PATENT DOCUMENTS

D715,777 S *	10/2014	Huang	D14/223	D890,723 S *	7/2020	Moudgill	D14/206
D772,197 S *	11/2016	Hejazi	D14/205	D890,724 S *	7/2020	Li	D14/223
D773,437 S *	12/2016	Lee	D14/223	D895,579 S *	9/2020	Yang	D14/223
D795,225 S *	8/2017	Sumii	D14/223	D895,582 S *	9/2020	Wu	D14/223
D848,980 S *	5/2019	Kim	D14/223	D896,206 S *	9/2020	Xu	D14/223
D848,983 S *	5/2019	Kim	D14/223	D896,207 S *	9/2020	He	D14/223
D864,169 S *	10/2019	Min	D14/223	D902,186 S *	11/2020	Sun	D14/223
D875,713 S *	2/2020	Kim	D14/205	D903,639 S *	12/2020	Yang	D14/223
D877,722 S *	3/2020	Yang	D14/223	D905,019 S *	12/2020	Liu	D14/223
D878,337 S *	3/2020	Yang	D14/223	D908,665 S *	1/2021	Wen	D14/223
D882,553 S *	4/2020	Wu	D14/223	D910,600 S *	2/2021	Zhang	D14/223
D883,260 S *	5/2020	Hu	D14/223	D911,315 S *	2/2021	Hutchison	D14/223
D883,960 S *	5/2020	Du	D14/223	D914,646 S *	3/2021	Yang	D14/223
D884,682 S *	5/2020	Du	D14/223	D914,651 S *	3/2021	Xie	D14/223
D887,396 S *	6/2020	Wang	D14/223	D925,499 S *	7/2021	Xie	D14/223
D888,691 S *	6/2020	Liu	D14/223	D930,616 S *	9/2021	Schoeck	D14/223
D889,436 S *	7/2020	Zhang	D14/206	D930,617 S *	9/2021	Tanaka	D14/223
D890,138 S *	7/2020	Peng	D14/223	D931,255 S *	9/2021	Zhang	D14/223
					2012/0237074 A1 *	9/2012	Aase	H04R 1/1058 29/858
					2020/0068283 A1 *	2/2020	Chou	H04R 1/1075

* cited by examiner

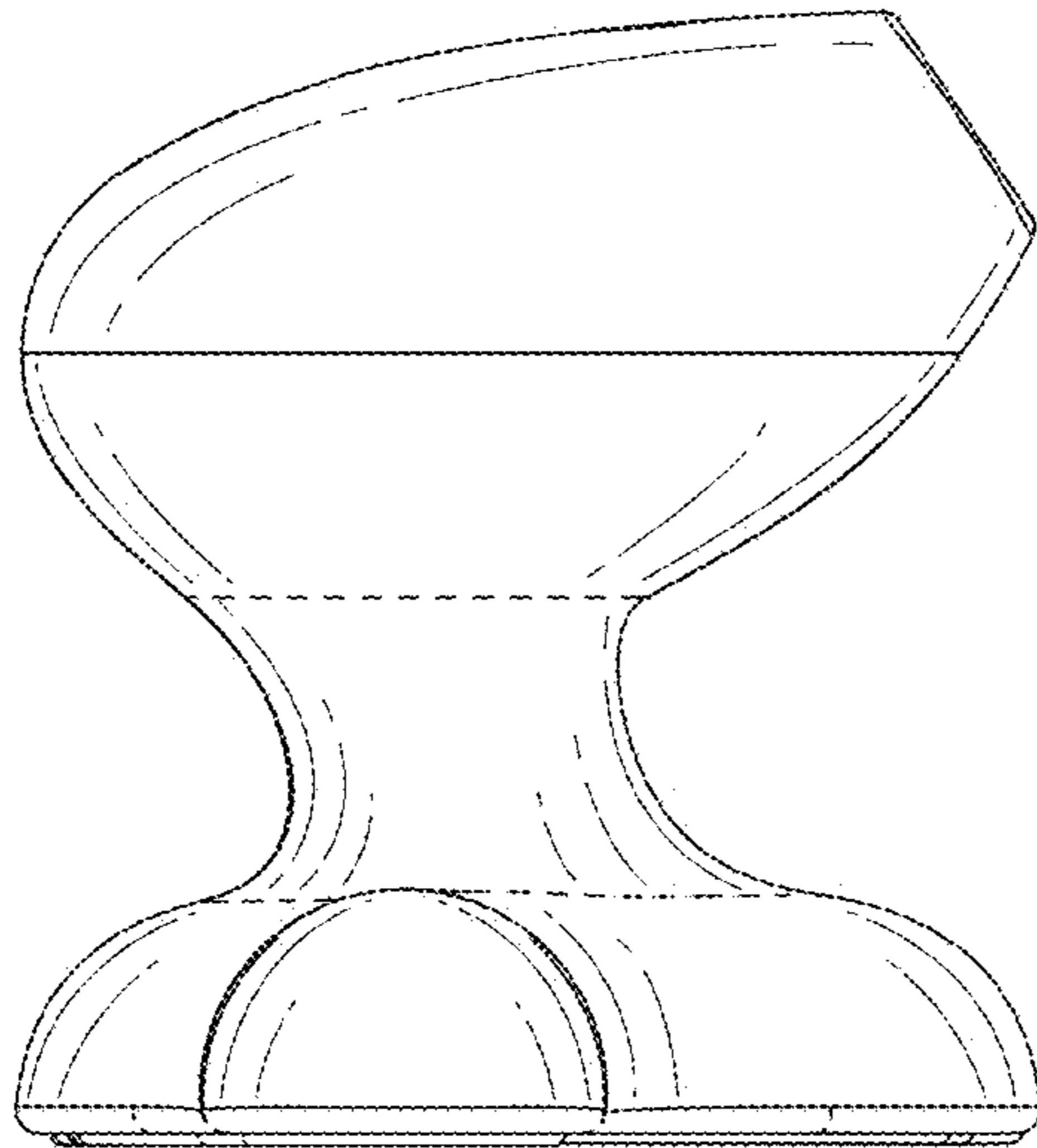


FIG. 1

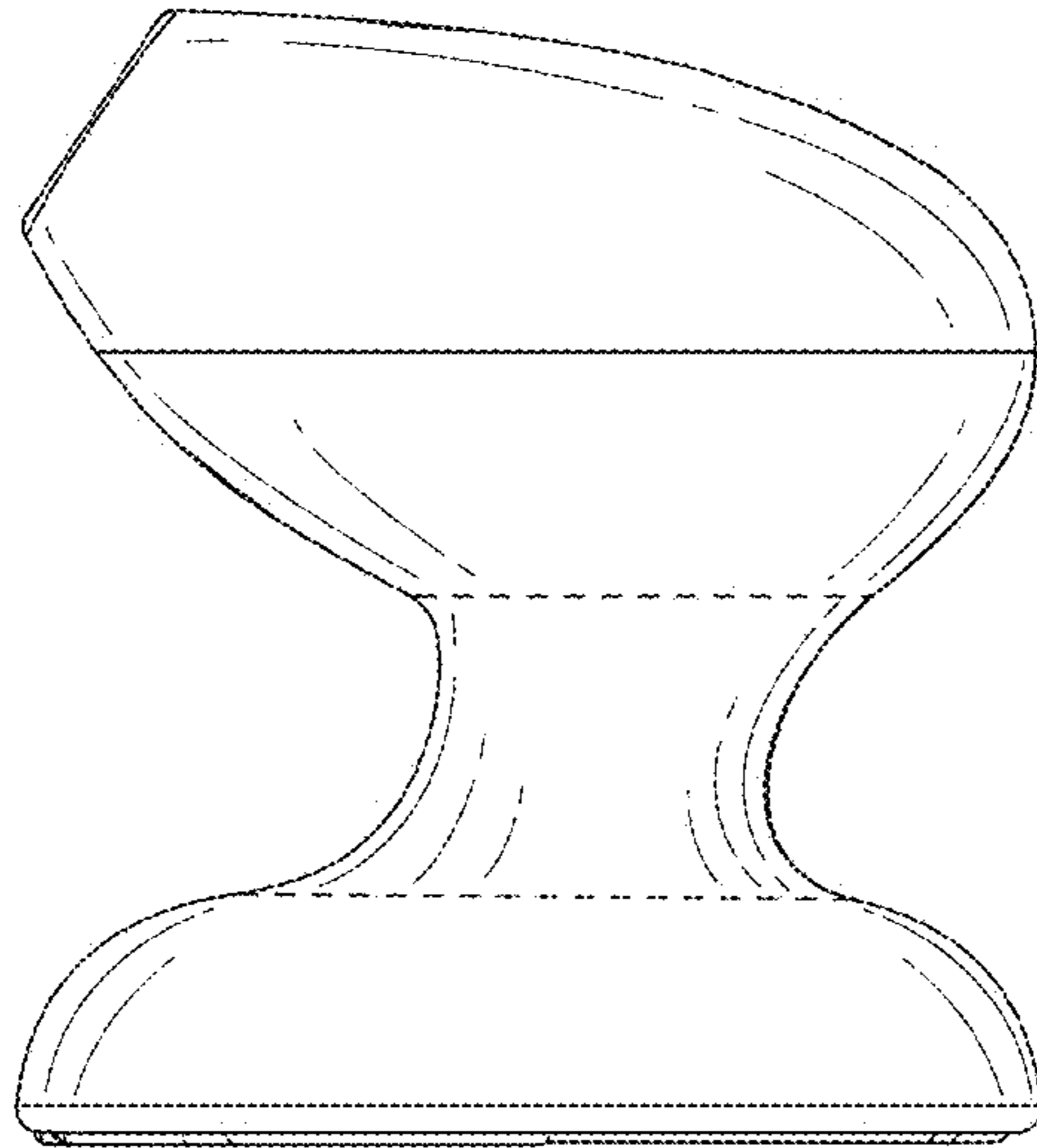


FIG. 2

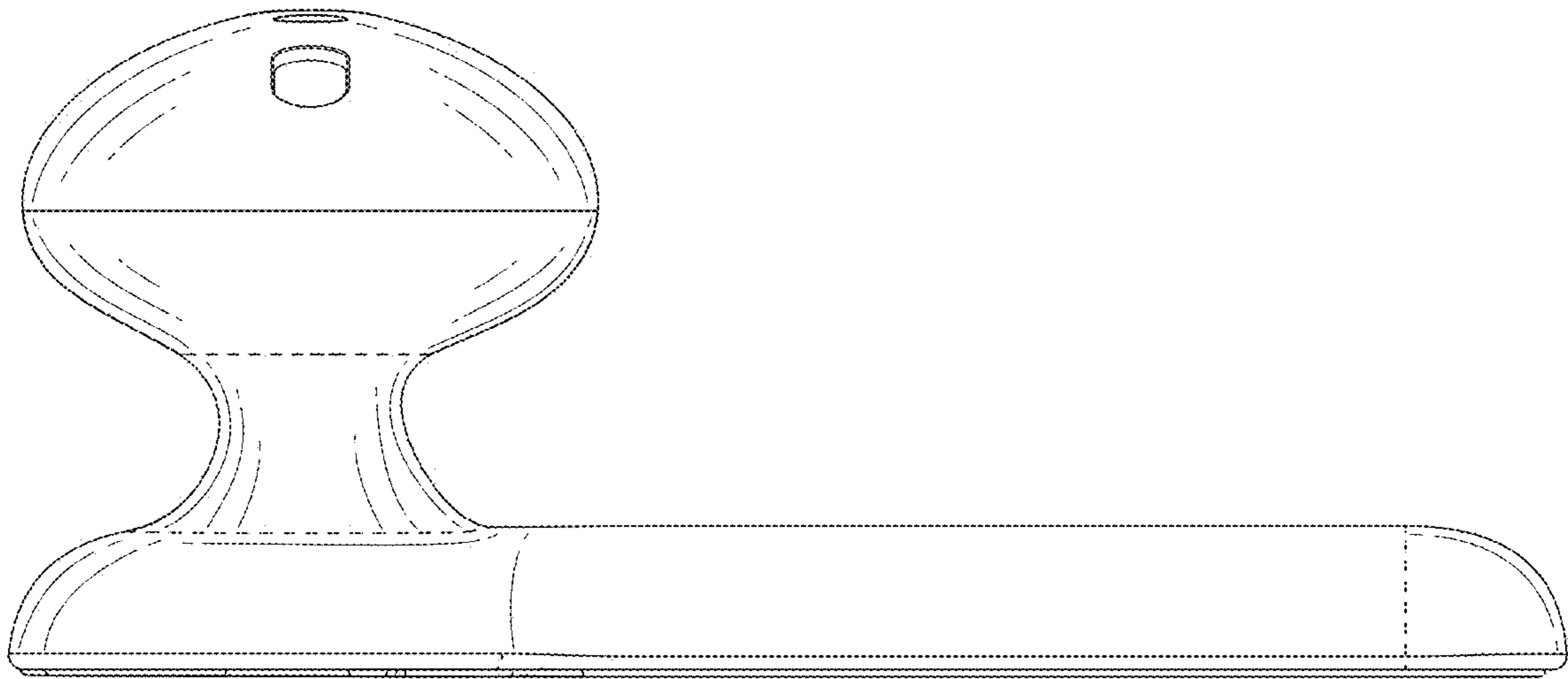


FIG. 3

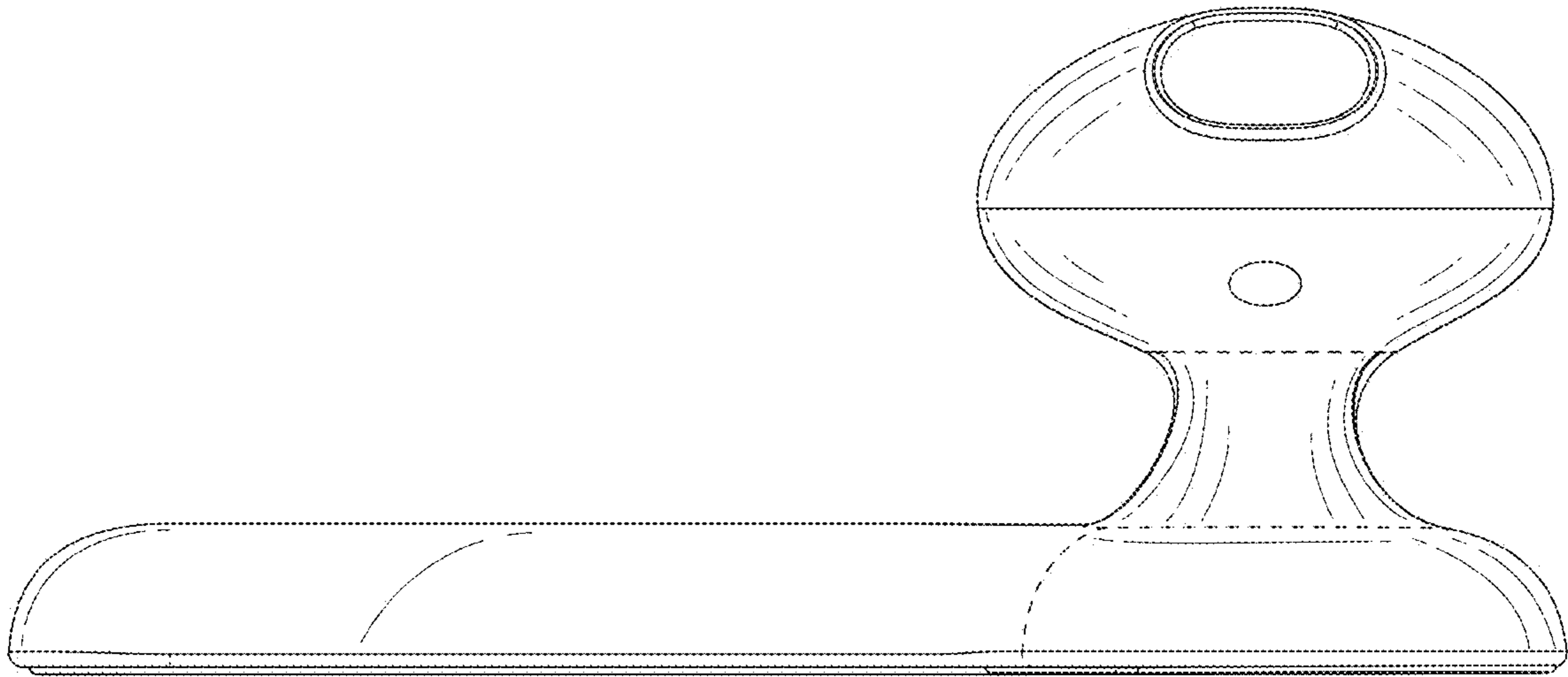


FIG. 4

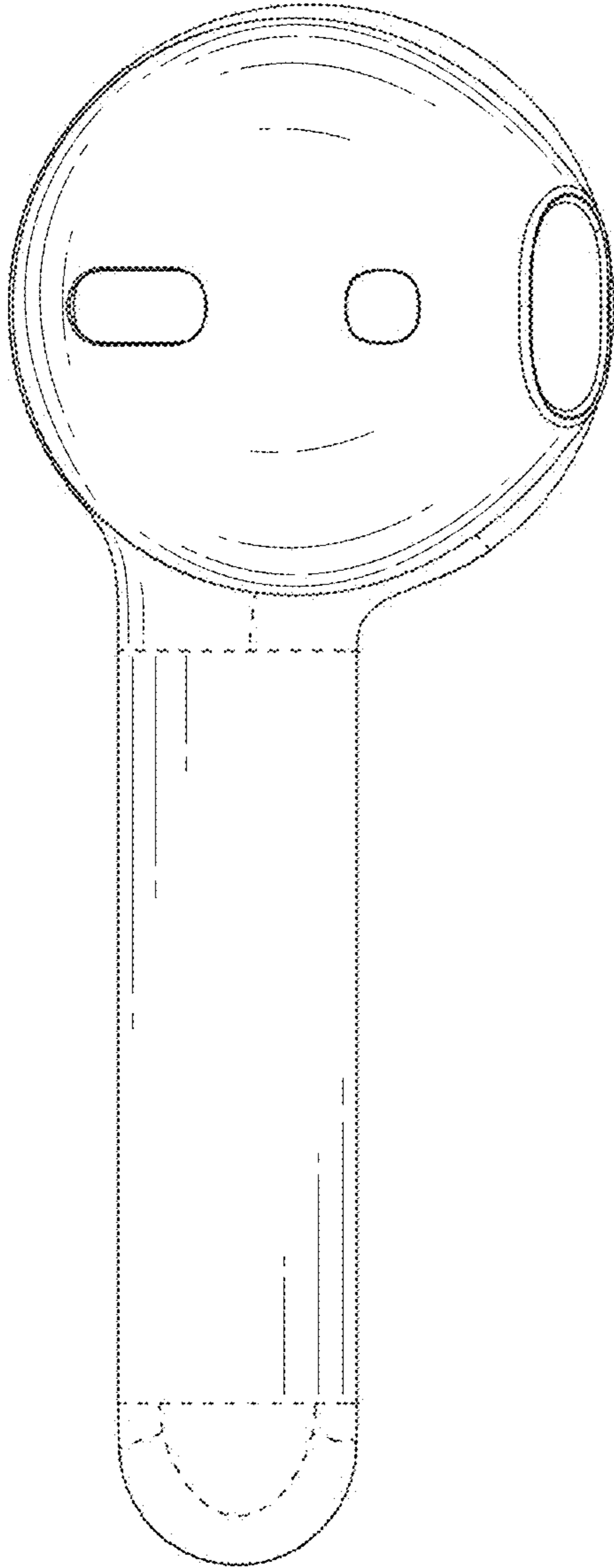


FIG. 5

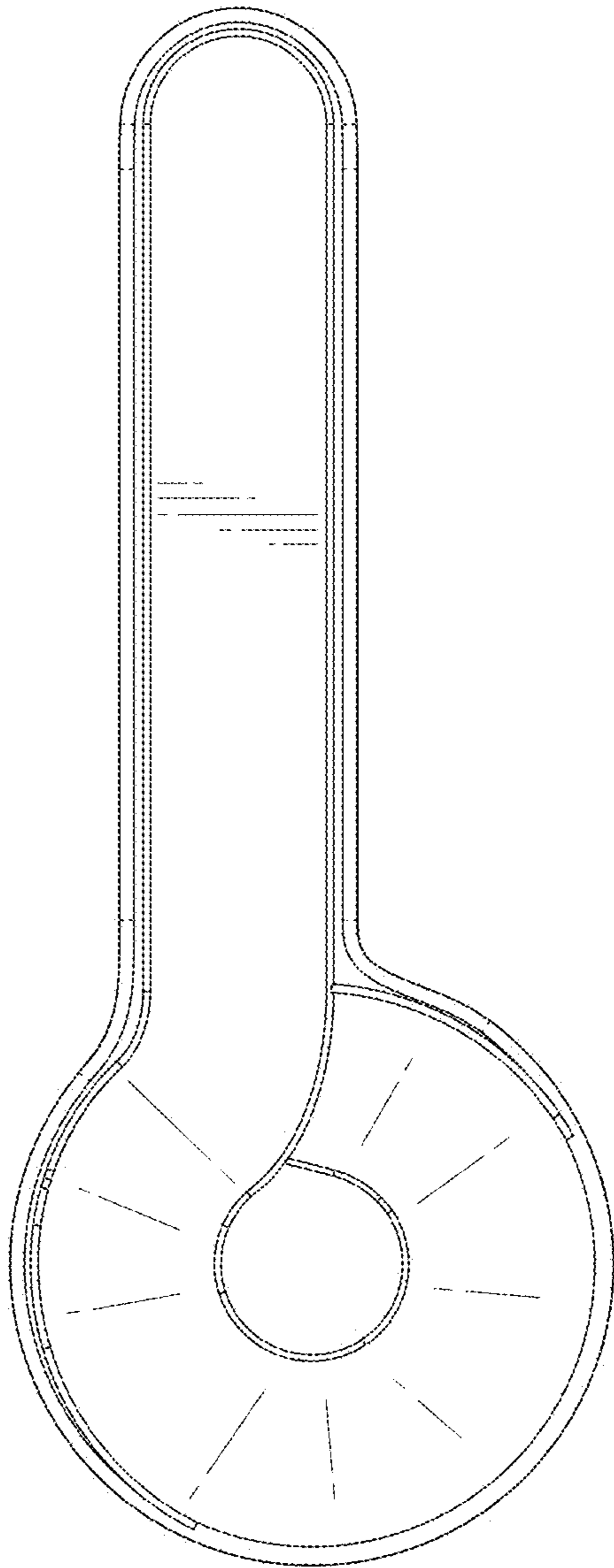


FIG. 6

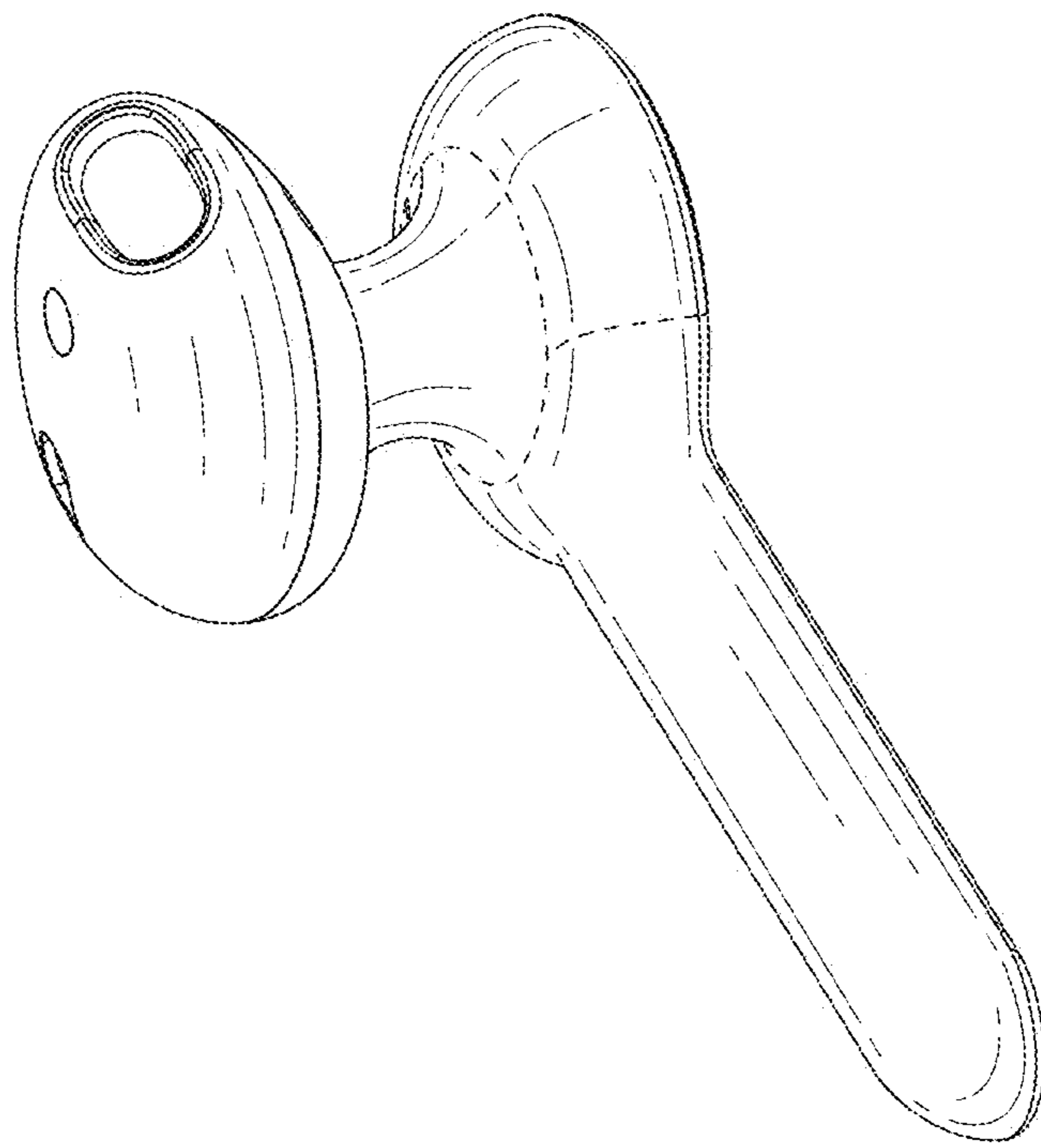


FIG. 7

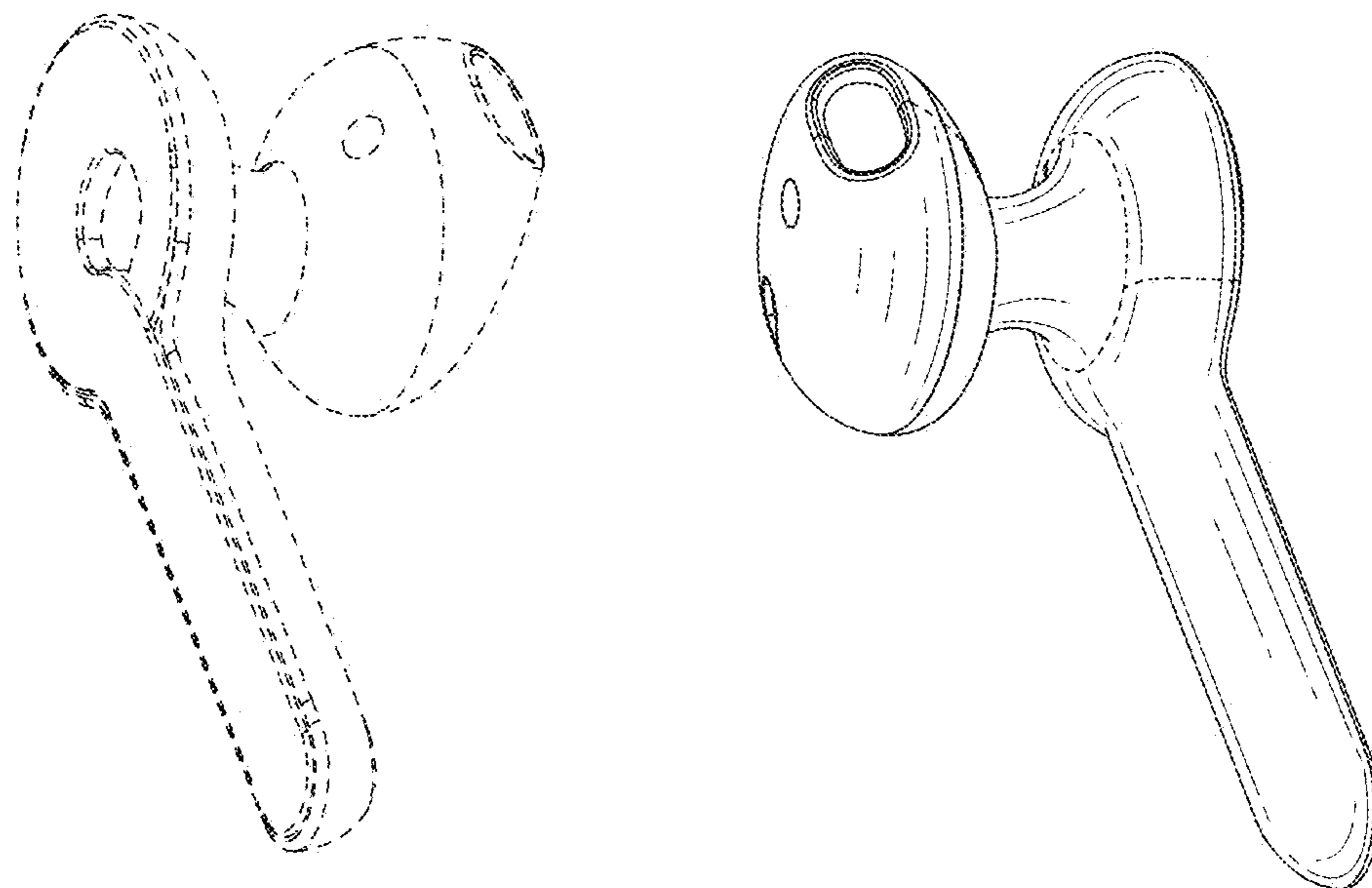


FIG. 8

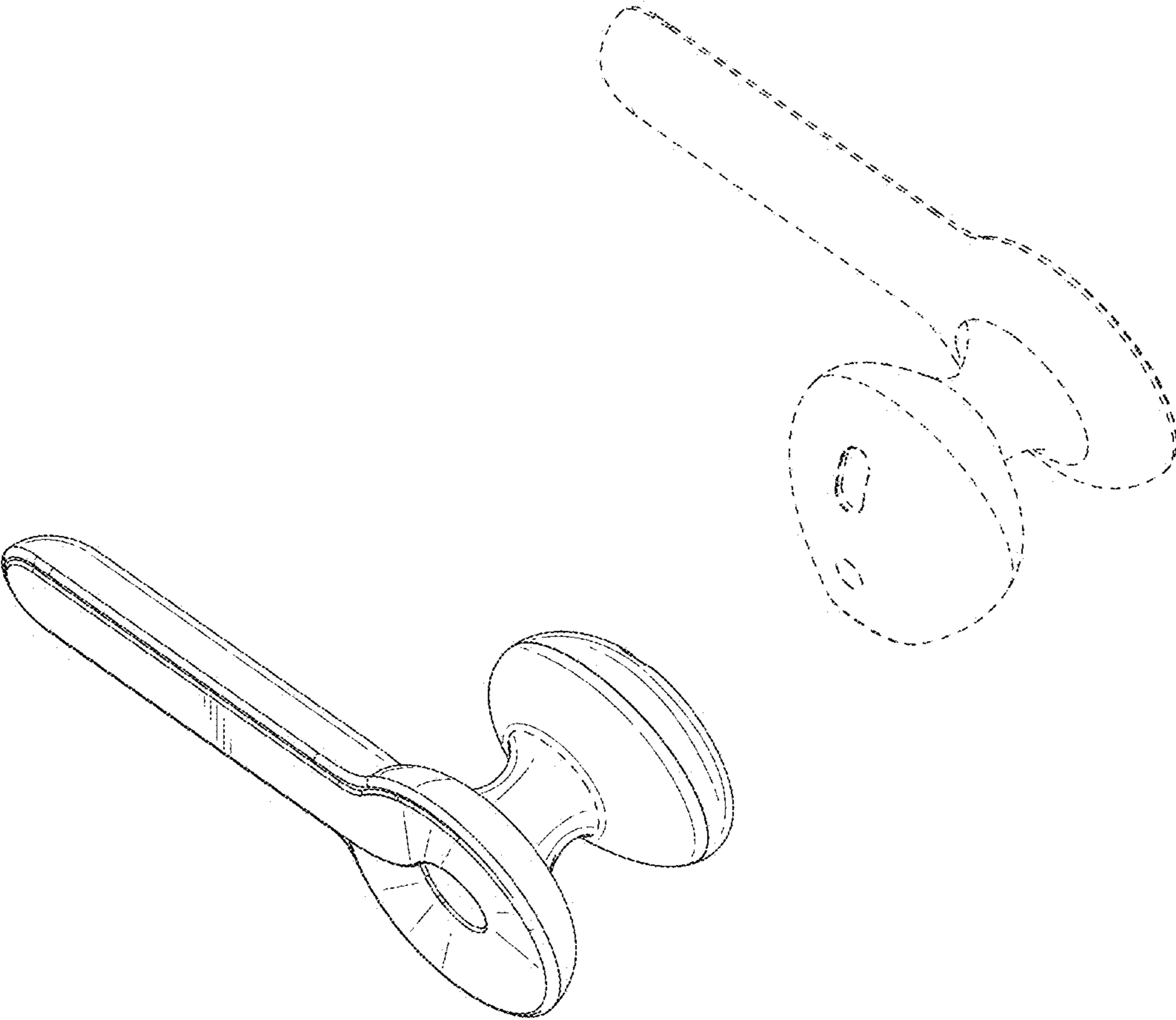


FIG. 9