



US00D958774S

(12) **United States Design Patent**  
**Desagre et al.**

(10) **Patent No.:** **US D958,774 S**

(45) **Date of Patent:** **\*\* Jul. 26, 2022**

(54) **WIRELESS REMOTE CONTROL**  
(71) Applicant: **SOMFY ACTIVITES SA**, Cluses (FR)  
(72) Inventors: **Thomas Desagre**, Sallanches (FR);  
**Mathieu PrevotEAU**, Cran-Gevrier (FR);  
**Pierre Garner**, Paris (FR); **Thomas Droze**, Chambéry (FR)  
(73) Assignee: **SOMFY ACTIVITES SA**, Cluses (FR)  
(\*\*) Term: **15 Years**

D506,186 S \* 6/2005 Bohn ..... D13/174  
D518,002 S \* 3/2006 Johanneck ..... D13/184  
D538,758 S \* 3/2007 Lemaire ..... D13/169  
D562,264 S \* 2/2008 Jeong ..... D13/164  
D595,262 S \* 6/2009 Nousiainen ..... D14/206  
D725,049 S \* 3/2015 Paredes ..... D13/168  
D751,515 S \* 3/2016 Paredes ..... D13/168  
D756,333 S \* 5/2016 Smith ..... D14/218  
D757,691 S \* 5/2016 Smith ..... D14/218  
D806,657 S \* 1/2018 Russo ..... D10/104.1  
D812,021 S \* 3/2018 Lee ..... D13/171  
D857,635 S \* 8/2019 PrevotEAU ..... D13/162  
D873,687 S \* 1/2020 PrevotEAU ..... D10/81

(Continued)

(21) Appl. No.: **35/512,059**

(22) Filed: **Jun. 4, 2021**

(80) **Hague Agreement Data**

Int. Filing Date: **Jun. 4, 2021**  
Int. Reg. No.: **DM/214625**  
Int. Reg. Date: **Jun. 4, 2021**  
Int. Reg. Pub. Date: **Jun. 25, 2021**

(30) **Foreign Application Priority Data**

Dec. 4, 2020 (EM) ..... 008309827-0001

(51) **LOC (13) Cl.** ..... **14-03**

(52) **U.S. Cl.**  
USPC ..... **D14/218**; D13/158

(58) **Field of Classification Search**  
USPC ..... D13/162, 168, 158, 169, 171; D14/217,  
D14/218, 228, 388, 455, 203.1, 203.6,  
D14/216, 496; D21/566  
CPC ..... G08C 17/00; G08C 17/02; H04B 1/202;  
H01H 9/02; H01H 9/0214; H01H 9/0235;  
H01H 9/0242  
See application file for complete search history.

(56) **References Cited**

**U.S. PATENT DOCUMENTS**

D301,136 S \* 5/1989 Saito ..... D13/171  
D316,249 S \* 4/1991 King-Pei ..... D13/167

**OTHER PUBLICATIONS**

Lumen, domácí elektroinstalační set by Magdalena Curdova, publication date Jan. 14, 2013, [online] URL: <https://www.behance.net/gallery/6667687/LUMEN-circular-switches> (Year: 2013).\*

(Continued)

*Primary Examiner* — L. A. Grabenstetter

(74) *Attorney, Agent, or Firm* — IpHorgan Ltd.

(57) **CLAIM**

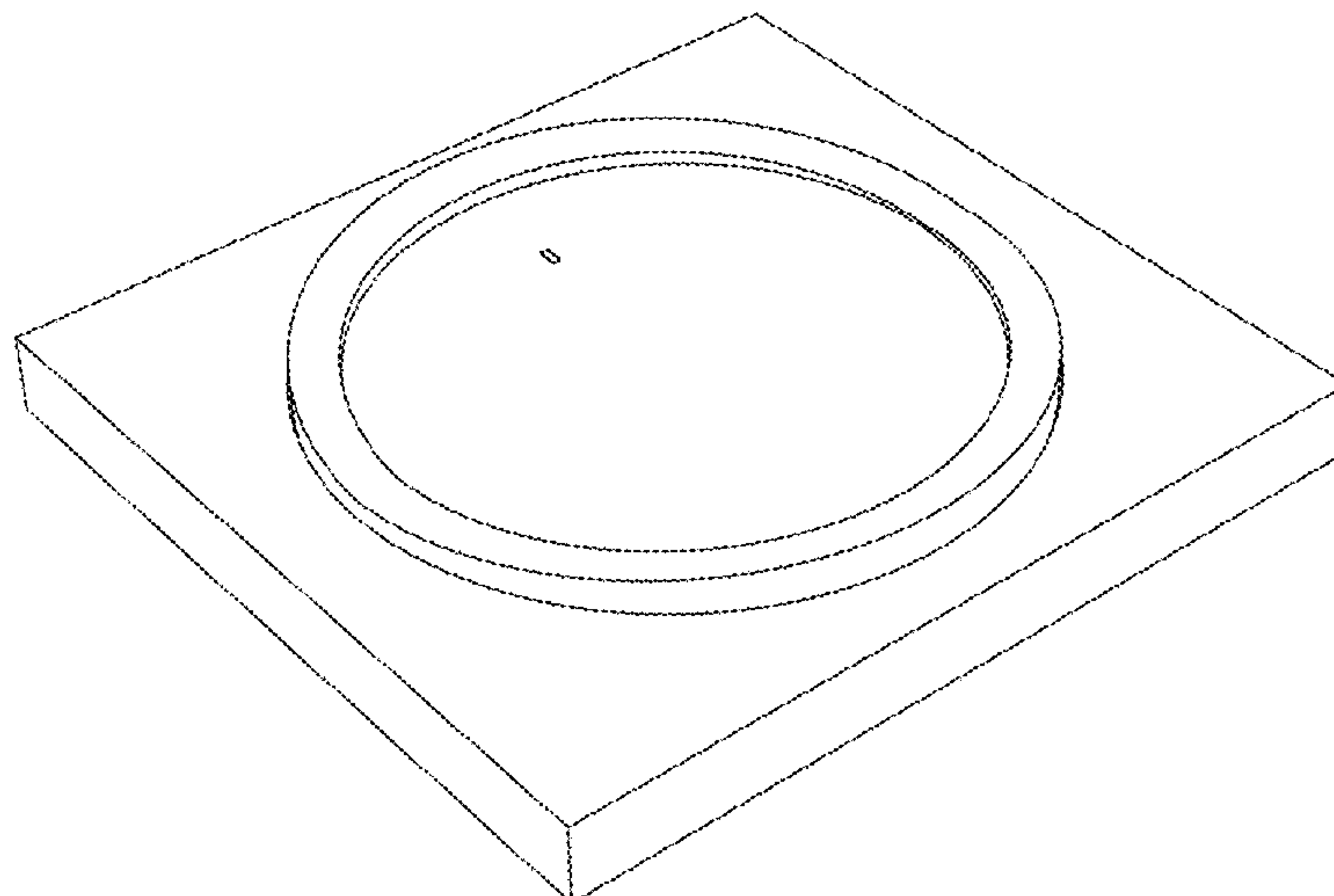
The ornamental design for a wireless remote control, as shown and described.

**DESCRIPTION**

- 1.1 : Perspective
- 1.2 : Front
- 1.3 : Back
- 1.4 : Left
- 1.5 : Right
- 1.6 : Top
- 1.7 : Bottom

The broken lines, and regions surrounded on all sides by broken lines, depict portions of the wireless remote control that form no part of the claimed design.

**1 Claim, 7 Drawing Sheets**



(56)

**References Cited**

U.S. PATENT DOCUMENTS

D902,162 S \* 11/2020 Koo ..... D13/171

OTHER PUBLICATIONS

Meet the smart hubs competing to control your home, publication date Jul. 9, 2014, [online] URL: <https://www.cnet.com/home/smart-home/smart-hubs/> (Year: 2014).\*

Bond Smart Home Bridge Review, publication date Jul. 23, 2019, [online] URL: <https://digitized.house/bond-bridge-review/> (Year: 2019).\*

Etersky Smart WiFi Dimmer Switch, publication date Mar. 14, 2020, [online] URL: <https://www.amazon.co.uk/Etersky-Stepless-Compatible-Control-Schedule/dp/B085WJNLC3> (Year: 2020).\*

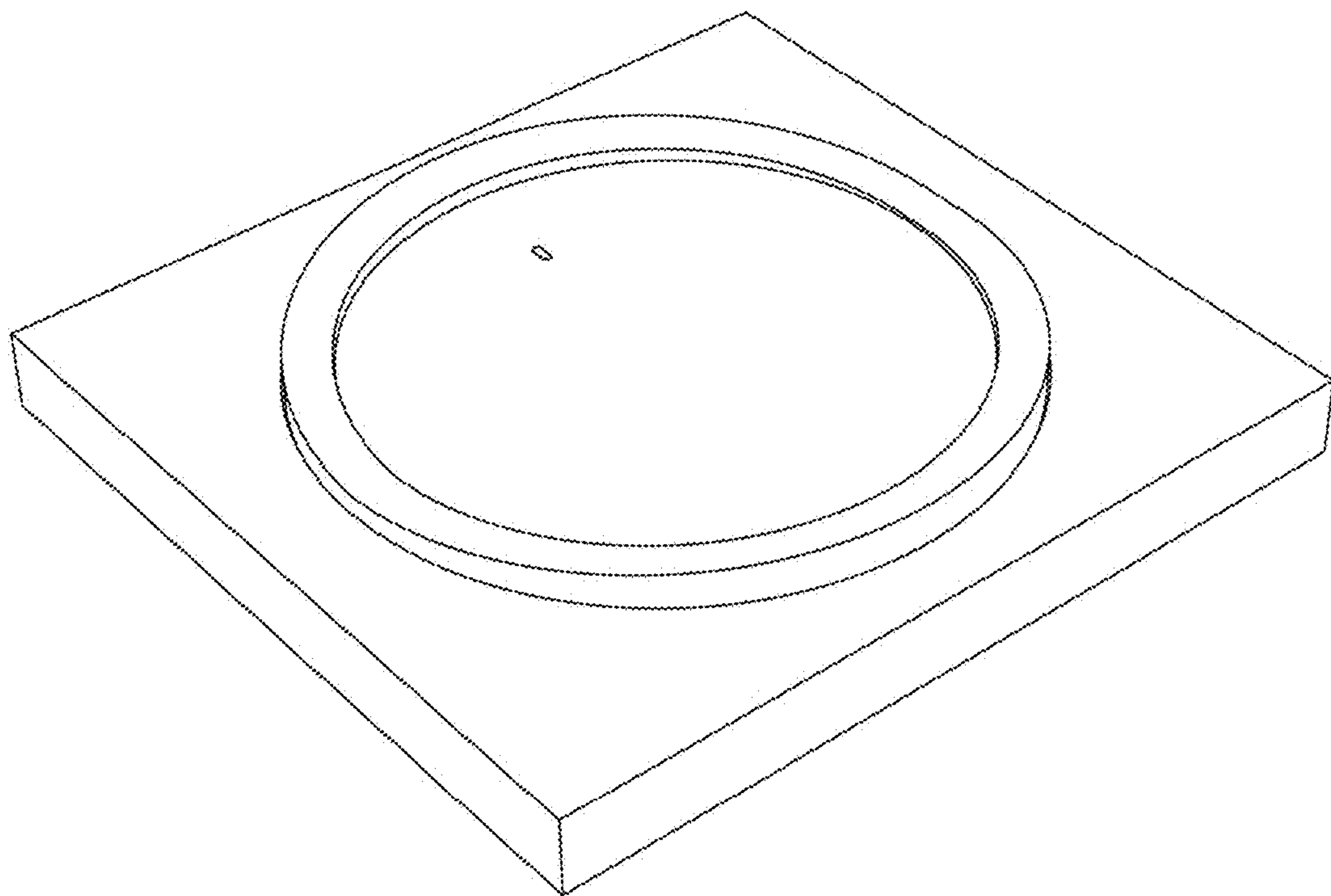
602 by Owon technology, publication date Mar. 27, 2020, [online] URL: <https://www.youtube.com/watch?v=5VwbW0iie2A> (Year: 2020).\*

Enerj Smart Dimmer switch WIFI unboxing and complete setup, publication date Feb. 11, 2020, [online] URL: <https://www.youtube.com/watch?v=jXW11G0odsQ> (Year: 2020).\*

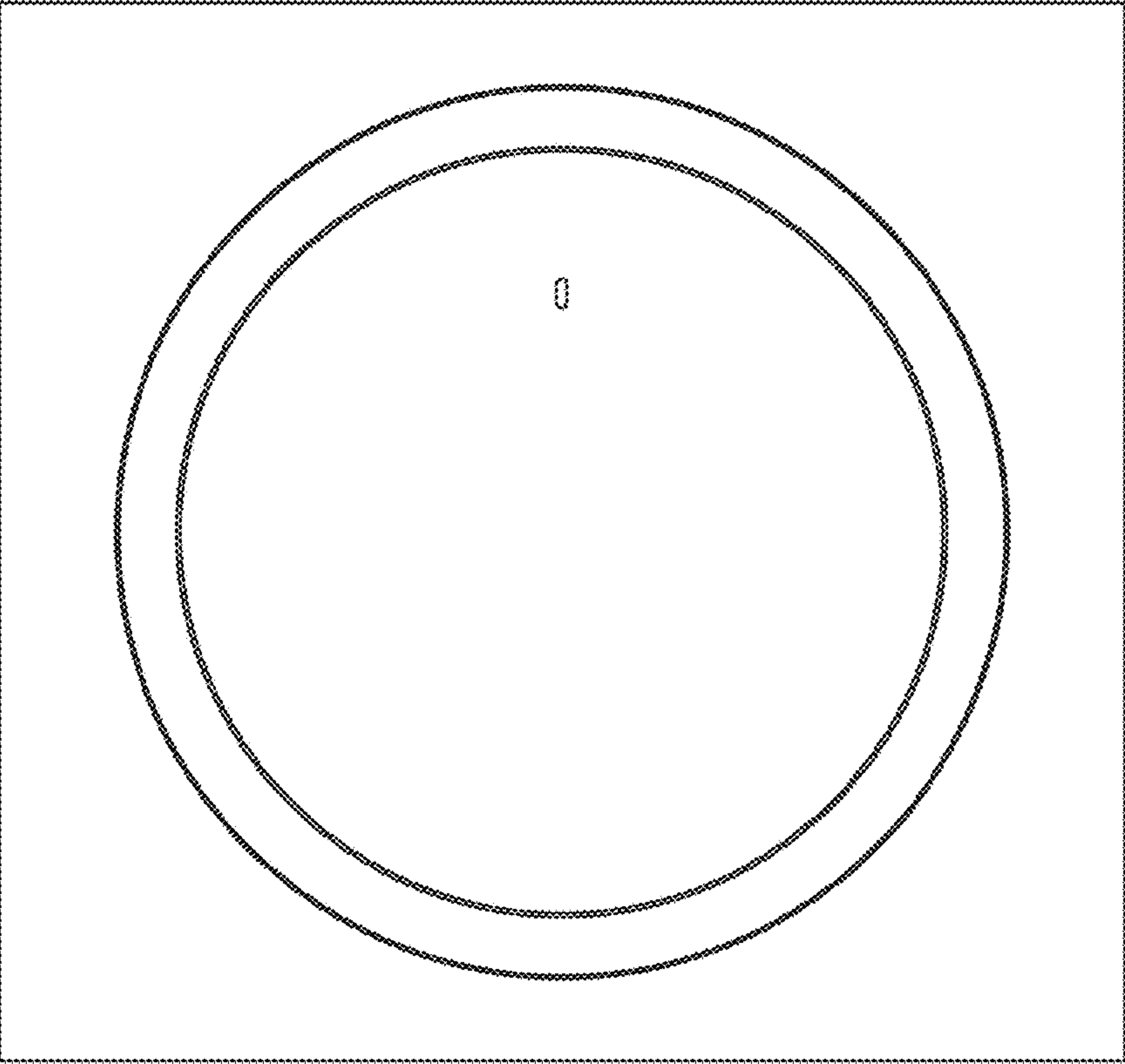
Somfy wall switch io, publication date Mar. 10, 2021, [online] URL: [https://www.youtube.com/watch?v=xcODP\\_k2d7g](https://www.youtube.com/watch?v=xcODP_k2d7g) (Year: 2021).\*

\* cited by examiner

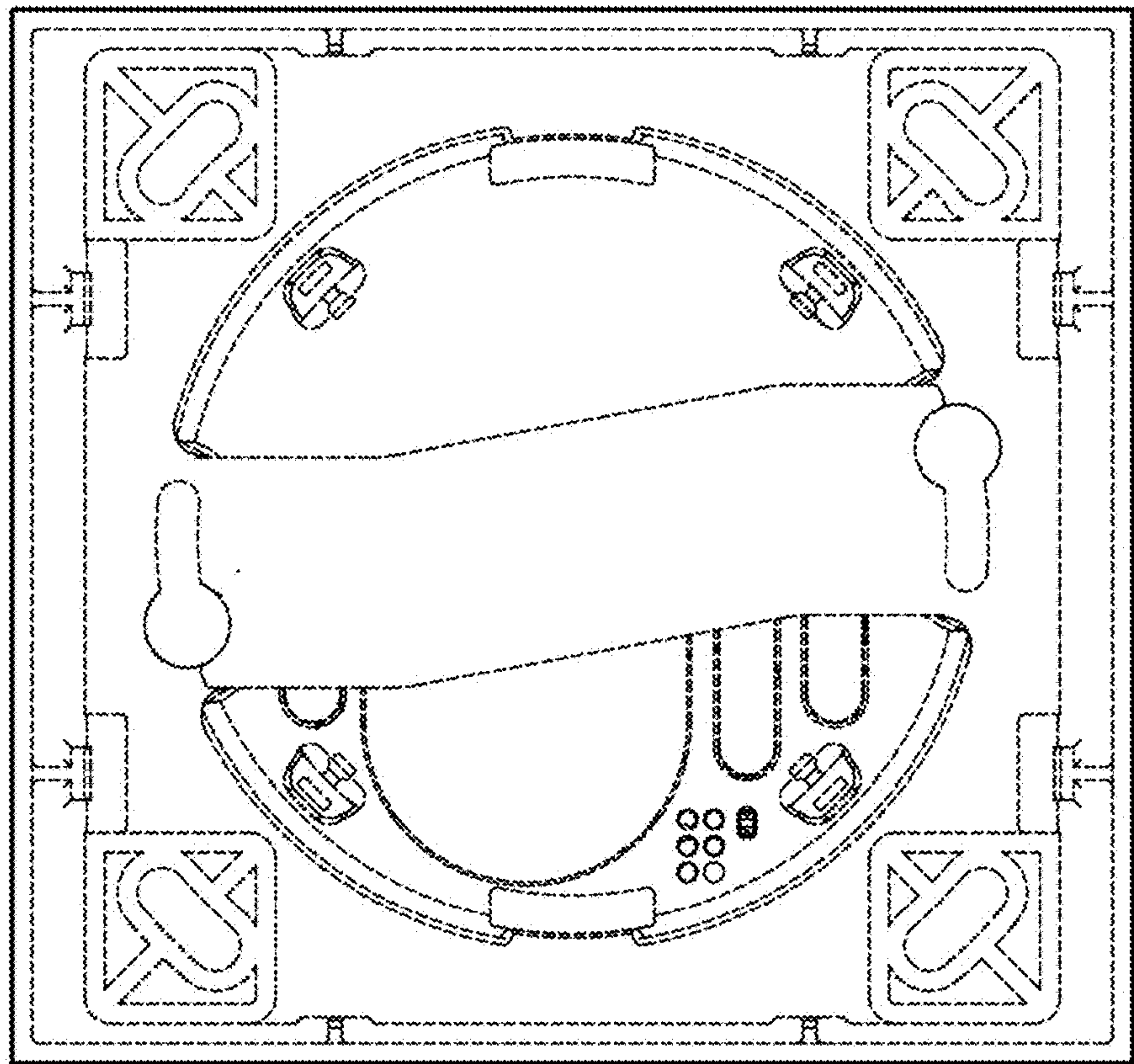
1.1



1.2

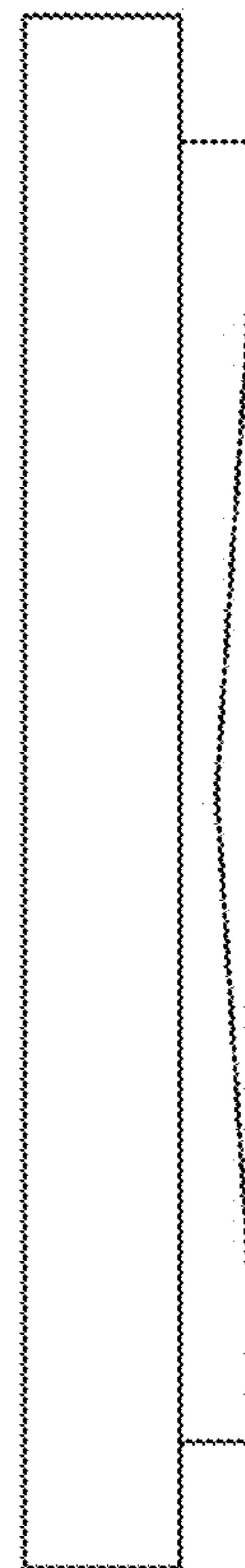


1.3

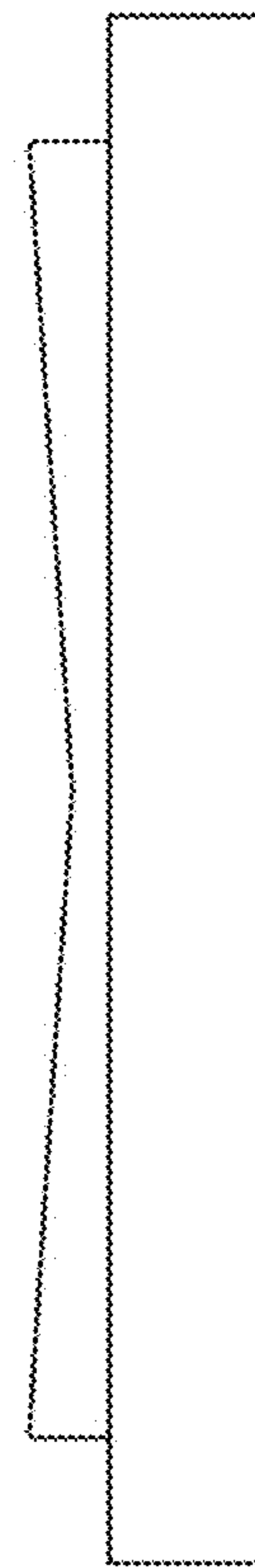




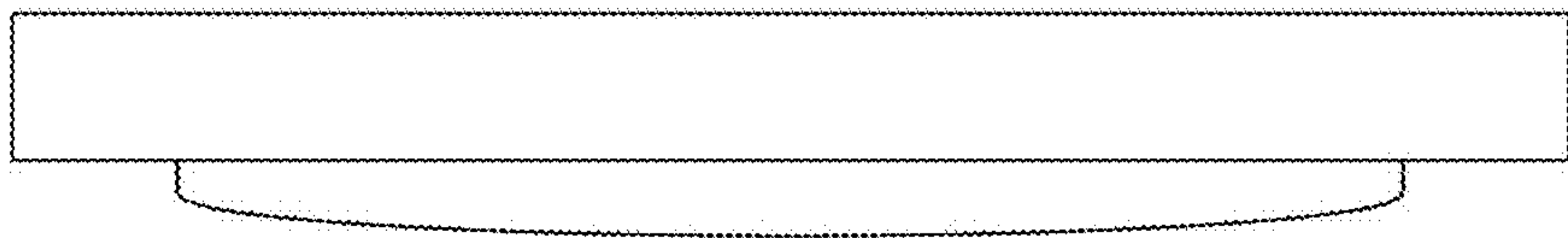
1.4



1.5



**1.6**





1.7

