



US00D958773S

(12) **United States Design Patent**  
**Yan**

(10) **Patent No.:** **US D958,773 S**  
(45) **Date of Patent:** **\*\* Jul. 26, 2022**

- (54) **WIRELESS EARPHONE**
- (71) Applicant: **Shenzhen FuShiKe Electronic Co., Ltd, Shenzhen (CN)**
- (72) Inventor: **Xiaohuang Yan, Shenzhen (CN)**
- (73) Assignee: **Shenzhen FuShiKe Electronic Co., Ltd, Shenzhen (CN)**
- (\*\*) Term: **15 Years**
- (21) Appl. No.: **29/765,775**
- (22) Filed: **Jan. 12, 2021**
- (51) **LOC (13) Cl.** ..... **14-01**
- (52) **U.S. Cl.**  
USPC ..... **D14/206; D14/226**
- (58) **Field of Classification Search**  
USPC ..... D14/206, 226, 188, 192, 142, 218;  
D29/112; 2/209; 381/380-381, 370-371,  
381/374-375; 379/430  
CPC ..... H04R 25/00; H04R 25/02; H04R 1/1016;  
H04R 1/1066; H04R 5/033; H04R  
5/0335; H04R 19/04; H04R 11/06; H04R  
1/008; H04R 1/1091  
See application file for complete search history.

- D517,528 S \* 3/2006 Skulley ..... D14/206
- D518,479 S \* 4/2006 Skulley ..... D14/225
- 7,031,475 B2 \* 4/2006 Kuraoka ..... H04M 1/05  
381/74
- D529,900 S \* 10/2006 Skulley ..... D14/223
- D531,165 S \* 10/2006 Rath ..... D14/206
- 7,190,330 B2 \* 3/2007 Travers ..... G02B 27/0176  
345/7
- D539,788 S \* 4/2007 Thompson ..... D14/225
- D539,789 S \* 4/2007 Rausch ..... D14/225
- D540,778 S \* 4/2007 Thompson ..... D14/206
- D587,684 S \* 3/2009 Ham ..... D14/205
- 7,519,196 B2 \* 4/2009 Bech ..... H04R 1/105  
381/384
- D602,002 S \* 10/2009 Asai ..... D14/206

(Continued)

**FOREIGN PATENT DOCUMENTS**

- CN 305886897 \* 6/2020
- CN 305886899 \* 6/2020

*Primary Examiner* — Paula Allen Greene

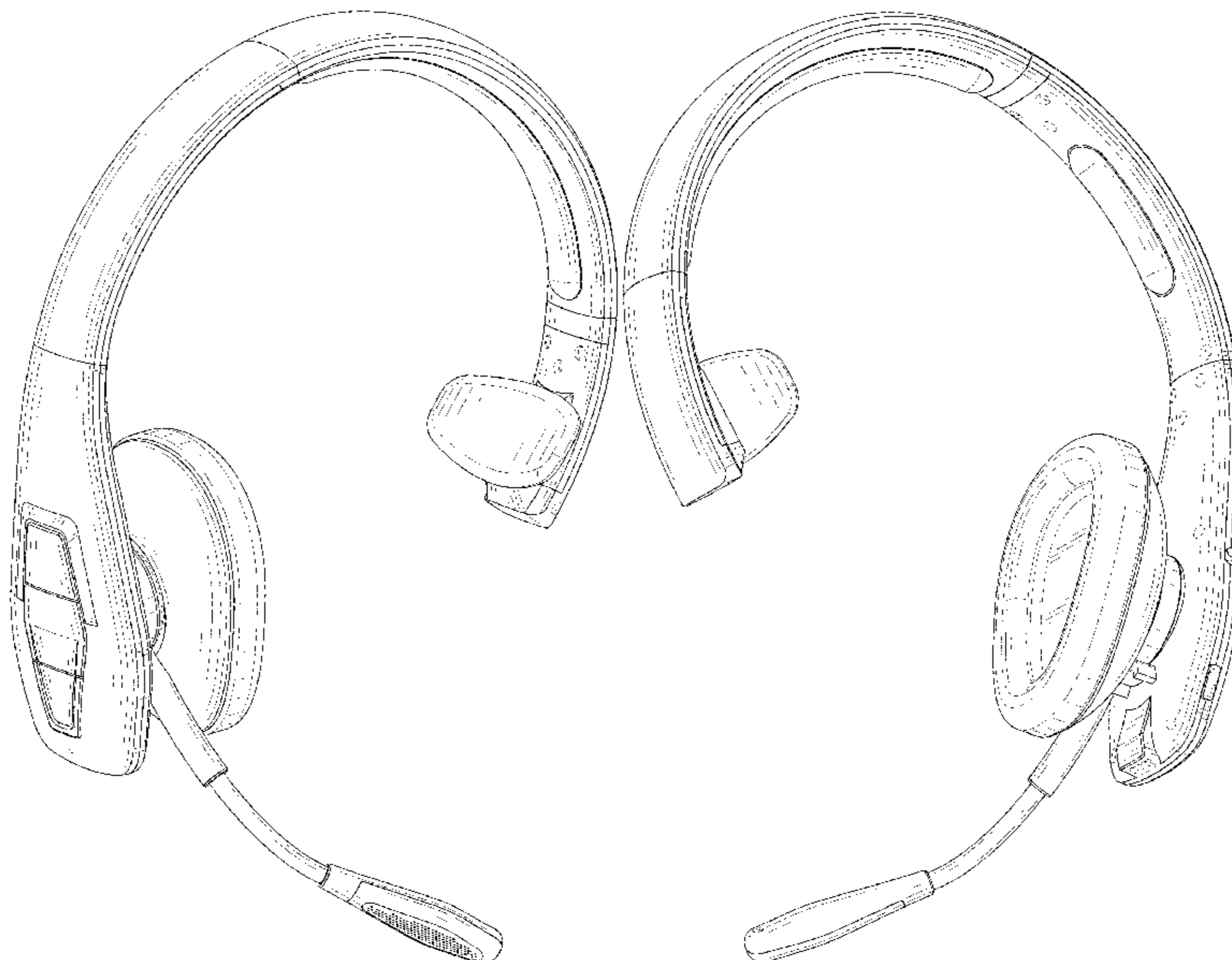
(57) **CLAIM**

The ornamental design for a wireless earphone, as shown and described.

**DESCRIPTION**

FIG. 1 is a front perspective view of a wireless earphone showing my new design;  
 FIG. 2 is a rear perspective view thereof;  
 FIG. 3 is a front elevational view thereof;  
 FIG. 4 is a rear elevational view thereof;  
 FIG. 5 is a left side elevational view thereof;  
 FIG. 6 is a right side elevational view thereof;  
 FIG. 7 is a top plan view thereof;  
 FIG. 8 is a bottom plan view thereof; and,  
 FIG. 9 is an enlarged view of a circled portion 9 of FIG. 8.  
 The broken lines in the drawings depict portions of the wireless earphone that form no part of the claimed design.

**1 Claim, 9 Drawing Sheets**



(56)

References Cited

U.S. PATENT DOCUMENTS

D602,908 S *	10/2009	Ham	.....	D14/206	D788,077 S *	5/2017	Ducret	.....	D14/218
D612,835 S *	3/2010	Yang	.....	D14/206	D824,362 S *	7/2018	Probst	.....	D14/206
D617,781 S *	6/2010	Kallas	.....	D14/229	D847,781 S *	5/2019	Chen	.....	D14/206
D638,000 S *	5/2011	Hoggarth	.....	D14/206	D851,628 S *	6/2019	Wernblad	.....	D14/206
D638,397 S *	5/2011	McManigal	.....	D14/205	D851,629 S *	6/2019	Summerson	.....	D14/206
D654,471 S *	2/2012	Fischer	.....	D14/206	D868,607 S *	12/2019	Li	.....	D14/218
D666,168 S *	8/2012	Rath	.....	D14/206	D880,448 S *	4/2020	Jaques	.....	D14/205
D667,814 S *	9/2012	Abell	.....	D14/206	D882,544 S *	4/2020	Paterson	.....	D14/205
D668,240 S *	10/2012	Brandis	.....	D14/206	D883,829 S *	5/2020	Nytko	.....	D10/104.1
D677,648 S *	3/2013	Lee	.....	D14/206	D896,203 S *	9/2020	Tong	.....	D14/206
D690,680 S *	10/2013	McManigal	.....	D14/205	D899,402 S *	10/2020	Shen	.....	D14/206
D691,110 S *	10/2013	Ham	.....	D14/205	D918,172 S *	5/2021	Jaques	.....	D14/206
D712,875 S *	9/2014	Katori	.....	D14/206	D926,151 S *	7/2021	Zhong	.....	D14/206
D716,258 S *	10/2014	Awiszus	.....	D14/206	D927,451 S *	8/2021	Paterson	.....	D14/206
D716,259 S *	10/2014	Awiszus	.....	D14/206	D940,685 S *	1/2022	He	.....	D14/206
9,036,849 B2 *	5/2015	Thompson	.....	H04R 1/083 381/370	2002/0102005 A1 *	8/2002	Lin	.....	H04R 1/1066 381/381
D747,557 S *	1/2016	Bonney	.....	D29/112	2010/0040252 A1 *	2/2010	Thompson	.....	H04R 1/083 381/375
D786,826 S *	5/2017	Esses	.....	D14/206	2012/0163616 A1 *	6/2012	Birch	.....	H04R 1/1066 381/74
					2020/0125646 A1 *	4/2020	D'oleo	.....	G06F 40/58

\* cited by examiner

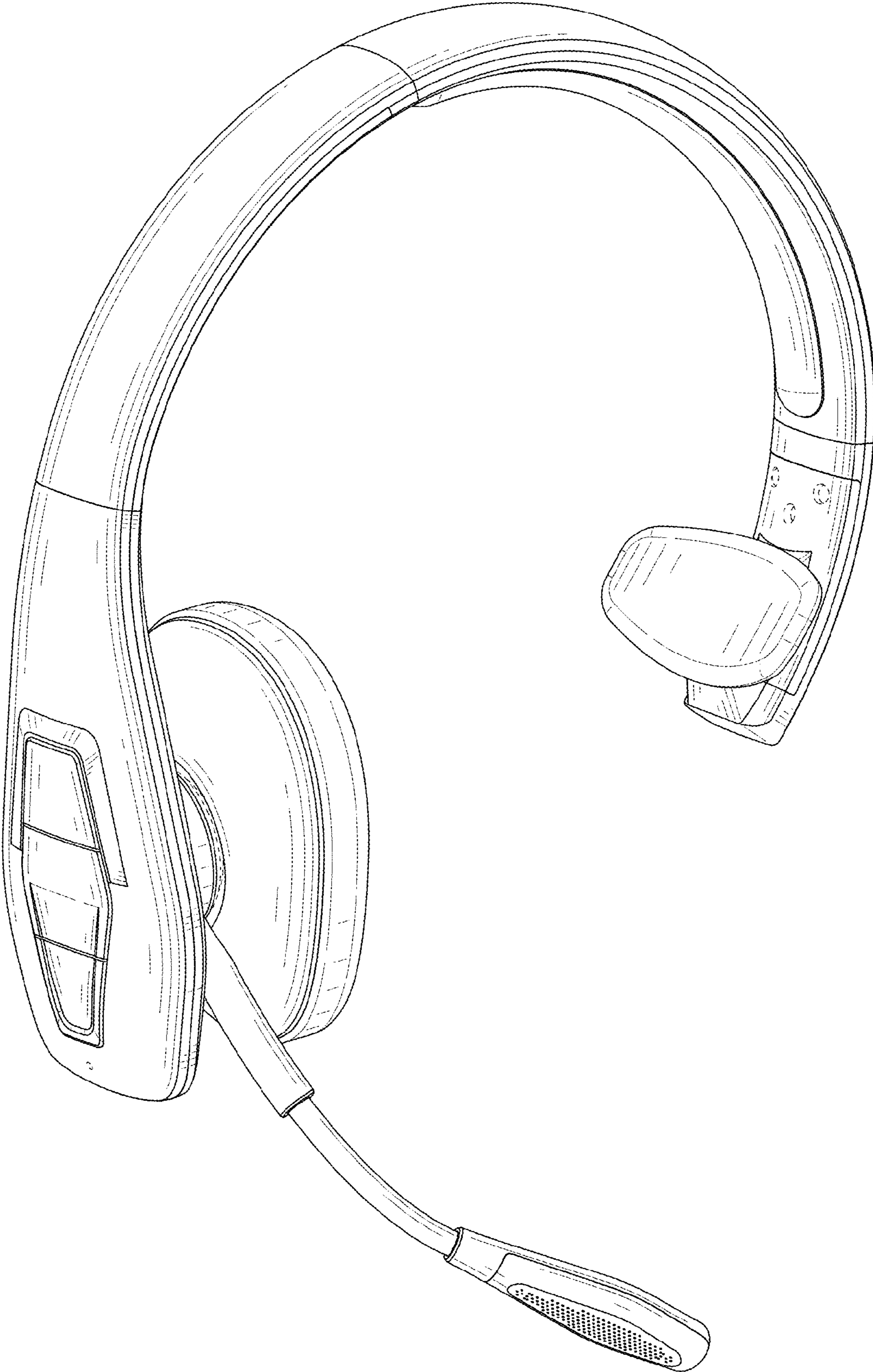


FIG. 1

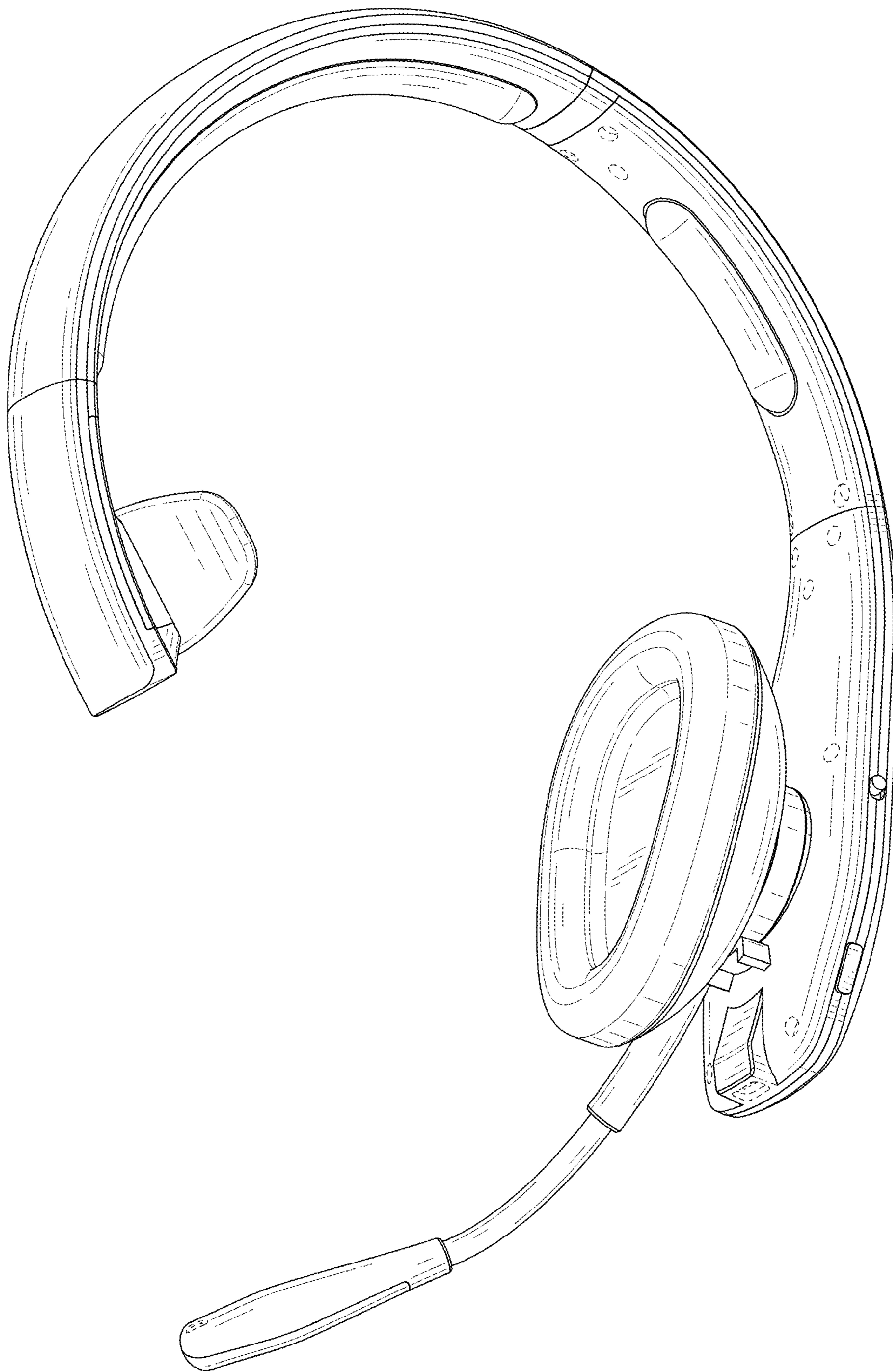


FIG. 2



FIG. 3

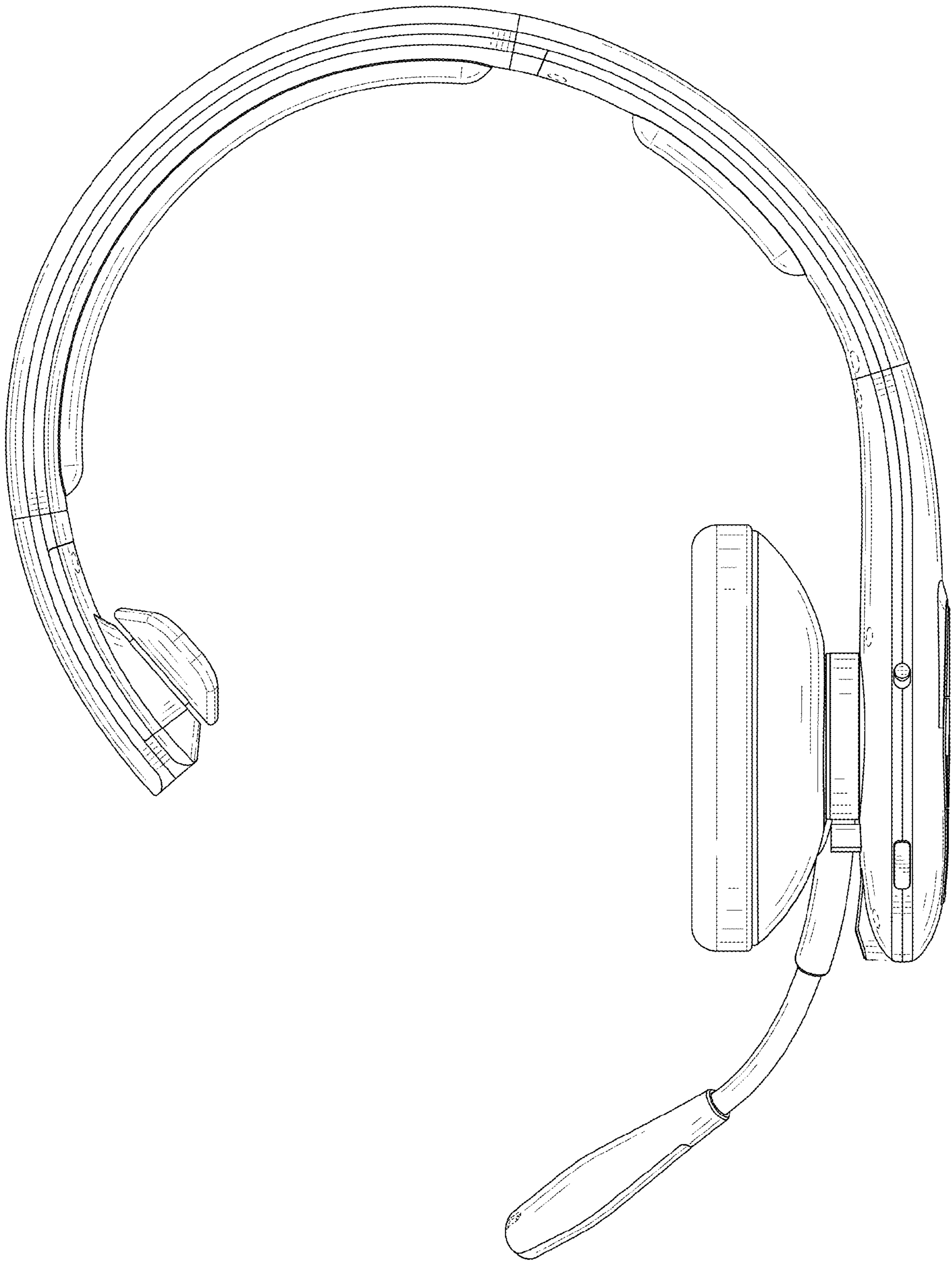


FIG. 4

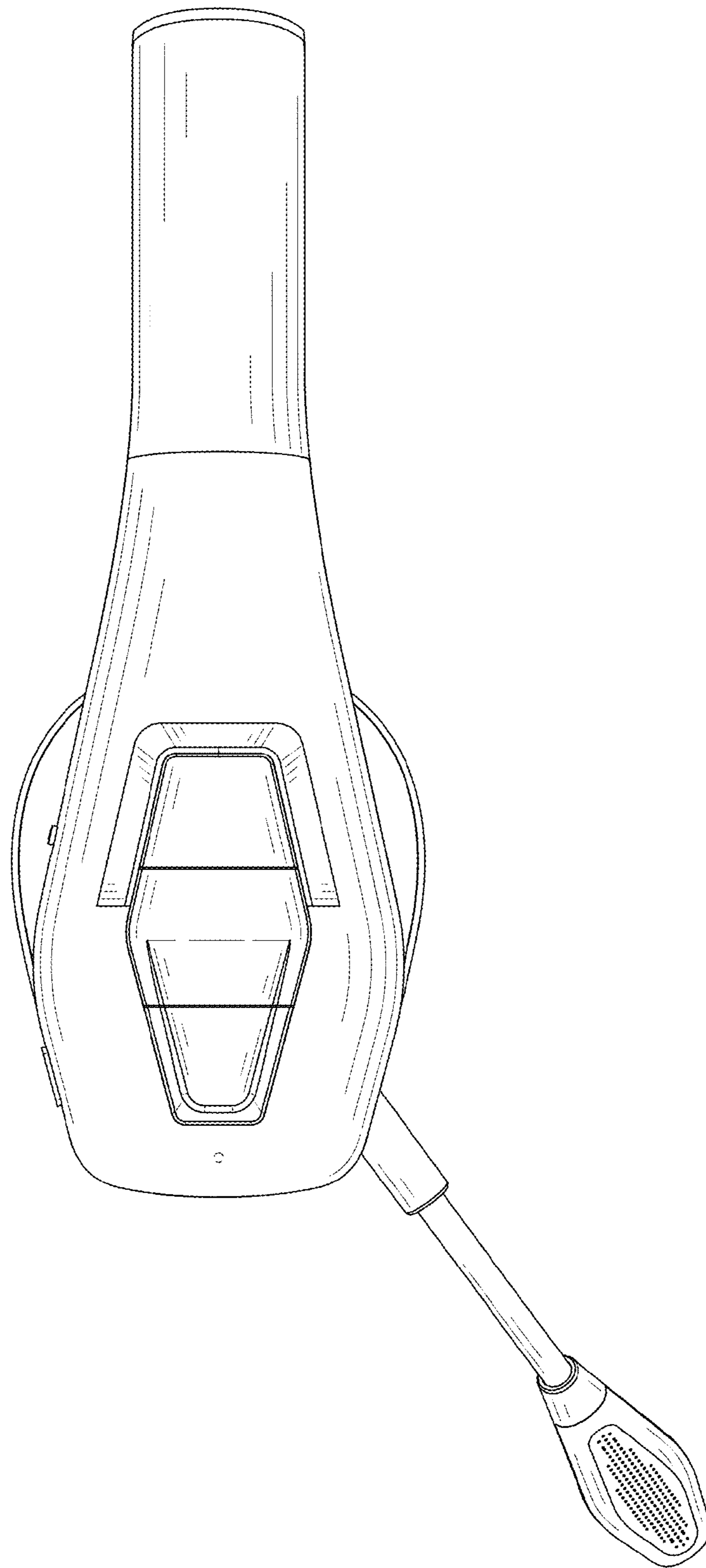


FIG. 5

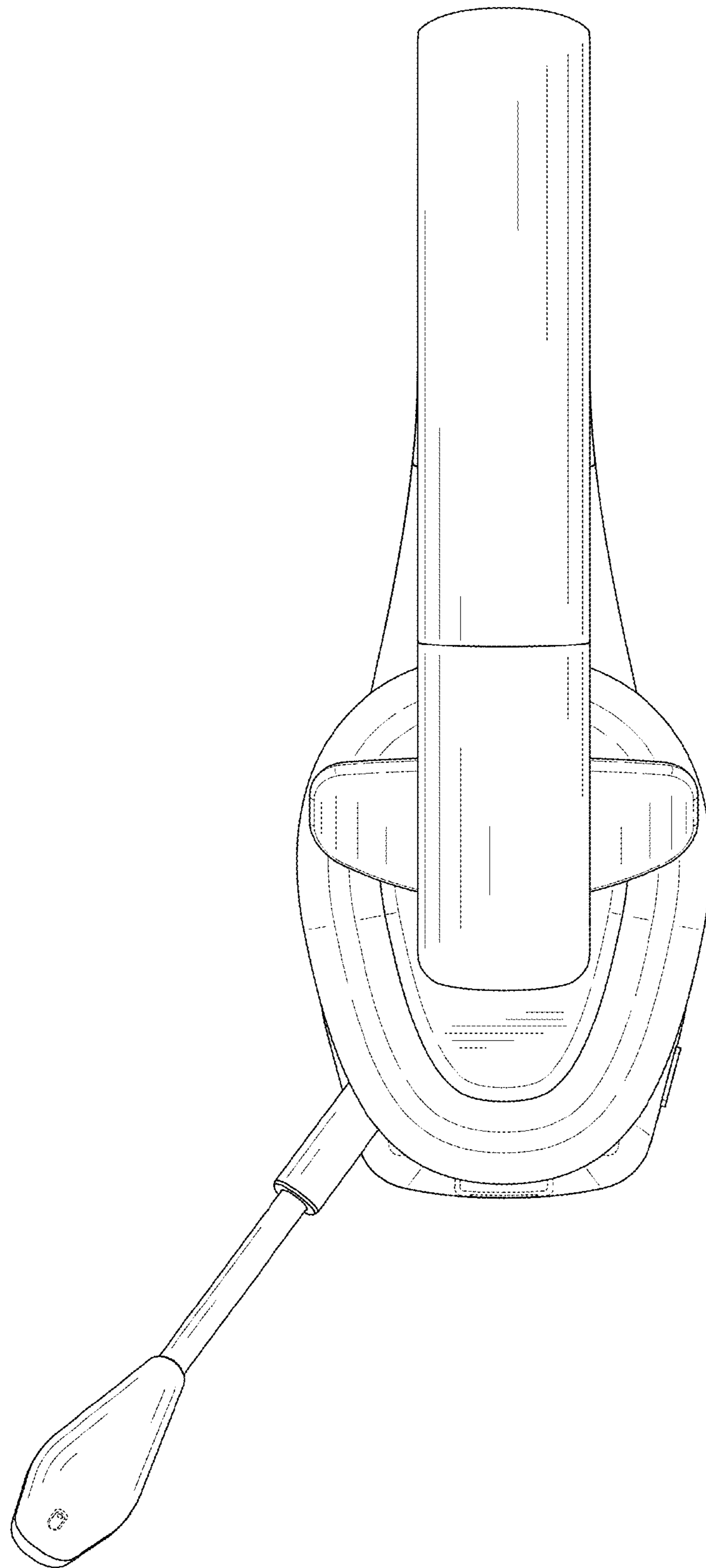


FIG. 6



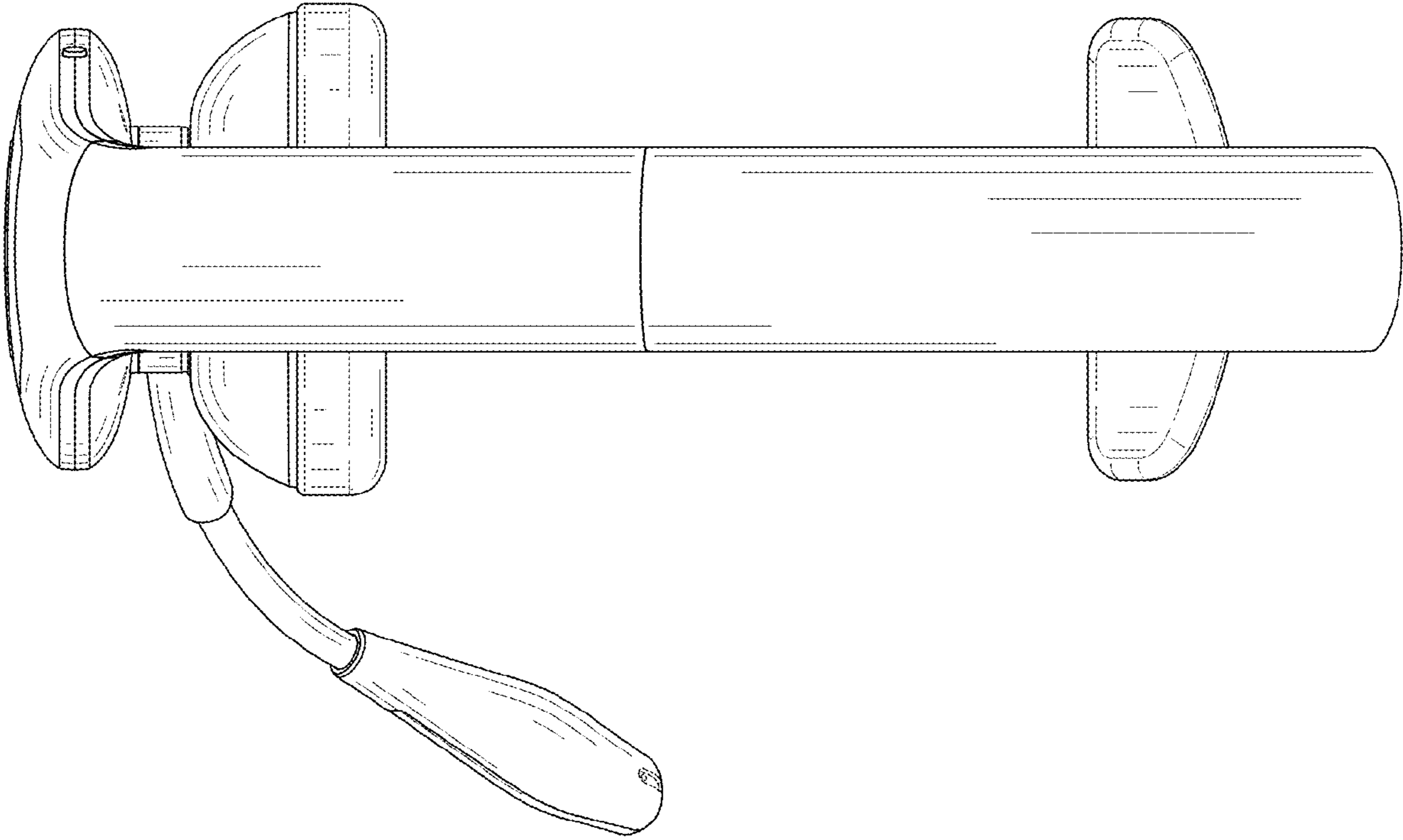


FIG. 7

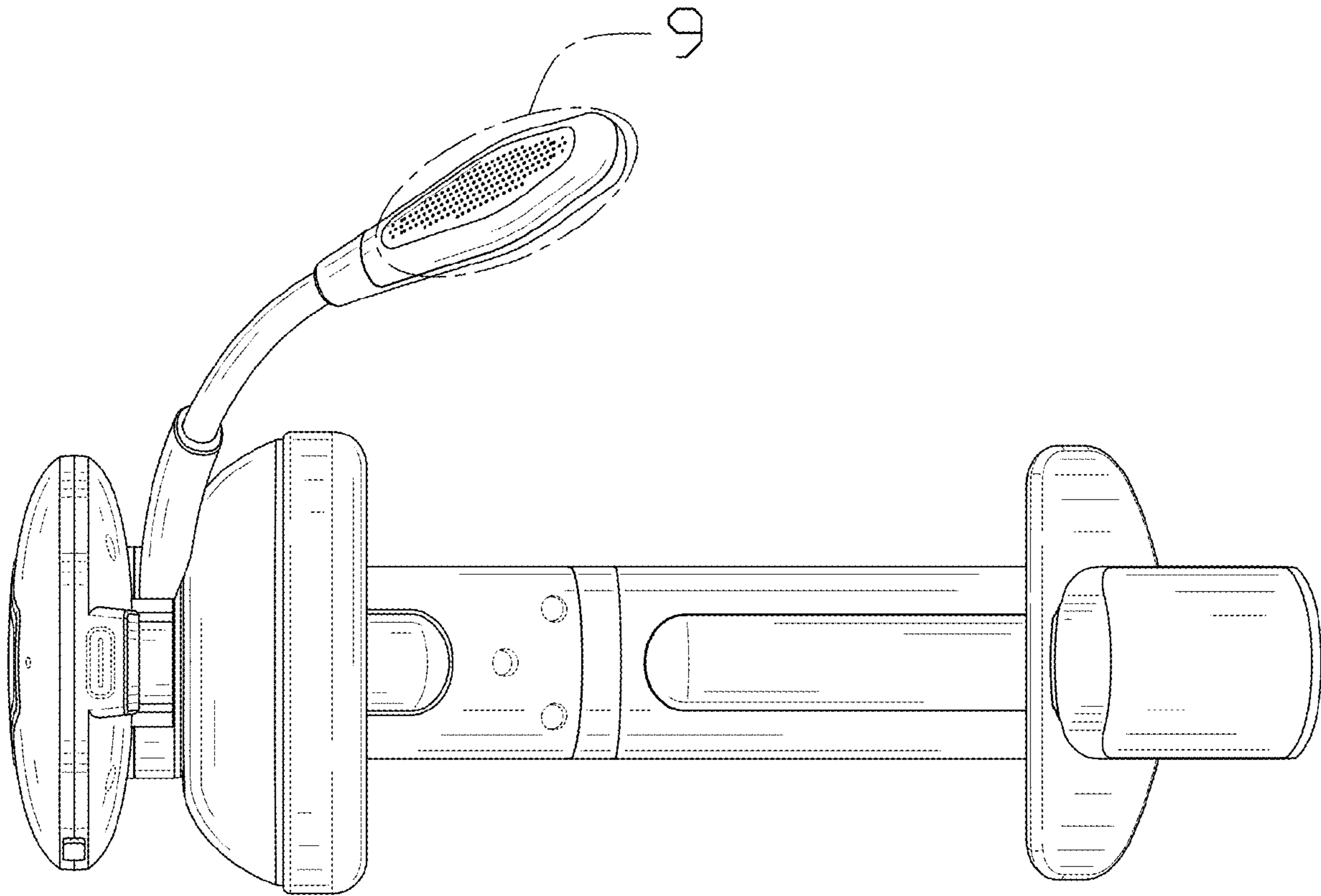


FIG. 8

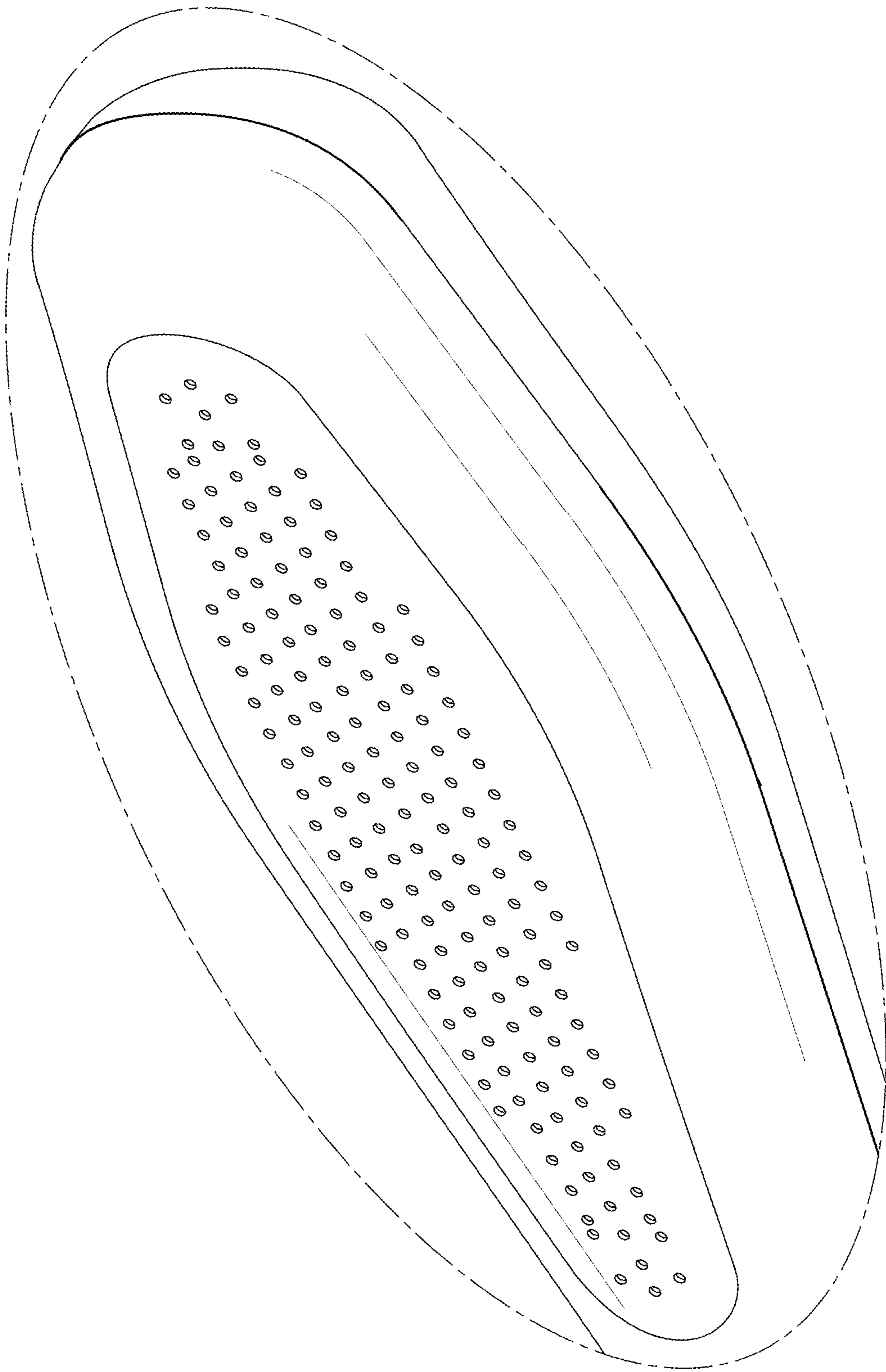


FIG. 9