



US00D958771S

(12) **United States Design Patent**
Fadul

(10) **Patent No.:** **US D958,771 S**
(45) **Date of Patent:** **** Jul. 26, 2022**

(54) **PORTABLE SPEAKER**

FOREIGN PATENT DOCUMENTS

(71) Applicant: **Grace Digital Inc.**, Poway, CA (US)

CN 306161818 * 11/2020

(72) Inventor: **Greg William Fadul**, San Diego, CA (US)

OTHER PUBLICATIONS

(73) Assignee: **Grace Digital Inc.**, Poway, CA (US)

ECOXGEAR EcoBoulder MAX, date available: Jul. 4, 2020, [retrieved Jan. 15, 2021], Retrieved from Internet, URL: <https://www.amazon.com/ECOXGEAR-EcoBoulder-Waterproof-Floating-Bluetooth/dp/B08CCK2JG2/ref=asc_df_B08CCK2JG2/?tag=hyprod-20&link%2E%80%A6> (Year: 2020).*

(**) Term: **15 Years**

(Continued)

(21) Appl. No.: **29/716,577**

(22) Filed: **Dec. 10, 2019**

Primary Examiner — Barbara Fox

(51) **LOC (13) Cl.** **14-01**

Assistant Examiner — Aram Kwon

(52) **U.S. Cl.**
USPC **D14/204**

(74) *Attorney, Agent, or Firm* — Genius Patent APC;
Bruce Angus Hare

(58) **Field of Classification Search**
USPC D14/155–159, 160–173, 187–188,
D14/203.1–203.8, 204–216, 217–222,
D14/223, 225–229, 496, 189–198,
D14/257–258; D13/107, 108, 110, 118,
D13/184, 199

(57) **CLAIM**

CPC H04R 1/02; H04R 1/021; H04R 1/023;
H04R 5/00; H04R 9/06; H04R 2420/07
See application file for complete search history.

The ornamental design for a portable speaker, as shown and described.

DESCRIPTION

(56) **References Cited**

U.S. PATENT DOCUMENTS

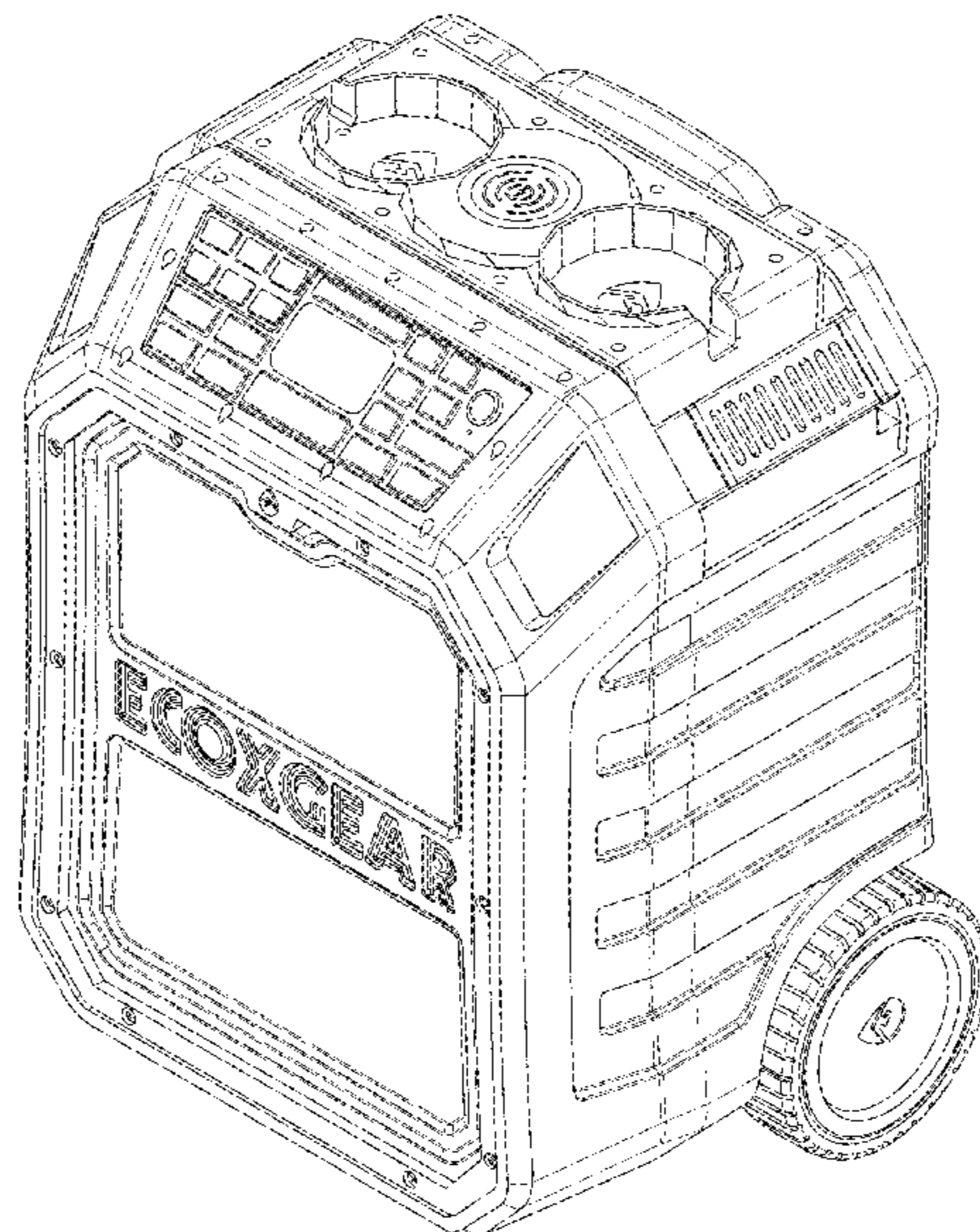
4,168,762	A	*	9/1979	Griffin, Jr.	H04R 1/2834	181/148
D451,084	S	*	11/2001	Su	D14/155	
D599,324	S	*	9/2009	Shen	D14/196	
D758,336	S	*	6/2016	Kelly	D14/204	
D772,092	S	*	11/2016	Hageman	D10/119.1	
D772,094	S	*	11/2016	Kruska	D10/119.1	
D876,395	S	*	2/2020	Kung	D14/214	
D879,738	S	*	3/2020	Guo	D14/188	
D892,762	S	*	8/2020	Yang	D14/204	
D917,569	S	*	4/2021	Youngblutt	D15/7	
D927,462	S	*	8/2021	Kurihara	D14/215	
2017/0325010	A1	*	11/2017	Kung	H04R 1/04	

FIG. 1 illustrates a front elevation view of a portable speaker showing the new design;
FIG. 2 illustrates a top-front perspective view thereof;
FIG. 3 illustrates a right elevation view thereof;
FIG. 4 illustrates a left elevation view thereof;
FIG. 5 illustrates a rear elevation view thereof;
FIG. 6 illustrates a top plan view thereof; and,
FIG. 7 illustrates a bottom plan view thereof.

The portions of the portable speaker depicted in broken line form no part of the claimed design.

The “ECOXGEAR” logo is a registered trademark of Grace Digital, Inc. Corporation California 10531 4S Commons Drive, Building 166 San Diego California 92127 and forms part of the claimed design.

1 Claim, 7 Drawing Sheets



(56)

References Cited

OTHER PUBLICATIONS

EcoBoulderMAX, date not available, [retrieved Jan. 15, 2021], Retrieved from Internet, URL: <<https://ecoxgear.com/collections/party-speakers/products/ecoboulder-max>> (Year: 2020).*

EcoXGear Bluetooth Speakers at Grace Digital Inc, date not available, [retrieved Jan. 15, 2021], Retrieved from Internet, URL: <<https://www.groupon.com/deals/grace-digital-inc#tips>> (Year: 2020).*

* cited by examiner

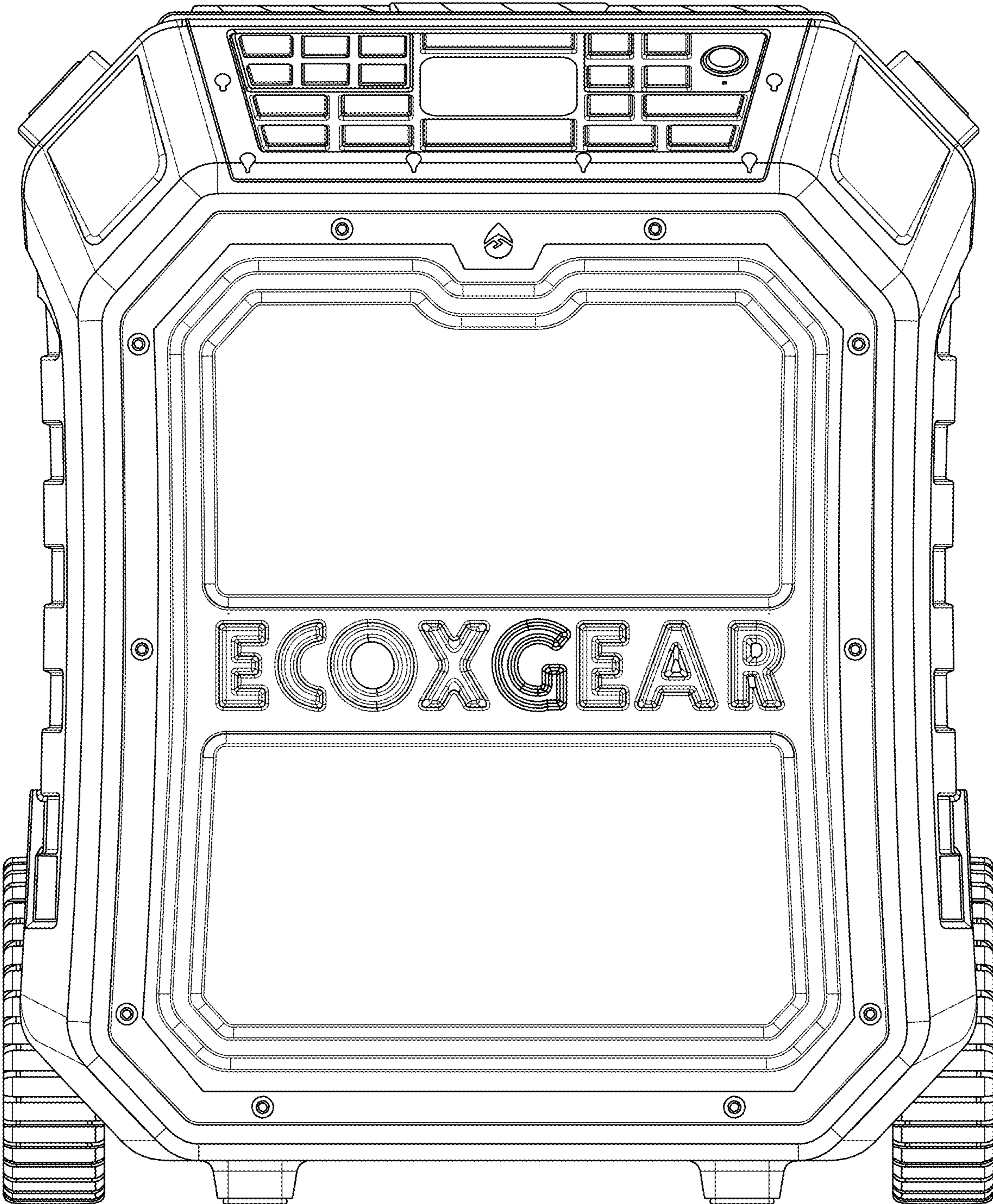


FIG. 1

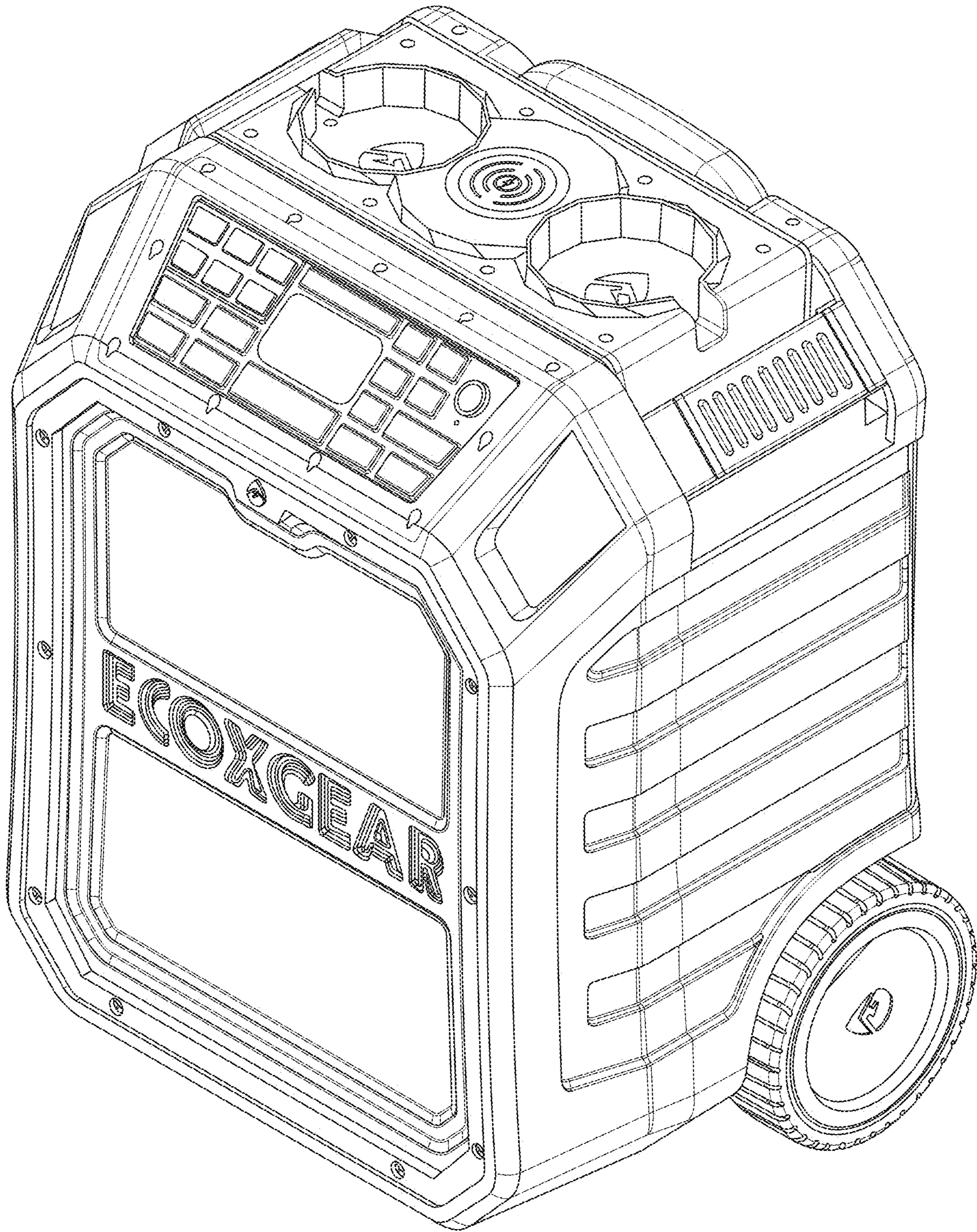


FIG. 2

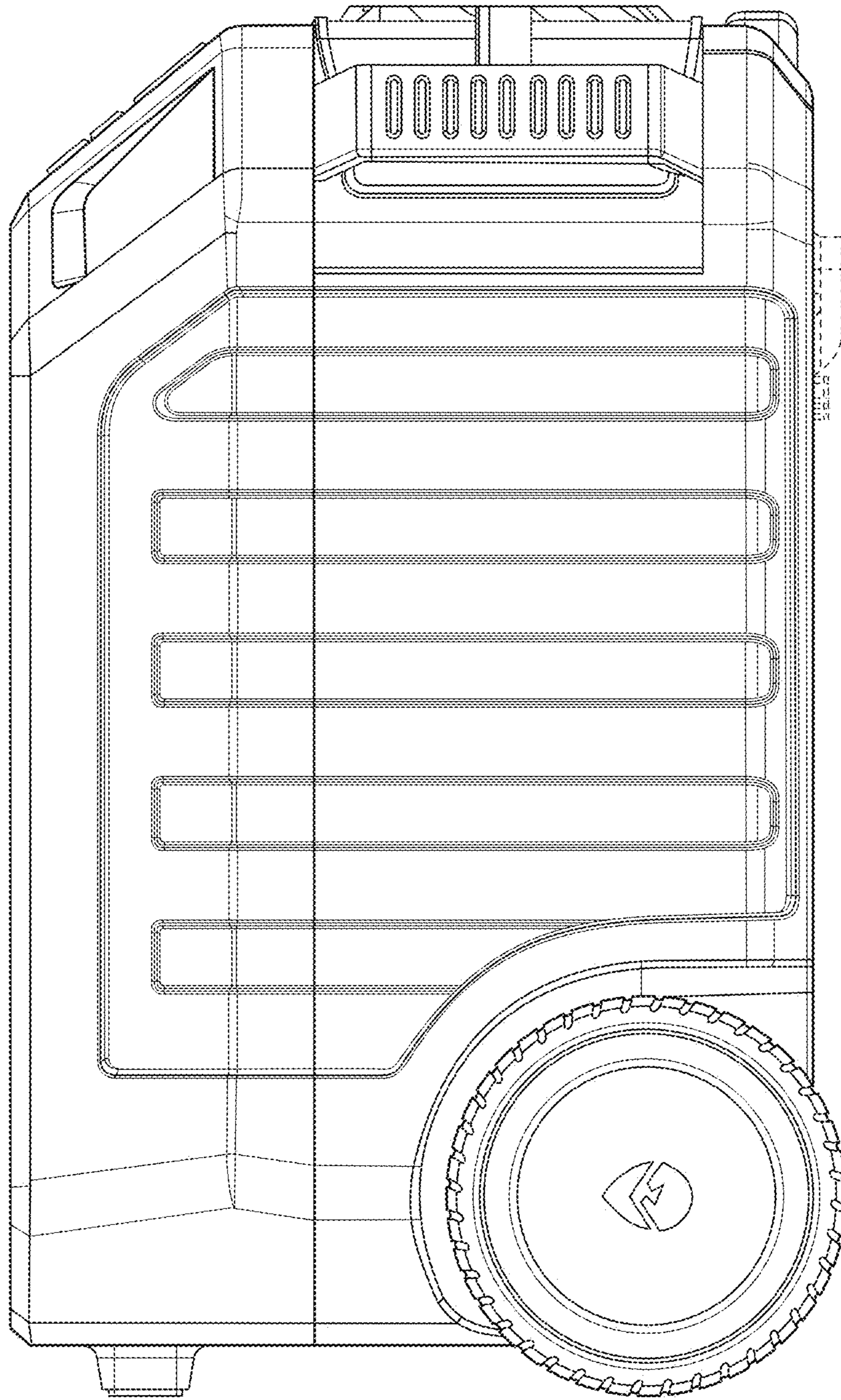


FIG. 3

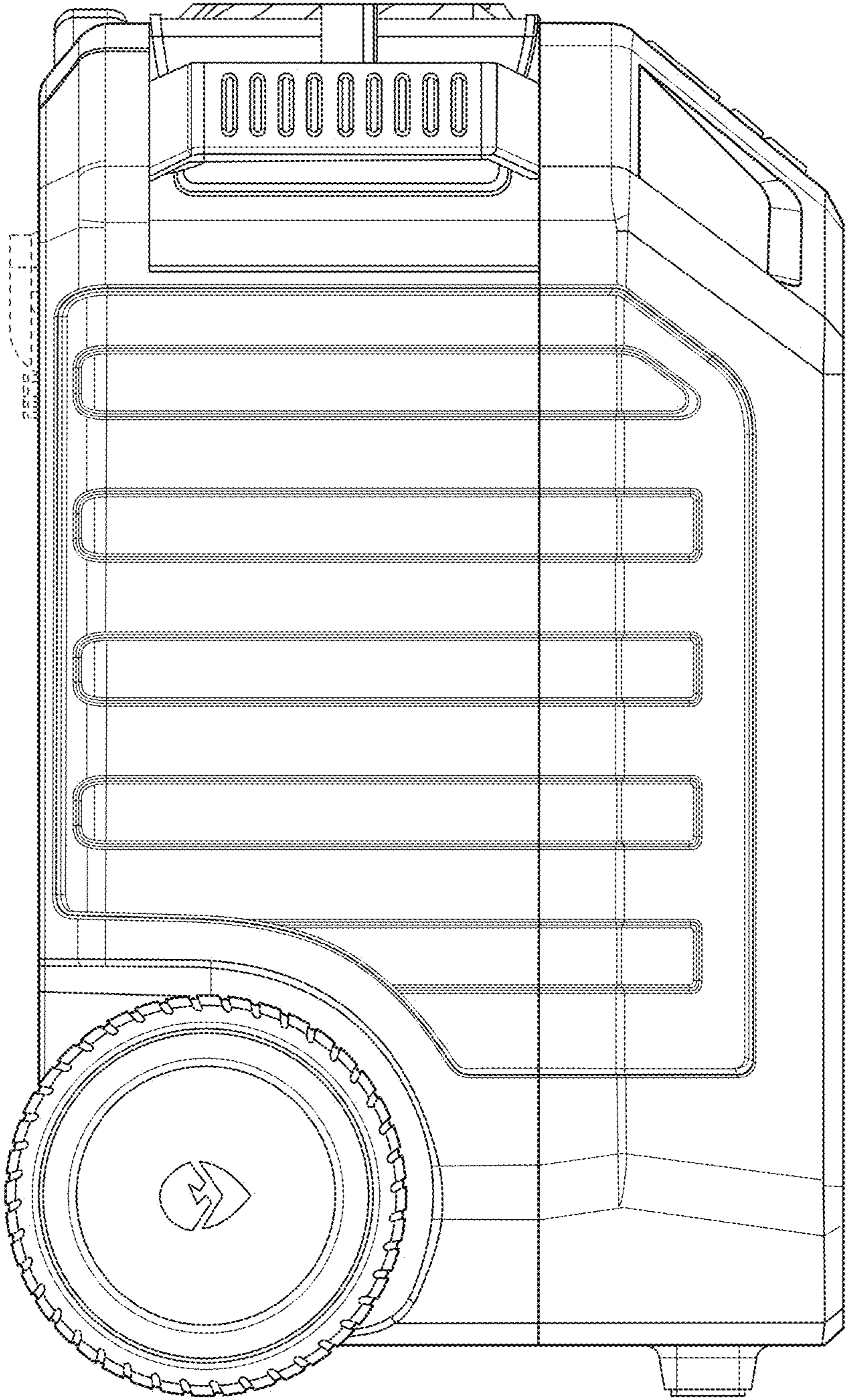


FIG. 4

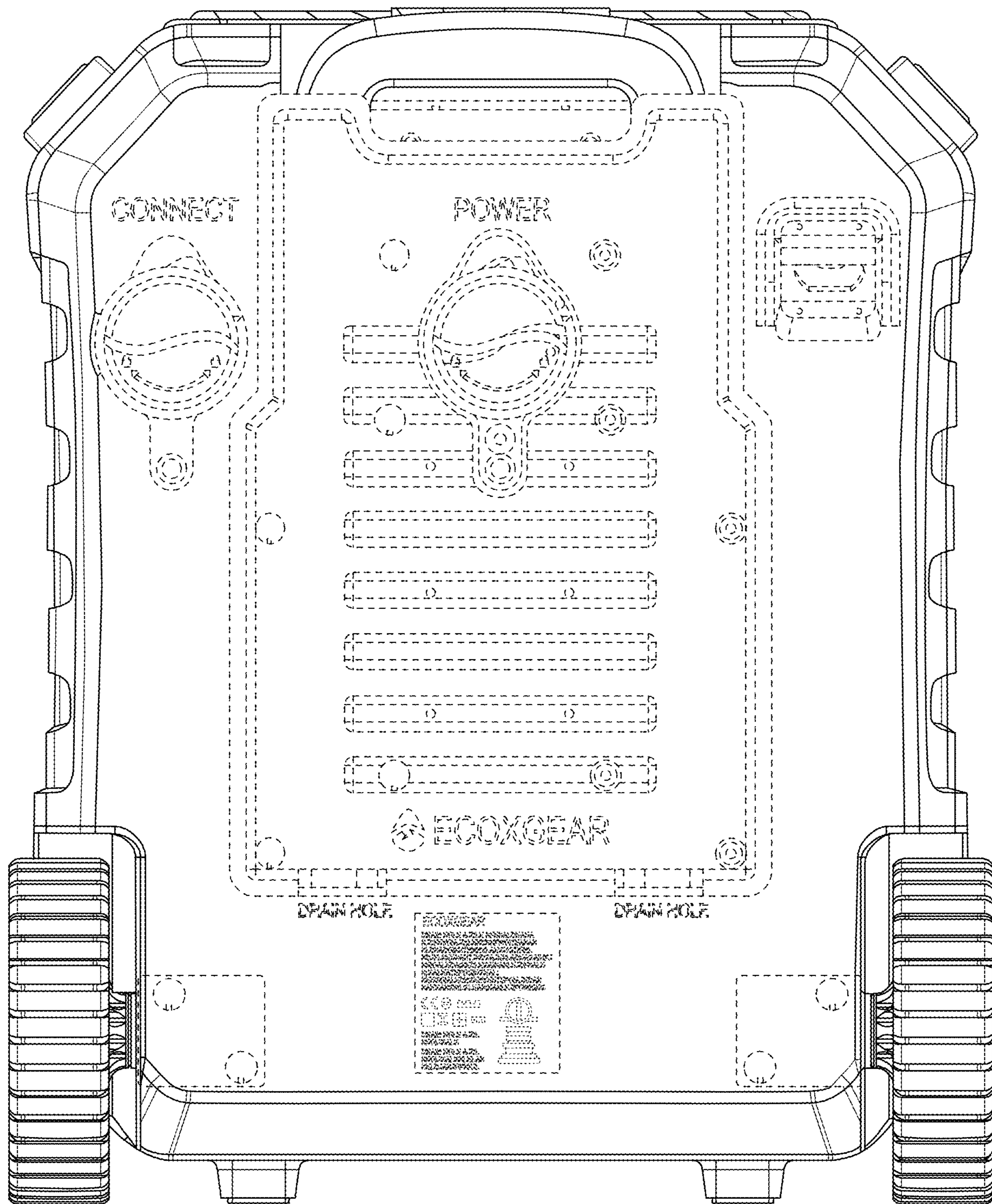


FIG. 5

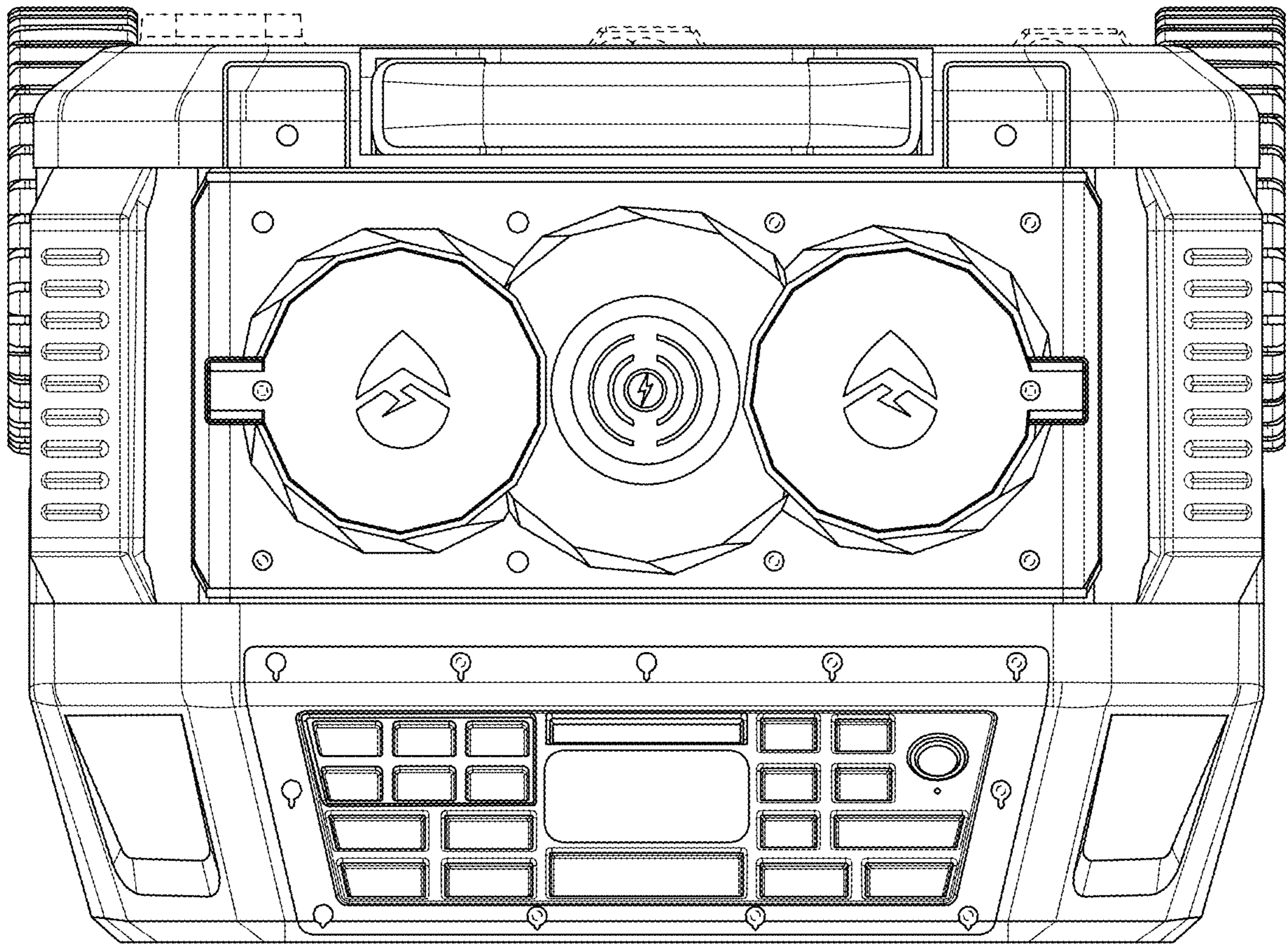


FIG. 6

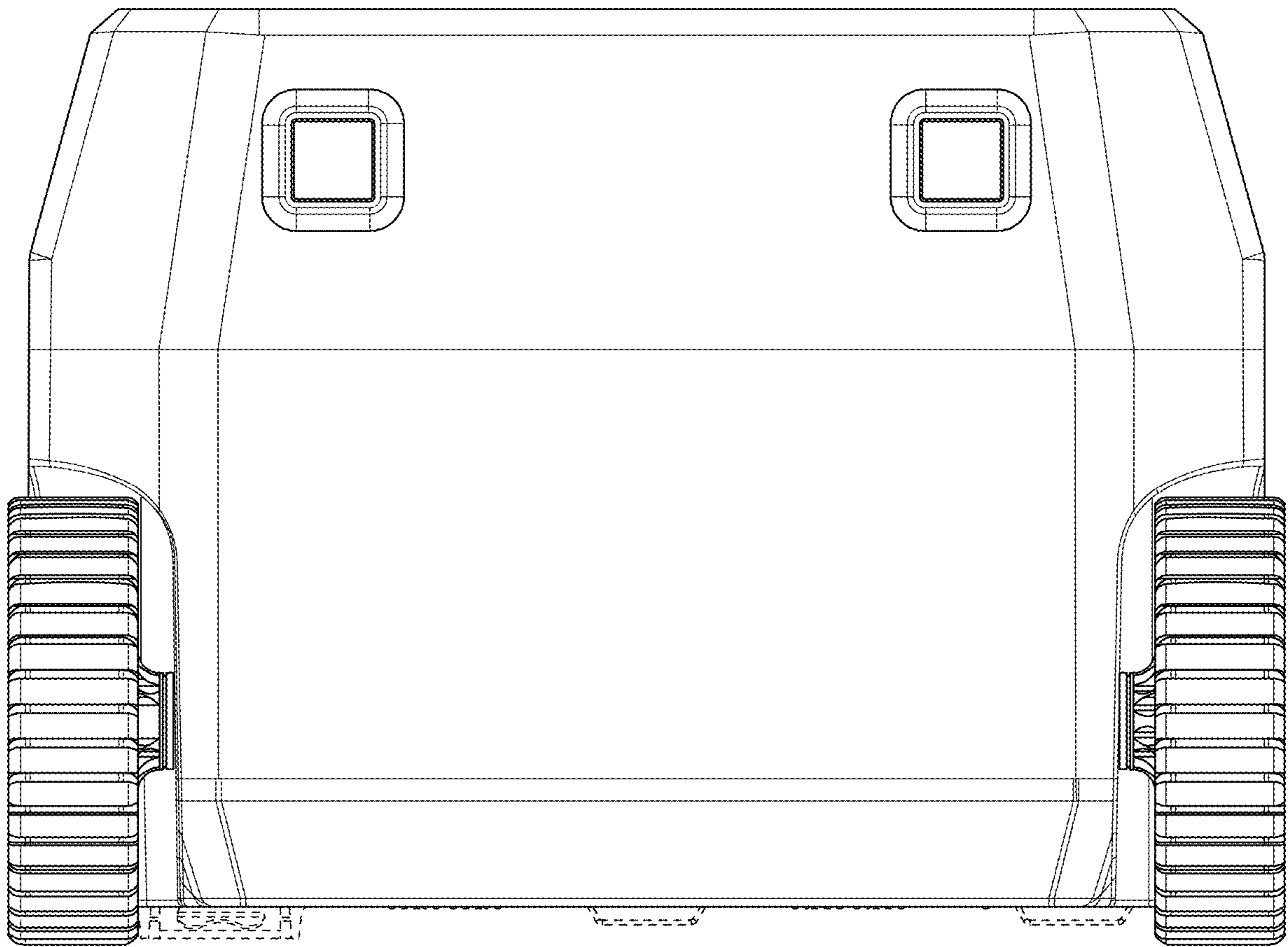


FIG. 7