



US00D958766S

(12) **United States Design Patent**
Woo et al.

(10) **Patent No.:** **US D958,766 S**

(45) **Date of Patent:** **** Jul. 26, 2022**

(54) **HANDHELD COMMUNICATION DEVICE**

D616,845 S * 6/2010 Xia D14/137
D653,637 S * 2/2012 Ismail D14/137
D654,035 S * 2/2012 Ismail D14/137

(71) Applicant: **MOTOROLA SOLUTIONS, INC.**,
Chicago, IL (US)

(Continued)

(72) Inventors: **Kin Hee Woo**, Gelang Patah (MY);
Ban Hin Ooi, Bayan Lepas (MY); **Lee Sun Ooi**,
Kulim (MY); **Soon Hin Lee**, Penang (MY)

FOREIGN PATENT DOCUMENTS

CN 305828363 * 6/2020
CN 305965463 * 8/2020

(Continued)

(73) Assignee: **MOTOROLA SOLUTIONS, INC.**,
Chicago, IL (US)

OTHER PUBLICATIONS

(**) Term: **15 Years**

2 Pack Motorola RMM2050 Radios . . . , amazon.com, first available date Oct. 26, 2016, [online], [site visited May 6, 2022]. Internet URL: https://www.amazon.com/Pack-Motorola-RMM2050-Radios-Speaker/dp/B01M4O8ZNC/ref=sr_1_7? (Year: 2016).*

(Continued)

(21) Appl. No.: **29/693,518**

(22) Filed: **Jun. 3, 2019**

(51) **LOC (13) Cl.** **14-03**

(52) **U.S. Cl.**

USPC **D14/137**

(58) **Field of Classification Search**

USPC D14/137, 138 AA, 147, 148, 218, 155,
D14/159, 142, 225, 226, 191, 203.3,
D14/203.7, 203.1, 203.5, 188, 192,
D14/194-198, 168, 172; D21/517, 566,
D21/324, 329, 331; D10/104.1, 104.2,
D10/106.1, 65, 78; D13/168; D30/199
CPC H04B 1/3833; H04B 1/3827; H04B
2001/3861; G08B 21/0202

See application file for complete search history.

(56) **References Cited**

U.S. PATENT DOCUMENTS

D243,409 S * 2/1977 Eckmann D14/191
D302,686 S * 8/1989 Claxton D14/137
D302,687 S * 8/1989 Claxton D14/137
D322,251 S * 12/1991 Siddoway D14/137
D351,383 S * 10/1994 Richards D14/137
D408,811 S * 4/1999 Page D14/137

Primary Examiner — Jeffrey D Asch

(74) *Attorney, Agent, or Firm* — Raguraman Kumaresan

(57) **CLAIM**

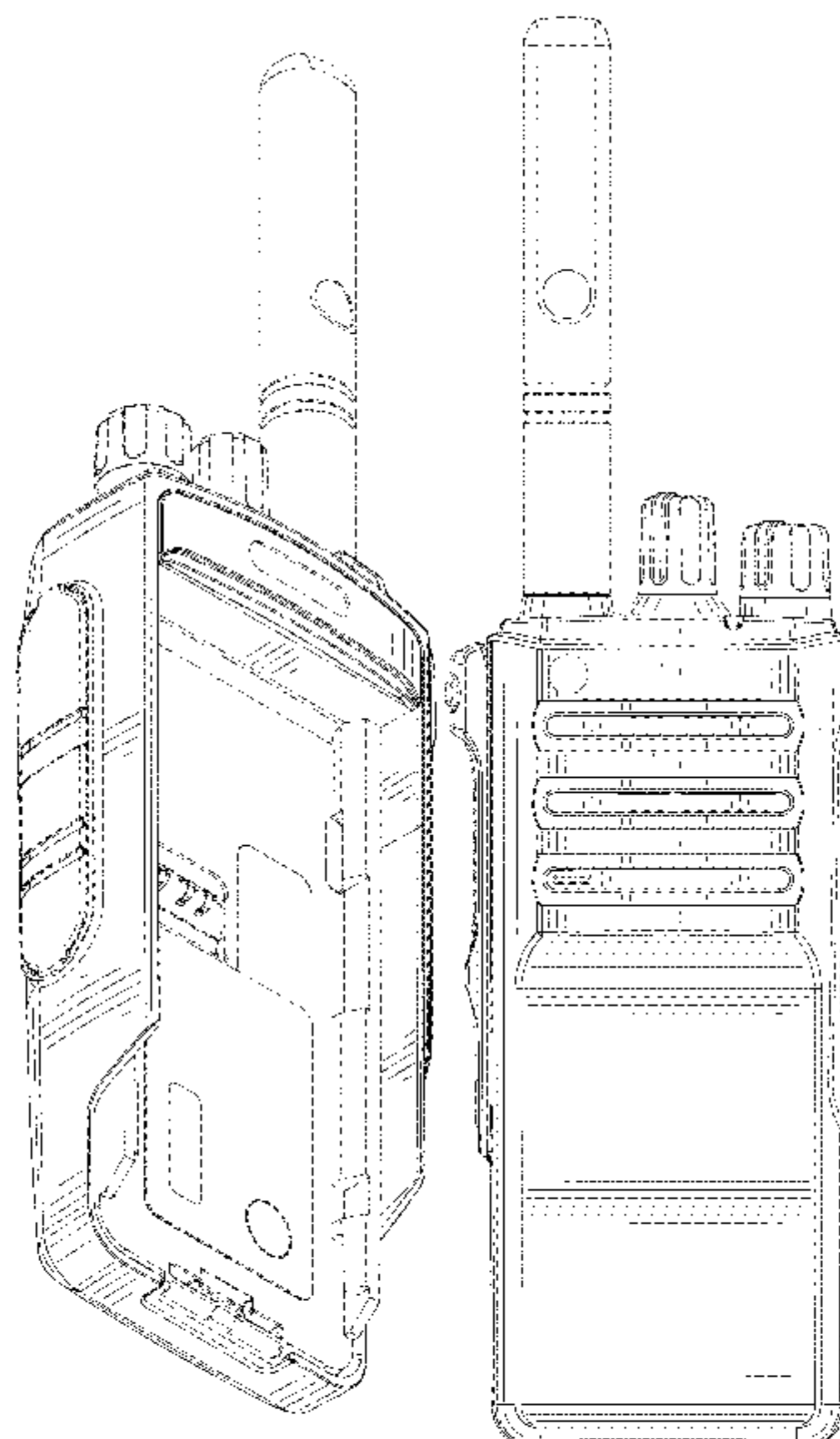
The ornamental design for a handheld communication device, as shown and described.

DESCRIPTION

FIG. 1 is a front perspective view of an ornamental design for a handheld communication device;
FIG. 2 is a rear perspective view thereof;
FIG. 3 is a front view thereof;
FIG. 4 is a rear view thereof;
FIG. 5 is a first side view thereof;
FIG. 6 is a second side view thereof;
FIG. 7 is a top view thereof; and,
FIG. 8 is a bottom view thereof.

All broken lines in the figures illustrate portions of the handheld communication device that form no part of the claimed design. The broken lines that are immediately adjacent to shaded areas, and define unshaded regions, depict boundaries of the claimed design.

1 Claim, 7 Drawing Sheets



(56)

References Cited

OTHER PUBLICATIONS

U.S. PATENT DOCUMENTS

D711,346 S * 8/2014 Ismail D14/137
 D717,258 S * 11/2014 Garra D14/137
 D717,259 S * 11/2014 Ooi D14/137
 D721,050 S * 1/2015 Kaner D14/137
 D730,866 S * 6/2015 Aihсан D14/188
 D752,536 S * 3/2016 Ooi D14/137
 D752,537 S * 3/2016 Oikawa D14/137
 D754,088 S * 4/2016 Ooi D14/137
 D796,466 S * 9/2017 Sakata D14/137
 D876,379 S * 2/2020 Aihсан D14/137
 D878,316 S * 3/2020 Duman D14/137
 D881,147 S * 4/2020 Nilsen D14/137
 D890,711 S * 7/2020 Lee D14/137
 D896,197 S * 9/2020 Lee D14/137
 D917,410 S * 4/2021 Suzuki D14/137
 D927,442 S * 8/2021 Hong D14/137
 2009/0197545 A1 * 8/2009 Gong H04M 1/236
 455/90.2
 2017/0118003 A1 * 4/2017 Qu H04W 4/10

FOREIGN PATENT DOCUMENTS

CN 306629493 * 6/2021
 CN 306637991 * 6/2021
 CN 306722036 * 7/2021

Motorola RMU2080 Two-Way Radio . . . , amazon.com, first available date Nov. 22, 2016, [online], [site visited May 6, 2022].

Internet URL: https://www.amazon.com/Motorola-RMU2080-HKLN4599-D-shaped-Earpiece/dp/B01N55UDIO/ref=sr_1_281? (Year: 2016).*

Motorola XPR 7000E Series, aircomm.com, first available date unknown, [online], [site visited May 6, 2022]. Internet URL: <https://www.aircomm.com/mototrbo-portables/xpr7000e> (Year: 2022).*

89FT7154 2-Way Portable Radio . . . External Photos Motorola Solutions, fccid.io, available date Mar. 4, 2022, [online], [site visited May 6, 2022]. Internet URL: <https://fccid.io/AZ489FT7154/External-Photos/External-Photos-5723251> (Year: 2022).*

Kin Hee Woo, et al.: “Handheld Communication Device”, U.S. Appl. No. 29/671,533, filed Nov. 28, 2018, all pages.

* cited by examiner

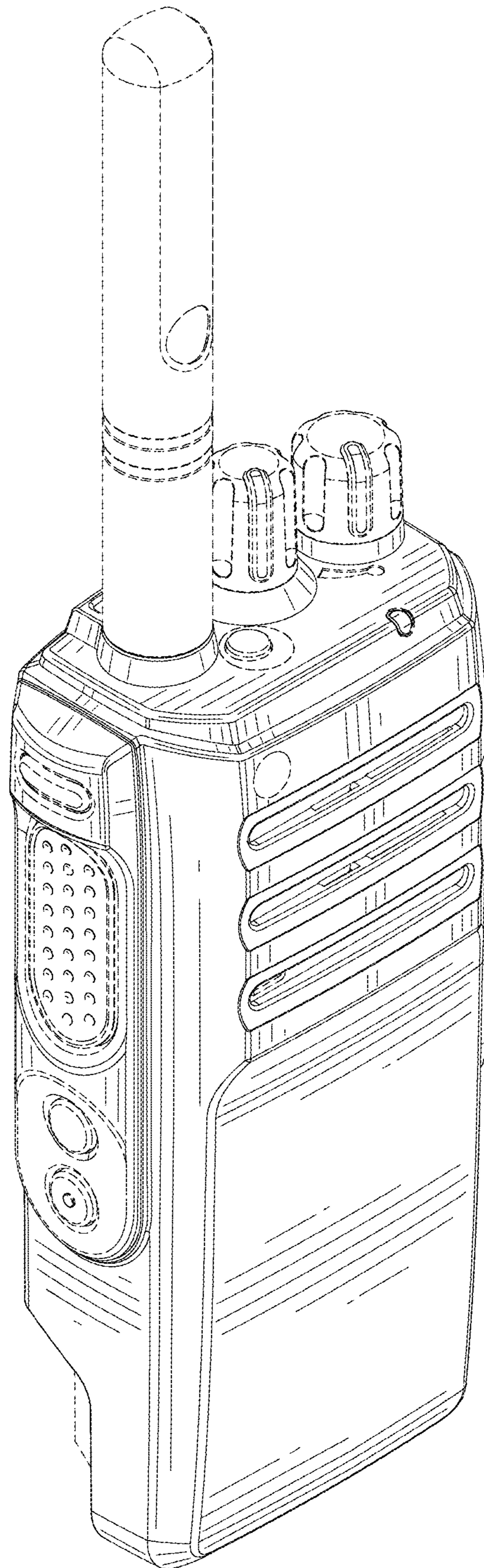


FIG. 1

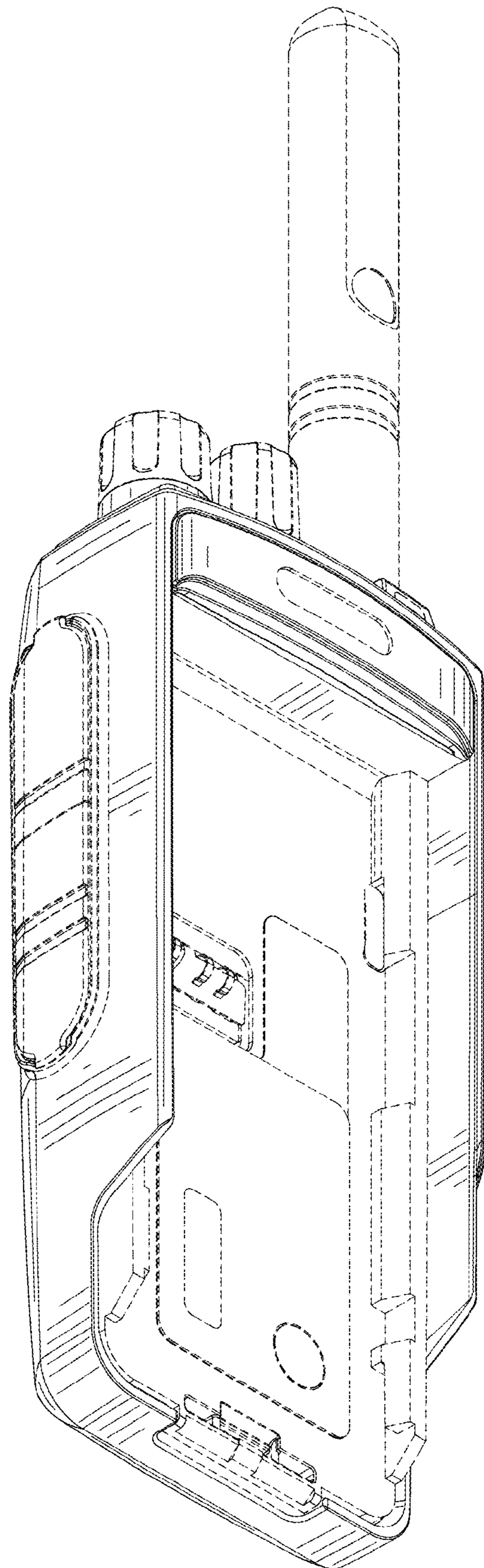


FIG. 2

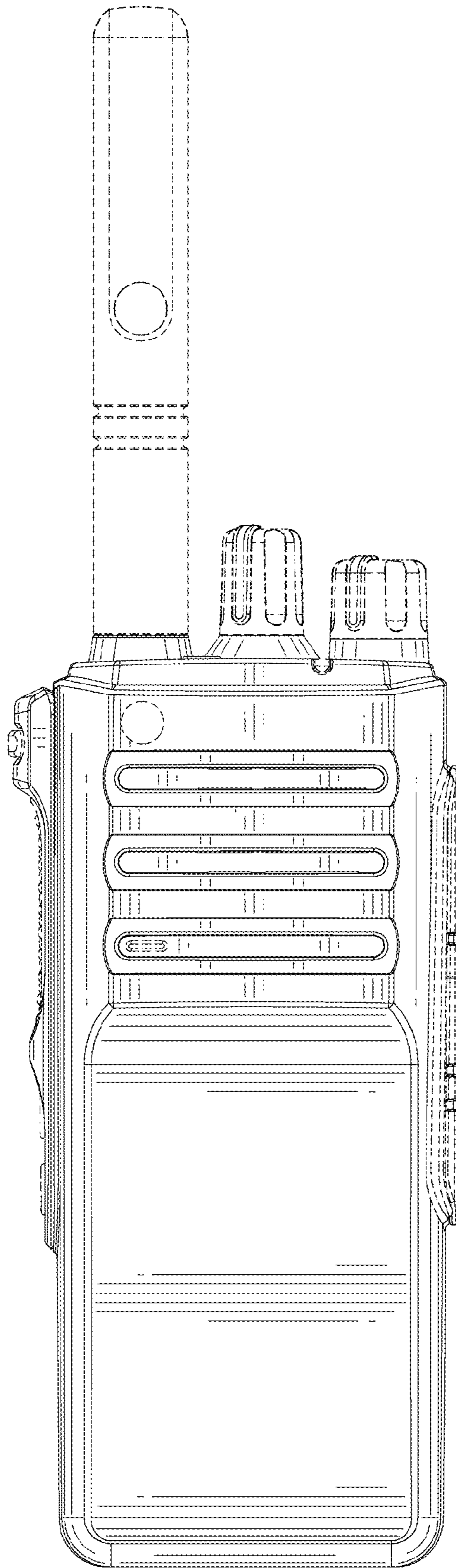


FIG. 3

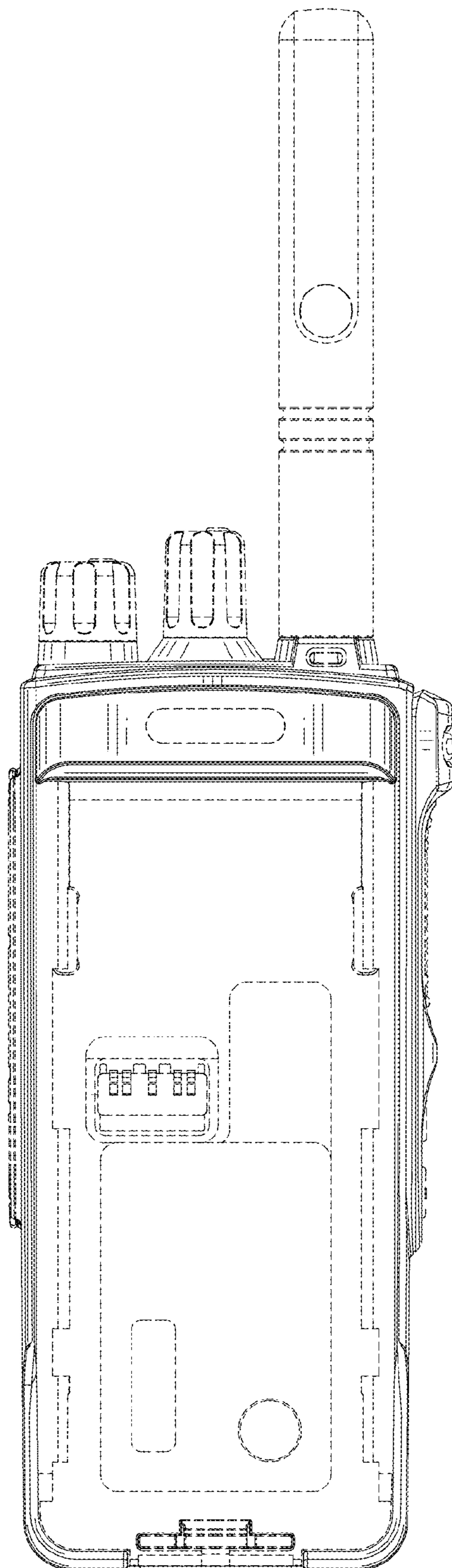


FIG. 4

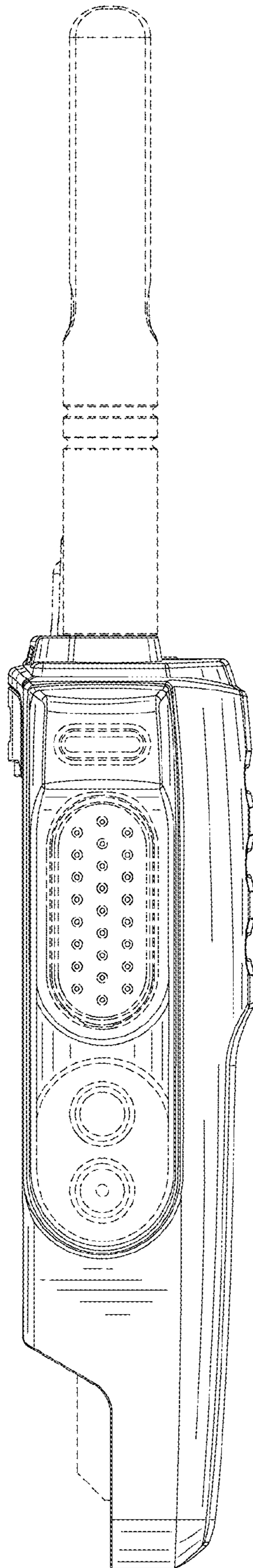


FIG. 5

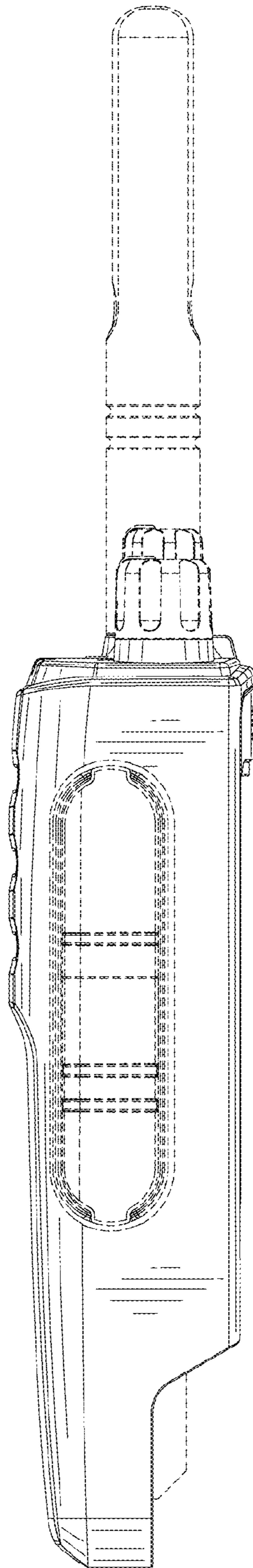


FIG. 6

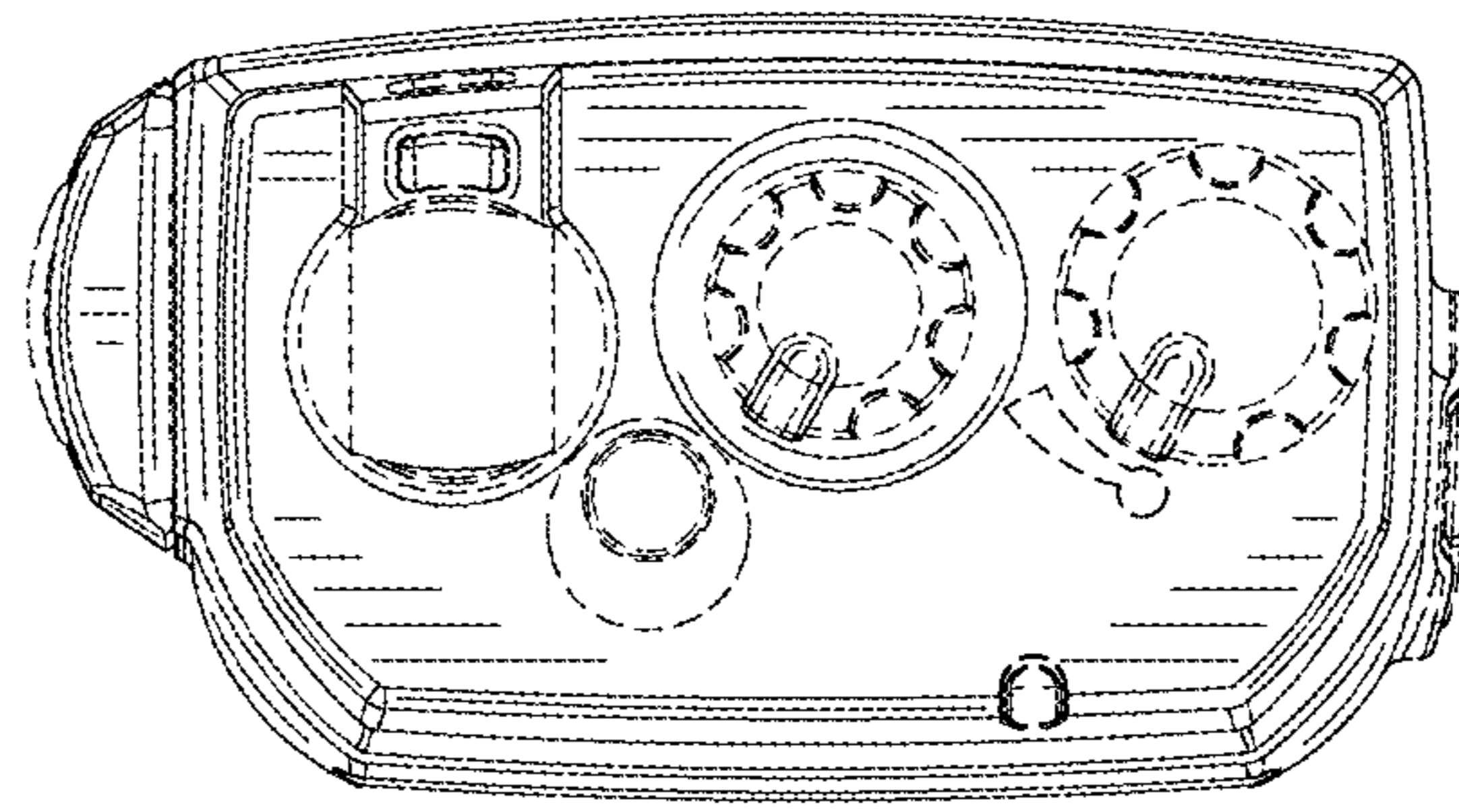


FIG. 7

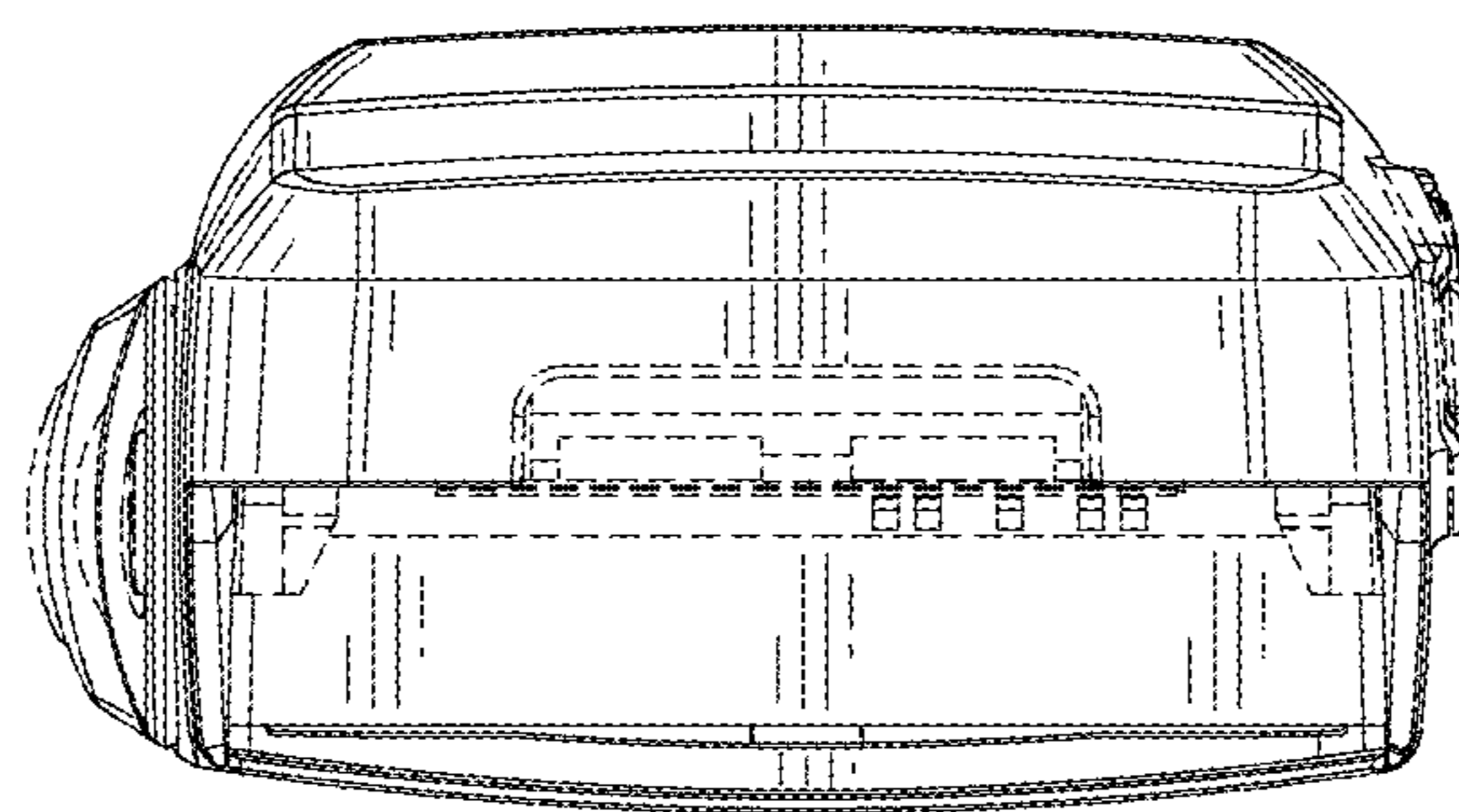


FIG. 8