



US00D958761S

(12) **United States Design Patent** (10) **Patent No.:** **US D958,761 S**  
**Altonen et al.** (45) **Date of Patent:** **\*\* Jul. 26, 2022**

(54) **CONTROL DEVICE**

FOREIGN PATENT DOCUMENTS

(71) Applicant: **Lutron Technology Company LLC**,  
Coopersburg, PA (US)

EM 002144899-0001 2/2013  
EM 002144899-0002 2/2013

(Continued)

(72) Inventors: **Gregory Altonen**, Easton, PA (US);  
**Chris Dimberg**, Easton, PA (US);  
**Jason C. Killo**, Emmaus, PA (US);  
**Matthew Philip McDonald**,  
Phoenixville, PA (US); **Gregory M.**  
**Snyder**, Germansville, PA (US); **Daniel**  
**L. Twaddell**, Allentown, PA (US)

OTHER PUBLICATIONS

Eco4life Smart Wi-Fi Wireless Wall Light Switch; advertised on Amazon, date first available May 21, 2018; 2pgs.; [https://www.amazon.com/Wireless-Switch-control-Required-Control/dp/B07D6WKQJV/ref=sr\\_1\\_5?dchild=1&keywords=eco4life+by+Sonicgrace+WiFi+Smart+Wall+Switch.&qid=1614207527&sr=8-5.\\*](https://www.amazon.com/Wireless-Switch-control-Required-Control/dp/B07D6WKQJV/ref=sr_1_5?dchild=1&keywords=eco4life+by+Sonicgrace+WiFi+Smart+Wall+Switch.&qid=1614207527&sr=8-5.*)

(Continued)

(73) Assignee: **Lutron Technology Company LLC**,  
Coopersburg, PA (US)

(\*\*) Term: **15 Years**

*Primary Examiner* — Selina Sikder

(21) Appl. No.: **29/740,579**

(74) *Attorney, Agent, or Firm* — Saidman DesignLaw Group, LLC

(22) Filed: **Jul. 6, 2020**

(51) **LOC (13) Cl.** ..... **13-03**

(57) **CLAIM**

(52) **U.S. Cl.**  
USPC ..... **D13/169**

The ornamental design for a control device, as shown and described.

(58) **Field of Classification Search**

**DESCRIPTION**

USPC ..... D13/162, 164, 169, 171, 174, 177  
CPC ..... H01H 9/02; H01H 9/0271; H01H 9/16;  
H01H 9/18; H01H 9/161; H01H 9/181;  
H01H 9/182; H01H 13/04; H01H 13/14;  
H01H 13/20; H01H 13/30; H01H 19/635;  
H01H 23/00; H01H 23/02; H01H 23/025;  
H01H 23/04; H01H 23/145; H01H  
23/148; H01H 23/205; H01H 23/30;  
H01H 51/088; H01H 83/02; H01H 83/04;  
H01H 83/144; H05B 33/0803; H05B  
33/0863; H05B 39/02; H05B 39/04;  
H05B 39/085; H05B

(Continued)

FIG. 1 is a front perspective view of control device showing our new design;  
FIG. 2 is a front view thereof;  
FIG. 3 is a left side view thereof;  
FIG. 4 is a right side view thereof;  
FIG. 5 is a top view thereof;  
FIG. 6 is a bottom view thereof;  
FIG. 7 is a front perspective view of a second embodiment thereof;  
FIG. 8 is a front view thereof;  
FIG. 9 is a left side view thereof;  
FIG. 10 is a right side view thereof;  
FIG. 11 is a top view thereof; and,  
FIG. 12 is a bottom view thereof.  
The dashed broken lines illustrate structure or features which form no part of the claimed design.

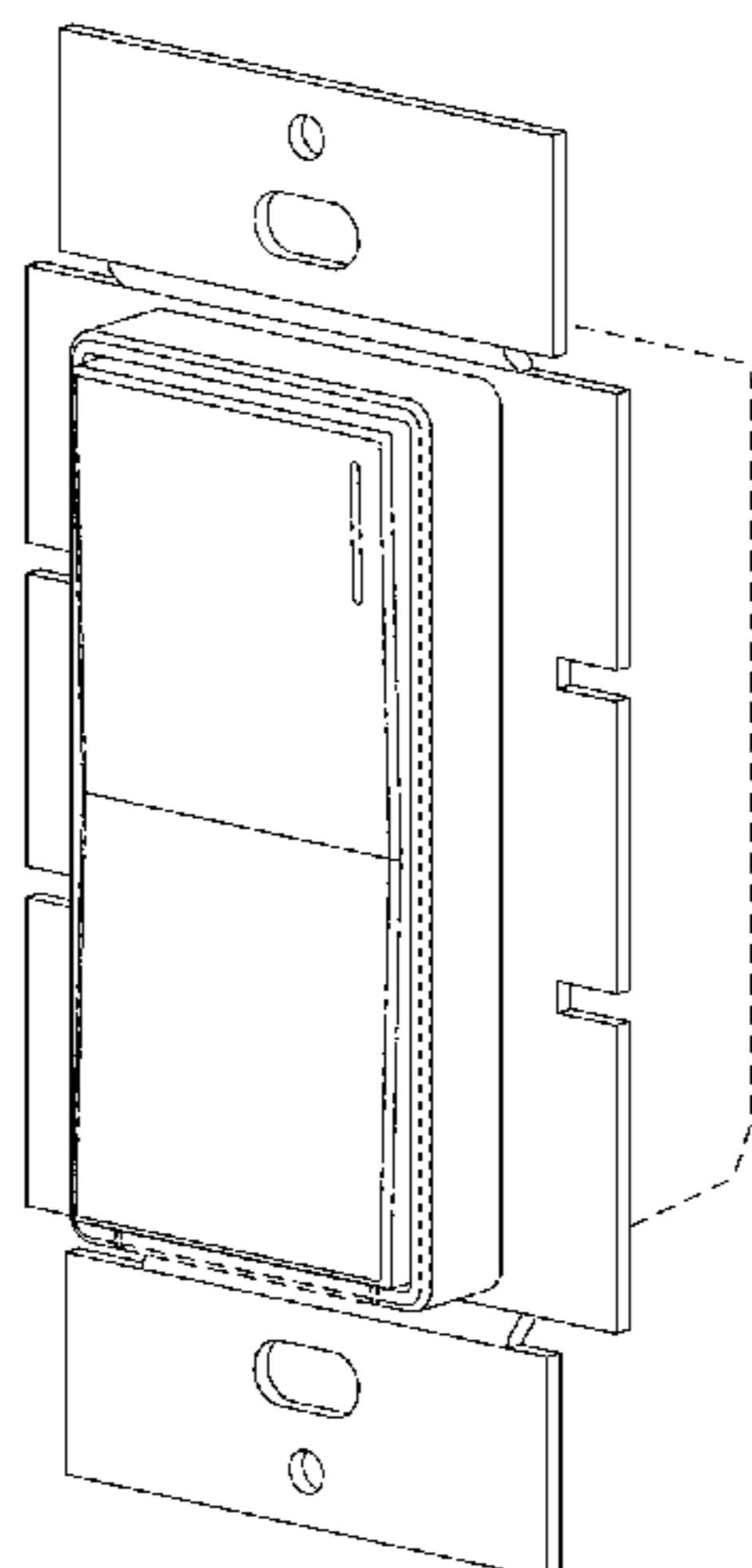
(56) **References Cited**

U.S. PATENT DOCUMENTS

D169,574 S 5/1953 Bordner  
D208,025 S 7/1967 Weitzman

(Continued)

**1 Claim, 8 Drawing Sheets**



(58) **Field of Classification Search**  
 CPC .. 39/086; H05B 39/088; H01R 13/713; H01R  
 13/7135  
 See application file for complete search history.

(56) **References Cited**

U.S. PATENT DOCUMENTS

D282,462	S	2/1986	Hart	
D307,578	S	5/1990	Carson et al.	
D315,145	S	3/1991	Pearlman et al.	
5,696,350	A	12/1997	Anker	
5,895,888	A	4/1999	Arenas et al.	
D415,472	S	10/1999	Kelso et al.	
6,005,308	A	12/1999	Bryde et al.	
D436,934	S	1/2001	Hayduke et al.	
D518,794	S	4/2006	Hedderich et al.	
7,190,125	B2 *	3/2007	McDonough .....	H05B 39/044 315/291
7,365,282	B2 *	4/2008	Altonen .....	H01H 15/102 200/329
D572,202	S	7/2008	Jacoby et al.	
D583,335	S	12/2008	Ni	
D607,849	S	1/2010	Samuels et al.	
7,667,155	B1	2/2010	Ni et al.	
7,714,790	B1 *	5/2010	Feldstein .....	H01Q 1/22 343/702
7,777,145	B2 *	8/2010	Burrell .....	H05B 47/185 200/330
D649,122	S	11/2011	Jacoby et al.	
D692,398	S	10/2013	Felegy, Jr. et al.	
D694,197	S	11/2013	Felegy, Jr. et al.	
D694,716	S	12/2013	Felegy, Jr. et al.	
8,710,763	B2 *	4/2014	Hakkarainen .....	H05B 39/085 315/292
D733,075	S	6/2015	Junko et al.	
D740,766	S	10/2015	Falkenberg et al.	
D777,685	S	1/2017	Tannous et al.	
D787,451	S	5/2017	Tress et al.	
D797,061	S	9/2017	Lacey	
9,838,008	B2	12/2017	Lark, Jr. et al.	
D821,985	S	7/2018	Zheng	
D830,977	S	10/2018	Liao et al.	
10,109,181	B2 *	10/2018	Dimberg .....	G06F 3/04847
10,141,144	B2	11/2018	Zhuang et al.	
D852,063	S	6/2019	Ni et al.	
D865,682	S *	11/2019	Dimberg .....	G06F 3/04883 D13/168
D892,065	S *	8/2020	Dimberg .....	H03K 17/96 D13/174
2010/0214756	A1	8/2010	Feldstein	
2012/0292174	A1	11/2012	Mali et al.	

2017/0278383	A1	9/2017	Dimberg et al.	
2017/0278647	A1	9/2017	Dimberg et al.	
2017/0278652	A1	9/2017	Dimberg et al.	
2017/0280533	A1 *	9/2017	Dimberg .....	G01D 5/34
2017/0280534	A1	9/2017	Dimberg et al.	
2017/0352506	A1	12/2017	Dimberg	
2019/0005809	A1	1/2019	Dimberg et al.	
2019/0006129	A1	1/2019	Dimberg et al.	
2019/0019403	A1	1/2019	Dimberg et al.	
2019/0073898	A1	3/2019	Dimberg et al.	
2020/0020490	A1	1/2020	Dimberg et al.	
2020/0037422	A1	1/2020	Shivell	
2021/0022231	A1 *	1/2021	Shivell .....	G05G 1/105

FOREIGN PATENT DOCUMENTS

EM	002144899-0003	2/2013
EM	002144899-0004	2/2013
EM	002144899-0005	2/2013
EM	002144899-0006	2/2013
EM	002144899-0007	2/2013
EM	002144899-0008	2/2013
EM	002144899-0009	2/2013
EM	002144899-0010	2/2013
EM	002144899-0011	2/2013
EM	002144899-0012	2/2013
EM	002144899-0013	2/2013
EM	002144899-0014	2/2013

OTHER PUBLICATIONS

Thinkbee Wireless Light Switch Kit; advertised on Amazon; date first available Jun. 12, 2019; 2 pgs.; [https://www.amazon.com/dp/B07T23NCXP/ref=emc\\_b\\_5\\_i](https://www.amazon.com/dp/B07T23NCXP/ref=emc_b_5_i).\*  
 Leviton Vizia rf+ Catalogue, 2009, 6pgs.\*  
 Smart-Bus 3 Button Switch Panel, 2011; 5 pgs.\*  
 Acuity-Sensor-Switch-nPODM-Series-Spec-Sheet; Mar. 11, 2011; 2 pgs.\*  
 Leviton Manufacturing Co., Inc., Catalog, Vizia RF+, available at least as early 2009 (6 pages).  
 Smart-Bus 3 Button Switch Wall Panel—SB-3BS-EU, <http://www.smarthomebus.com/Smart-Bus-3-Button-Switch-Wall-Panel-SB-3BS-EU-GTIN-UPC-EAN-0610696254283.html>.  
 IDevices LLC, The iDevices Advantage, specification sheet, available at least as early as 2017 (21 pages).  
 U.S. Appl. No. 29/640,715, filed Mar. 16, 2018 (unpublished).  
 U.S. Appl. No. 29/685,060, filed Mar. 26, 2019 (unpublished).  
 U.S. Appl. No. 29/709,969, filed Oct. 18, 2019 (unpublished).  
 U.S. Appl. No. 29/740,765, filed Jul. 7, 2020 (unpublished).

\* cited by examiner

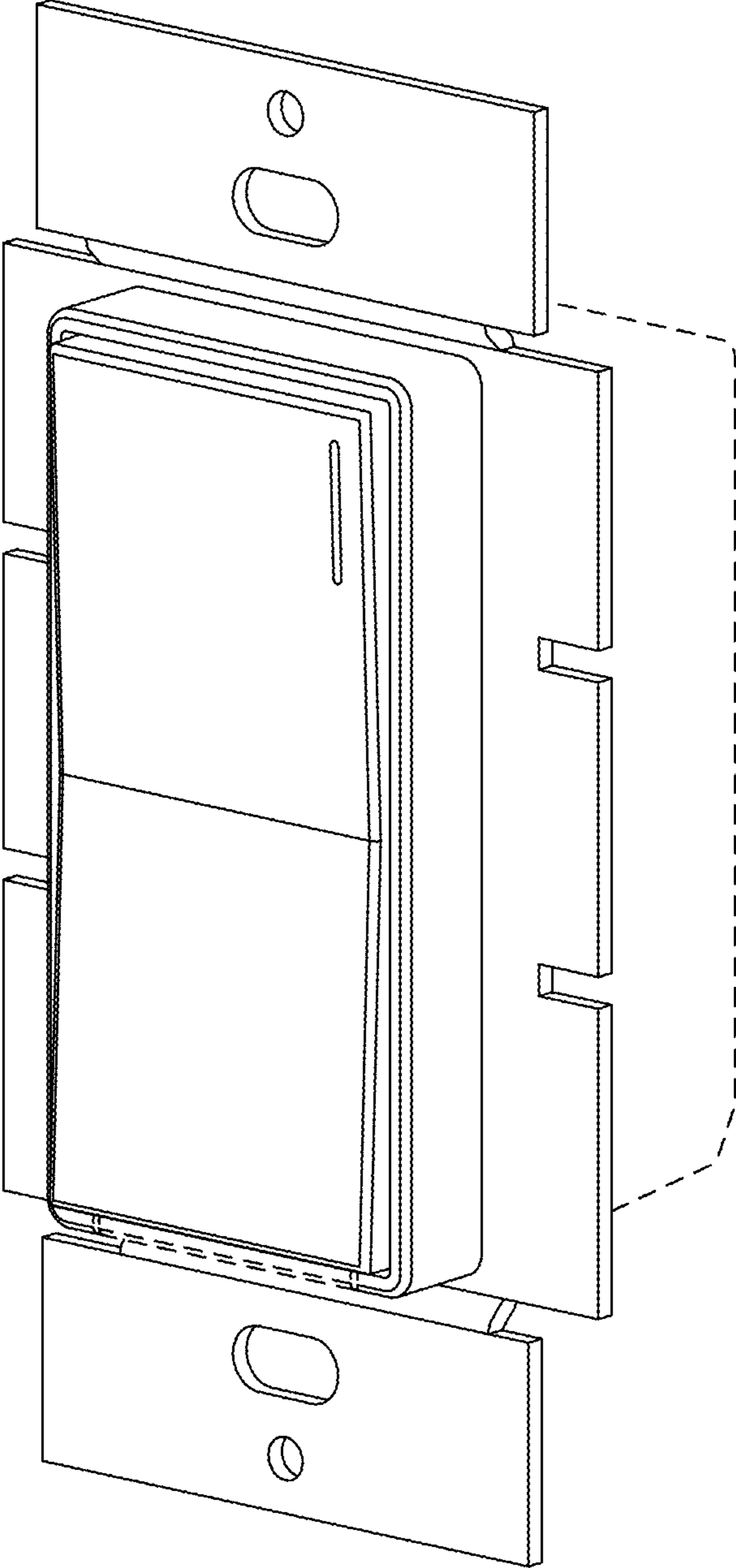


FIG. 1

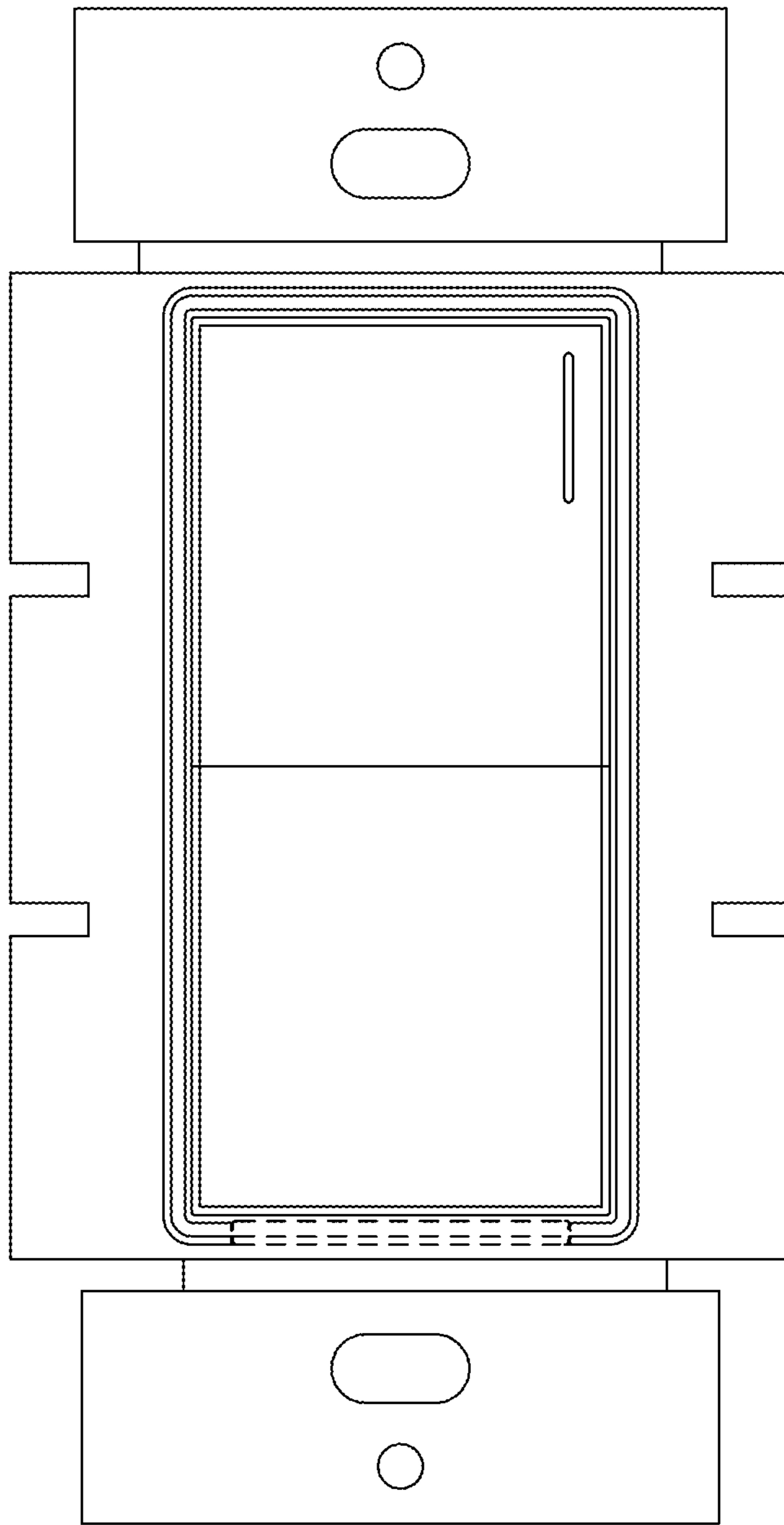


FIG. 2

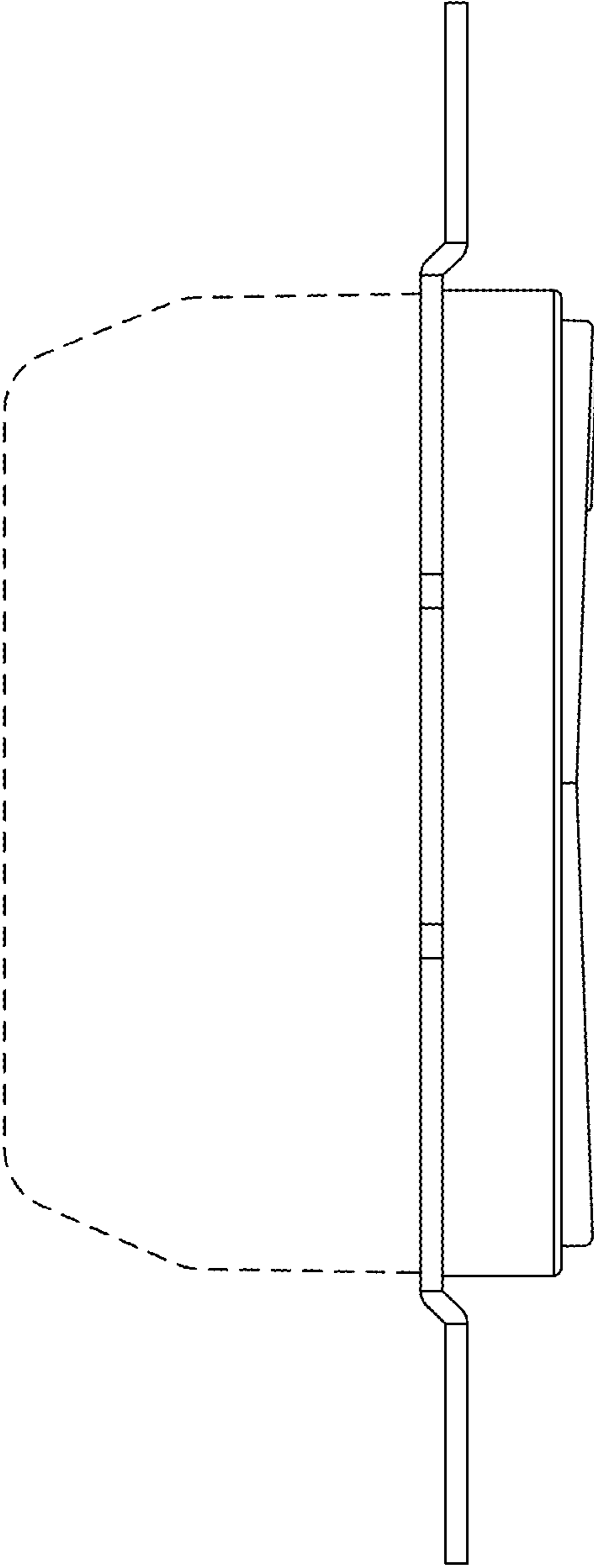


FIG. 3

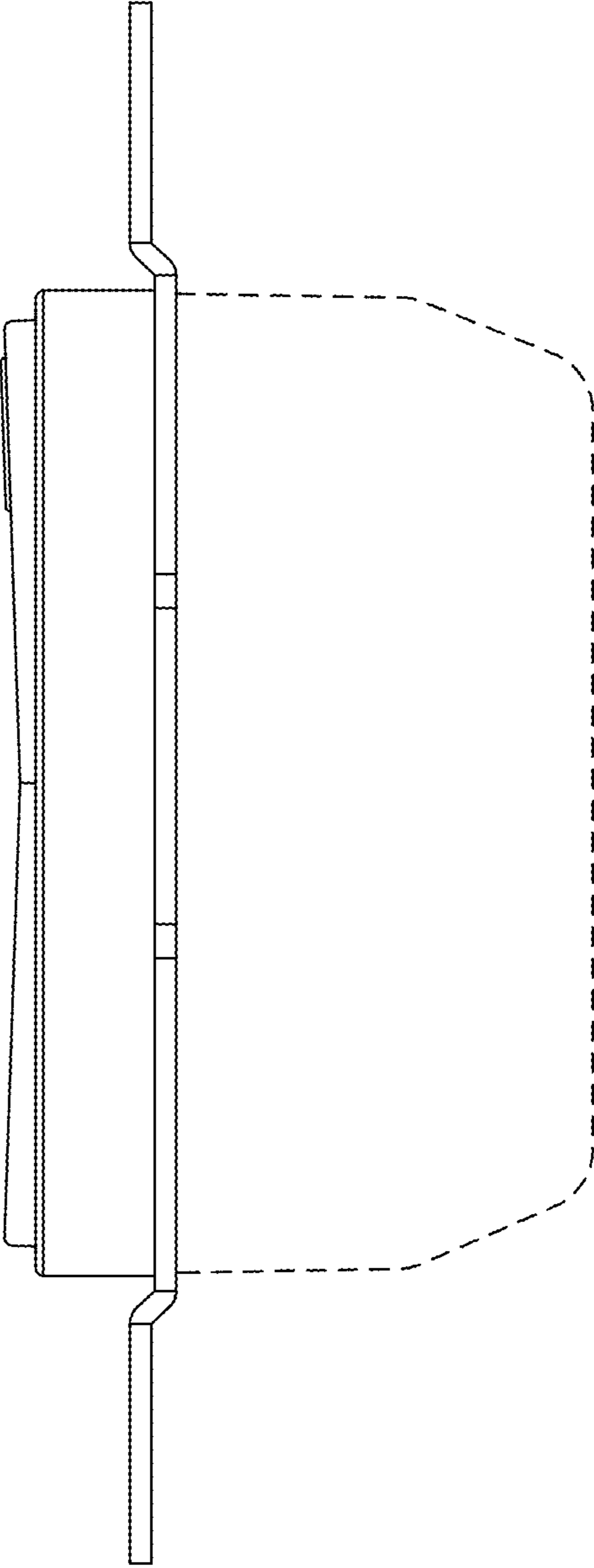


FIG. 4

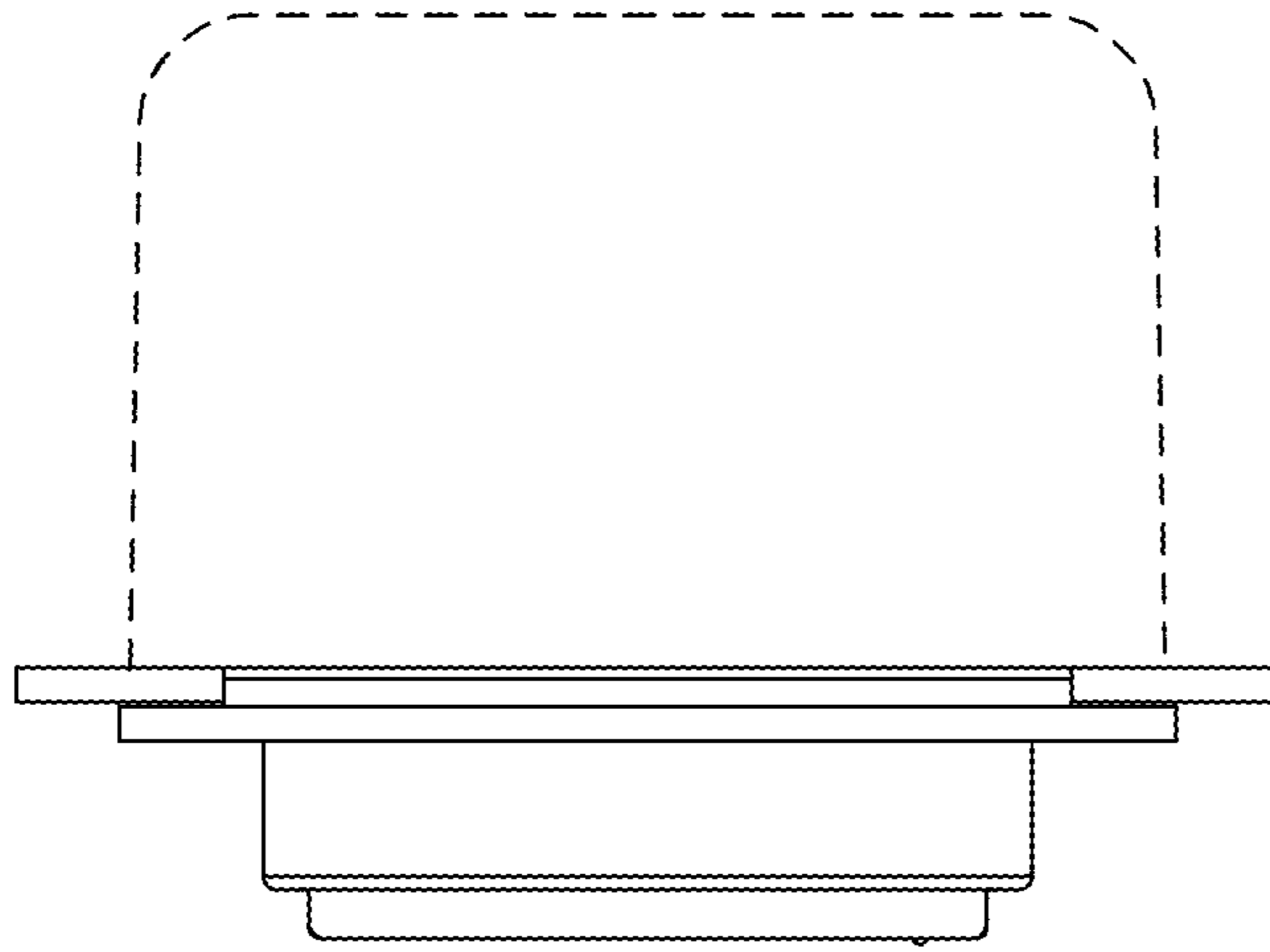


FIG. 5

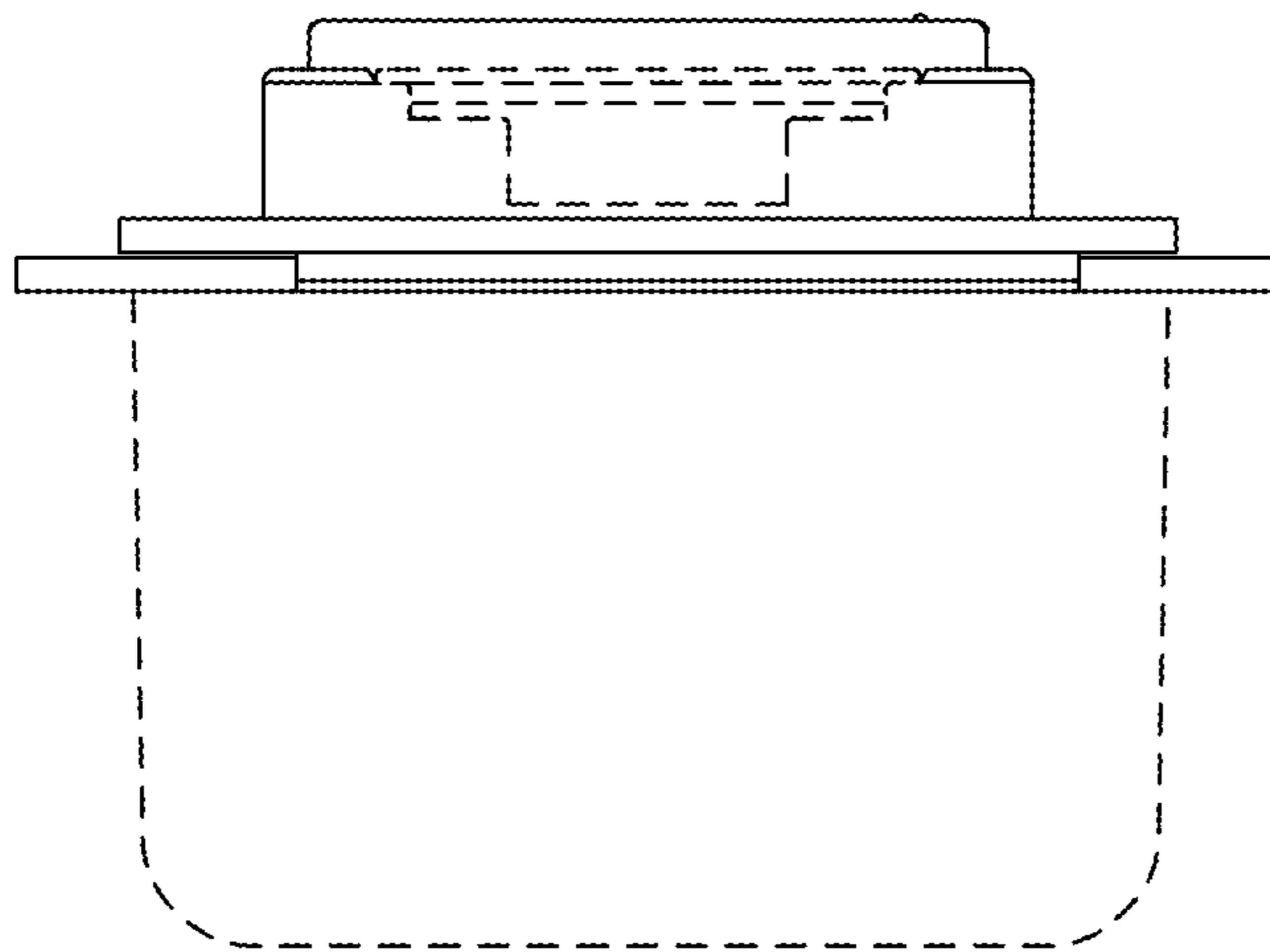


FIG. 6

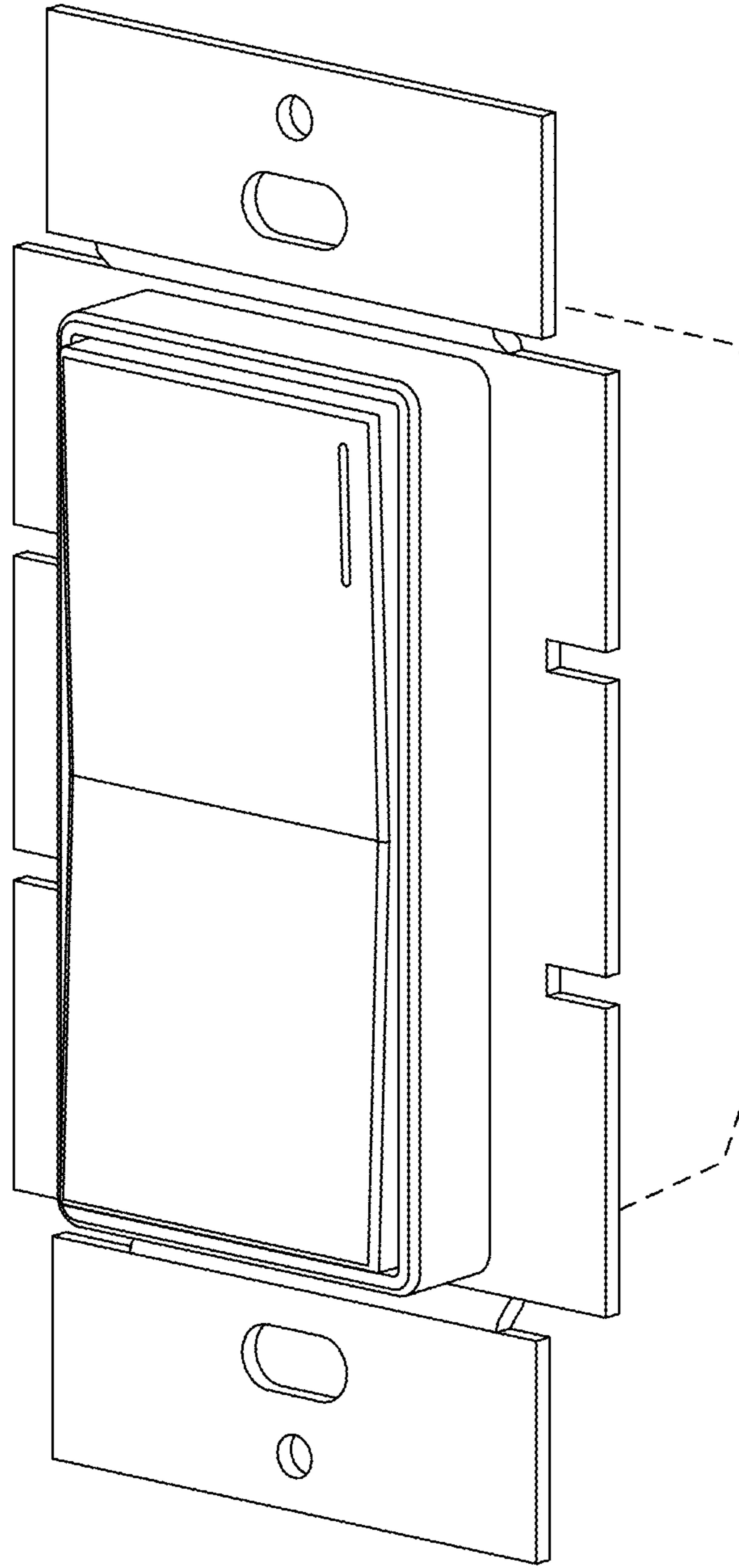


FIG. 7

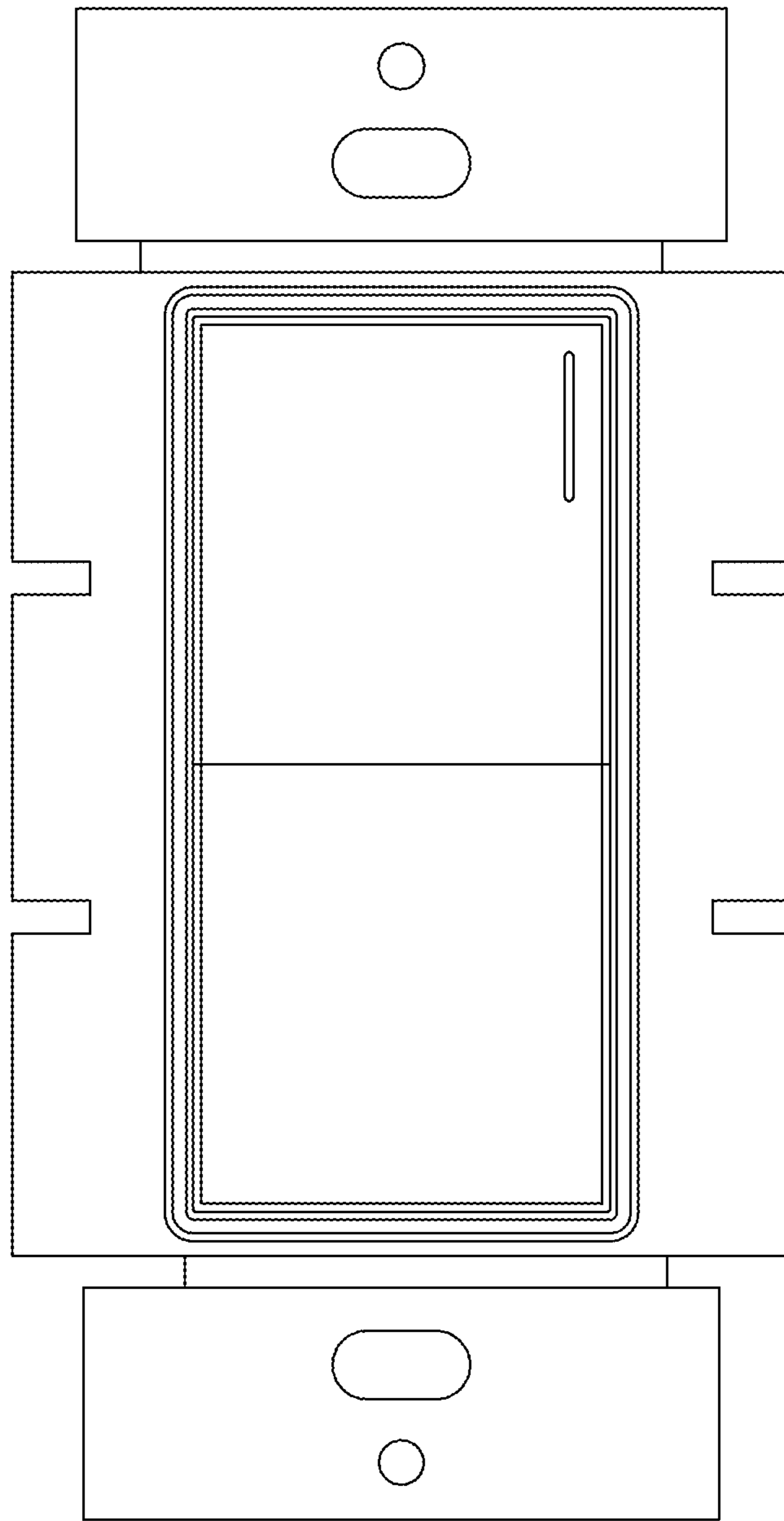


FIG. 8



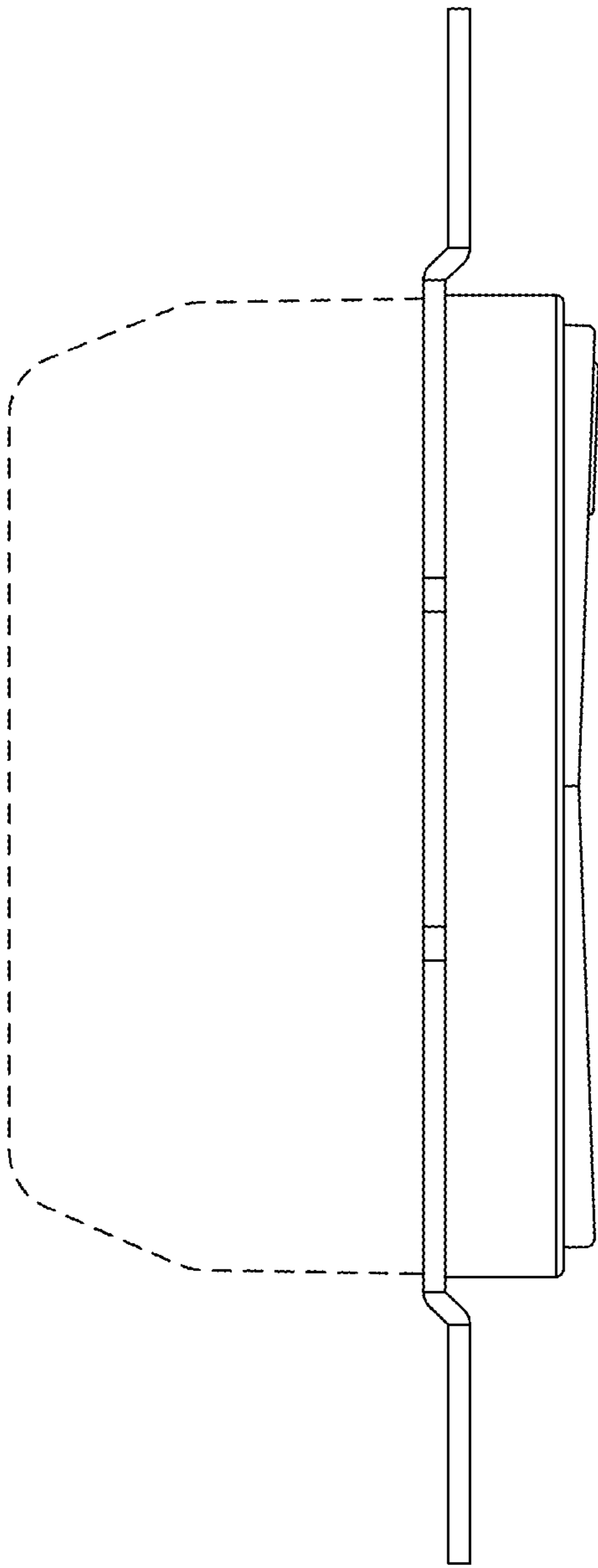


FIG. 9

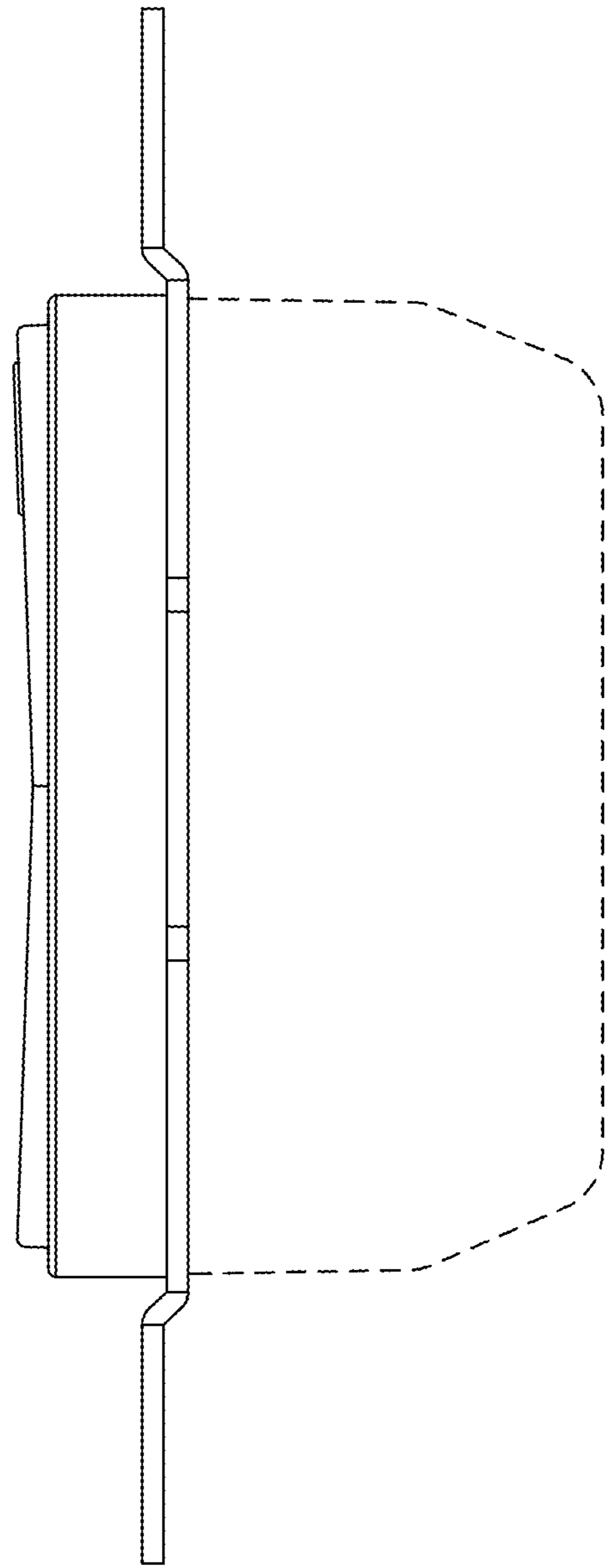


FIG. 10

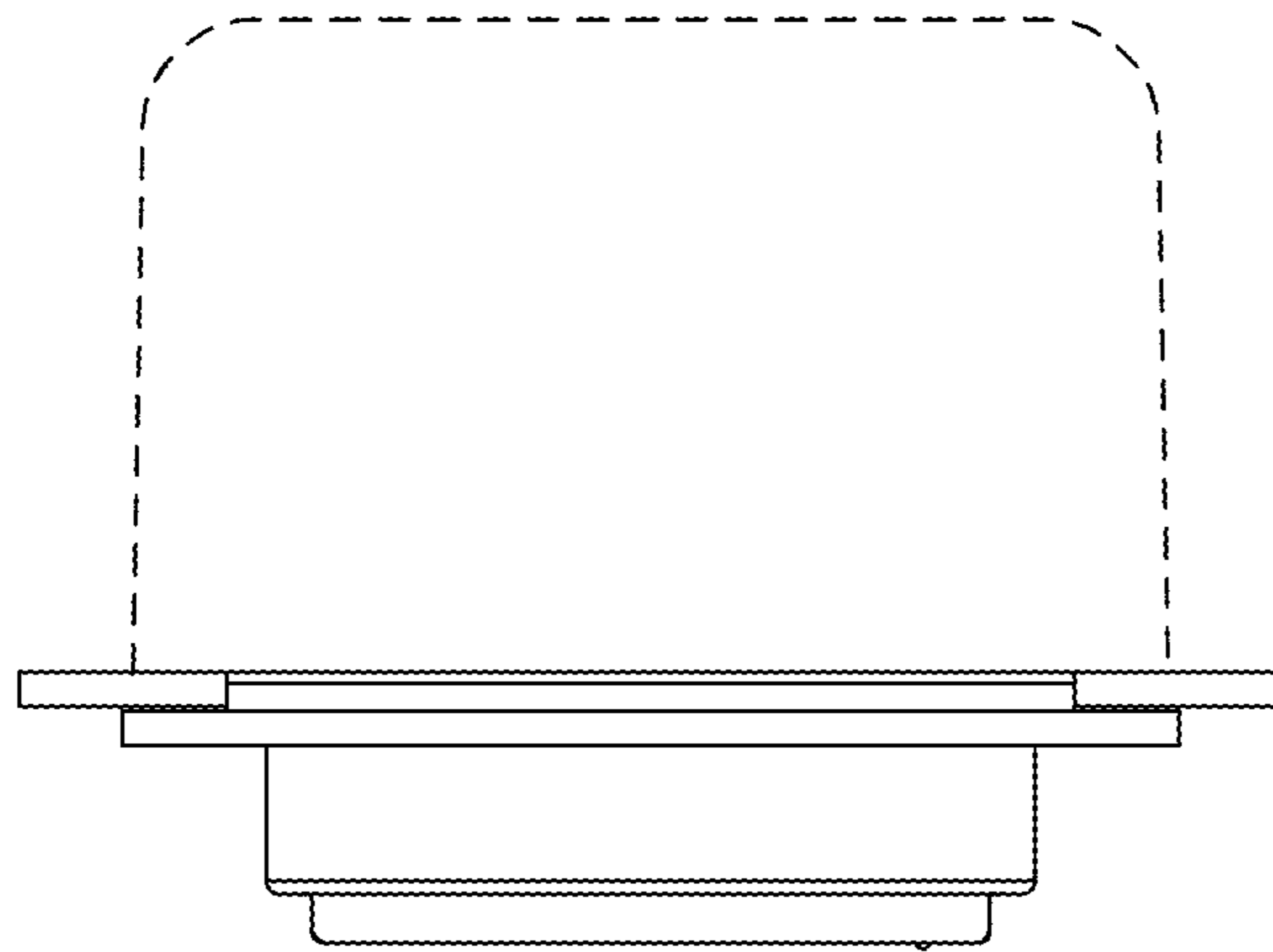


FIG. 11

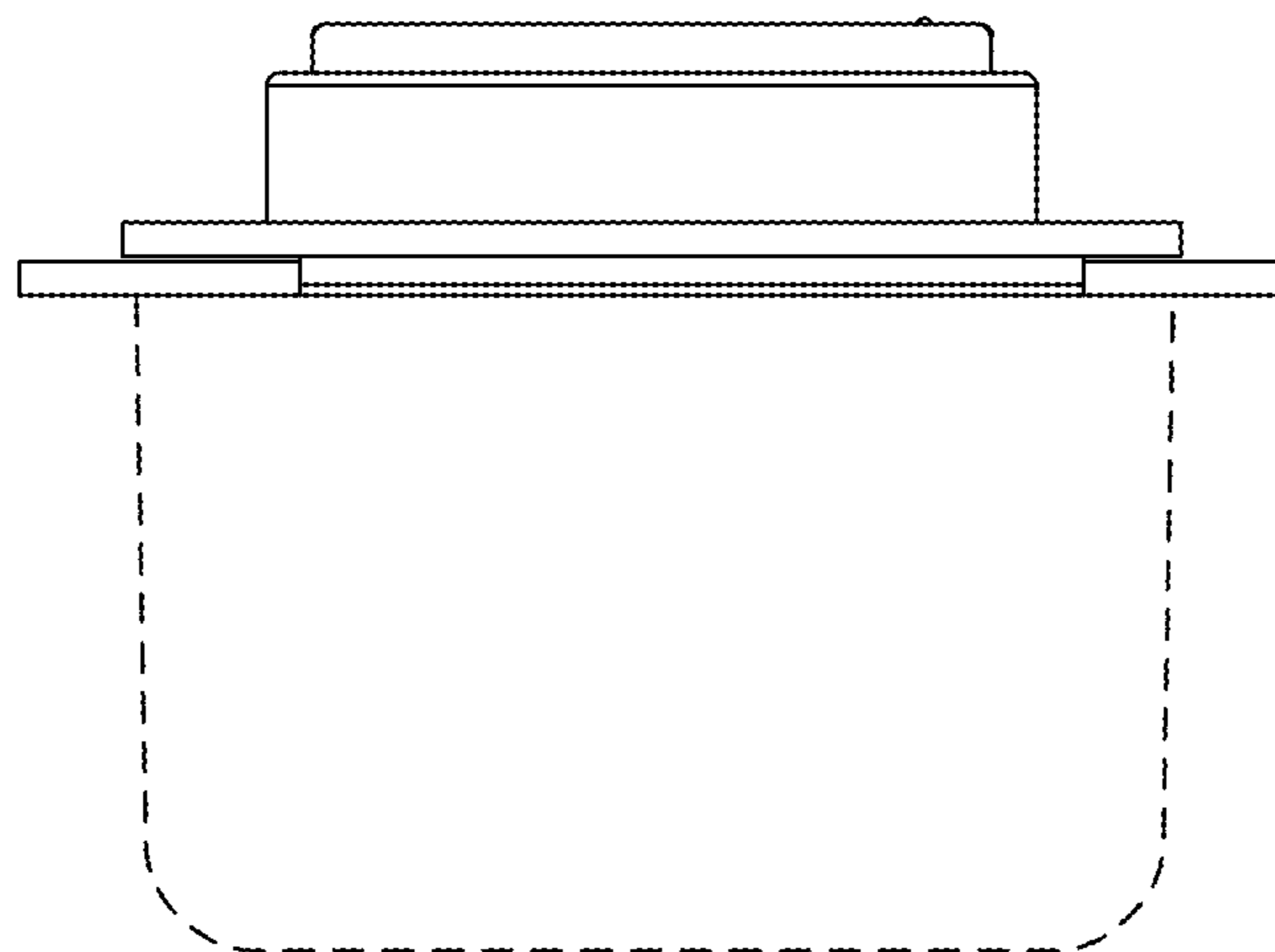


FIG. 12