



US00D958756S

(12) **United States Design Patent**
Lin

(10) **Patent No.:** **US D958,756 S**
(45) **Date of Patent:** **** Jul. 26, 2022**

(54) **SOCKET**

(71) Applicant: **Dongguan Wontravel Electric Co., Ltd.**, Guangdong (CN)

(72) Inventor: **Liangguan Lin**, Guangdong (CN)

(**) Term: **15 Years**

(21) Appl. No.: **29/787,397**

(22) Filed: **Jun. 7, 2021**

(30) **Foreign Application Priority Data**

Jan. 19, 2021 (CN) 202130031815.7

(51) **LOC (13) Cl.** **13-03**

(52) **U.S. Cl.**
USPC **D13/139.8**

(58) **Field of Classification Search**

USPC D13/137.1, 137.2, 137.3, 137.4, 138.1,
D13/138.2, 139.1, 139.2, 139.3, 139.4,
D13/139.5, 139.6, 139.7, 139.8, 103, 107,
D13/108, 110, 119, 123, 133, 145, 152,
D13/153, 154, 156, 158, 160, 162, 177,
D13/184, 199

CPC H01R 13/00; H01R 13/03; H01R 13/04;
H01R 13/10; H01R 13/35; H01R 13/44;
H01R 13/453; H01R 13/4534; H01R
13/502; H01R 13/514; H01R 13/631;
H01R 13/639; H01R 13/6633; H01R
13/6666; H01R 13/6675; H01R 13/7135;
H01R 31/02; H01R 31/06; H01R 31/065

See application file for complete search history.

(56) **References Cited**

U.S. PATENT DOCUMENTS

D871,344 S * 12/2019 Lyu D13/139.8
D878,299 S * 3/2020 Lyu D13/139.8
D878,300 S * 3/2020 Lyu D13/139.8

D881,821 S * 4/2020 Lyu D13/139.8
D883,934 S * 5/2020 Yu D13/139.8
D885,345 S * 5/2020 Chen D13/139.8

(Continued)

FOREIGN PATENT DOCUMENTS

GB 6090783 * 5/2020
GB 6097887 * 8/2020

(Continued)

OTHER PUBLICATIONS

“HANDSONIC Power Strip, Mountable Flat Plug Extension Cord with 4 Outlets, 3 USB-A, 1 USB-C, 5 ft Cord, Compact Size Charging Station for Home, Office, Dorm Essentials, Desktop, Travel and Cruise Ship”, first available Aug. 7, 2020. Amazon.com [https://www.amazon.com/dp/B08FDBM2FK] (Year: 2020).*

(Continued)

Primary Examiner — Rosemary K Tarcza

Assistant Examiner — Seth David Kumpf

(74) *Attorney, Agent, or Firm* — Prakash Nama; Global IP Services, PLLC

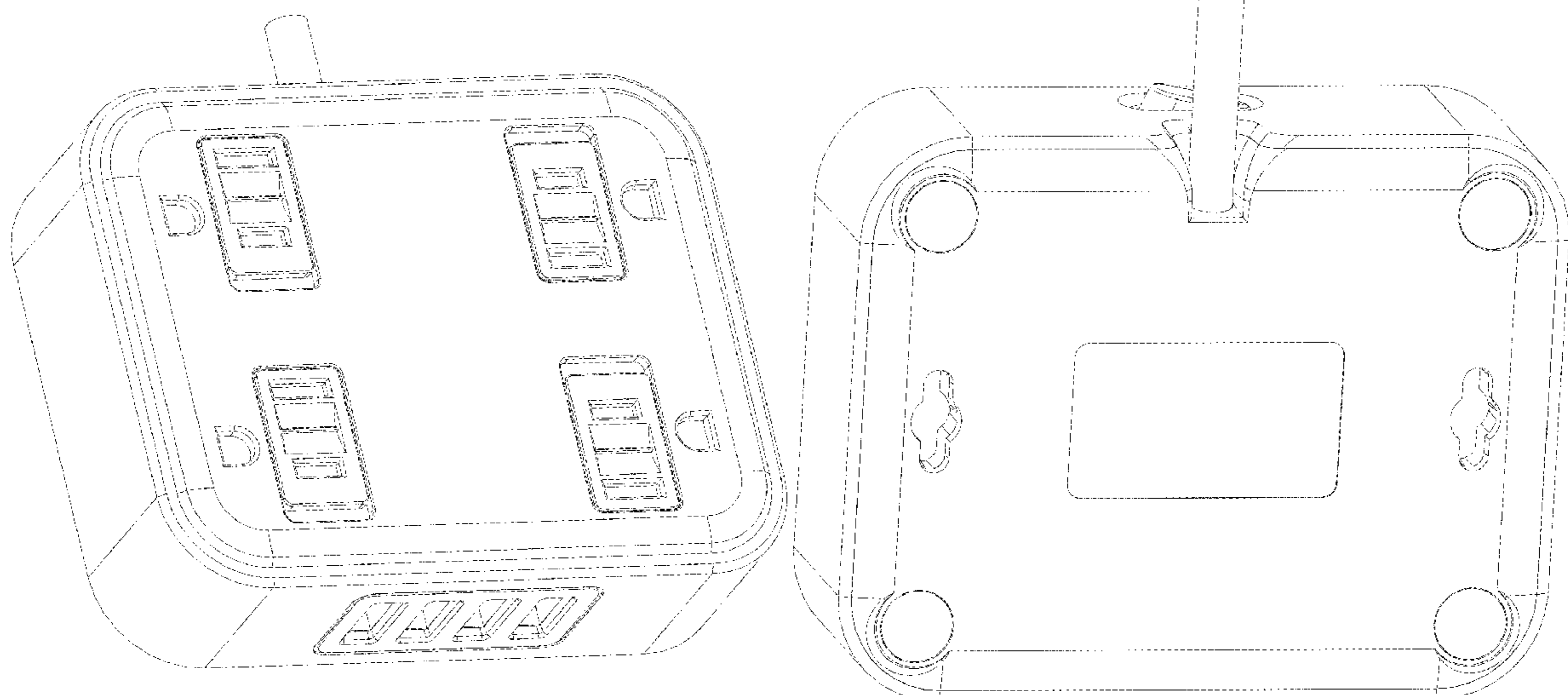
(57) **CLAIM**

The ornamental design for a socket, as shown and described.

DESCRIPTION

FIG. 1 is a front elevational view of a socket showing my new design;
FIG. 2 is a rear elevational view thereof;
FIG. 3 is a left side view thereof;
FIG. 4 is a right side view thereof;
FIG. 5 is a top plan view thereof;
FIG. 6 is a bottom plan view thereof;
FIG. 7 is a perspective view thereof;
FIG. 8 is a second perspective view thereof; and,
FIG. 9 is a third perspective view thereof.
The broken lines shown in the drawings illustrate portions of the socket that form no part of the claimed design.

1 Claim, 8 Drawing Sheets



(56)

References Cited

U.S. PATENT DOCUMENTS

D900,749 S * 11/2020 Bao D13/137.2
D903,600 S * 12/2020 Tseng D13/137.2
D916,028 S * 4/2021 Yu D13/139.8
D922,953 S * 6/2021 Mei D13/139.8
D922,954 S * 6/2021 Mei D13/139.8
D930,946 S * 9/2021 Chen D1/100

FOREIGN PATENT DOCUMENTS

GB 6104879 * 10/2020
GB 6115171 * 1/2021
GB 6127075 * 3/2021

OTHER PUBLICATIONS

“Power Strip with 3 USB Ports, TESSAN 5 ft Extension Cord Flat Plug with 4 Outlets, Overload Protection Indoor Desk Charging Station, Mountable Compact for Travel, Cruise Ship, and Dorm Essentials”, first available Oct. 30, 2019. Amazon.com [<https://www.amazon.com/dp/B07ZRDGF6Y>] (Year: 2019).*

“Power Strip with USB Ports, KOOPER Surge Protector Flat Plug with 4 Widely Spaced Outlets 4 USB Charger 4.5A, Wall Mountable 4.5 FT Extension Cord Compact for Travel Desk Home Dorm Room Essentials”, first available Sep. 24, 2021. Amazon.com [<https://www.amazon.com/dp/B09D7L5L9W>] (Year: 2021).*

“Surge Protector Power Strip—8 Widely Outlets with 4 USB Charging Ports, 3 Side Outlet Extender with 5Ft Braided Extension Cord, Flat Plug, Wall Mount, Desk USB Charging Station for Home Office ETL”, first available May 31, 2021. Amazon.com [<https://www.amazon.com/dp/B092J8LPWR>] (Year: 2021).*

* cited by examiner



FIG. 1

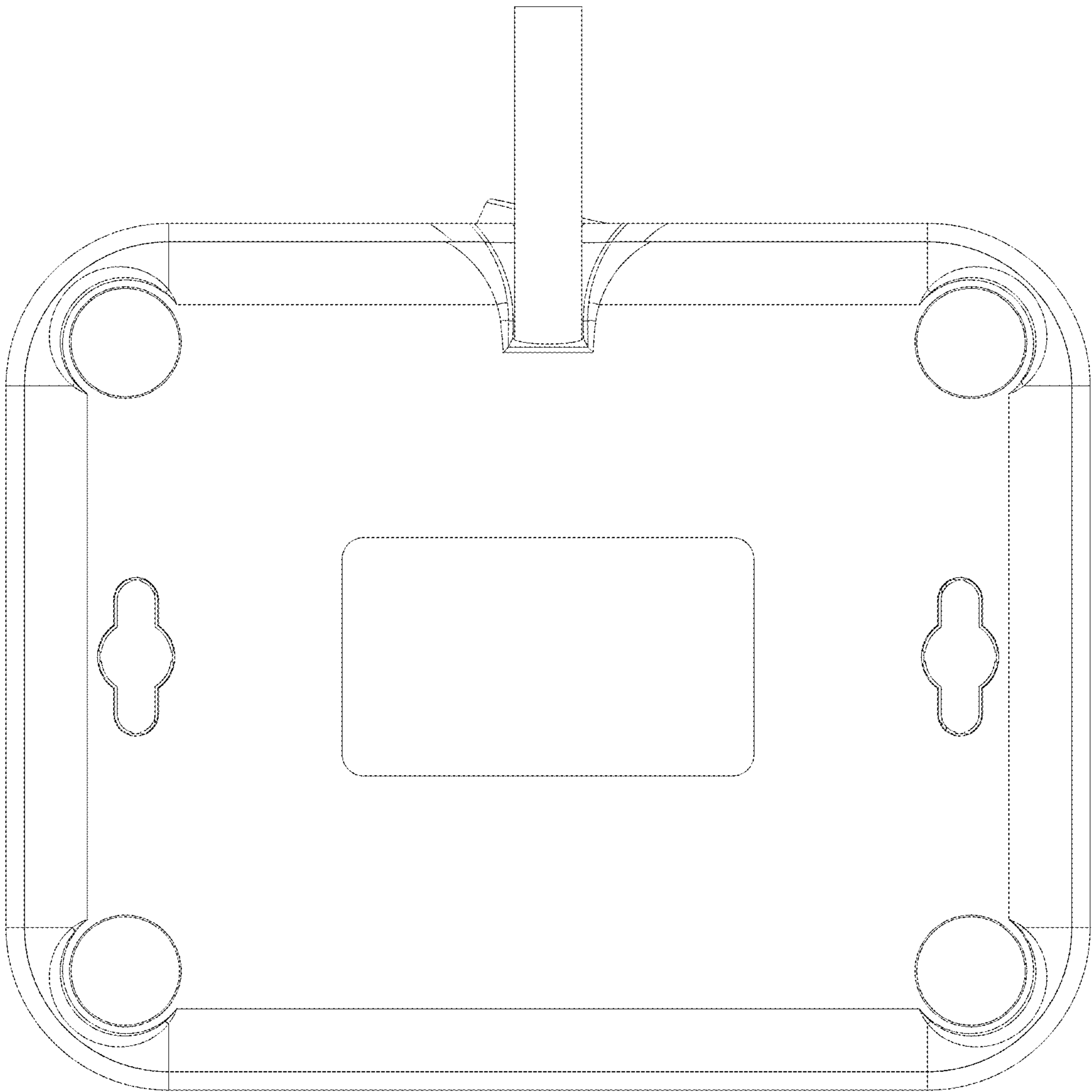


FIG. 2

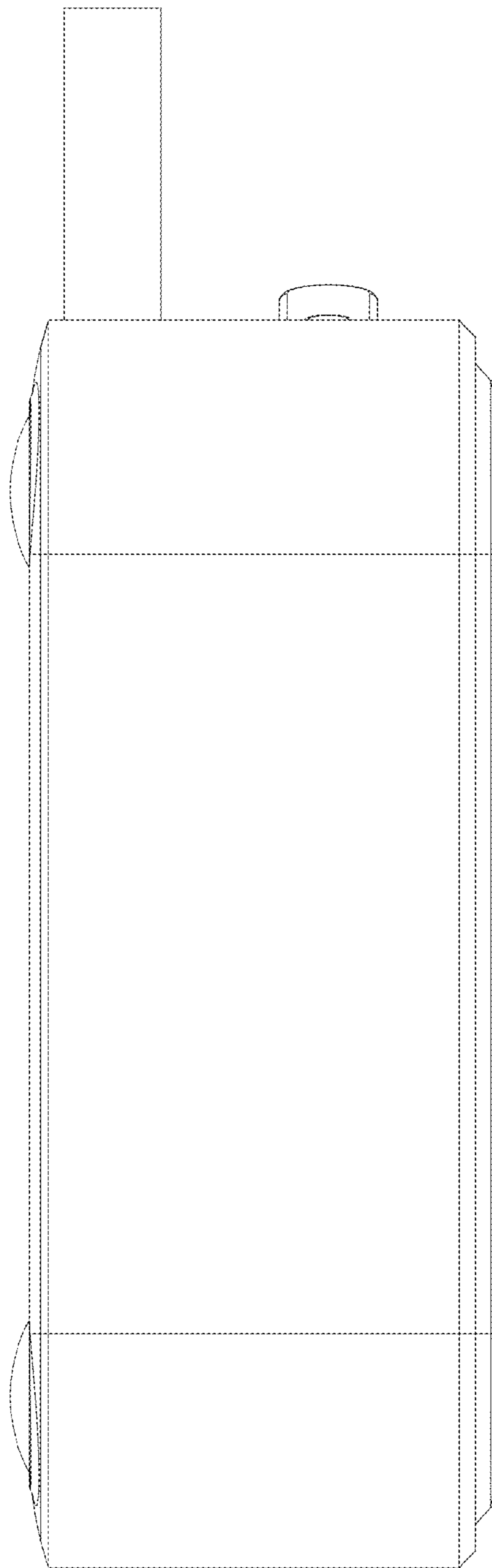


FIG. 3

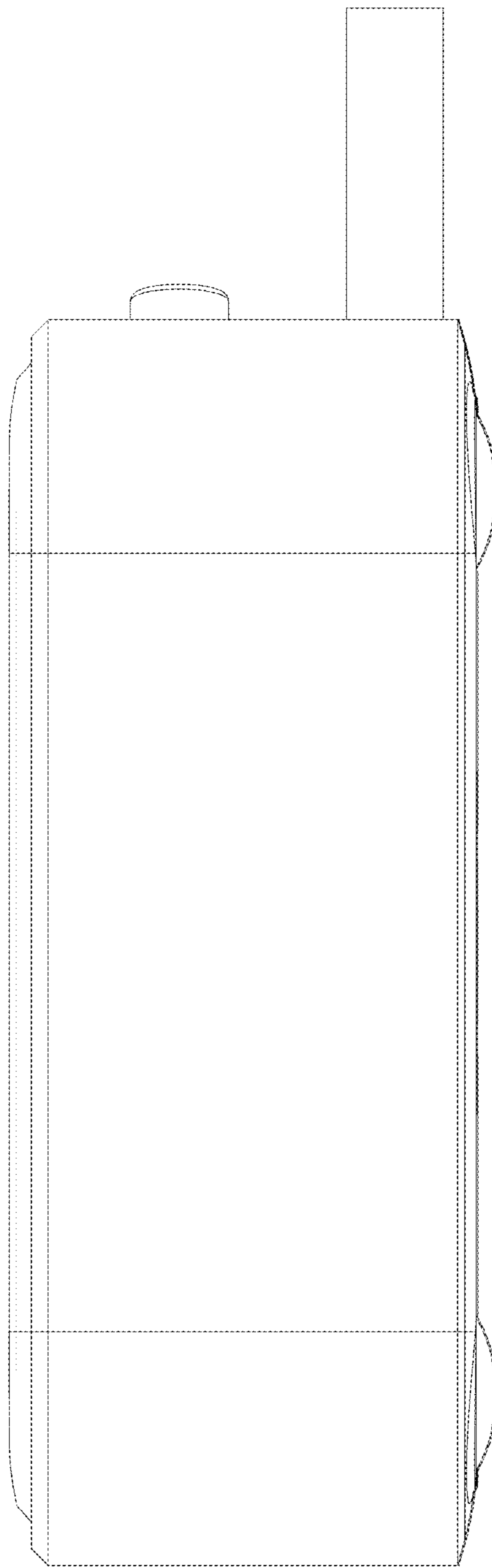


FIG. 4

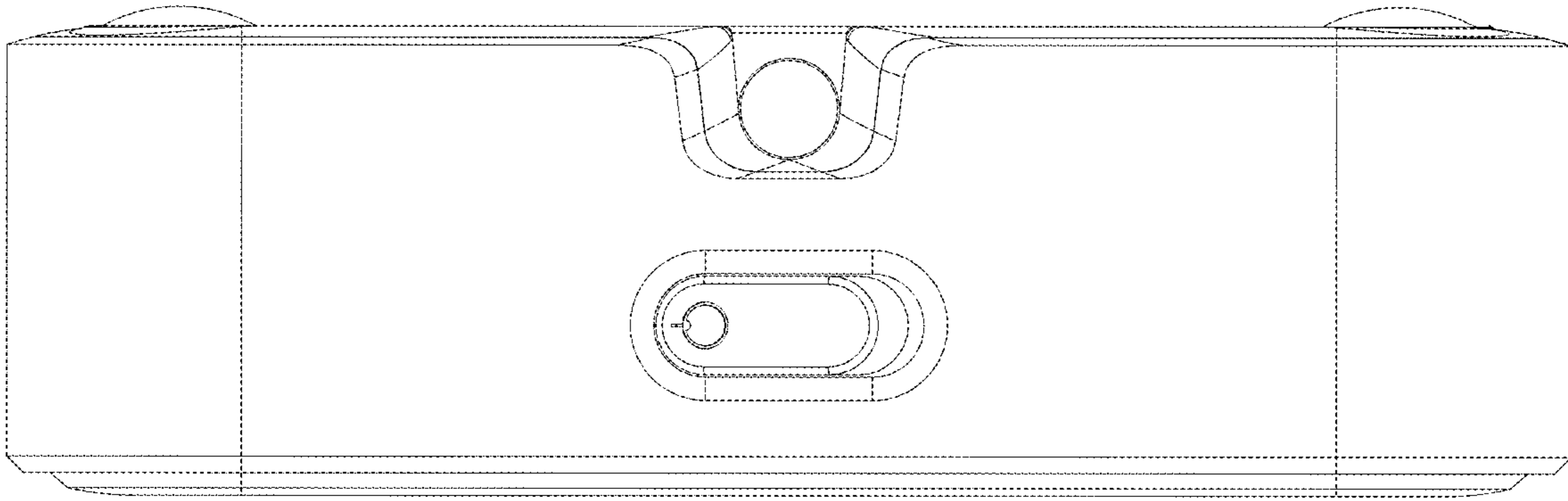


FIG. 5

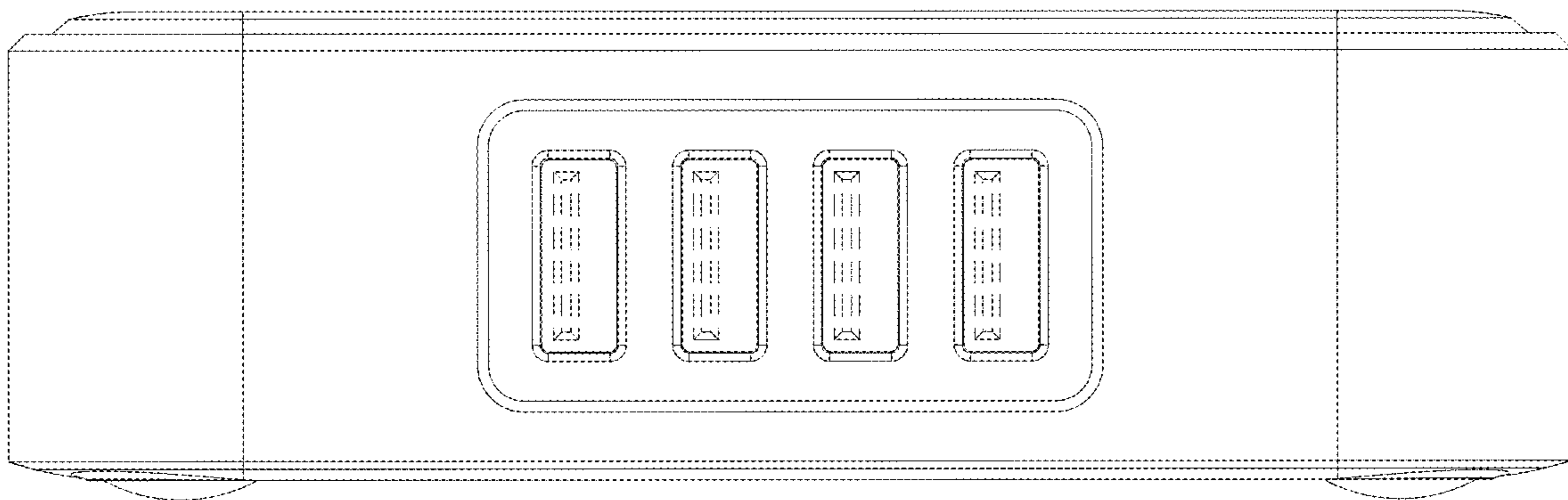


FIG. 6

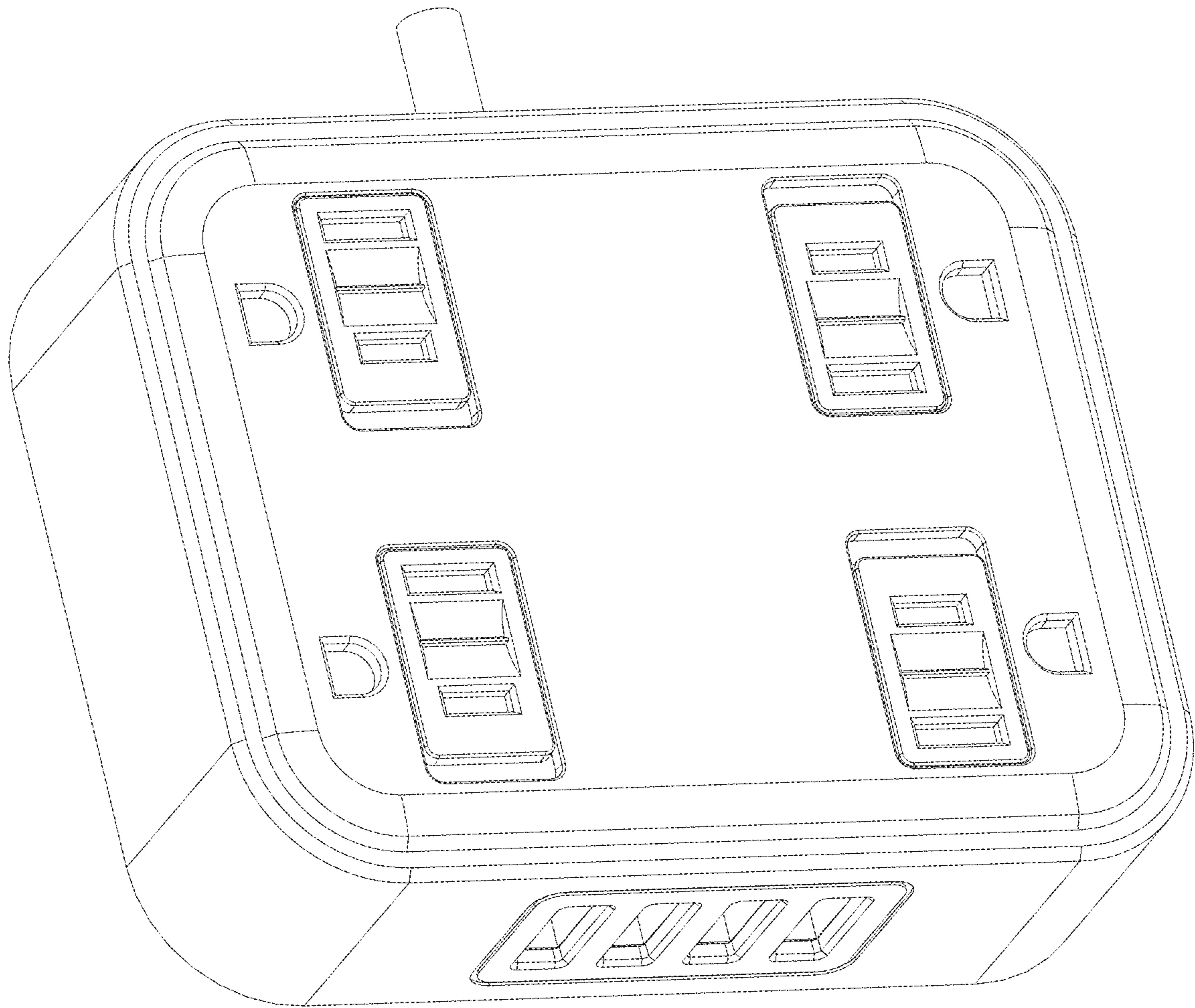


FIG. 7

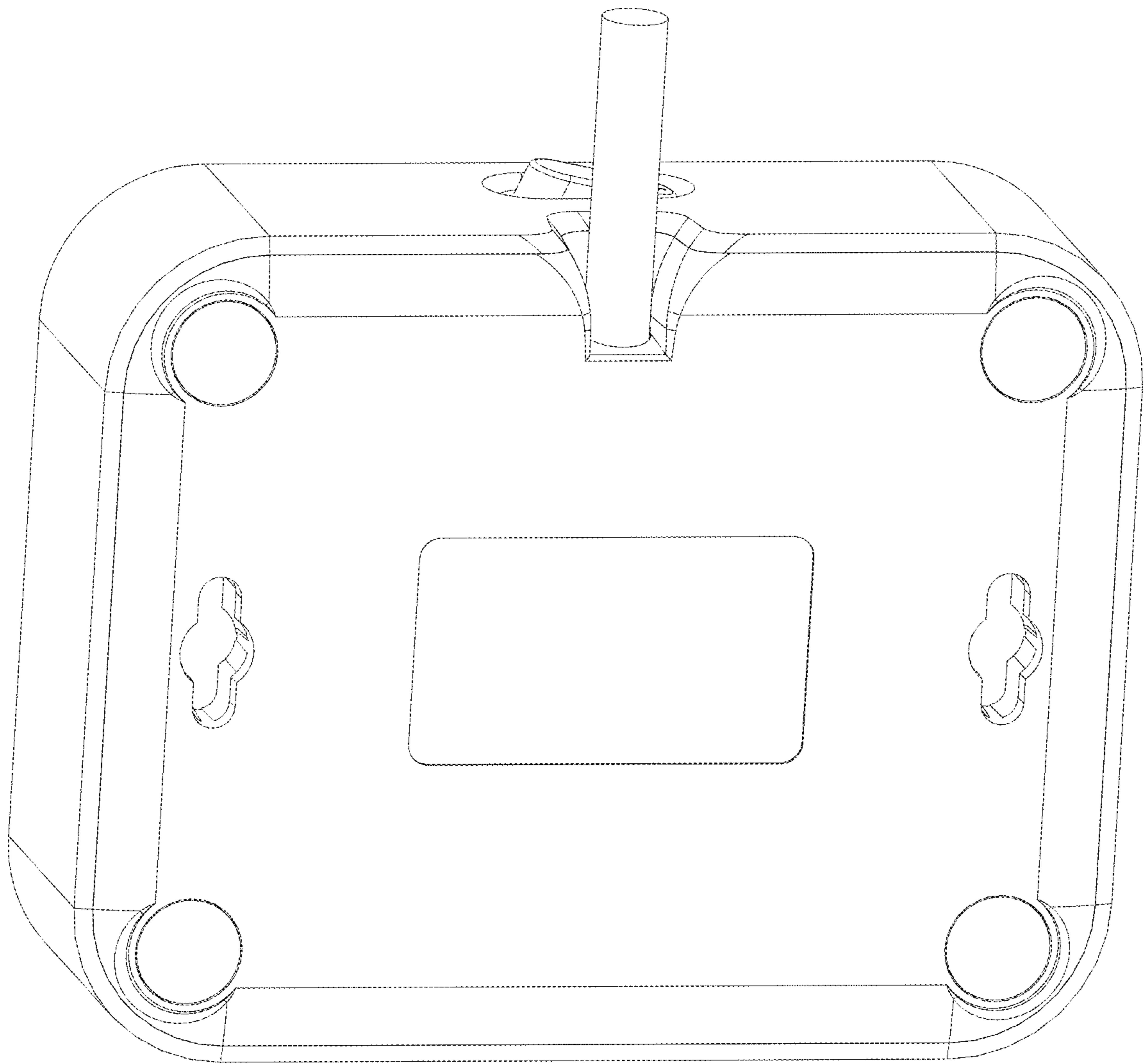


FIG. 8



FIG. 9