



US00D958755S

(12) **United States Design Patent**
Lin

(10) **Patent No.:** **US D958,755 S**
(45) **Date of Patent:** **** Jul. 26, 2022**

(54) **SOCKET**

(71) Applicant: **Dongguan Wontravel Electric Co., Ltd.**, Guangdong (CN)

(72) Inventor: **Liangguan Lin**, Guangdong (CN)

(**) Term: **15 Years**

(21) Appl. No.: **29/794,900**

(22) Filed: **Jun. 15, 2021**

(51) **LOC (13) Cl.** **13-03**

(52) **U.S. Cl.**
USPC **D13/139.7**

(58) **Field of Classification Search**
USPC D13/137.1, 137.2, 137.3, 137.4, 138.1, D13/138.2, 139.1, 139.2, 139.3, 139.4, D13/139.5, 139.6, 139.7, 139.8, 103, 107, D13/108, 110, 119, 123, 133, 145, 152, D13/153, 154, 156, 158, 160, 162, 177, D13/184, 199
CPC H01R 13/00; H01R 13/03; H01R 13/04; H01R 13/10; H01R 13/35; H01R 13/44; H01R 13/453; H01R 13/4534; H01R 13/502; H01R 13/514; H01R 13/631; H01R 13/639; H01R 13/6633; H01R 13/6666; H01R 13/6675; H01R 13/7135; H01R 31/02; H01R 31/06; H01R 13/065
See application file for complete search history.

(56) **References Cited**

U.S. PATENT DOCUMENTS

- 4,293,172 A * 10/1981 Lingaraju H01R 31/02 439/105
- D566,654 S * 4/2008 Ivanova D13/139.7
- D788,709 S * 6/2017 Yeo D13/137.2
- D807,298 S * 1/2018 Xu D13/139.8
- D851,598 S * 6/2019 Liang D13/139.7
- D858,448 S * 9/2019 Zhou D13/137.4
- D871,343 S * 12/2019 Yu D13/139.8

- D875,040 S * 2/2020 Stern D13/108
- D909,308 S * 2/2021 Shaopeng D13/137.2
- D926,697 S * 8/2021 Yu D13/137.2

(Continued)

FOREIGN PATENT DOCUMENTS

GB 6089591 * 5/2020

OTHER PUBLICATIONS

“PD 20W USB C Power Strip, Flat Plug 4 Widely-Spaced Outlets 3 USB Ports Desktop Fast Charging Station, Compact Outlet Expander with 5ft Extension Cord for Travel, Cruise, Home, Office, Dorm Essentials”, first available Sep. 20, 2021. Amazon.com [https://www.amazon.com/dp/B09GPVSWRF] (Year: 2021).*

(Continued)

Primary Examiner — Rosemary K Tarcza
Assistant Examiner — Seth David Kumpf
(74) *Attorney, Agent, or Firm* — Prakash Nama; Global IP Services, PLLC

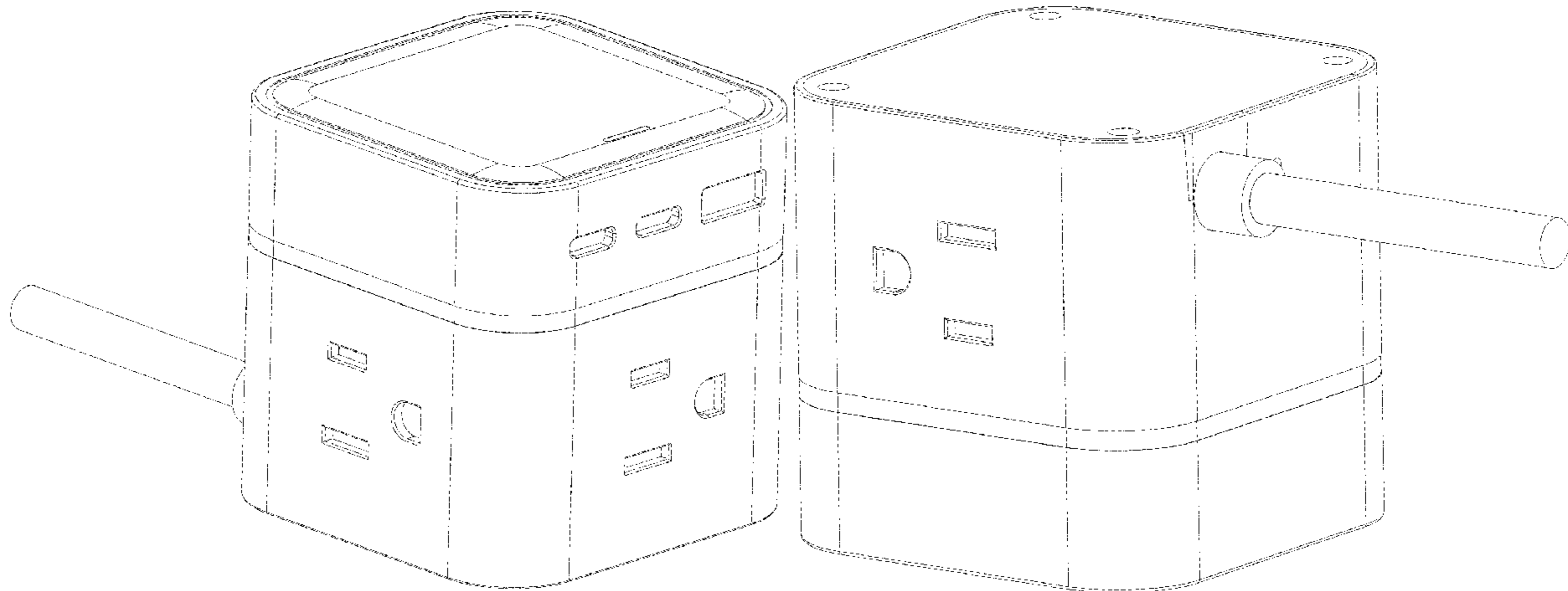
(57) **CLAIM**

The ornamental design for a socket, as shown and described.

DESCRIPTION

FIG. 1 is a front elevational view of a socket showing my new design;
FIG. 2 is a rear elevational view thereof;
FIG. 3 is a left side view thereof;
FIG. 4 is a right side view thereof;
FIG. 5 is a top plan view thereof;
FIG. 6 is a bottom plan view thereof;
FIG. 7 is a perspective view thereof;
FIG. 8 is a second perspective view thereof;
FIG. 9 is a third perspective view thereof; and,
FIG. 10 is a fourth perspective view thereof.
The broken lines shown in the drawings illustrate portions of the socket that form no part of the claimed design.

1 Claim, 10 Drawing Sheets



(56)

References Cited

U.S. PATENT DOCUMENTS

D935,413 S * 11/2021 Wang D13/137.2
2007/0123108 A1 * 5/2007 Ivanova H01R 9/2408
439/620.22

OTHER PUBLICATIONS

“Wall Charger, 3Pack 5V/2.1A AILKIN 2-Port USB Wall Charger Home Travel Plug Power AC Adapter Fast Charging Block Cube for iPhone 13 12 SE 11Pro Max XS XR 8 7 Plus, Samsung Galaxy, Google Pixel, LG Box”, first available Jul. 19, 2017. Amazon.com [https://www.amazon.com/dp/B07437M5QQ] (Year: 2017).*

“SUPERDANNY 4 AC Outlet 2 USB Ports 15A Power Adapter Charger with Safety Covers, White”, first accessed Jan. 20, 2022. Walmart.com [https://www.walmart.com/ip/SUPERDANNY-4-AC-Outlet-2-USB-Ports-15A-Power-Adapter-Charger-with-Safety-Covers-White/274577495] (Year: 2022).*

“SUPERDANNY Multi-Plug Outlet Extender with 4 Electrical Outlets & 3 USB Ports Spaced Cube Charger, White”, first accessed Jan. 20, 2022. Walmart.com [https://www.walmart.com/ip/SUPERDANNY-Multi-Plug-Outlet-Extender-with-4-Electrical-Outlets-3-USB-Ports-Spaced-Cube-Charger-White/796664437] (Year: 2022).*

* cited by examiner

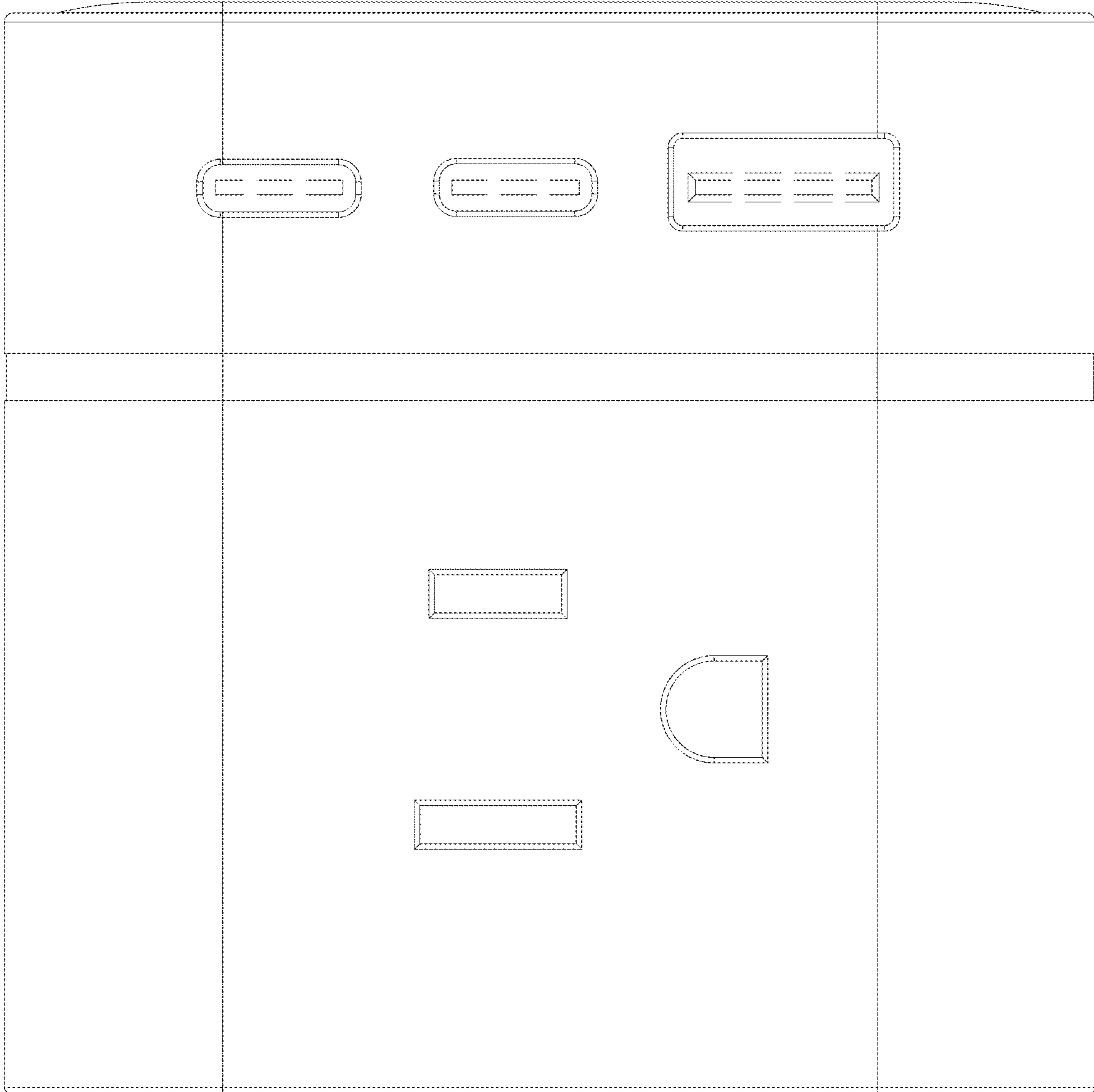


FIG. 1

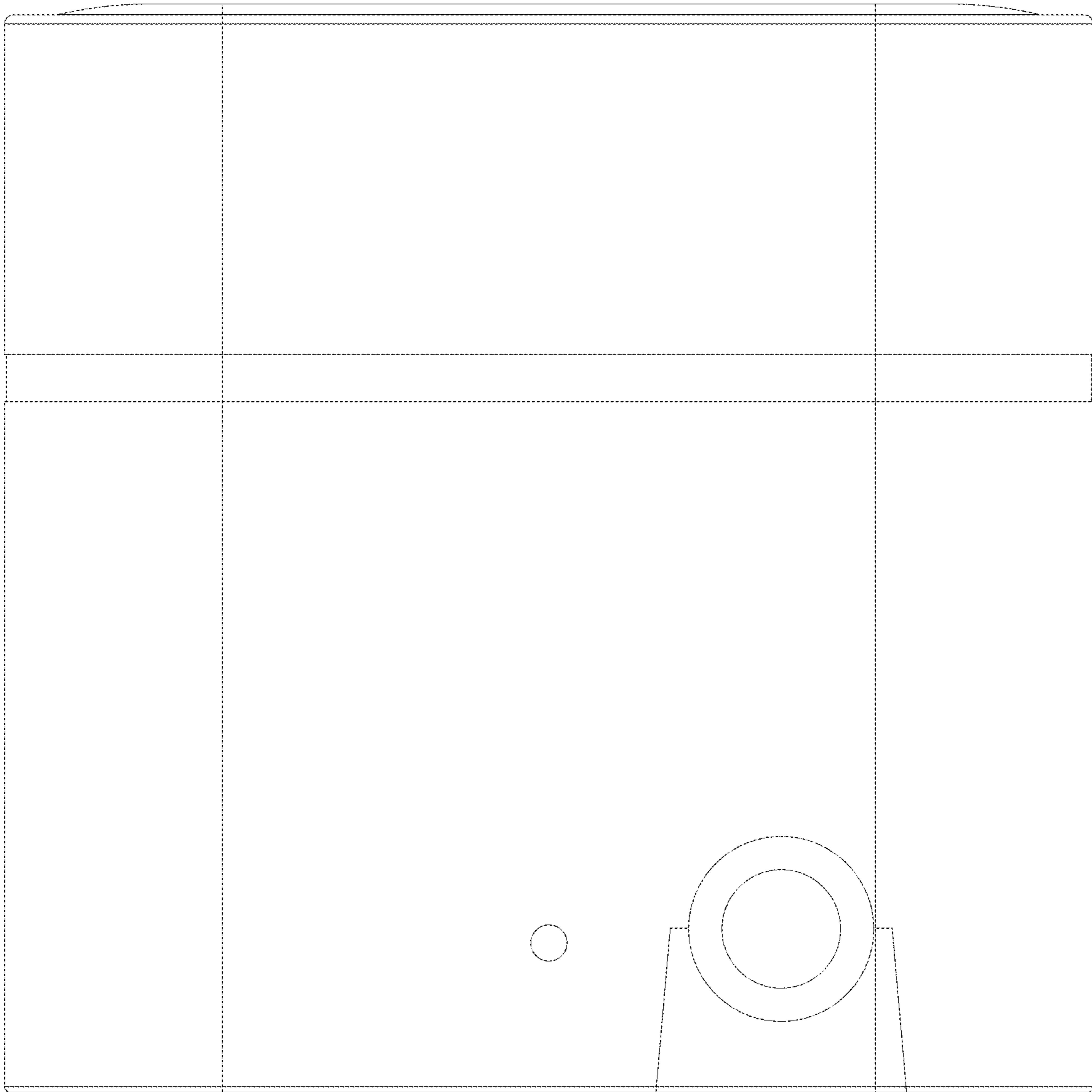


FIG. 2

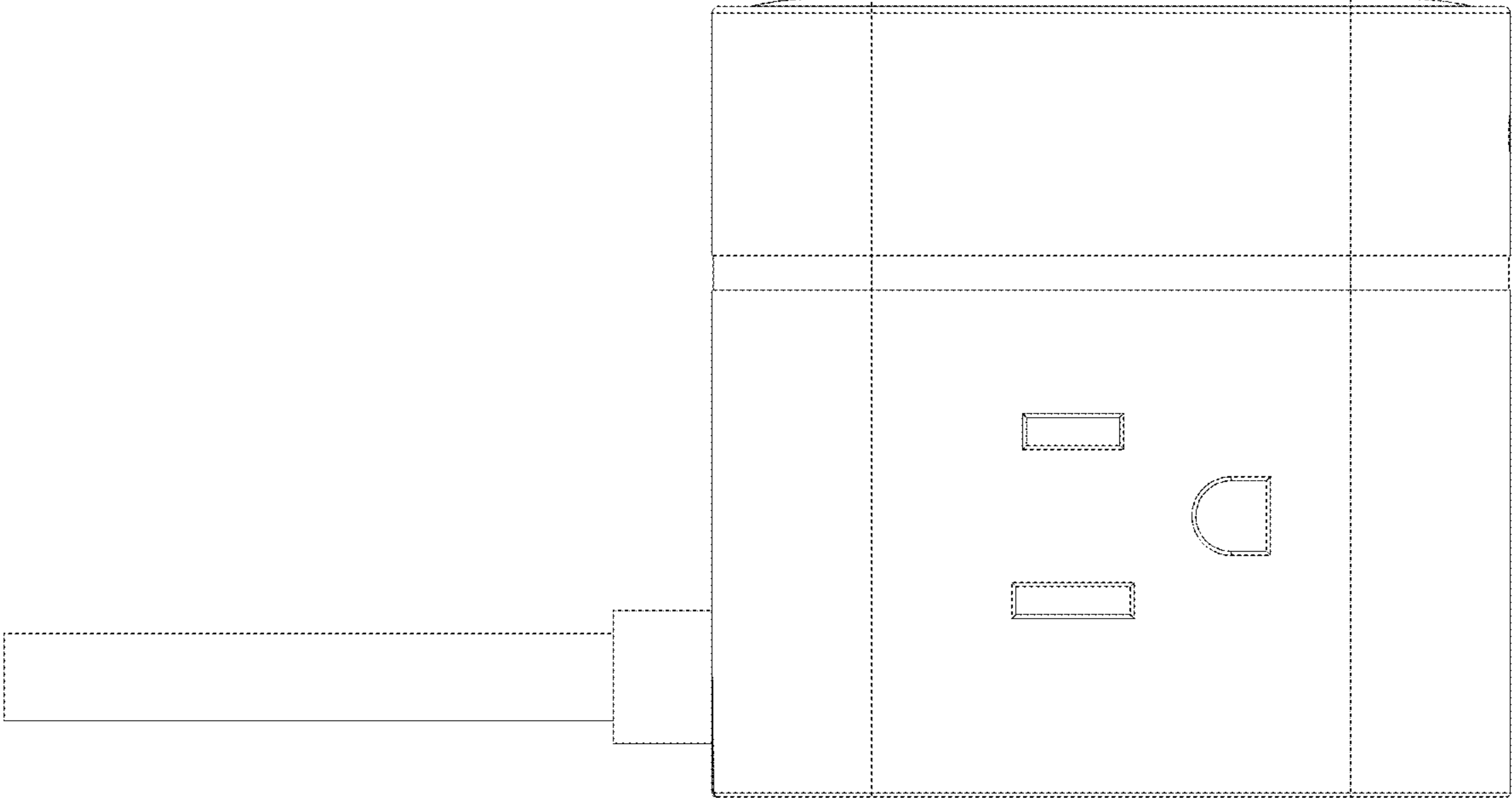


FIG. 3

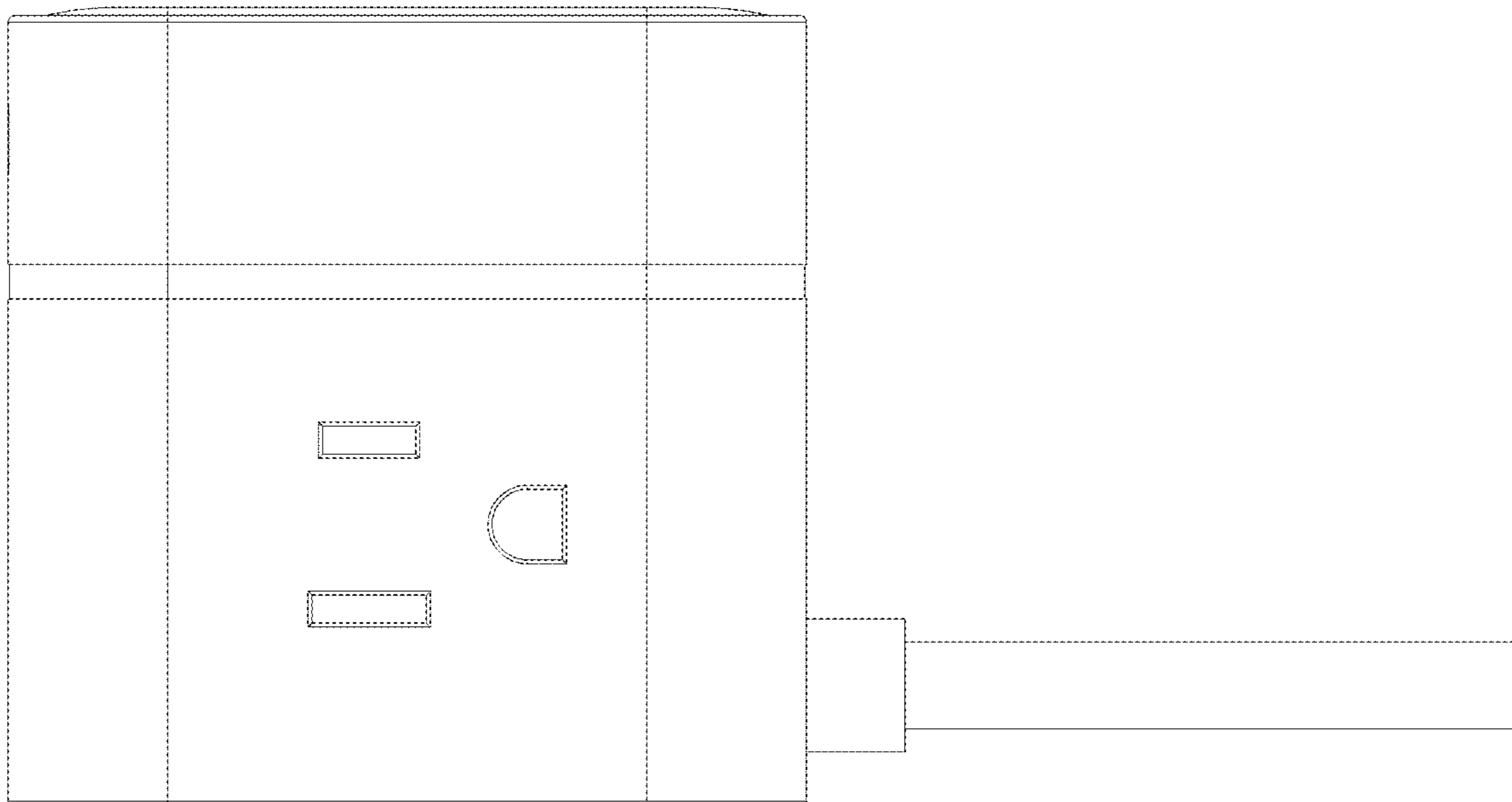


FIG. 4

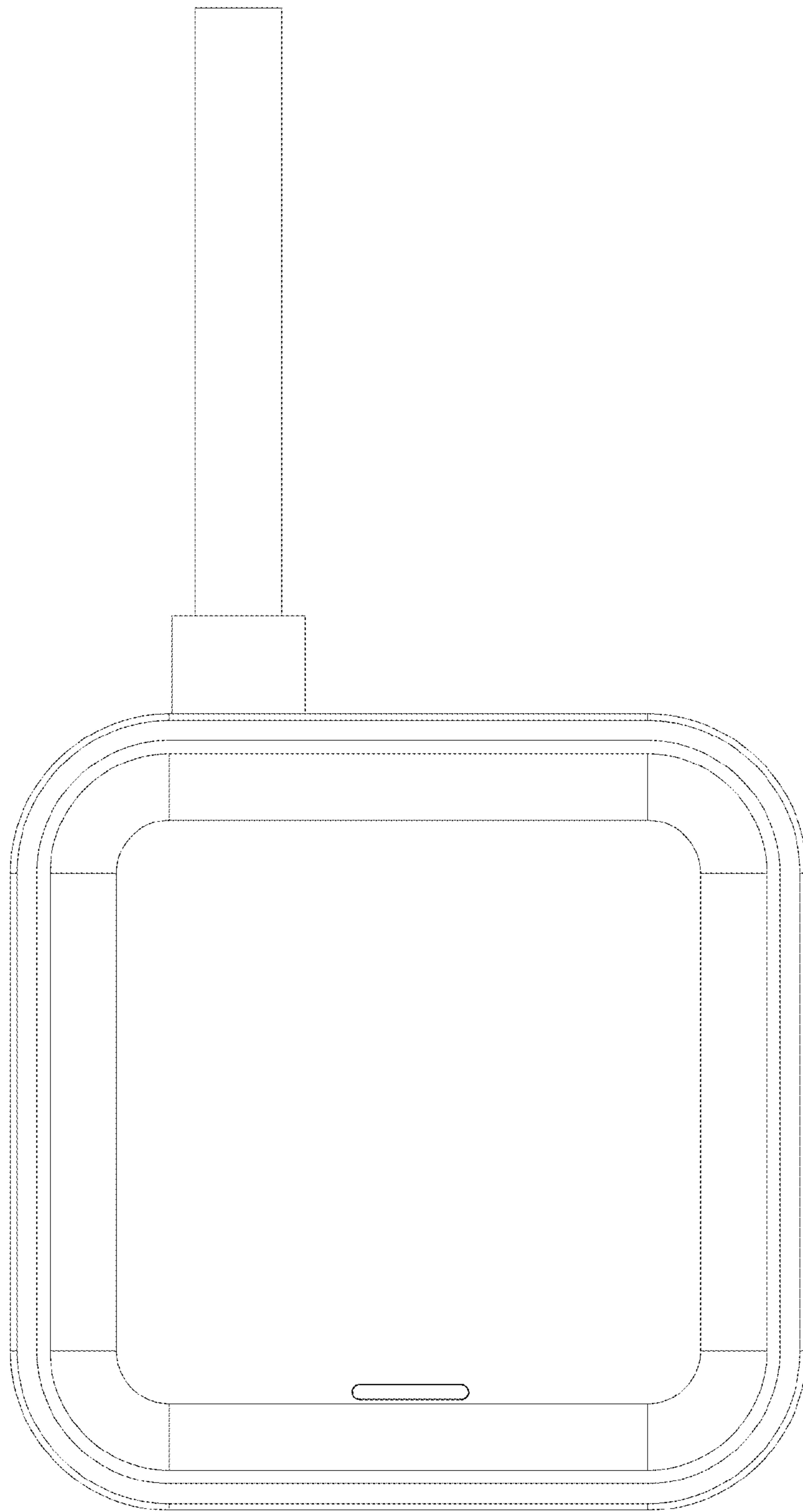


FIG. 5

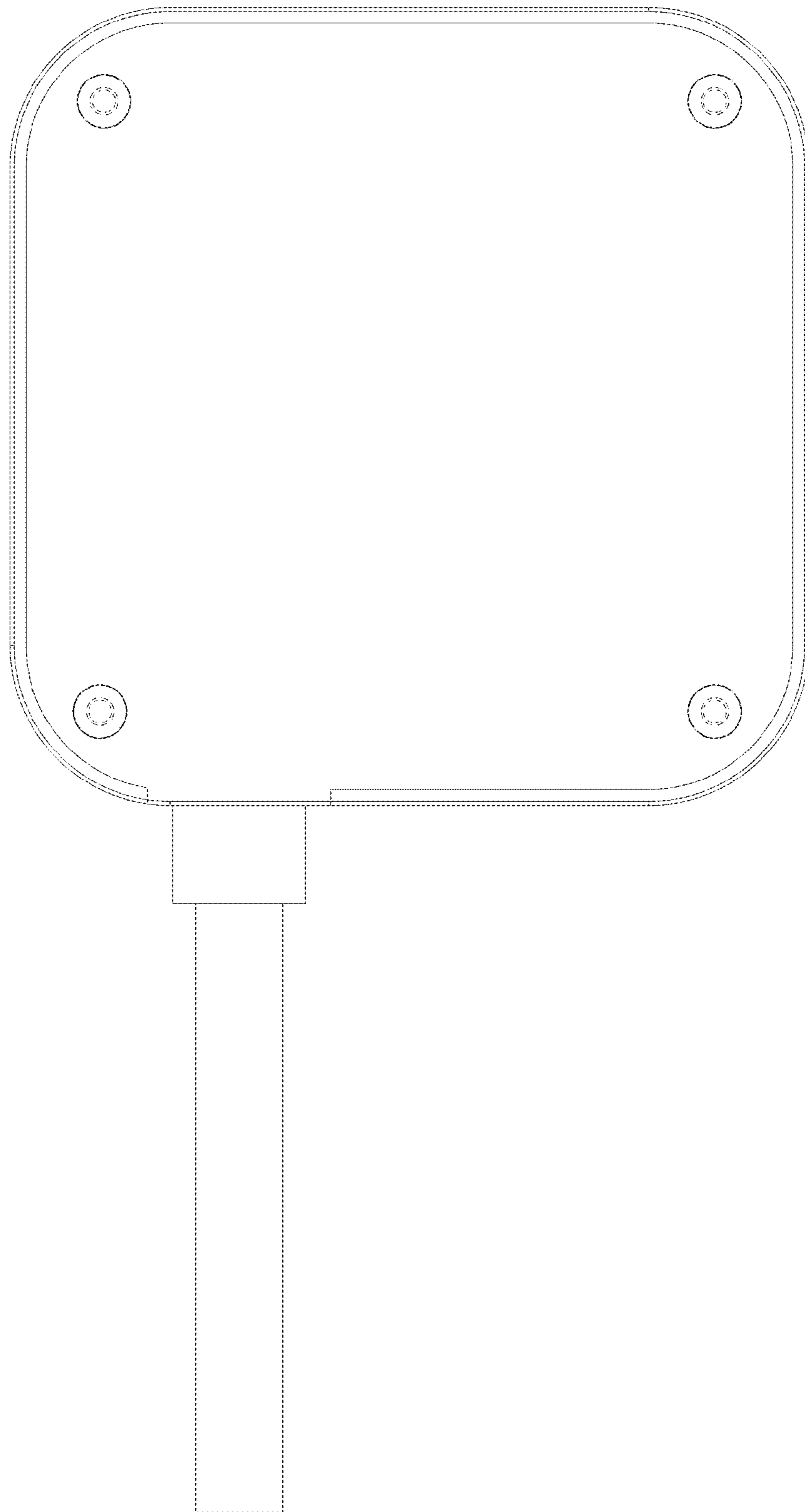


FIG. 6

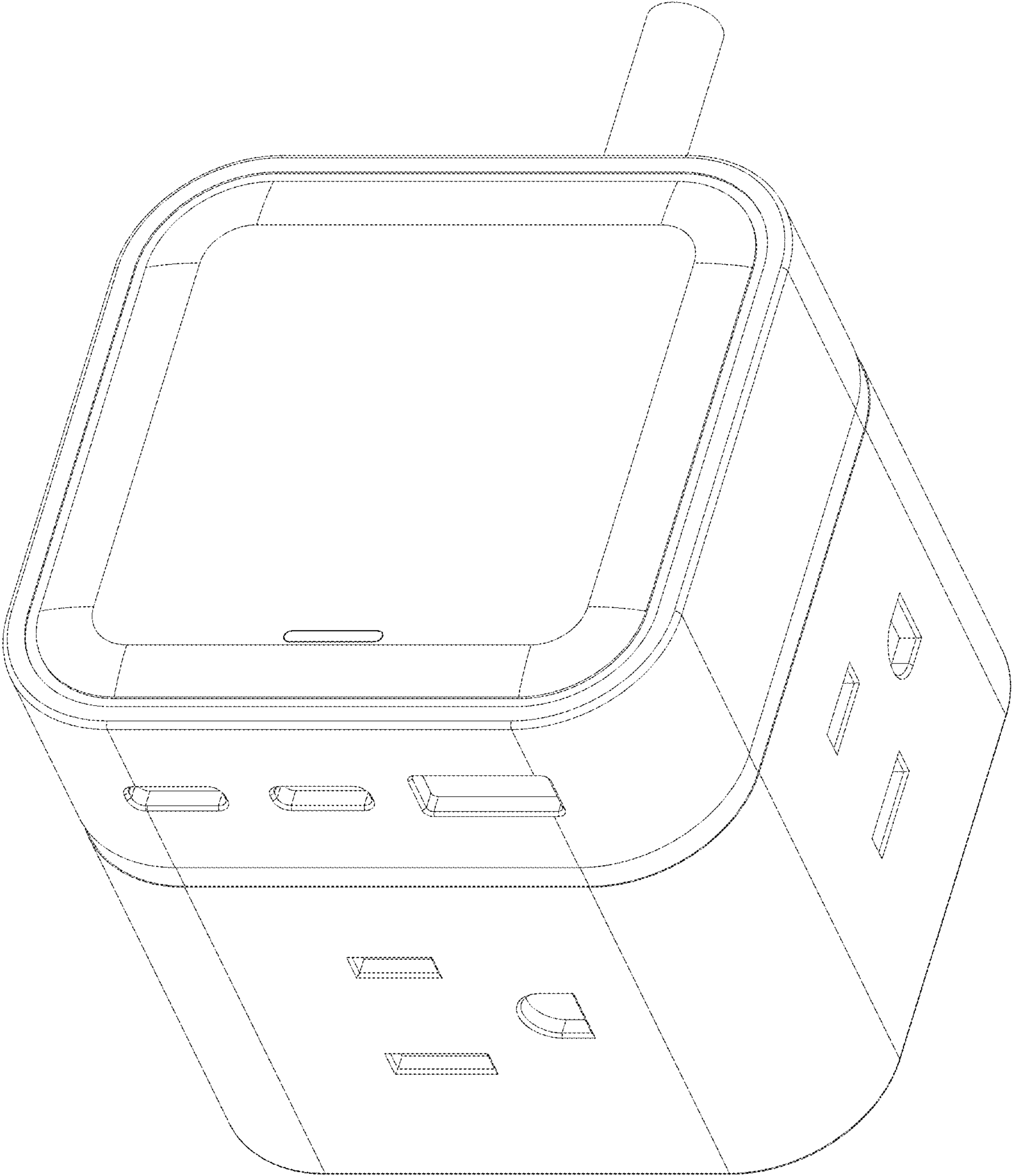


FIG. 7

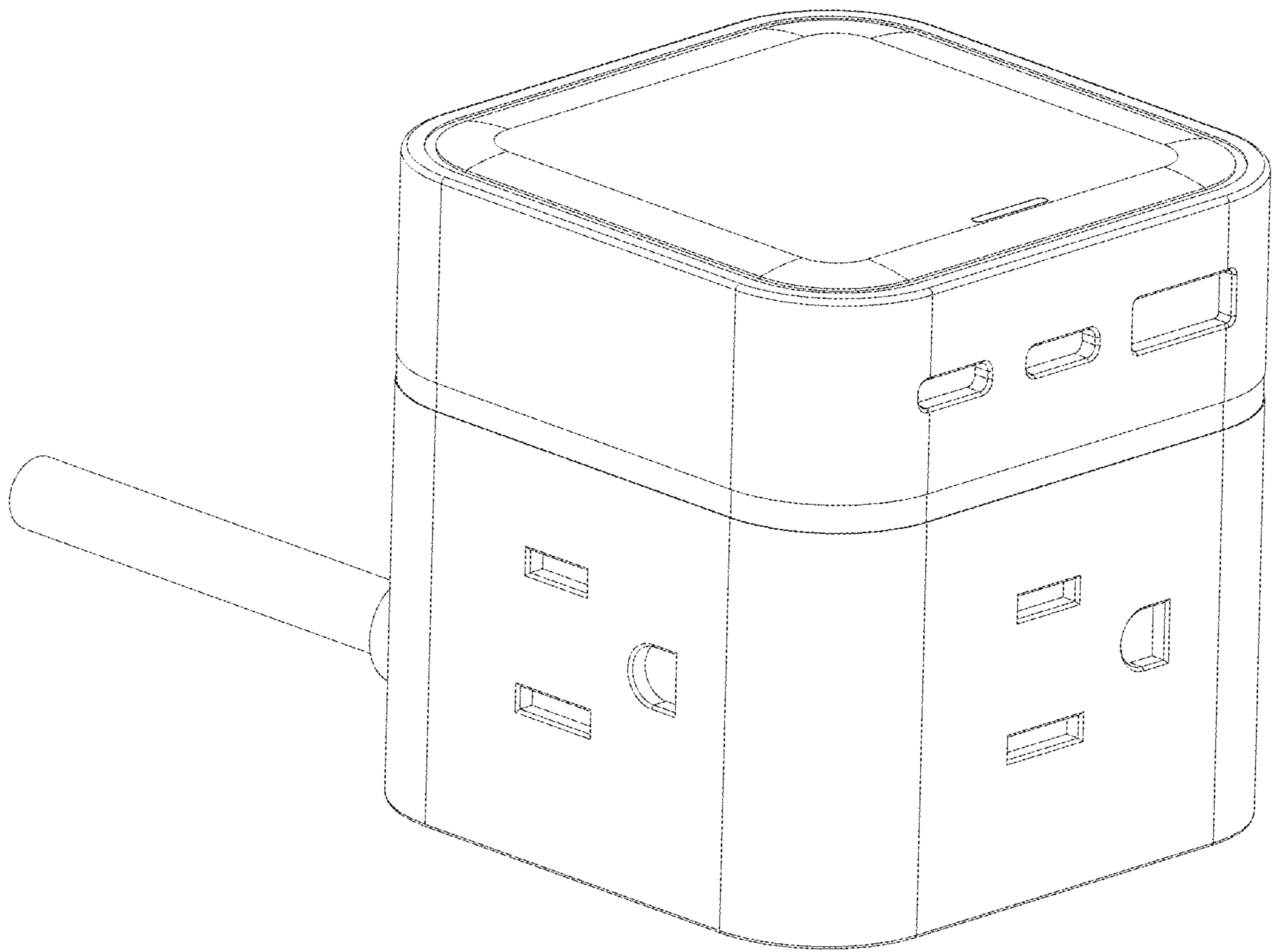


FIG. 8

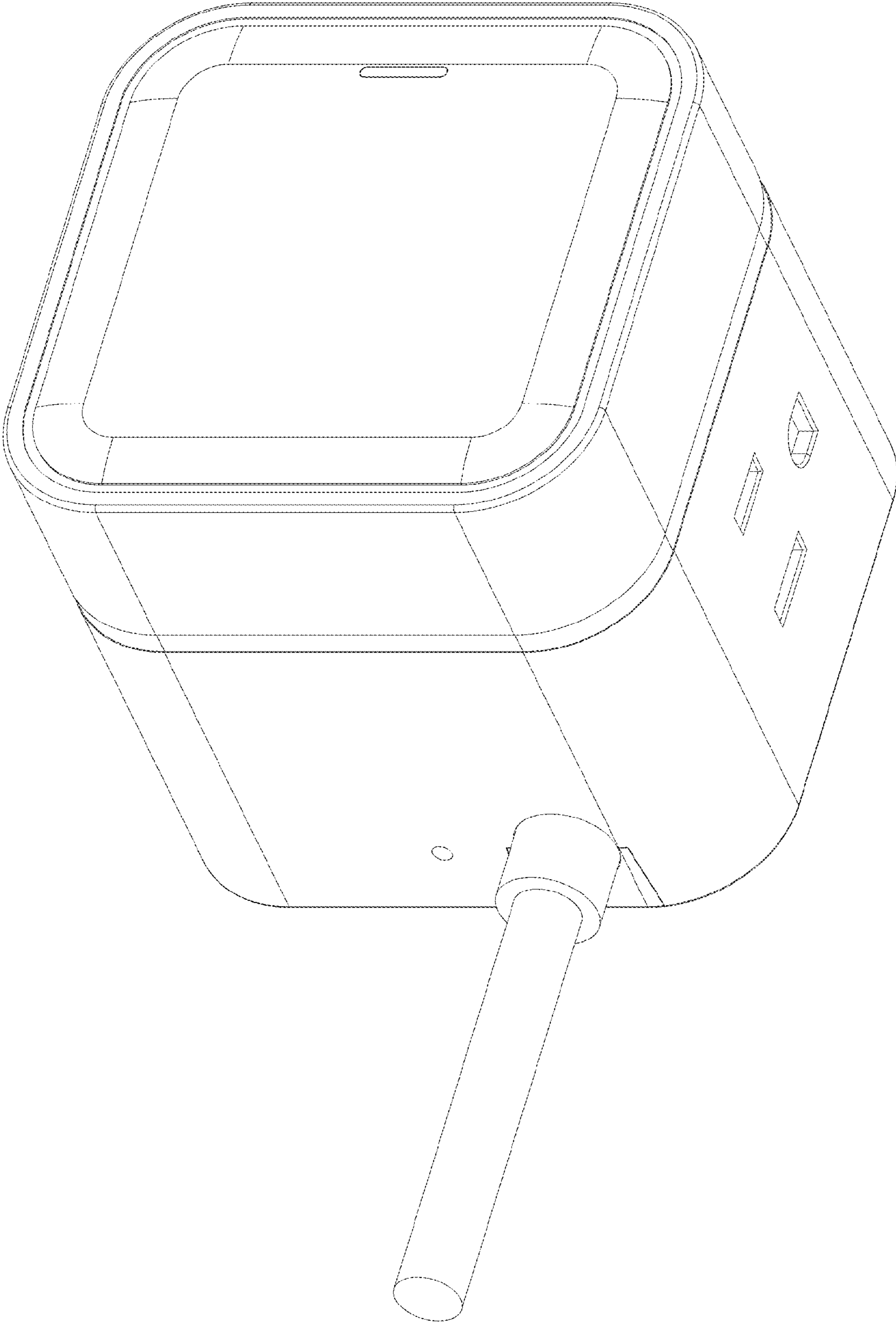


FIG. 9

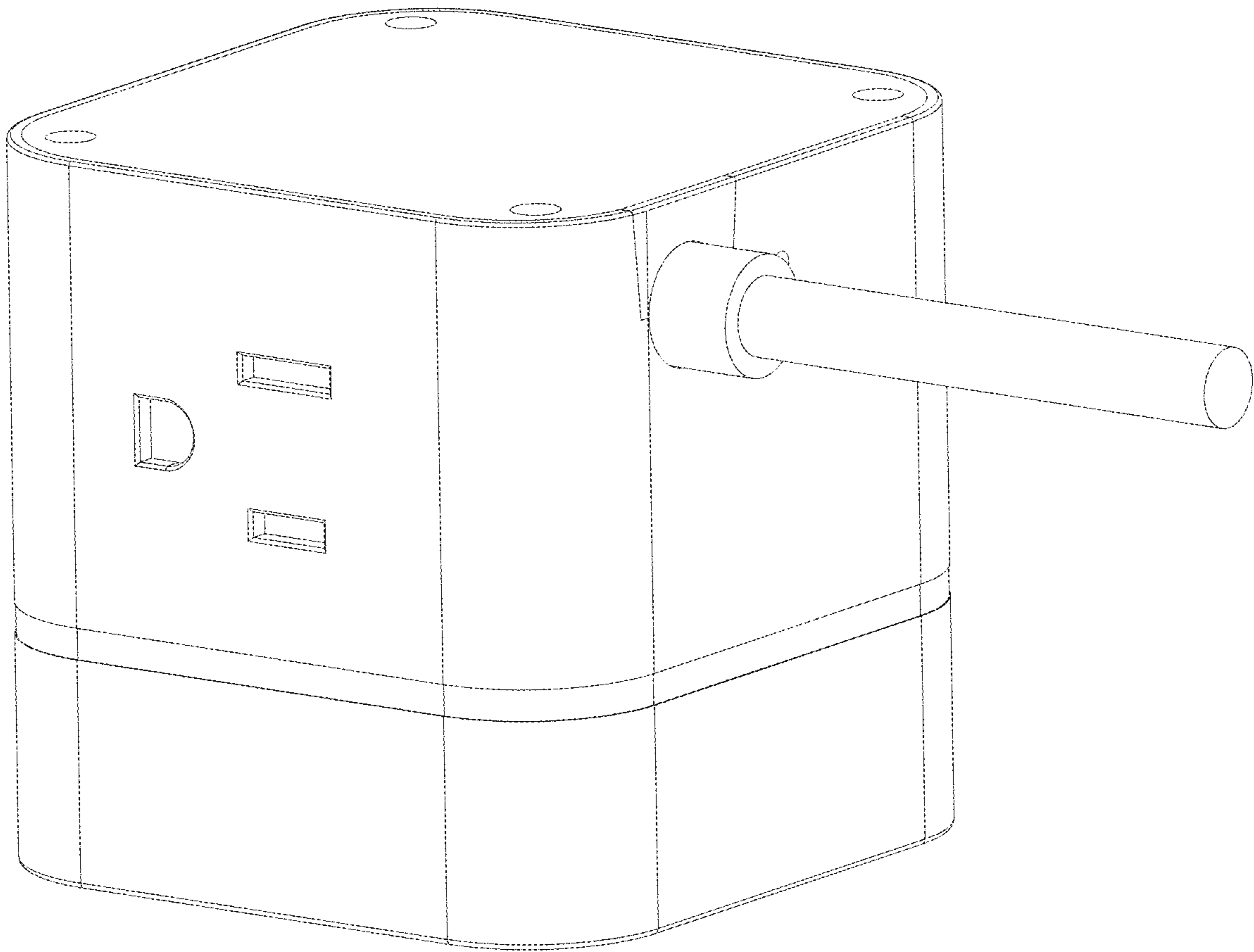


FIG. 10