



US00D958752S

(12) **United States Design Patent**
Ding et al.

(10) **Patent No.:** **US D958,752 S**

(45) **Date of Patent:** **** Jul. 26, 2022**

(54) **SOCKET**

(71) Applicant: **Dongguan Keben Electrical appliance Co., Ltd.**, Dongguan (CN)

(72) Inventors: **Sheng Ding**, Dongguan (CN); **Li Qin Ye**, Dongguan (CN)

(73) Assignee: **Dongguan Keben Electrical Appliance Co., Ltd.**, Dongguan (CN)

(**) Term: **15 Years**

(21) Appl. No.: **29/762,312**

(22) Filed: **Dec. 16, 2020**

(51) **LOC (13) Cl.** **13-03**

(52) **U.S. Cl.**
USPC **D13/139.1**

(58) **Field of Classification Search**
USPC D13/137.1, 137.2, 137.3, 137.4, 138.1, D13/138.2, 139.1, 139.2, 139.3, 139.4, D13/139.5, 139.6, 139.7, 139.8, 103, 107, D13/108, 110, 119, 123, 133, 145, 152, D13/153, 154, 156, 158, 160, 162, 177, D13/184, 199
CPC H01R 13/00; H01R 13/03; H01R 13/04; H01R 13/10; H01R 13/35; H01R 13/44; H01R 13/453; H01R 13/4534; H01R 13/502; H01R 13/514; H01R 13/631; H01R 13/639; H01R 13/6633; H01R 13/6666; H01R 13/6675; H01R 13/7135; H01R 31/02; H01R 31/06; H01R 31/065
See application file for complete search history.

(56) **References Cited**

U.S. PATENT DOCUMENTS

D566,654 S * 4/2008 Ivanova D13/139.7
D788,709 S * 6/2017 Yeo D13/137.2
D807,298 S * 1/2018 Xu D13/139.8
D851,598 S * 6/2019 Liang D13/139.7
D858,448 S * 9/2019 Zhou D13/137.4

D871,343 S * 12/2019 Yu D13/139.8
D875,040 S * 2/2020 Stern D13/137.1
D879,721 S * 3/2020 Eshelman D13/139.7
D881,820 S * 4/2020 Li D13/139.8

(Continued)

FOREIGN PATENT DOCUMENTS

GB 6089591 * 5/2020

OTHER PUBLICATIONS

“Multi Plug Outlet Extender, Wonplug 3 Prong Adapter 90 Degree Plug Adapter with 4 AC Electrical Sockets Compact Cube Side Outlets Wall Charger Splitter for USA Home Office Hotel Travel, White”, first available Apr. 28, 2019. Amazon.com [https://www.amazon.com/dp/B08BC4H4P4] (Year: 2019).*

(Continued)

Primary Examiner — Rosemary K Tarcza
Assistant Examiner — Seth David Kumpf
(74) *Attorney, Agent, or Firm* — Lin & Associates Intellectual Property, Inc.

(57) **CLAIM**

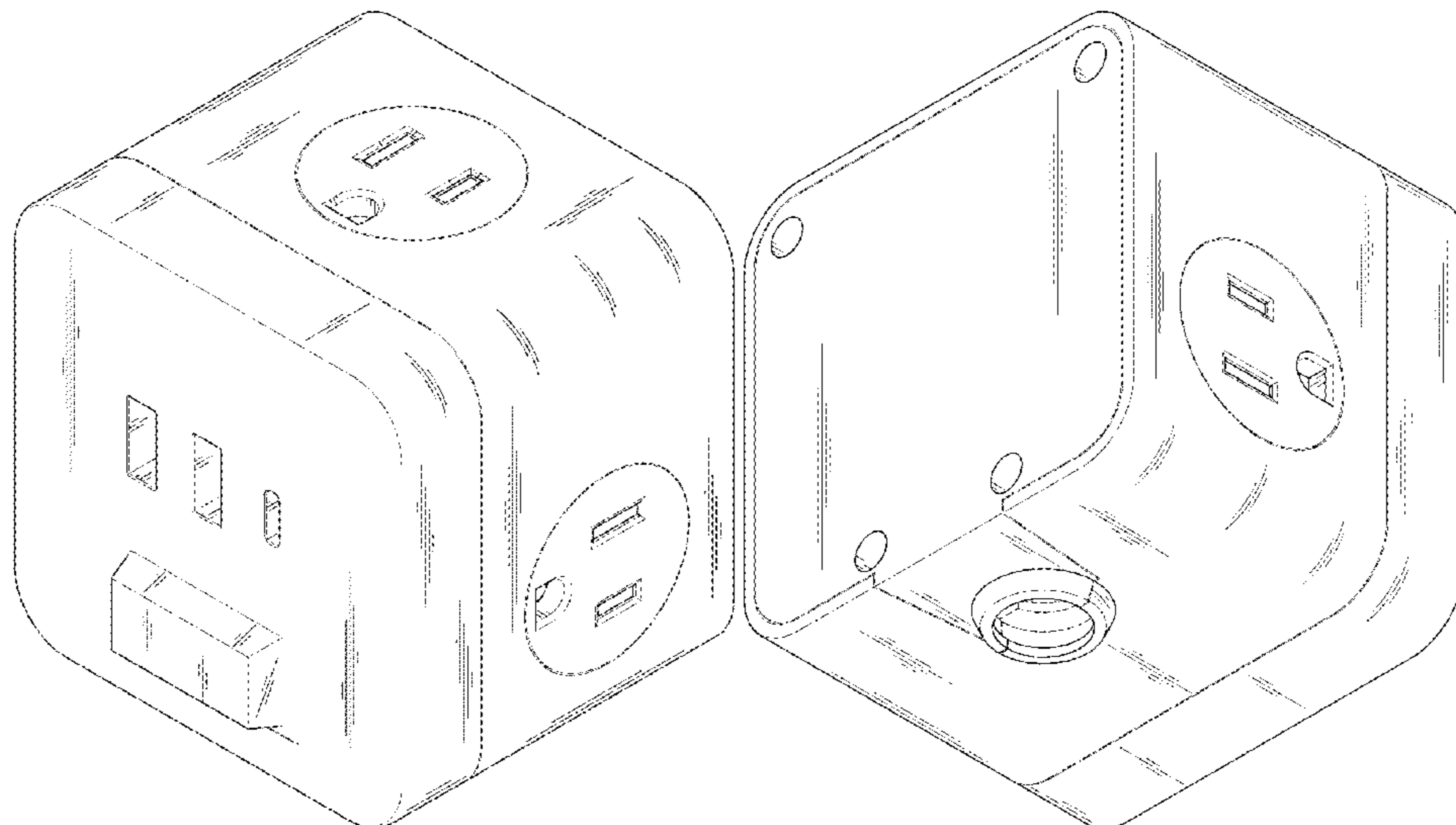
The ornamental design for a socket, as shown and described.

DESCRIPTION

FIG. 1 is a perspective view of a socket showing our new design;
FIG. 2 is a front elevational view thereof;
FIG. 3 is a rear elevational view thereof;
FIG. 4 is a left elevational view thereof;
FIG. 5 is a right elevational view thereof;
FIG. 6 is a top view thereof;
FIG. 7 is a bottom view thereof; and,
FIG. 8 is a perspective view of the socket viewed from another direction.

The broken lines shown in the drawings illustrate portions of the socket that form no part of the claimed design.

1 Claim, 8 Drawing Sheets



(56)

References Cited

U.S. PATENT DOCUMENTS

D894,839 S *	9/2020	Chen	D13/139.7
D905,643 S *	12/2020	Wu	D13/137.2
D909,306 S *	2/2021	Shaopeng	D13/137.2
D909,308 S *	2/2021	Shaopeng	D13/137.2
2015/0207271 A1 *	7/2015	Si	H01R 31/02 439/628
2015/0280379 A1 *	10/2015	Yan	H01R 31/02 29/854

OTHER PUBLICATIONS

“GE 3-Outlet Extender Wall Tap Cube, 3 Pack, Adapter Spaced Outlets, Easy Access Design, Grounded, 3-Prong, Perfect for Home or Travel, UL Listed, White, 46845”, first available Oct. 22, 2019. Amazon.com [https://www.amazon.com/dp/B07ZGFF41G] (Year: 2019).*

“Outlet Splitter with USB 4 AC Outlets 3 USB Charging Ports, Huntkey Cube Outlet Surge Protector Portable Design, Overload Protection for iPhone, Compact for Travel and Office, SMC007”, first available Jun. 27, 2018. Amazon.com [https://www.amazon.com/dp/B07F2TDBQX] (Year: 2018).*

“Multi Plug Outlet Extender USB—TROND Electrical Wall Outlet Splitter with 2 USB Charger and 3 Outlet, Multiple Plug Extender Outlet Box, USB Cube Adapter for Kitchen, Home, Bathroom, Cruise, Travel”, first available May 20, 2019. Amazon.com [https://www.amazon.com/dp/B07QV13WLN] (Year: 2019).*

* cited by examiner

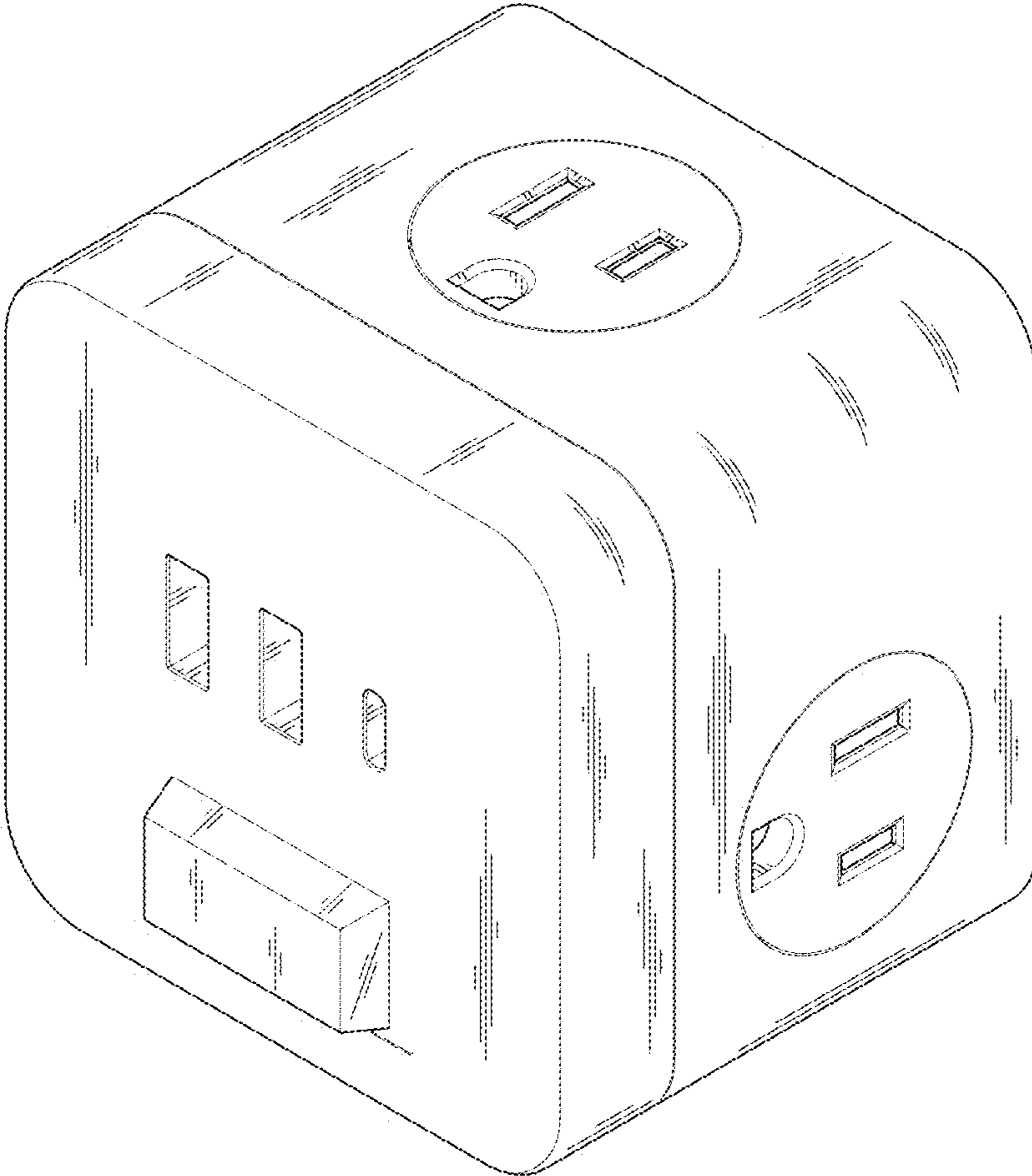


FIG. 1

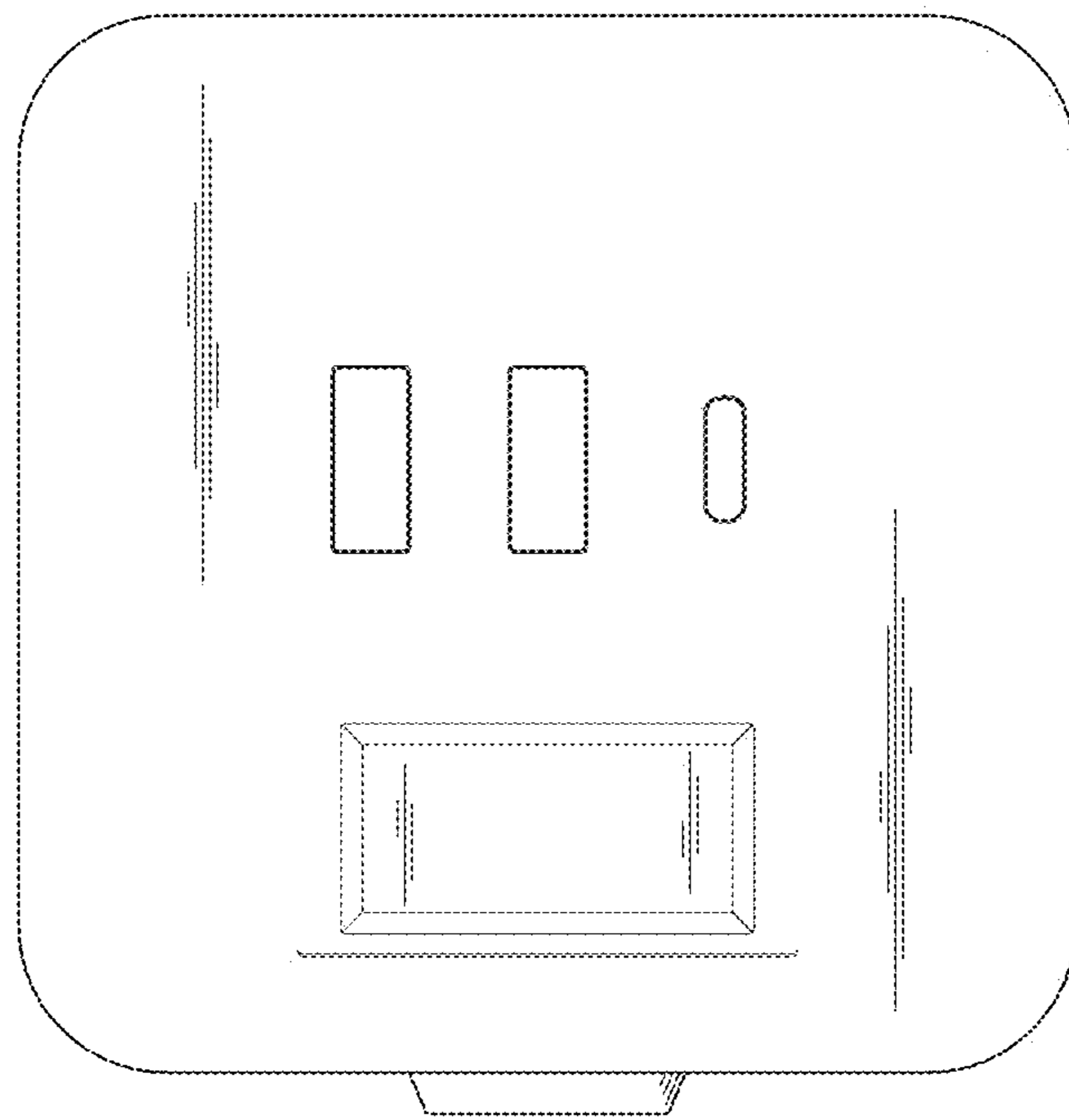


FIG. 2

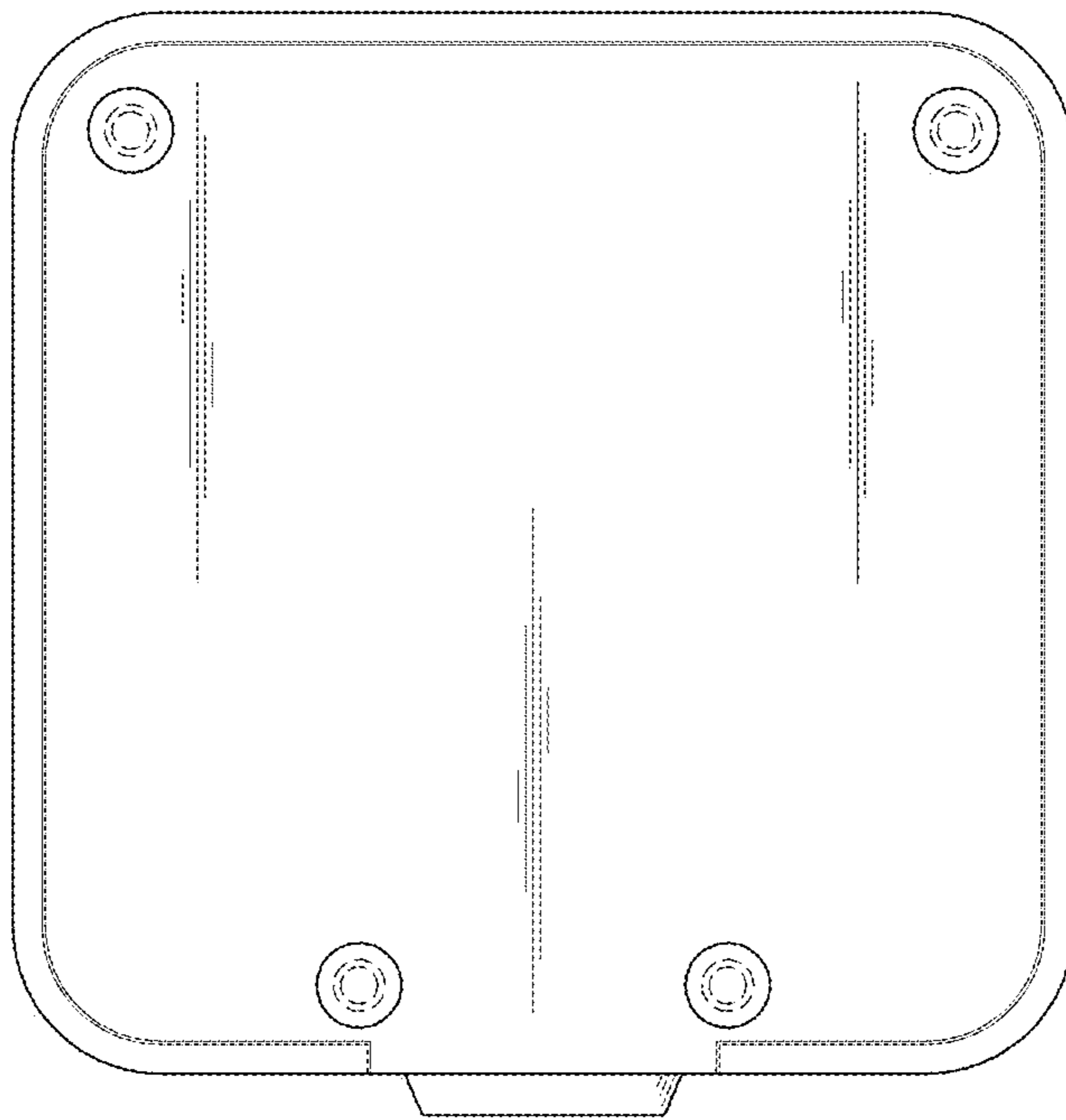


FIG. 3

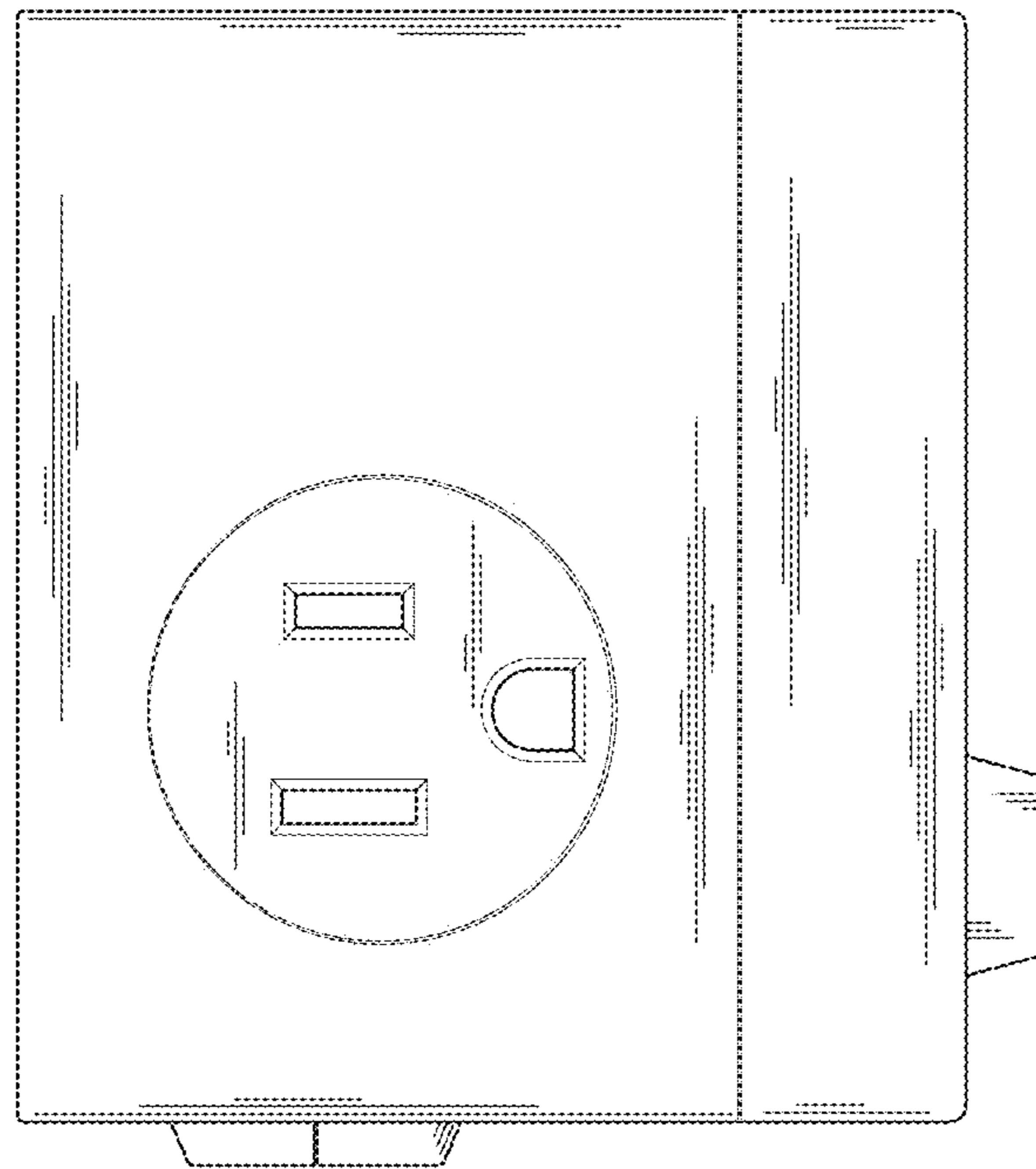


FIG. 4

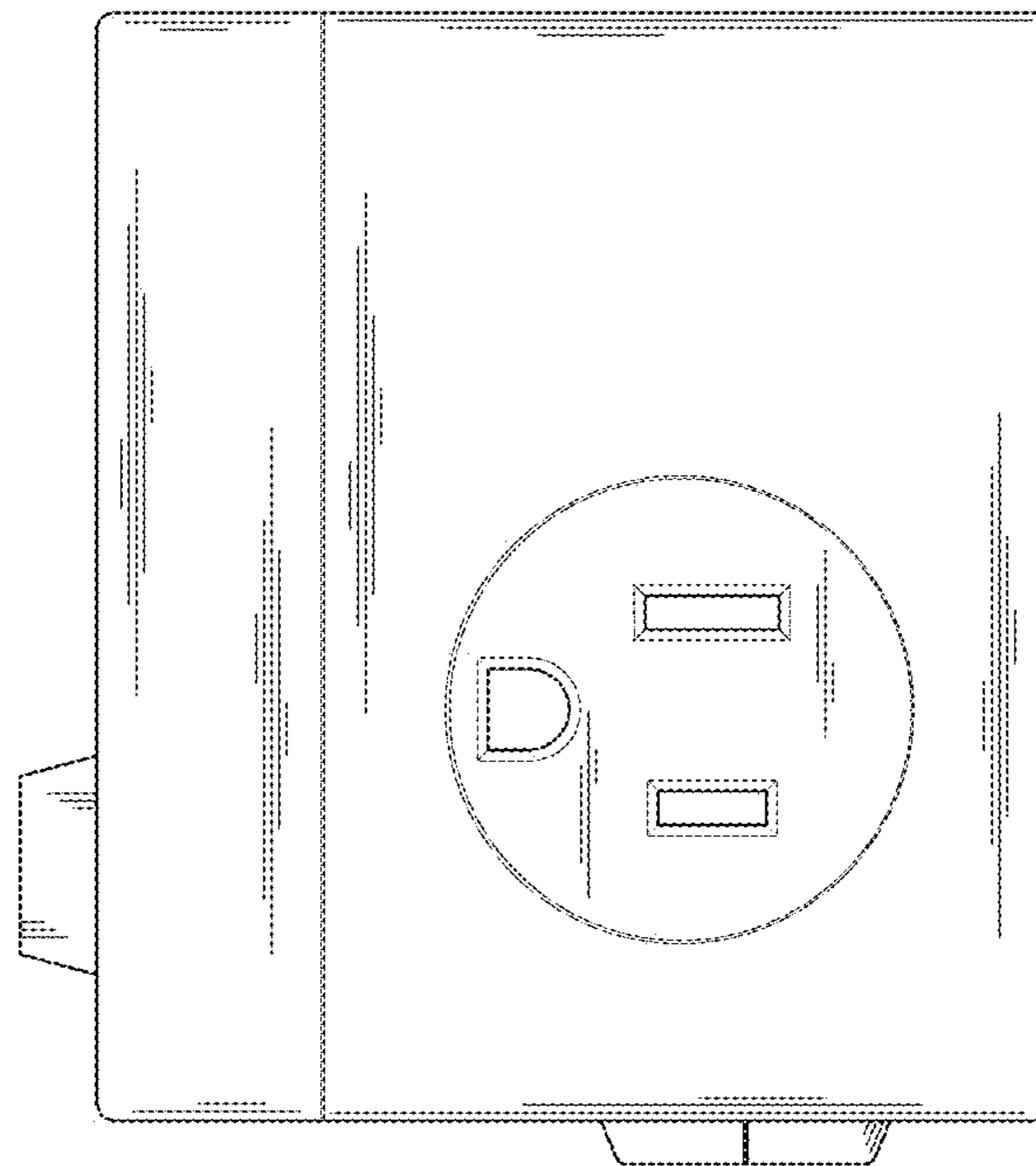


FIG. 5

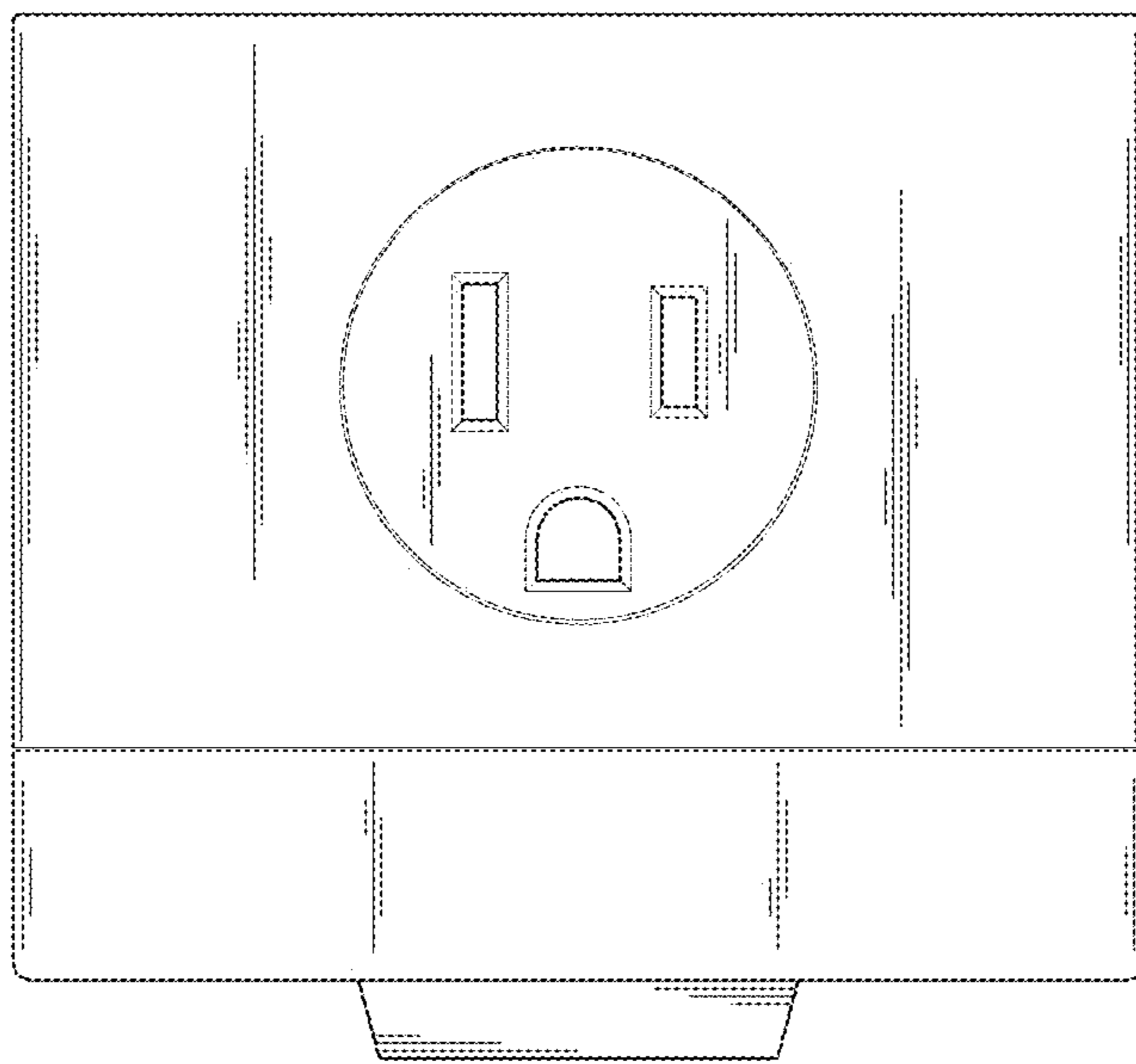


FIG. 6

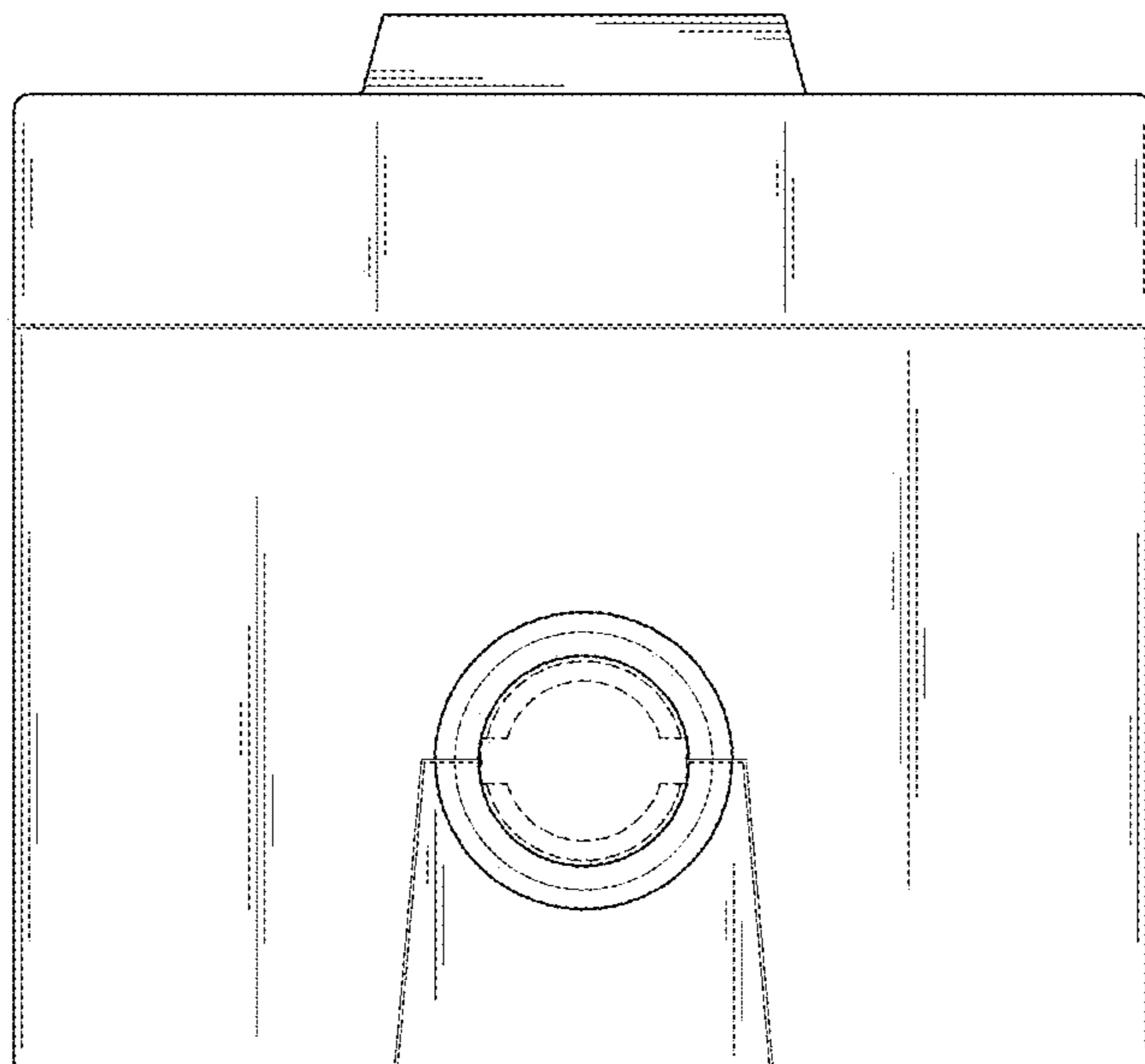


FIG. 7

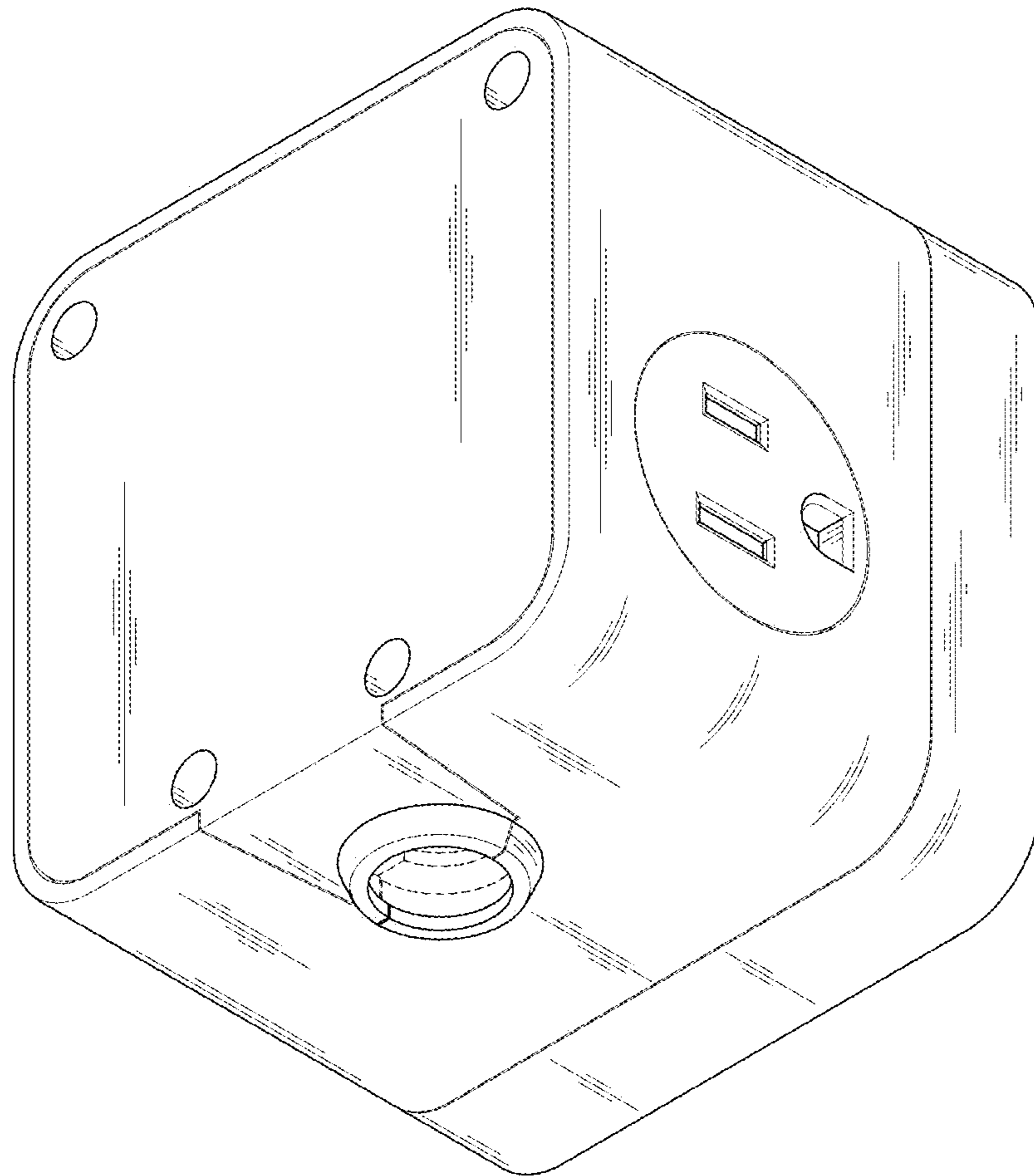


FIG. 8