



US00D958750S

(12) **United States Design Patent**
Desai et al.

(10) **Patent No.:** **US D958,750 S**
(45) **Date of Patent:** **** Jul. 26, 2022**

(54) **CONNECTOR**

(71) Applicant: **Molex, LLC**, Lisle, IL (US)

(72) Inventors: **Ravikanth Desai**, Bengaluru (IN);
Rahul Bhaskar, Bengaluru (IN);
Narayan Mithun, Bengaluru (IN);
Kalidindi Ramesh Raju, Bengaluru (IN);
Debashis Sarkar, Bengaluru (IN)

(73) Assignee: **Molex, LLC**, Lisle, IL (US)

(**) Term: **15 Years**

(21) Appl. No.: **29/753,401**

(22) Filed: **Sep. 30, 2020**

(51) **LOC (13) Cl.** **13-03**

(52) **U.S. Cl.**
USPC **D13/133**

(58) **Field of Classification Search**
USPC D13/101, 107, 118, 123, 133, 146, 147,
D13/149, 153–155, 173, 184, 199
CPC . G02B 6/38; G02B 6/36; H01R 13/40; H01R
13/58; H01R 13/627; H01R 24/00; H01R
31/06; H01R 13/60; H01R 13/66; H01R
43/18

See application file for complete search history.

(56) **References Cited**

U.S. PATENT DOCUMENTS

5,897,503	A	4/1999	Lyon et al.	
6,428,357	B1	8/2002	Dolinshek et al.	
6,454,604	B1	9/2002	Currie et al.	
D491,146	S *	6/2004	Hu	D13/147
6,910,795	B2	6/2005	Luca et al.	
D512,687	S *	12/2005	Baker	D13/133
D519,924	S *	5/2006	Baker	D13/133

7,251,409	B2	7/2007	Shakeri	
D575,236	S *	8/2008	Tago	D13/147
7,850,476	B2	12/2010	Good	
7,892,012	B1	2/2011	Foung	
7,976,329	B2	7/2011	Foung	
D704,646	S *	5/2014	Grant	D13/147
9,429,732	B2	8/2016	Ahmed et al.	
D906,249	S *	12/2020	Hasan	D13/137.1
D906,977	S *	1/2021	Somanathapura Ramanna	
				D13/133
2015/0071592	A1 *	3/2015	Zimmel	G02B 6/3889
				385/80
2020/0073072	A1 *	3/2020	Fabris	H02G 7/056

* cited by examiner

Primary Examiner — Shawn T Gingrich

(74) *Attorney, Agent, or Firm* — Banner & Witcoff, Ltd.

(57) **CLAIM**

The ornamental design for a connector, as shown and described.

DESCRIPTION

FIG. 1 is a front top perspective view of a connector showing our new design;

FIG. 2 is an opposite side front top perspective view thereof;

FIG. 3 is a front view thereof;

FIG. 4 is a rear view thereof;

FIG. 5 is a top view thereof;

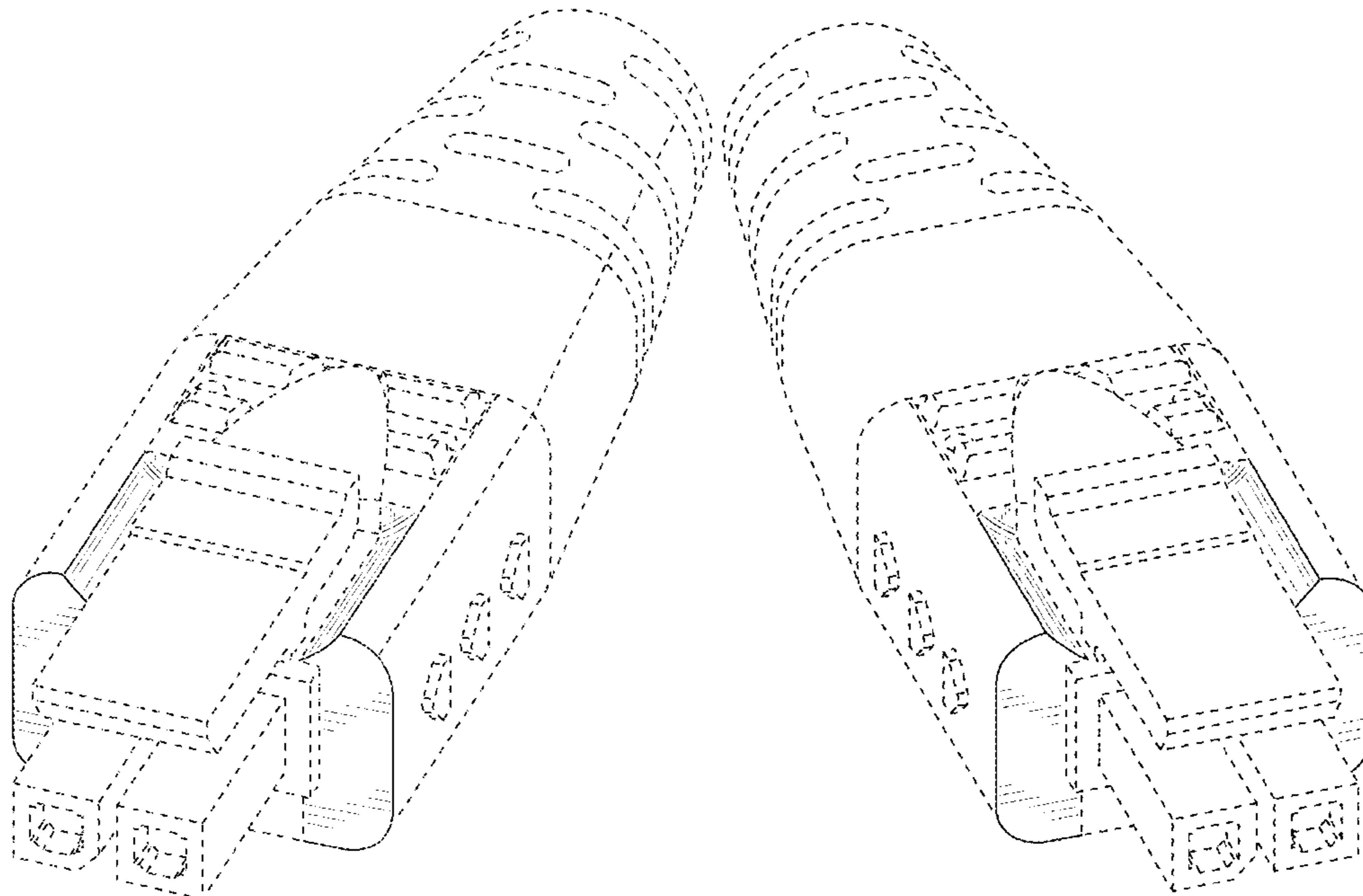
FIG. 6 is a bottom view thereof;

FIG. 7 is a left side view thereof; and,

FIG. 8 is a right side view thereof.

The broken lines immediately adjacent to the shaded areas represent the bounds of the claimed design and form no part thereof. The broken lines depicting the remainder of the connector form no part of the claimed design.

1 Claim, 8 Drawing Sheets



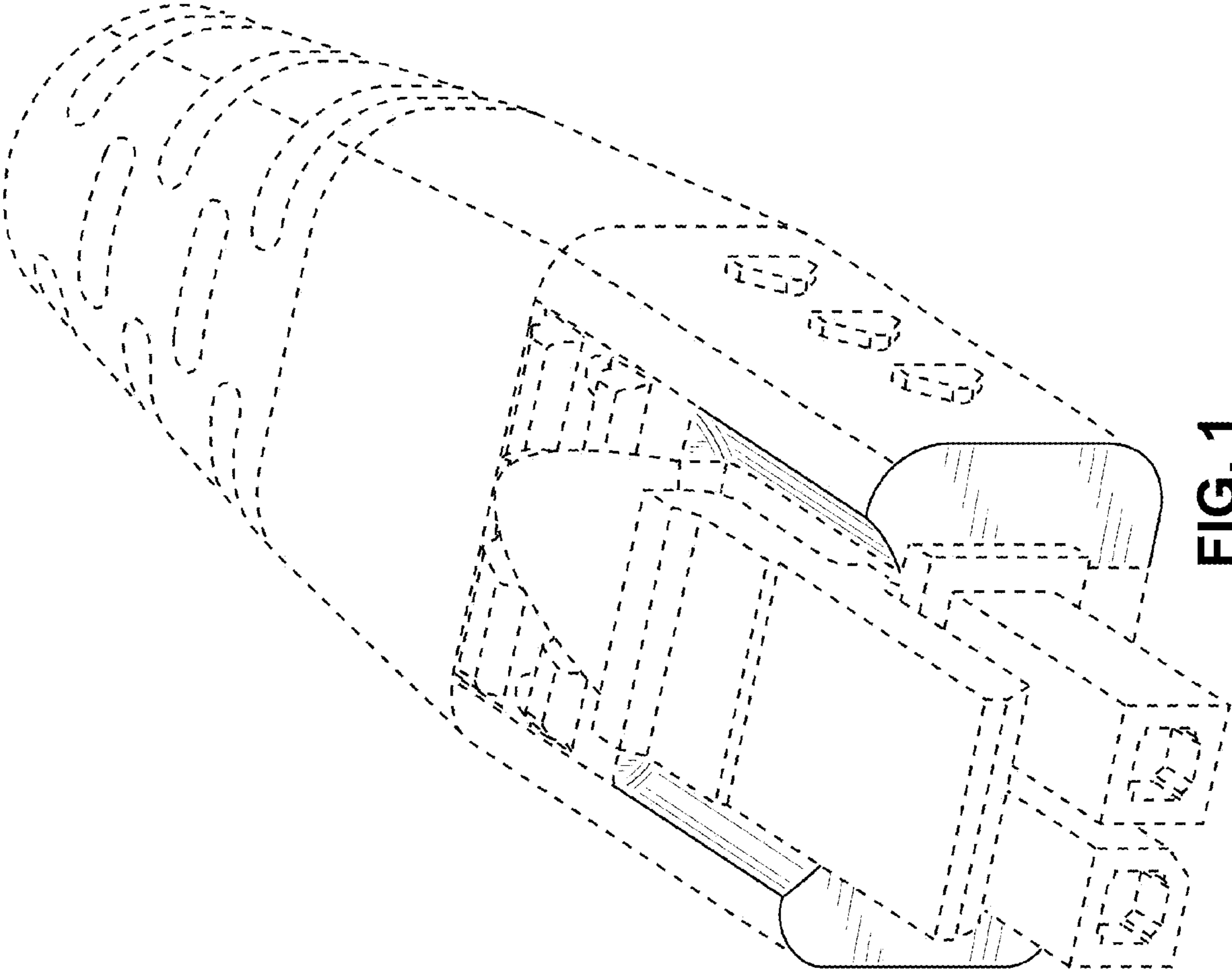


FIG. 1

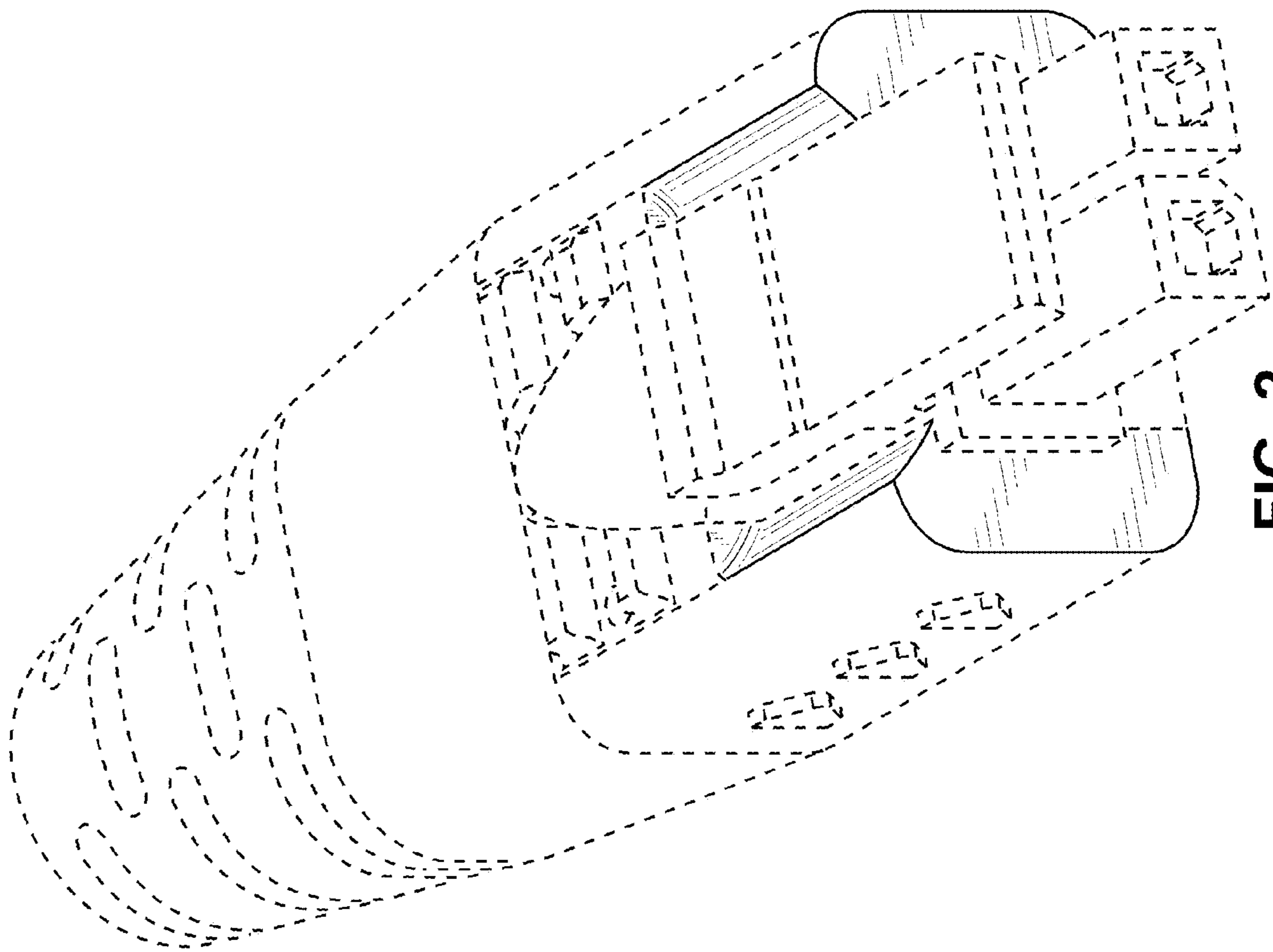


FIG. 2

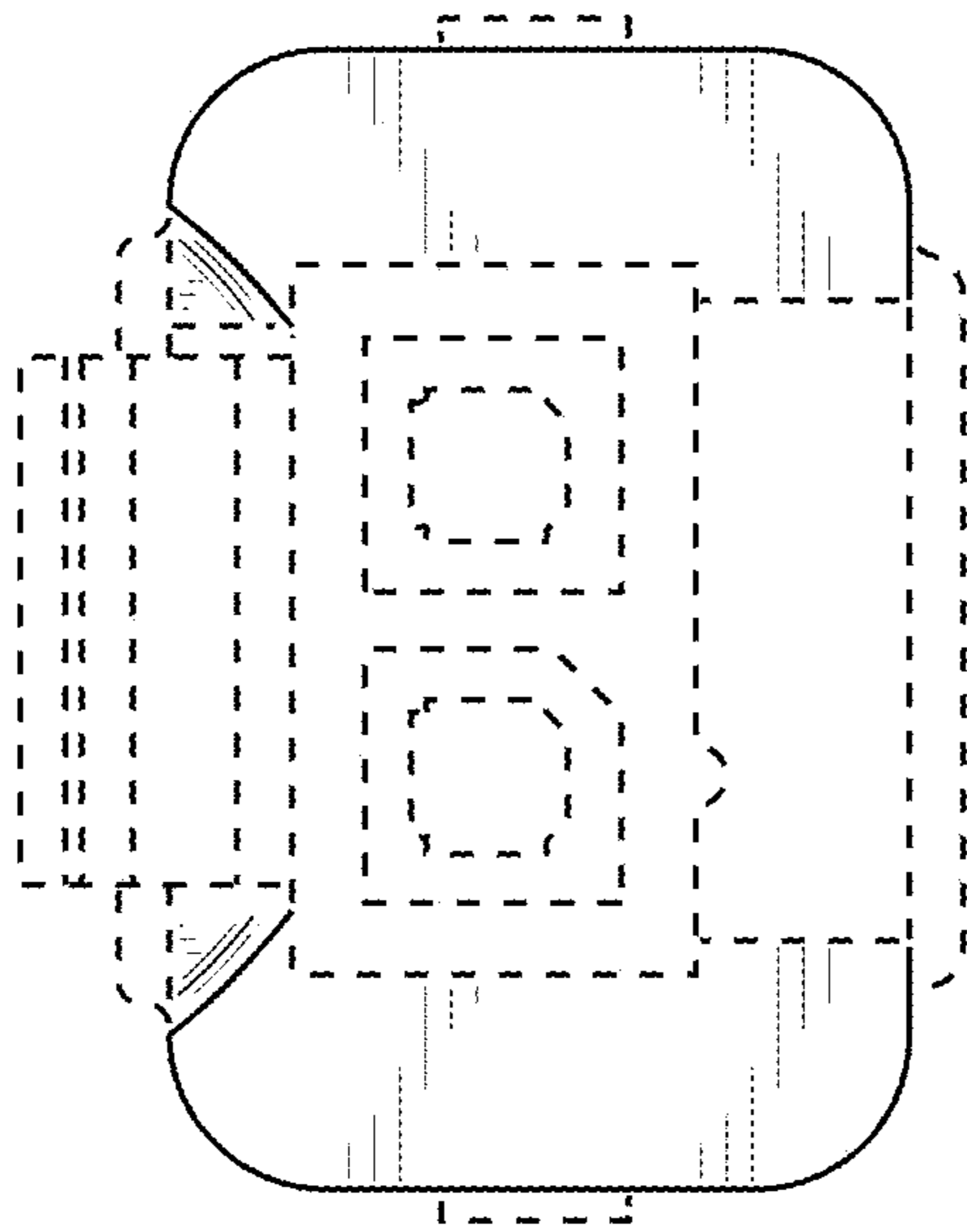


FIG. 3

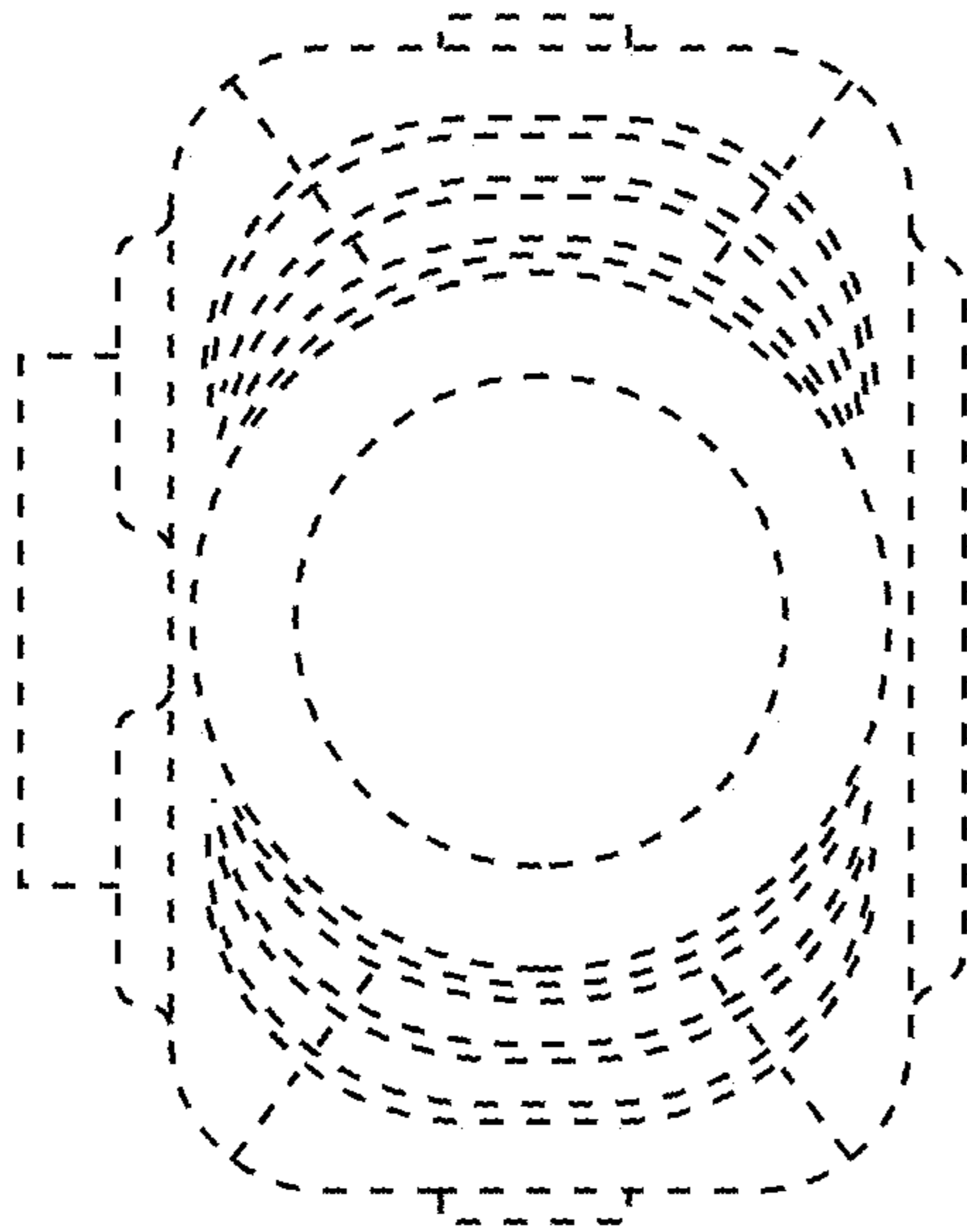


FIG. 4

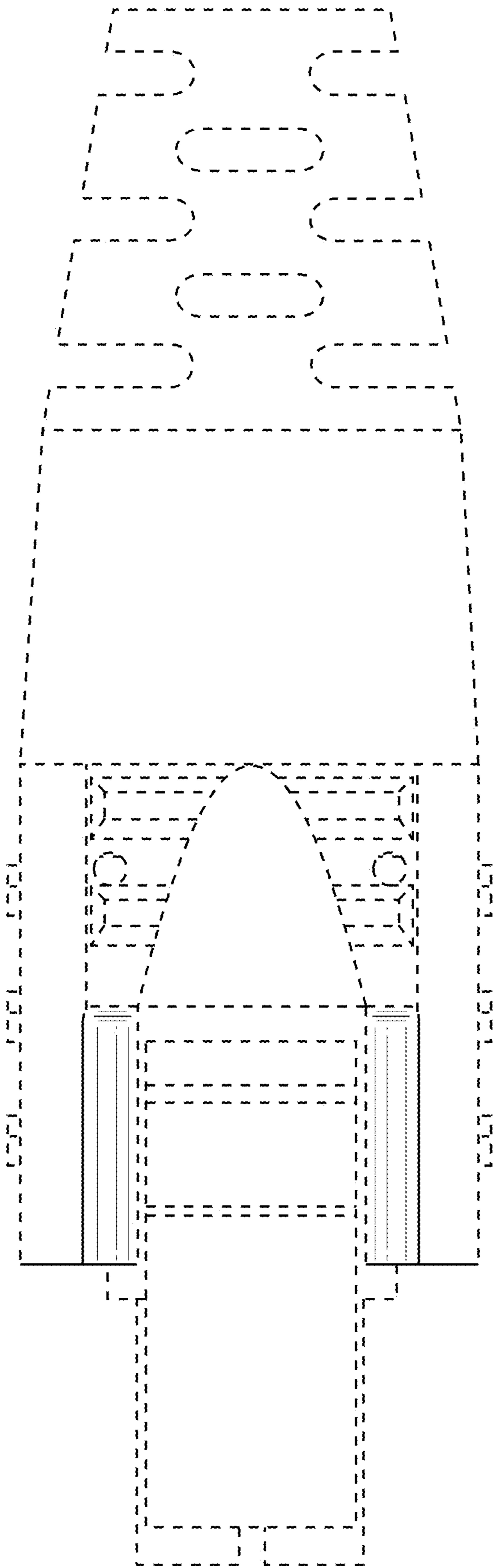


FIG. 5

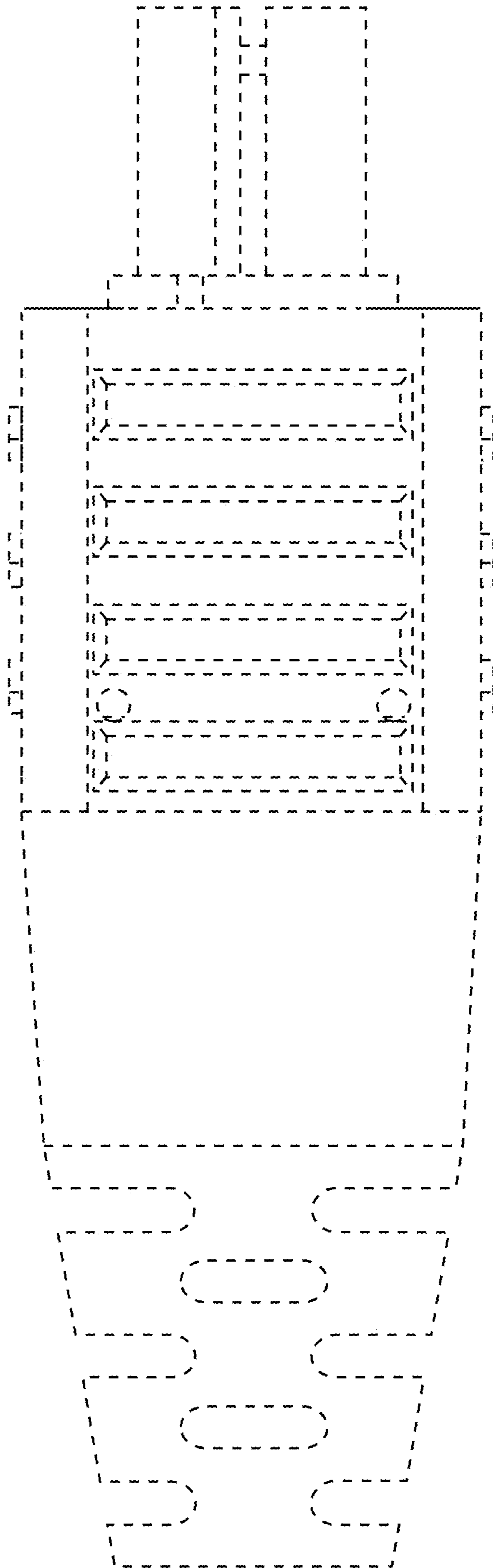


FIG. 6

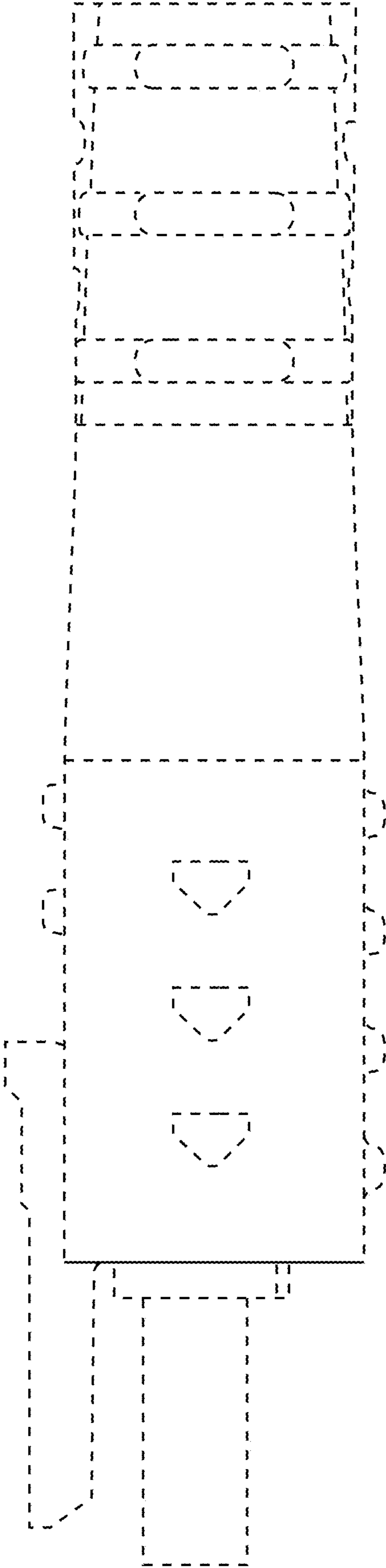


FIG. 7

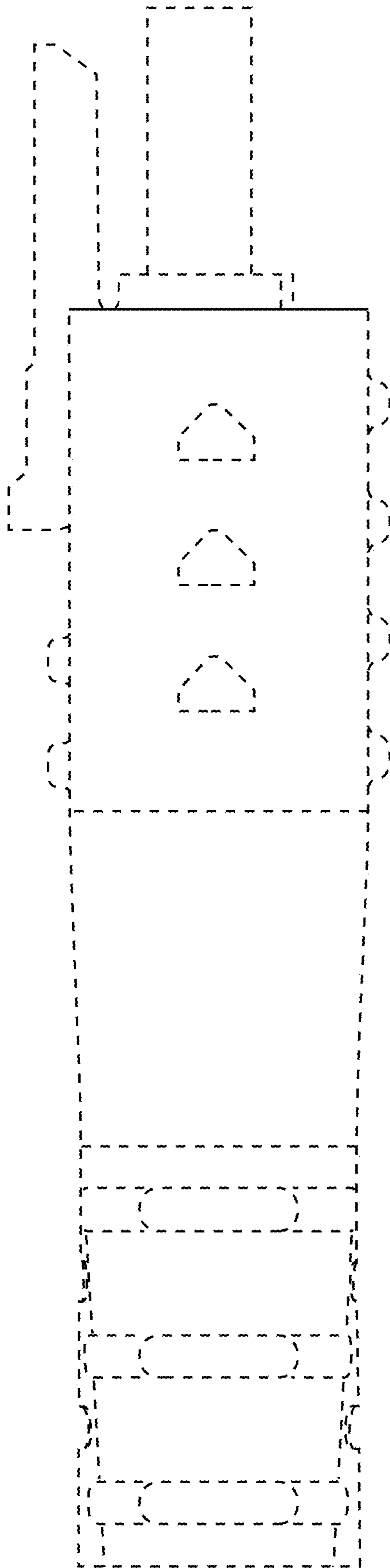


FIG. 8