



US00D958749S

(12) **United States Design Patent**  
**Desai et al.**

(10) **Patent No.:** **US D958,749 S**

(45) **Date of Patent:** **\*\* Jul. 26, 2022**

(54) **CONNECTOR**

(71) Applicant: **Molex, LLC**, Lisle, IL (US)

(72) Inventors: **Ravikanth Desai**, Bengaluru (IN);  
**Rahul Bhaskar**, Bengaluru (IN);  
**Narayan Mithun**, Bengaluru (IN);  
**Kalidindi Ramesh Raju**, Bengaluru (IN);  
**Debashis Sarkar**, Bengaluru (IN)

(73) Assignee: **Molex, LLC**, Lisle, IL (US)

(\*\*) Term: **15 Years**

(21) Appl. No.: **29/753,397**

(22) Filed: **Sep. 30, 2020**

(51) **LOC (13) Cl.** ..... **13-03**

(52) **U.S. Cl.**  
USPC ..... **D13/133**

(58) **Field of Classification Search**  
USPC ..... D13/101, 107, 118, 123, 133, 146, 147,  
D13/149, 153–155, 173, 184, 199  
CPC . G02B 6/38; G02B 6/36; H01R 13/40; H01R  
13/58; H01R 13/627; H01R 24/00; H01R  
31/06; H01R 13/60; H01R 13/66; H01R  
43/18

See application file for complete search history.

(56) **References Cited**

**U.S. PATENT DOCUMENTS**

5,897,503	A	4/1999	Lyon et al.	
D440,205	S *	4/2001	Lord	D13/147
D456,509	S *	4/2002	Schultz	D13/153
D456,781	S *	5/2002	Lord	D13/154
6,428,357	B1	8/2002	Dolinshek et al.	
6,454,604	B1	9/2002	Currie et al.	
6,910,795	B2	6/2005	Luca et al.	
D515,508	S *	2/2006	Lee	D13/147
D540,259	S *	4/2007	Huang	D13/147
D543,148	S *	5/2007	Suckle	D13/146

7,251,409	B2	7/2007	Shakeri	
D550,157	S *	9/2007	Victor	D13/133
D552,560	S *	10/2007	Victor	D13/133
D555,094	S *	11/2007	Victor	D13/133
D576,555	S *	9/2008	Bruseloff	D13/147
D582,353	S *	12/2008	Victor	D13/156
D584,238	S *	1/2009	Victor	D13/156
D596,125	S *	7/2009	Norin	D13/133
D601,974	S *	10/2009	Igarashi	D13/154
D627,733	S *	11/2010	Stutz	D13/147
7,850,476	B2	12/2010	Good	
7,892,012	B1	2/2011	Foung	
RE42,230	E *	3/2011	Norin	D13/133

(Continued)

*Primary Examiner* — Shawn T Gingrich

(74) *Attorney, Agent, or Firm* — Banner & Witcoff, Ltd.

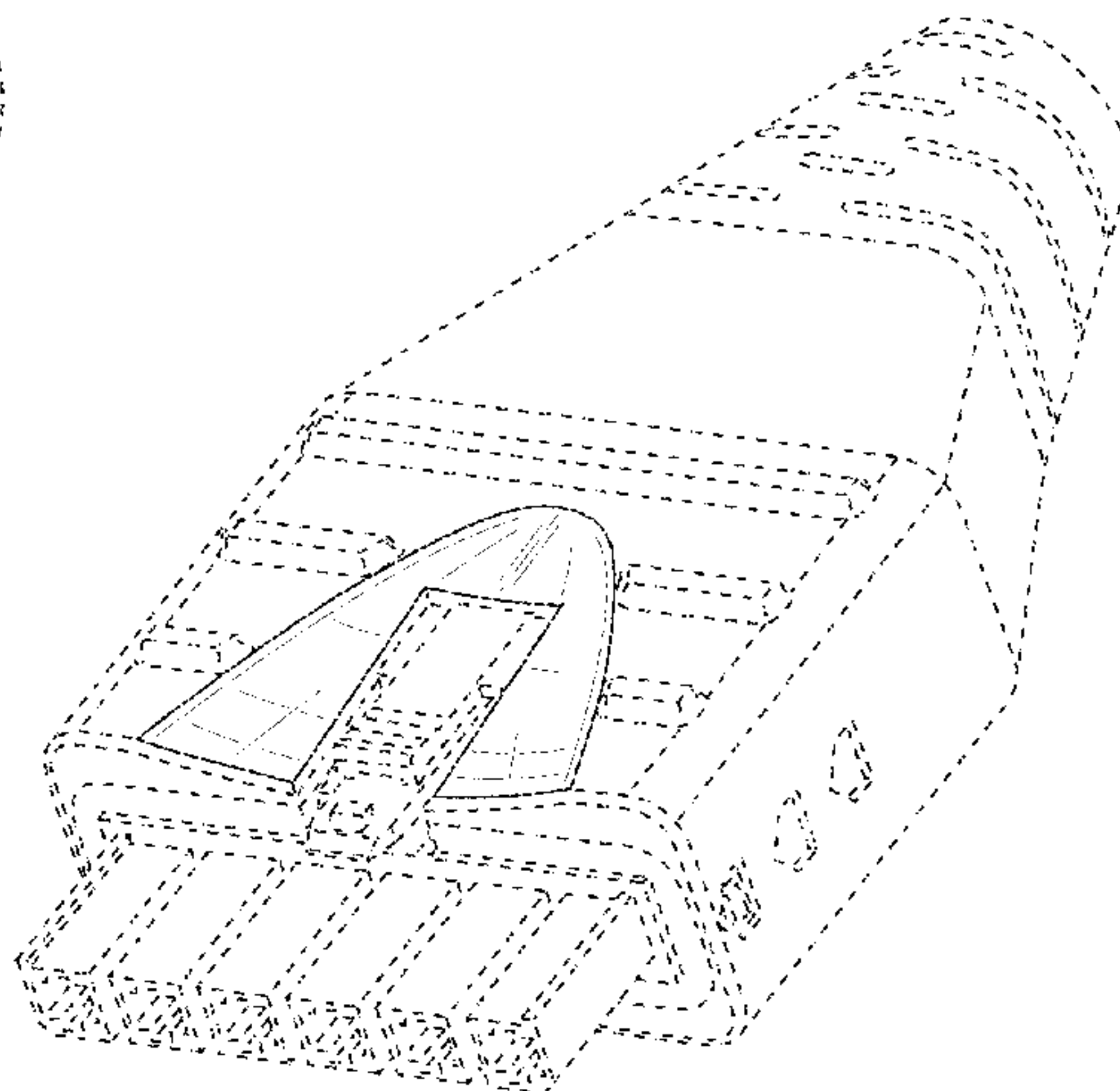
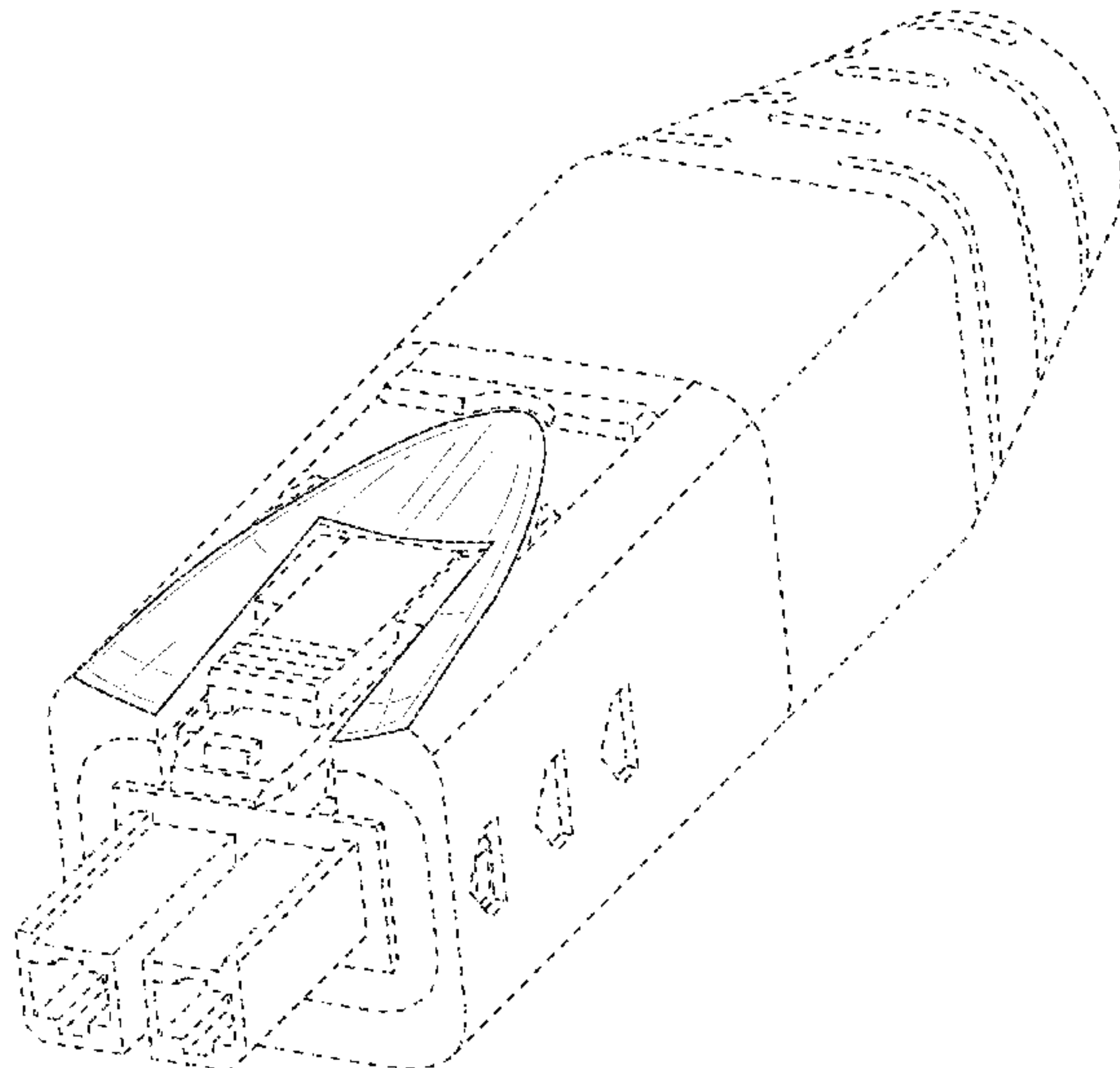
(57) **CLAIM**

The ornamental design for a connector, as shown and described.

**DESCRIPTION**

FIG. 1 is a front top perspective view of a connector showing our new design;  
 FIG. 2 is a front view thereof;  
 FIG. 3 is a rear view thereof;  
 FIG. 4 is a top view thereof;  
 FIG. 5 is a bottom view thereof;  
 FIG. 6 is a right side view thereof;  
 FIG. 7 is a left side view thereof;  
 FIG. 8 is a front top perspective view of a connector in an alternative embodiment;  
 FIG. 9 is a front view thereof;  
 FIG. 10 is a rear view thereof;  
 FIG. 11 is a top view thereof;  
 FIG. 12 is a bottom view thereof;  
 FIG. 13 is a right side view thereof; and,  
 FIG. 14 is a left side view thereof.  
 The broken lines depicting the remainder of the connector form no part of the claimed design.

**1 Claim, 14 Drawing Sheets**



(56)

**References Cited**

U.S. PATENT DOCUMENTS

RE42,303 E \* 4/2011 Norin ..... D13/133  
7,976,329 B2 7/2011 Fong  
D682,211 S \* 5/2013 Nelson ..... D13/137.2  
D688,629 S \* 8/2013 Spilker ..... D13/133  
D696,631 S \* 12/2013 Price ..... D13/147  
D719,914 S \* 12/2014 Wu ..... D13/138.1  
9,429,732 B2 8/2016 Ahmed et al.  
D784,263 S \* 4/2017 Xu ..... D13/138.2  
D784,931 S \* 4/2017 Fries ..... D13/153  
D906,249 S \* 12/2020 Hasan ..... D13/137.1  
2015/0071592 A1 \* 3/2015 Zimmel ..... G02B 6/3889  
385/80

\* cited by examiner

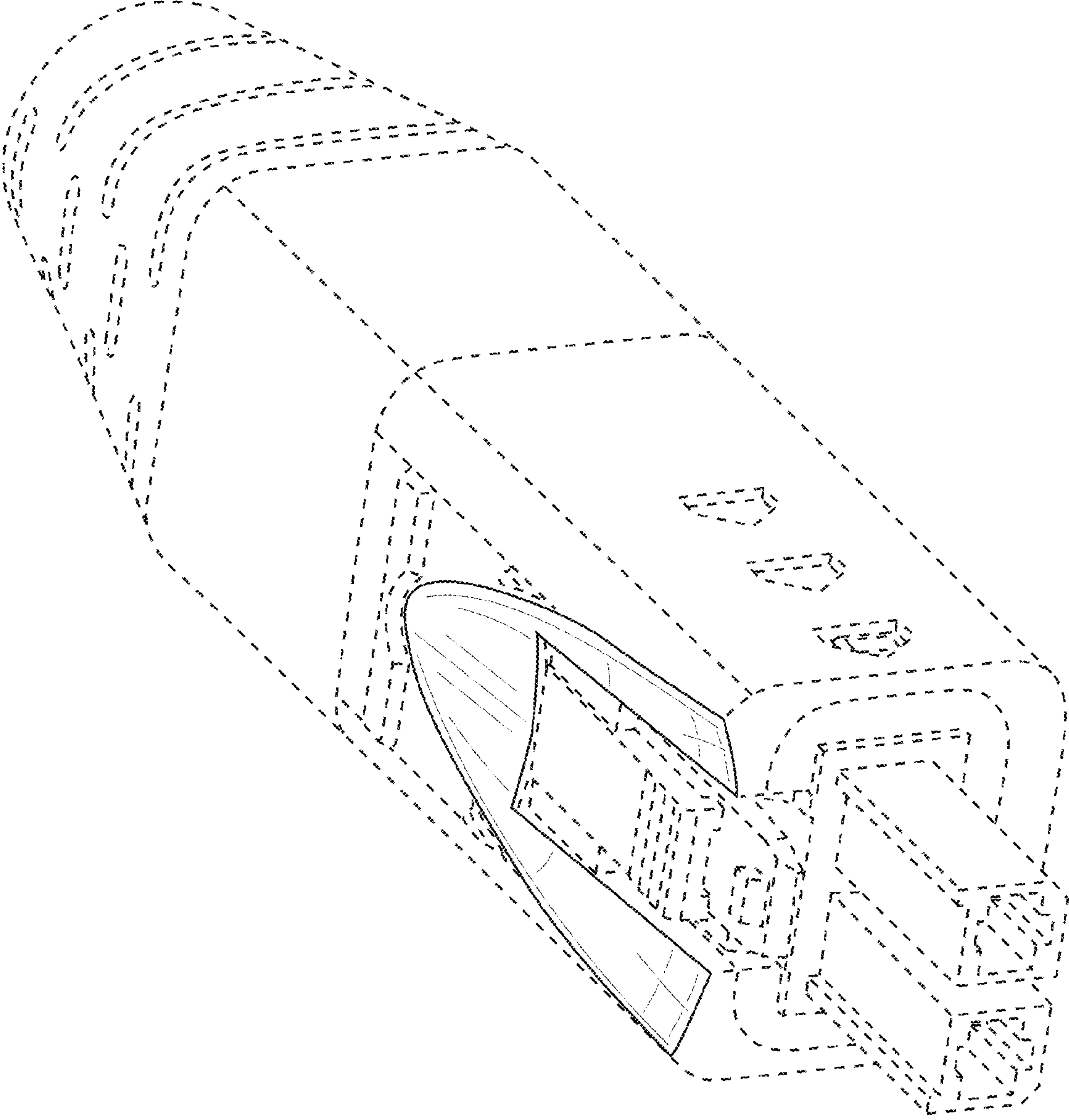


FIG. 1

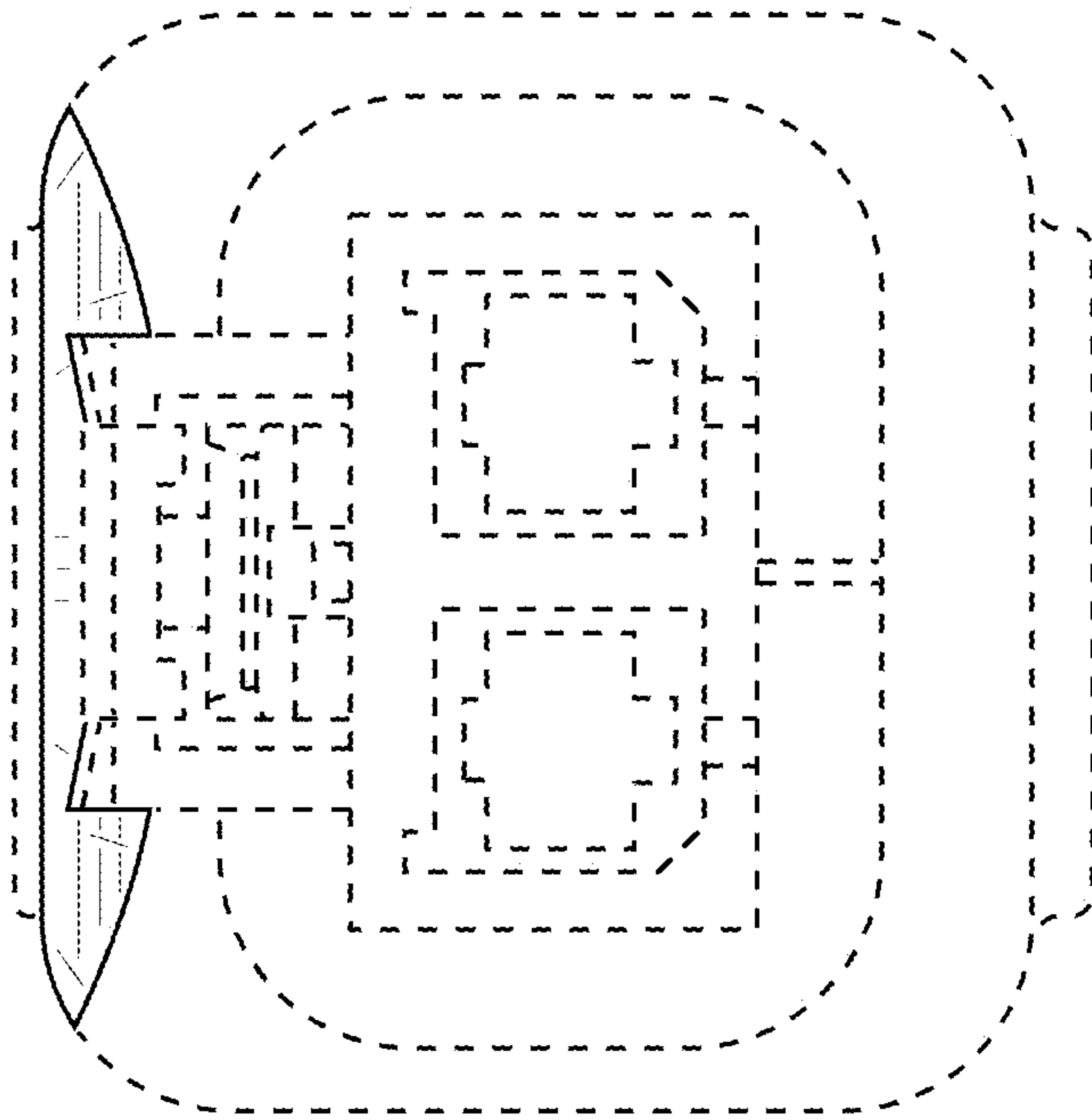
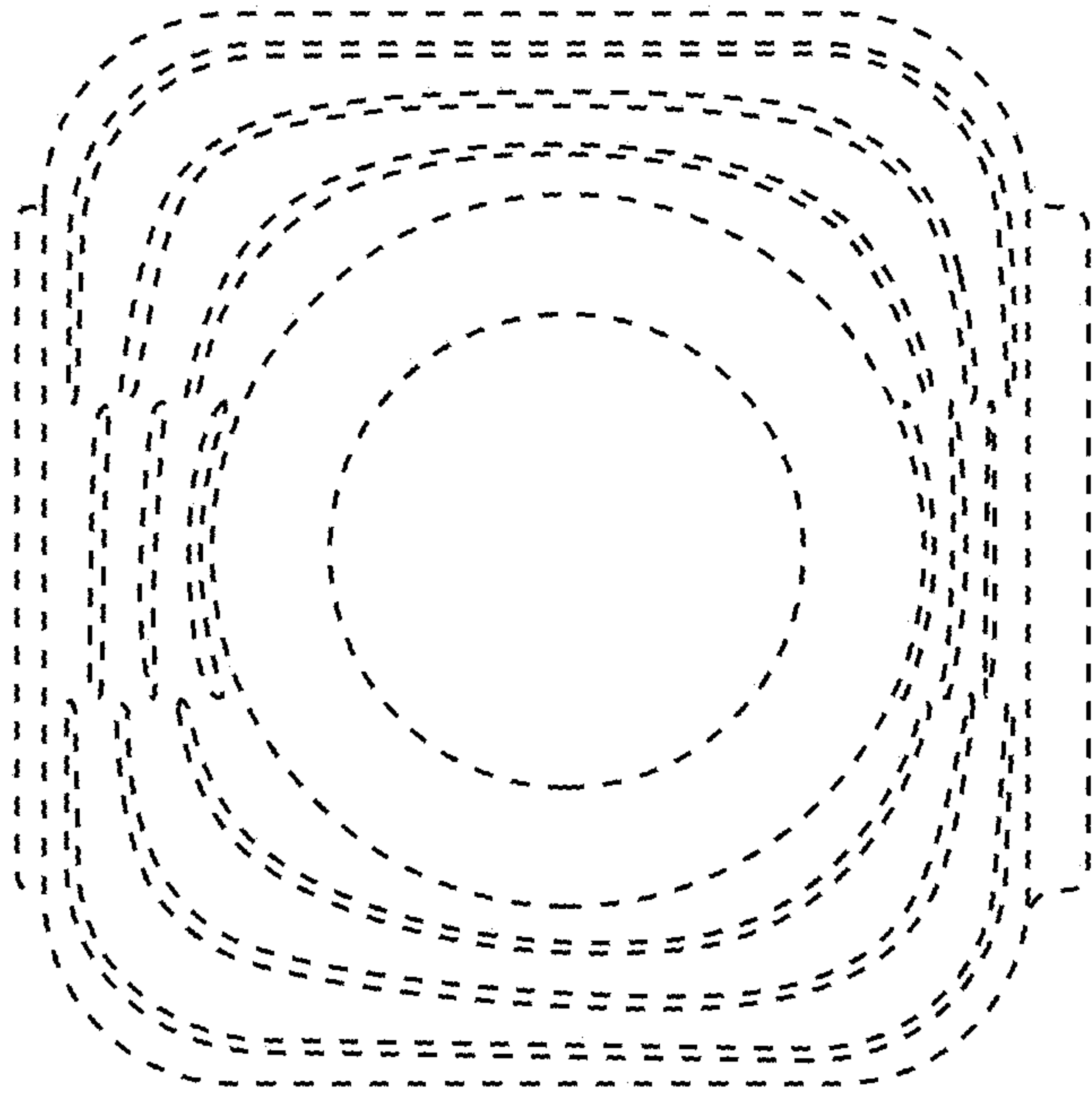


FIG. 2



**FIG. 3**

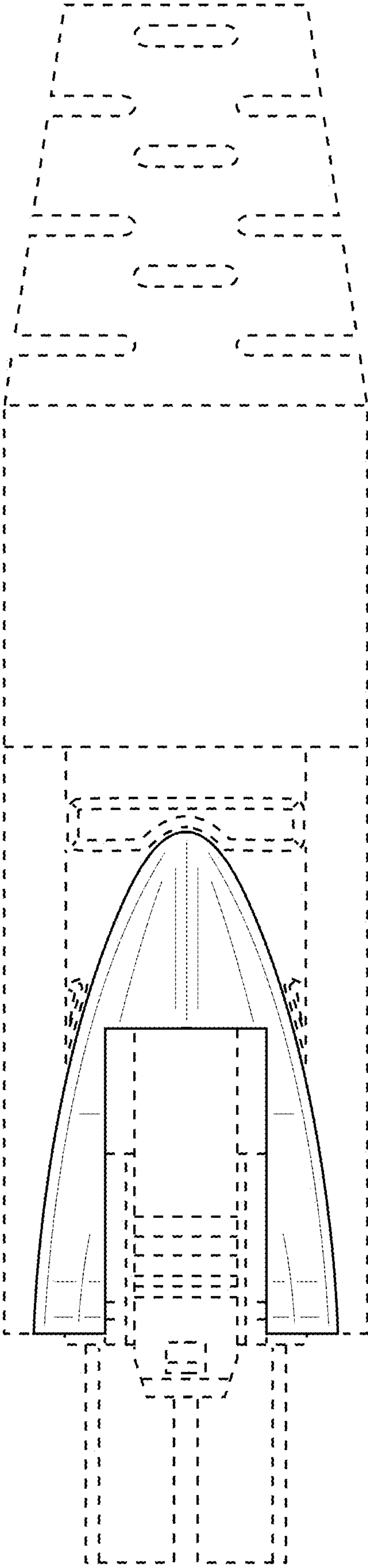
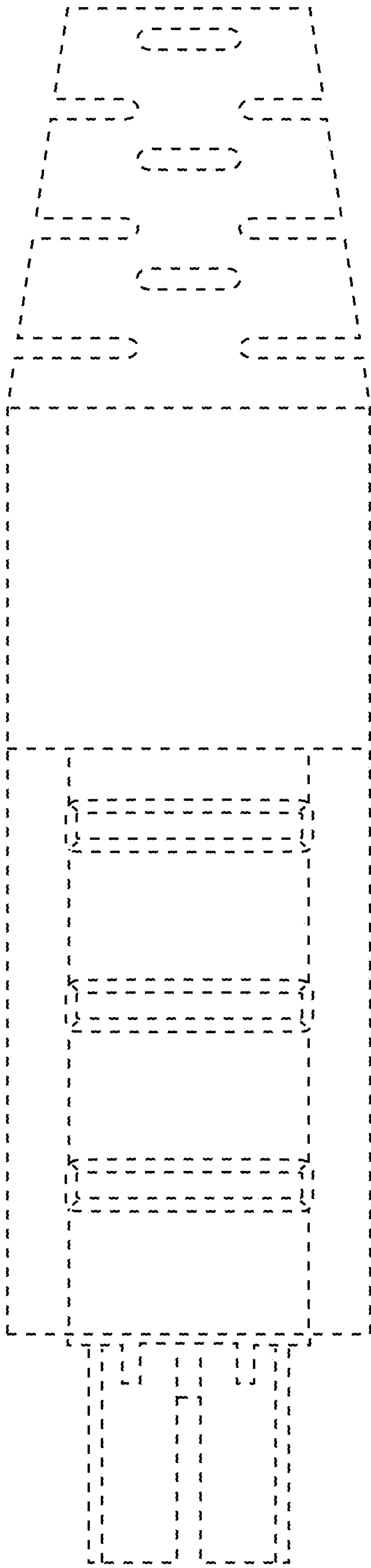


FIG. 4





**FIG. 5**

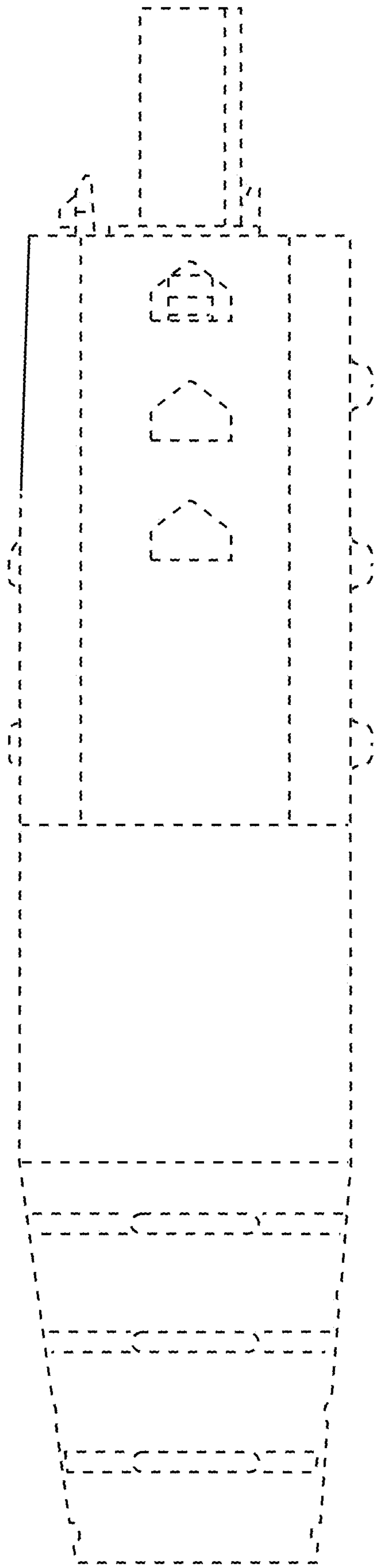


FIG. 6



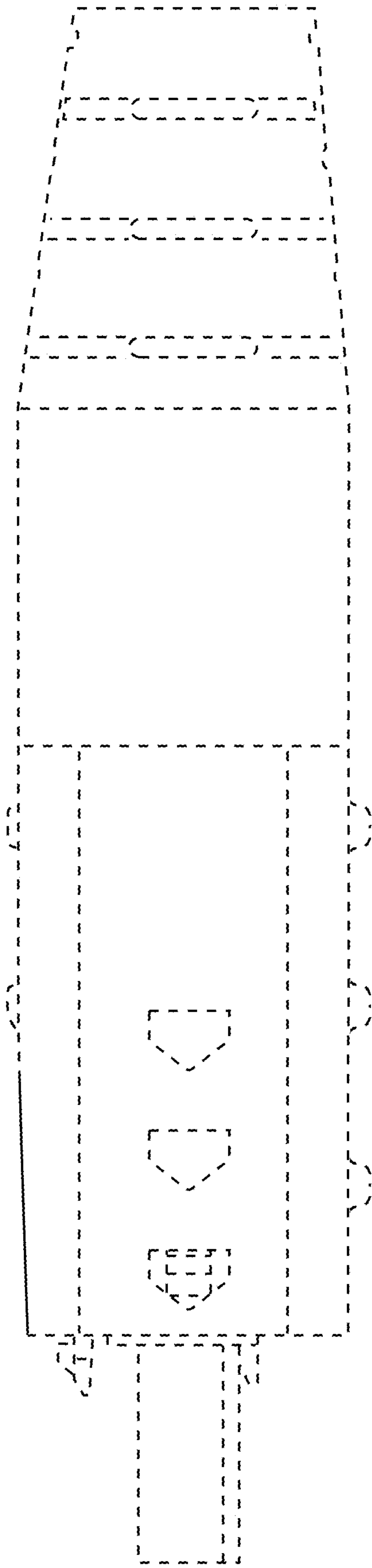


FIG. 7

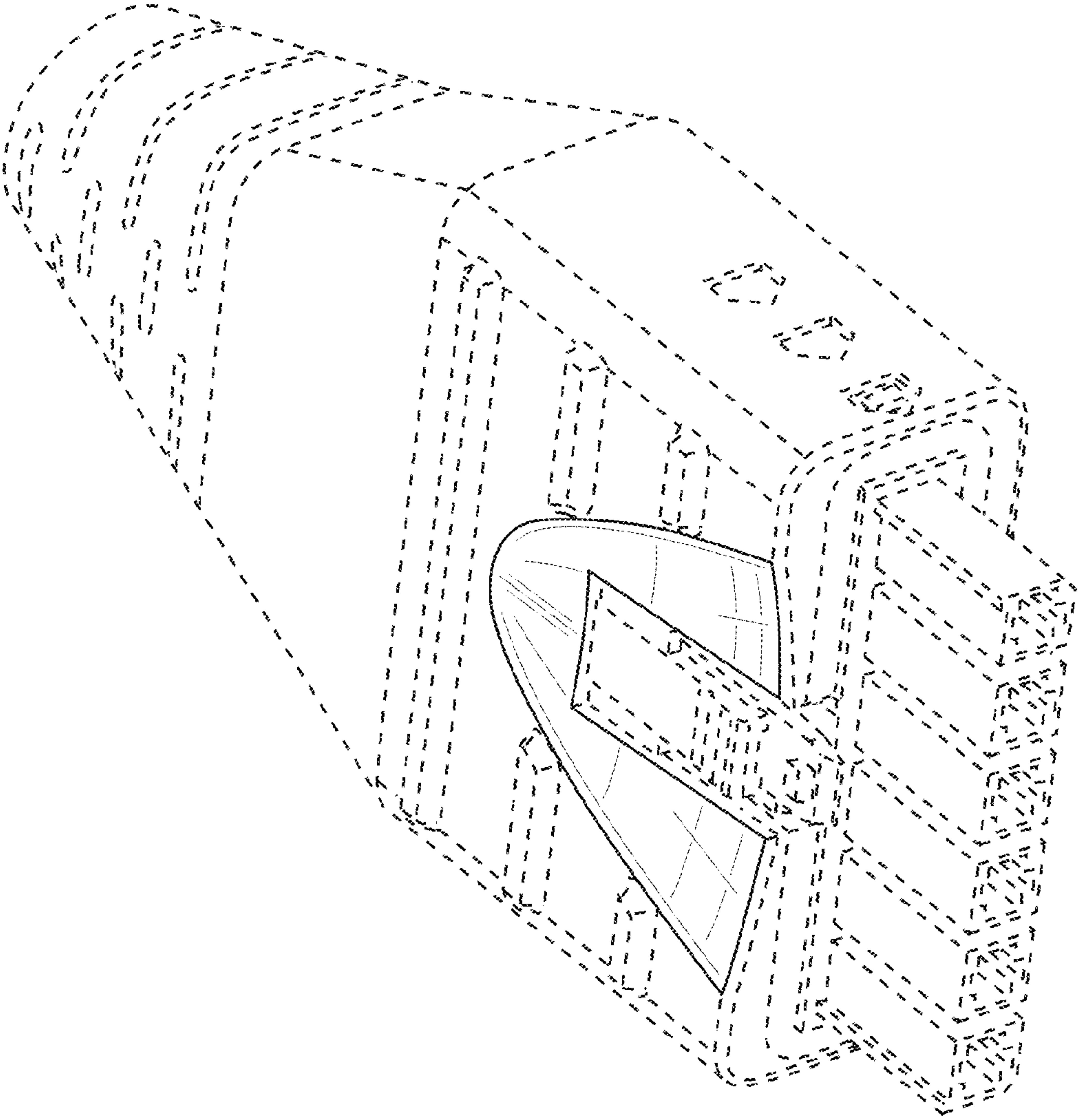


FIG. 8

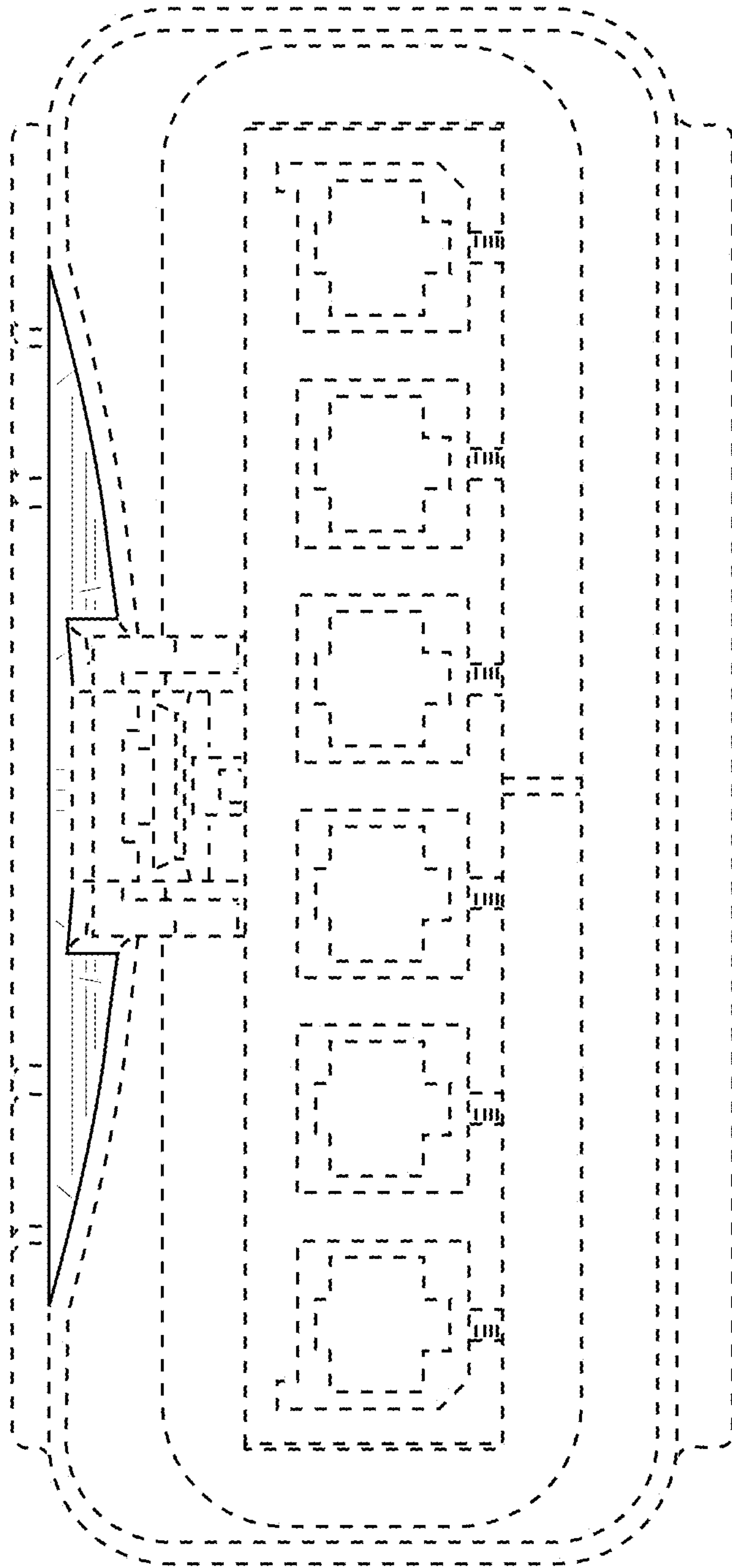


FIG. 9

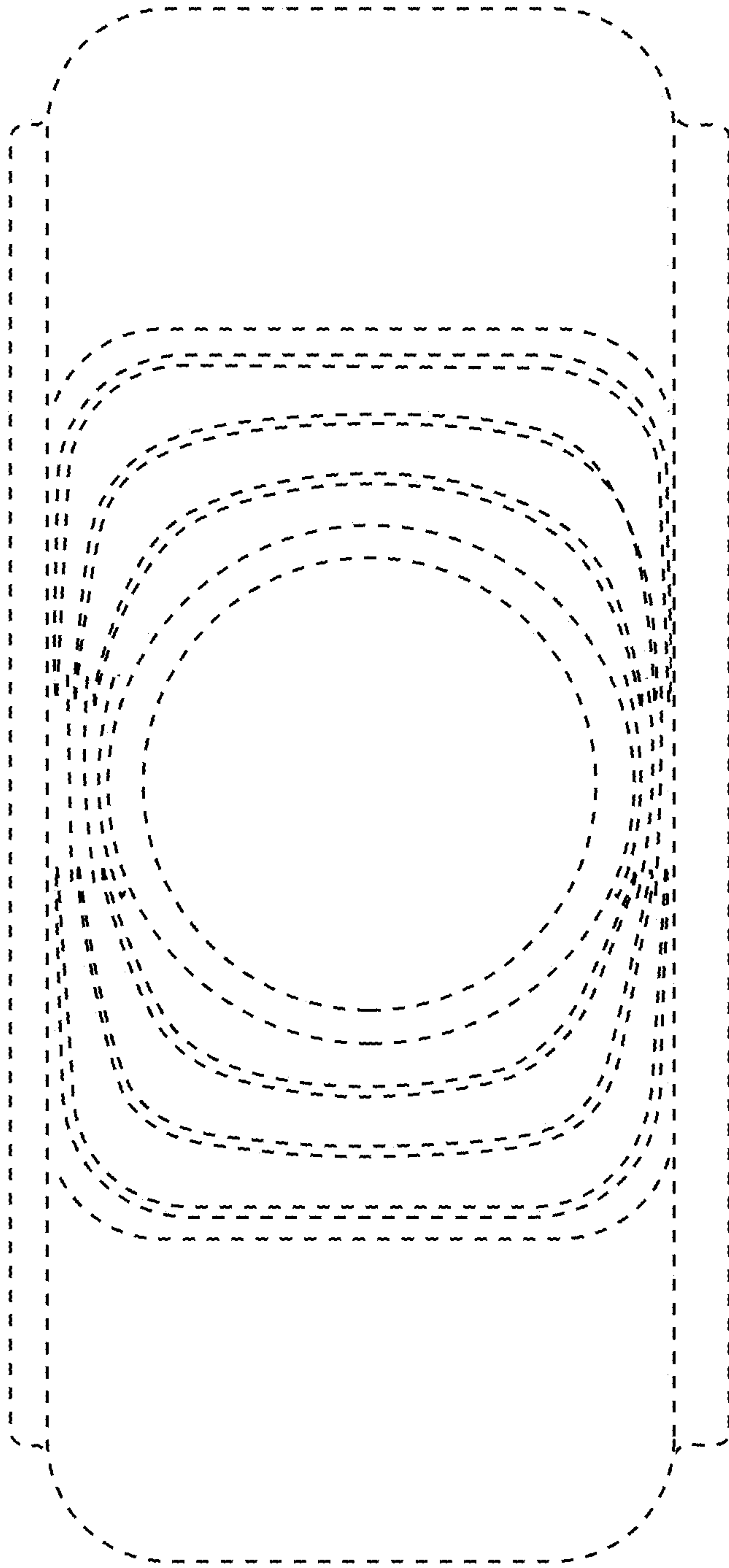


FIG. 10

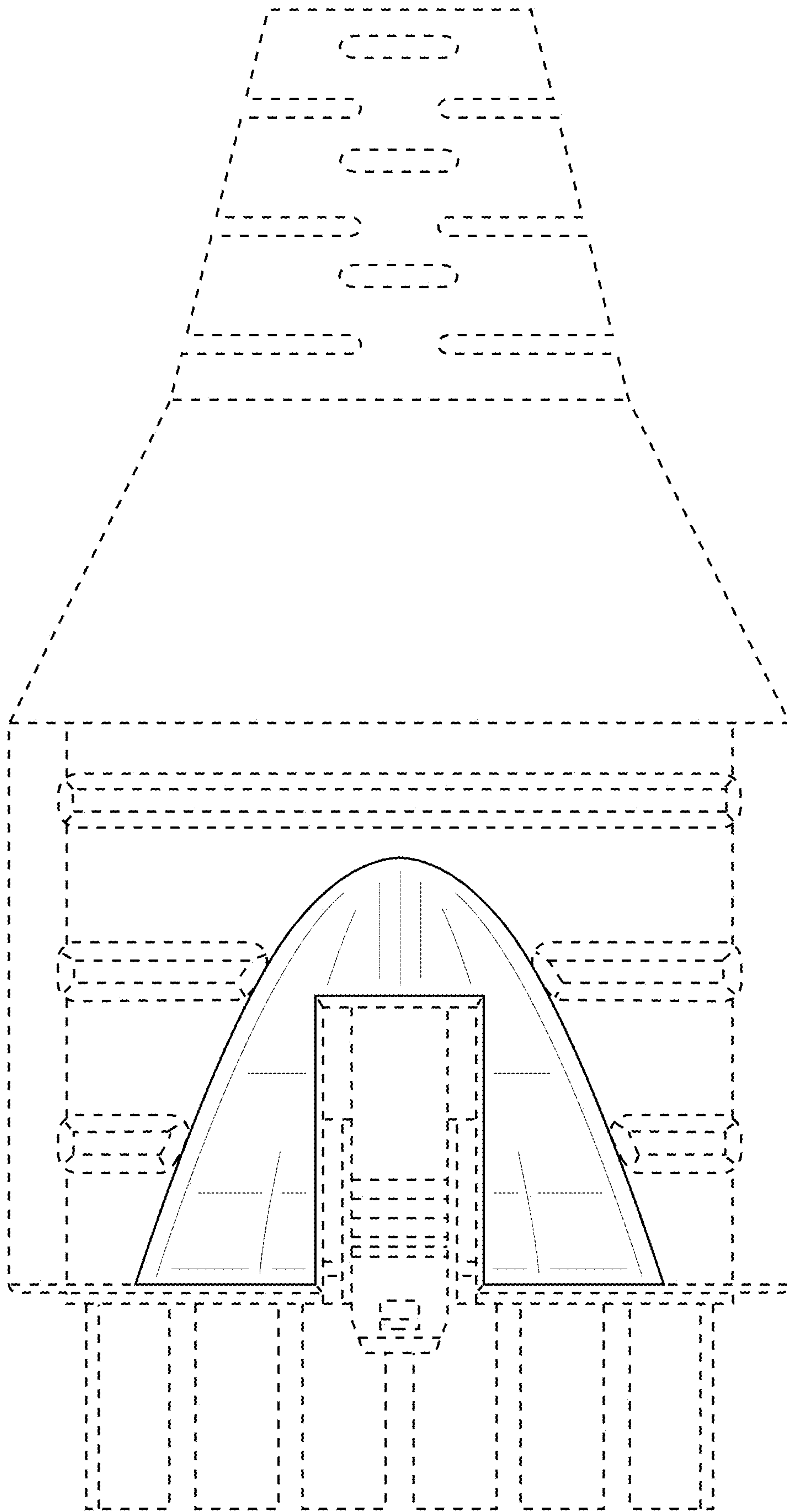


FIG. 11

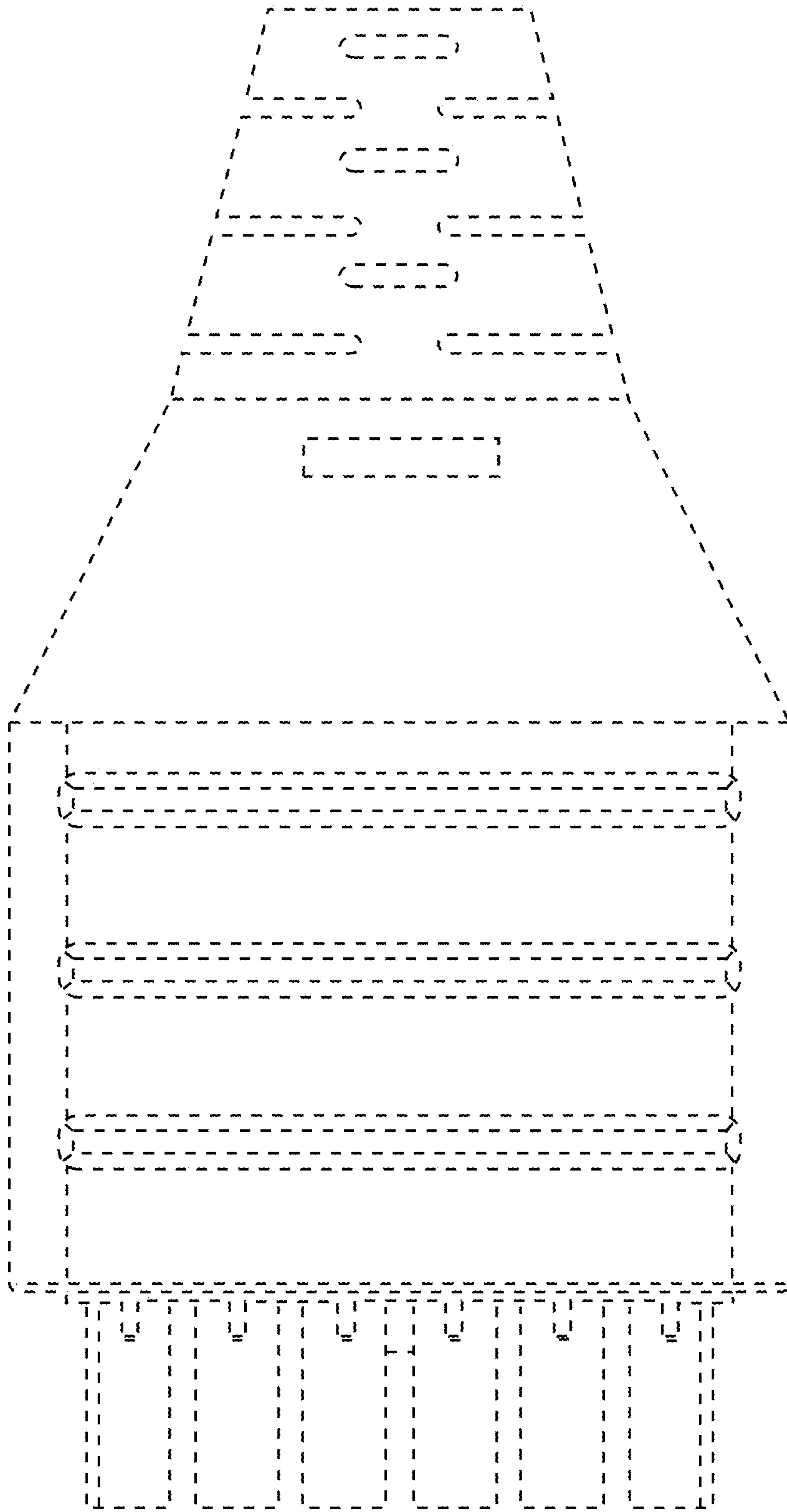


FIG. 12

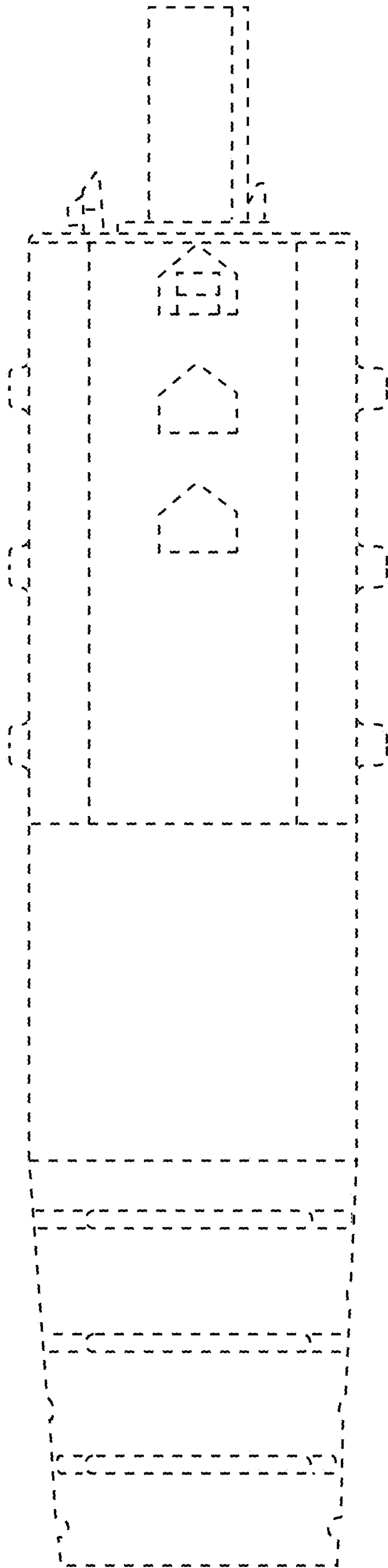
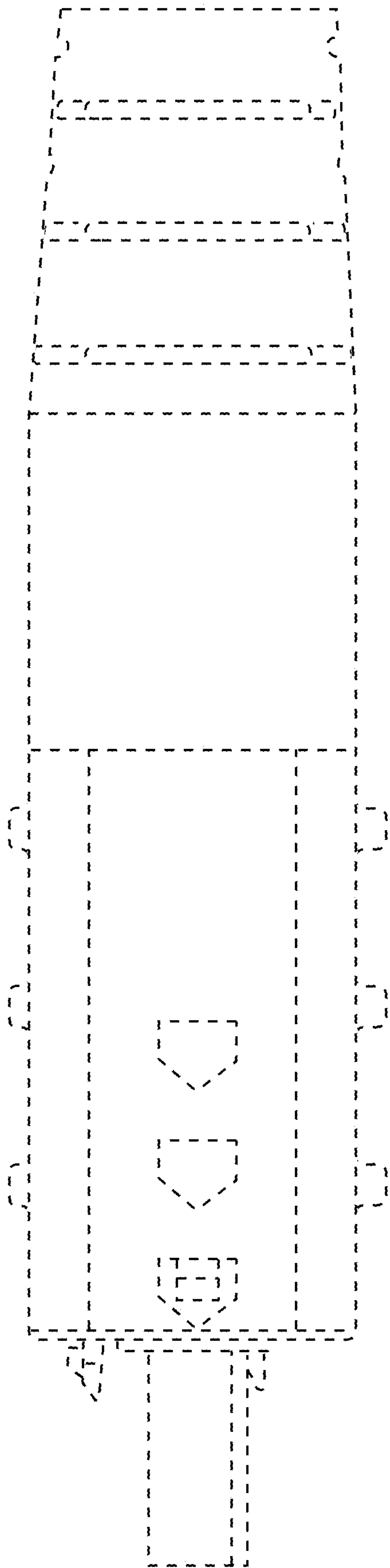


FIG. 13





**FIG. 14**