



US00D958748S

(12) **United States Design Patent** (10) **Patent No.:** **US D958,748 S**
Desai et al. (45) **Date of Patent:** **** Jul. 26, 2022**

- (54) **CONNECTOR**
- (71) Applicant: **Molex, LLC**, Lisle, IL (US)
- (72) Inventors: **Ravikanth Desai**, Bengaluru (IN);
Rahul Bhaskar, Bengaluru (IN);
Narayan Mithun, Bengaluru (IN);
Kalidindi Ramesh Raju, Bengaluru (IN);
Debashis Sarkar, Bengaluru (IN)
- (73) Assignee: **Molex, LLC**, Lisle, IL (US)
- (**) Term: **15 Years**
- (21) Appl. No.: **29/753,385**
- (22) Filed: **Sep. 30, 2020**
- (51) **LOC (13) Cl.** **13-03**
- (52) **U.S. Cl.**
USPC **D13/133**
- (58) **Field of Classification Search**
USPC D13/101, 107, 118, 123, 133, 146, 147,
D13/149, 153-155, 173, 184, 199
CPC . G02B 6/38; G02B 6/36; H01R 13/40; H01R
13/58; H01R 13/627; H01R 24/00; H01R
31/06; H01R 13/60; H01R 13/66; H01R
43/18
See application file for complete search history.

(56) **References Cited**

U.S. PATENT DOCUMENTS

D366,242 S *	1/1996	Goto	D13/147
5,897,503 A	4/1999	Lyon et al.		
D412,883 S *	8/1999	Nakazawa	D13/146
D413,100 S *	8/1999	Nakazawa	D13/146
D425,738 S *	5/2000	Lubowicz	D6/520
6,428,357 B1	8/2002	Dolinshek et al.		
6,454,604 B1	9/2002	Currie et al.		
6,524,015 B1 *	2/2003	Cheng	G02B 6/3846 385/76
D485,240 S *	1/2004	Kuroki	D13/147

D486,794 S *	2/2004	Okamoto	D13/147
6,910,795 B2	6/2005	Luca et al.		
7,251,409 B2	7/2007	Shakeri		
D582,353 S *	12/2008	Victor	D13/156
7,850,476 B2	12/2010	Good		
7,892,012 B1	2/2011	Foung		
7,938,670 B2 *	5/2011	Nania	H01R 13/6599 439/354
7,976,329 B2	7/2011	Foung		
8,052,335 B2 *	11/2011	Kasbeer-Betty	G02B 6/4284 385/14
D691,093 S *	10/2013	Yu	D13/147
D751,505 S *	3/2016	Katagiyama	D13/133
D763,199 S *	8/2016	Katagiyama	D13/156
9,429,732 B2	8/2016	Ahmed et al.		

* cited by examiner

Primary Examiner — Shawn T Gingrich

(74) Attorney, Agent, or Firm — Banner & Witcoff, Ltd.

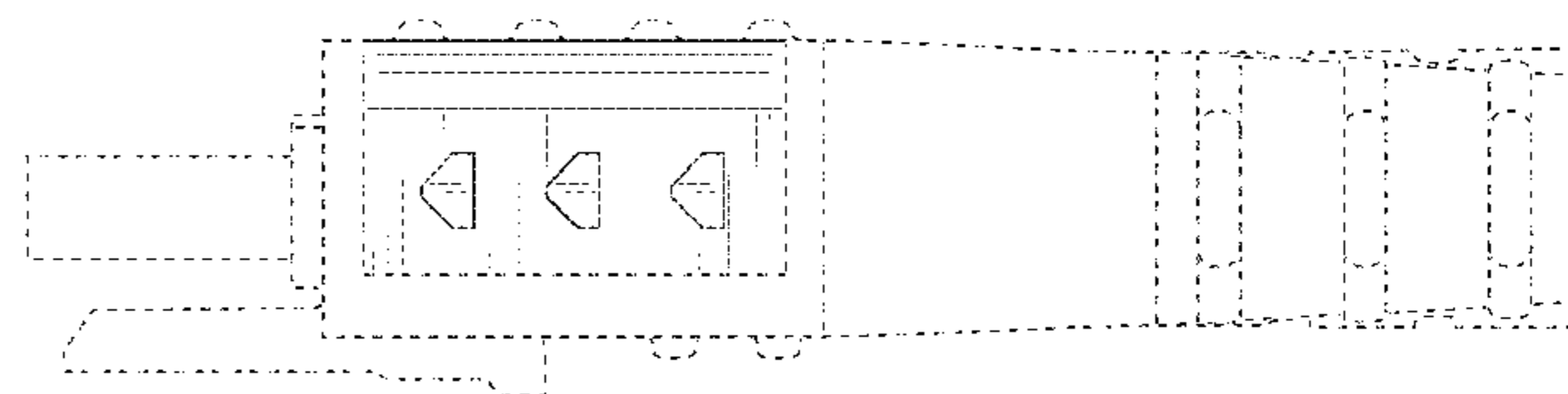
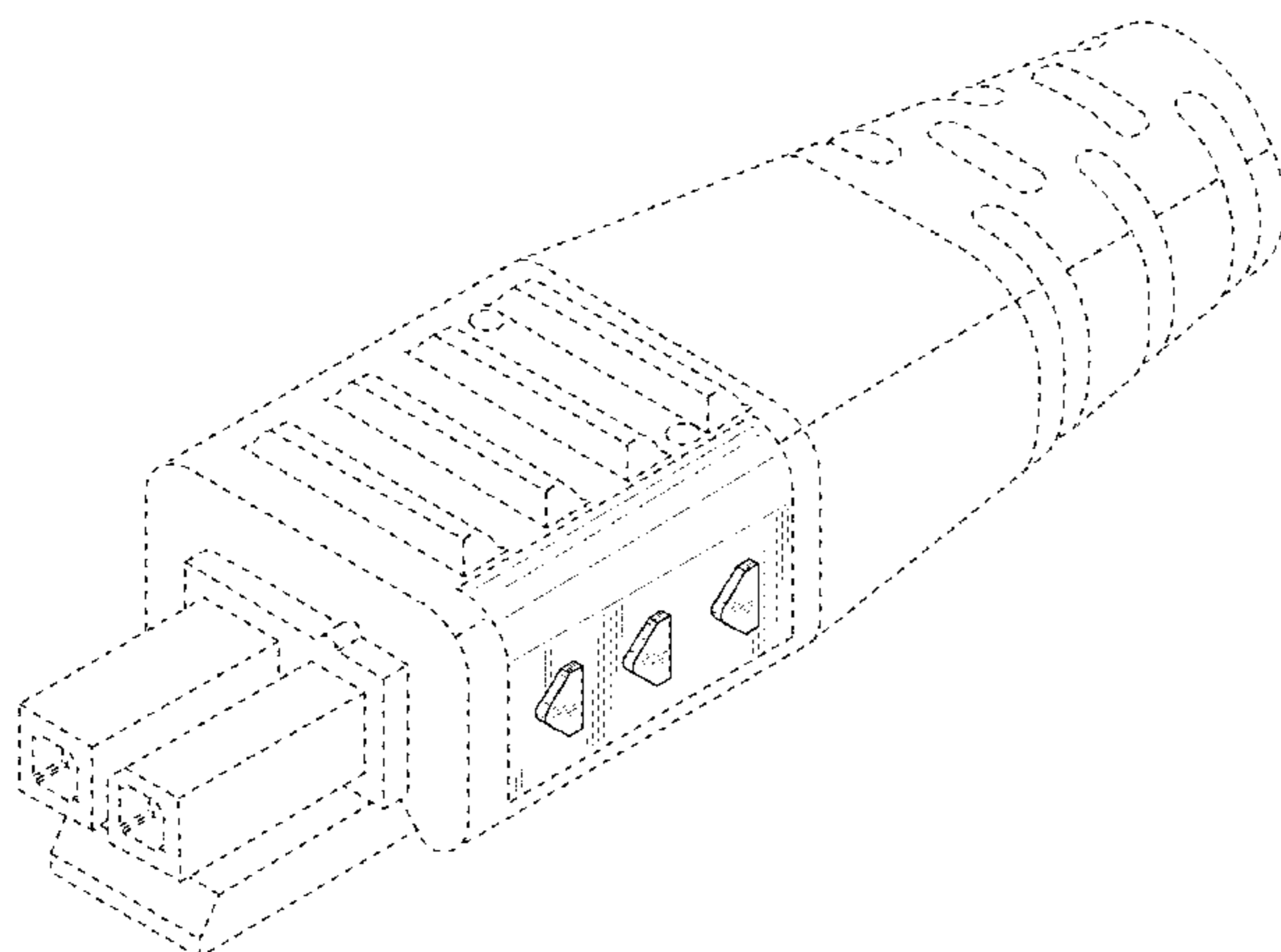
(57) **CLAIM**

The ornamental design for a connector, as shown and described.

DESCRIPTION

FIG. 1 is a front bottom perspective view of a connector showing our new design;
FIG. 2 is a right side view thereof;
FIG. 3 is a left side view thereof;
FIG. 4 is a bottom view thereof;
FIG. 5 is a top view thereof;
FIG. 6 is a front view thereof;
FIG. 7 is a rear view thereof; and,
FIG. 8 is a front top perspective view thereof.
The broken lines immediately adjacent to and surrounding the shaded area represent the peripheral bounds of the claimed design and form no part thereof. The broken lines depicting the remainder of the connector form no part of the claimed design.

1 Claim, 8 Drawing Sheets



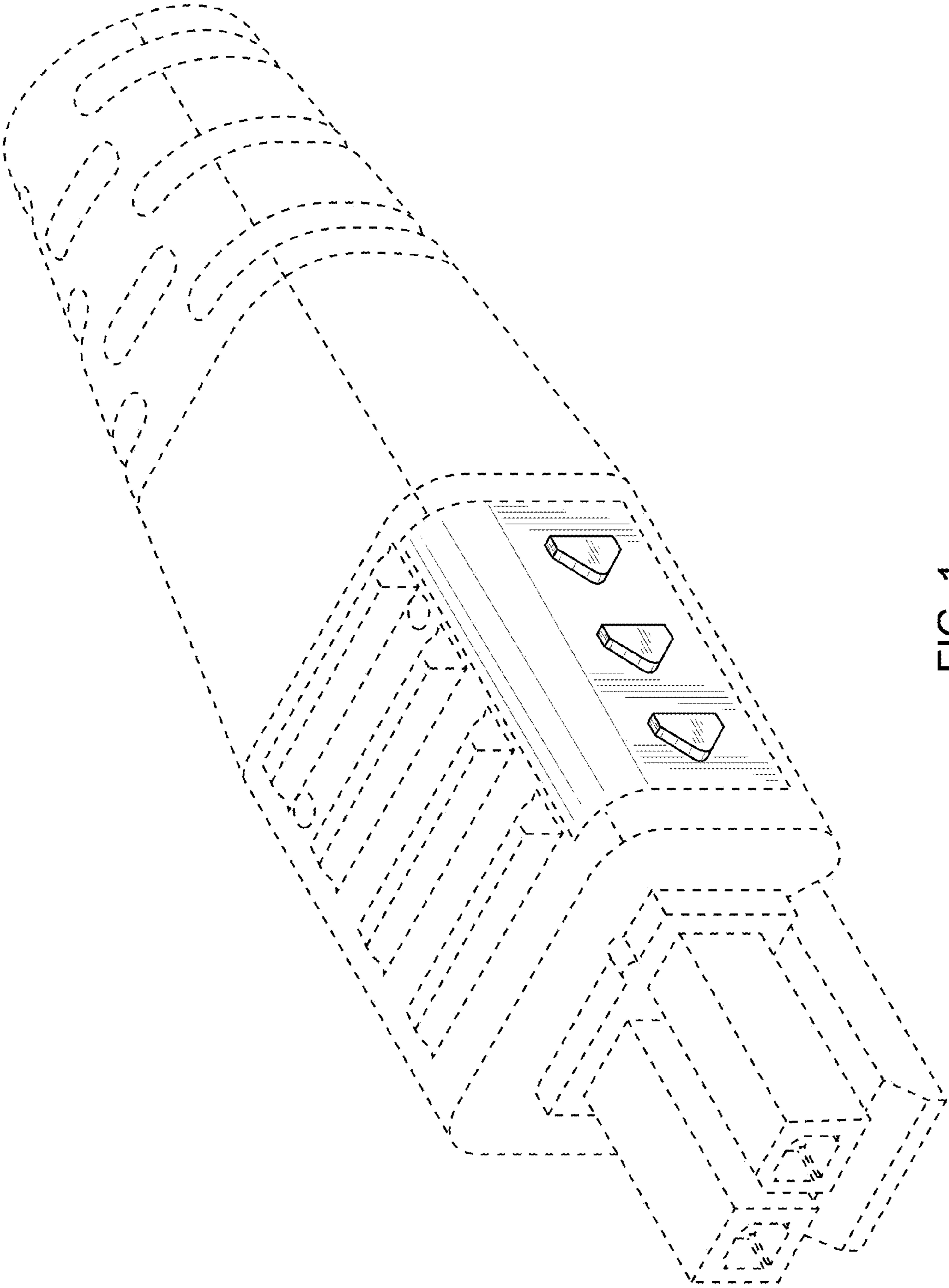


FIG. 1

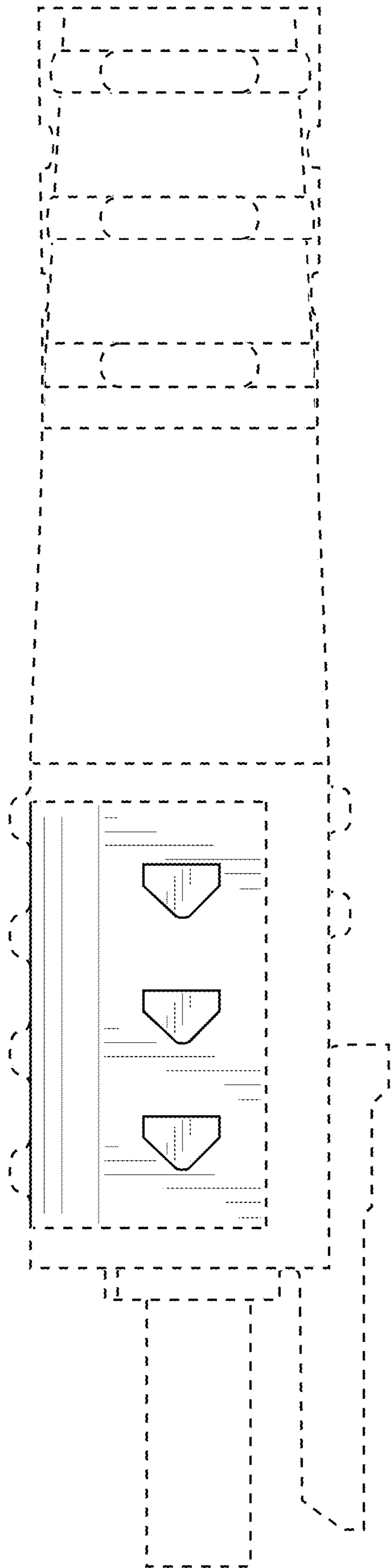


FIG. 2

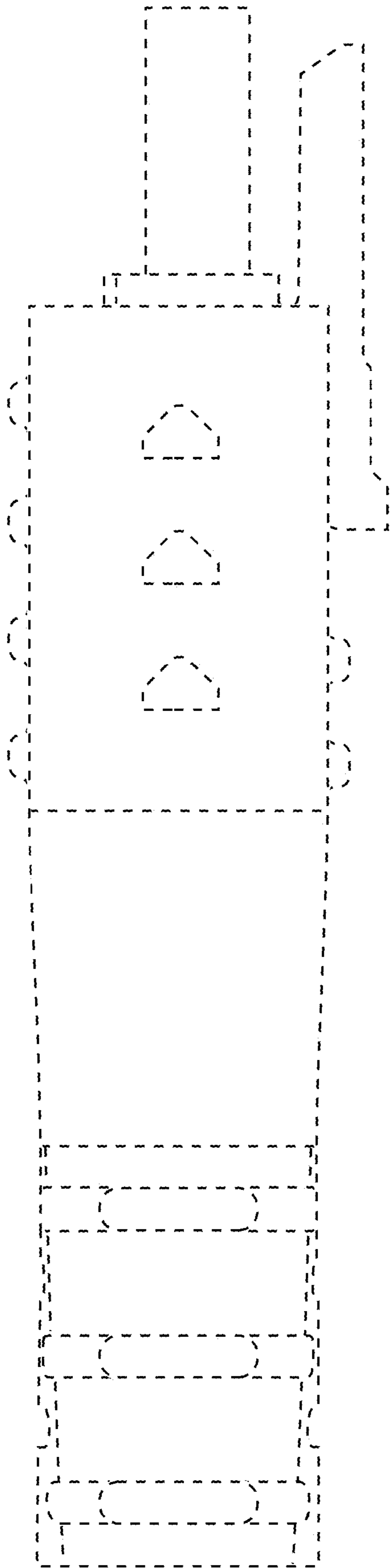


FIG. 3

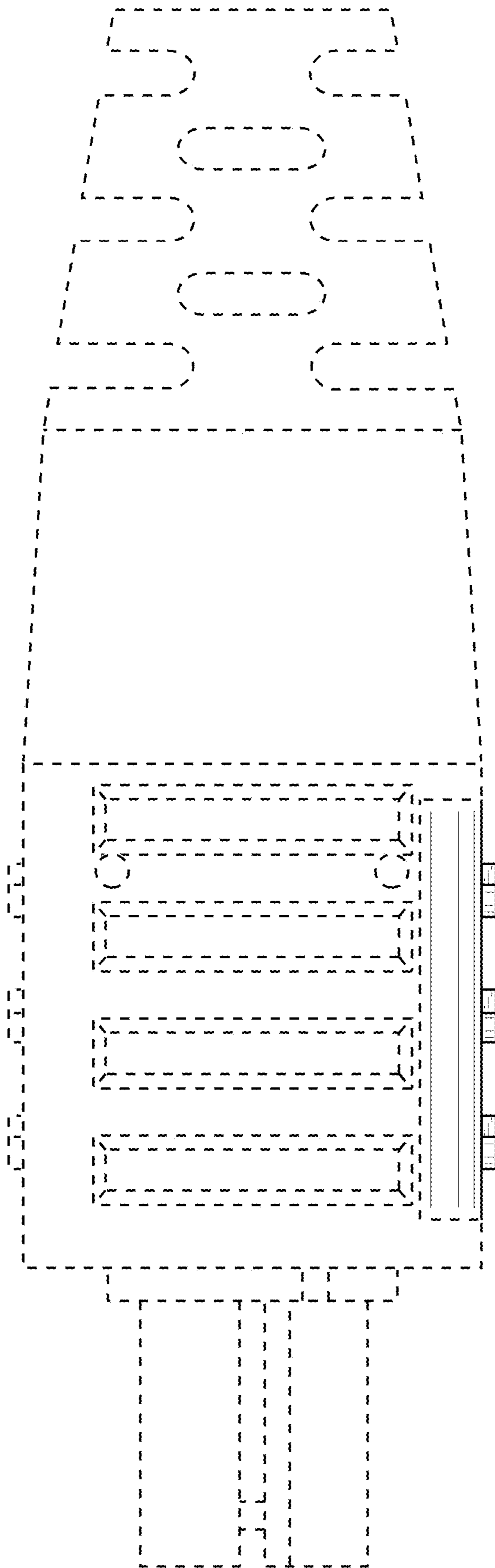


FIG. 4

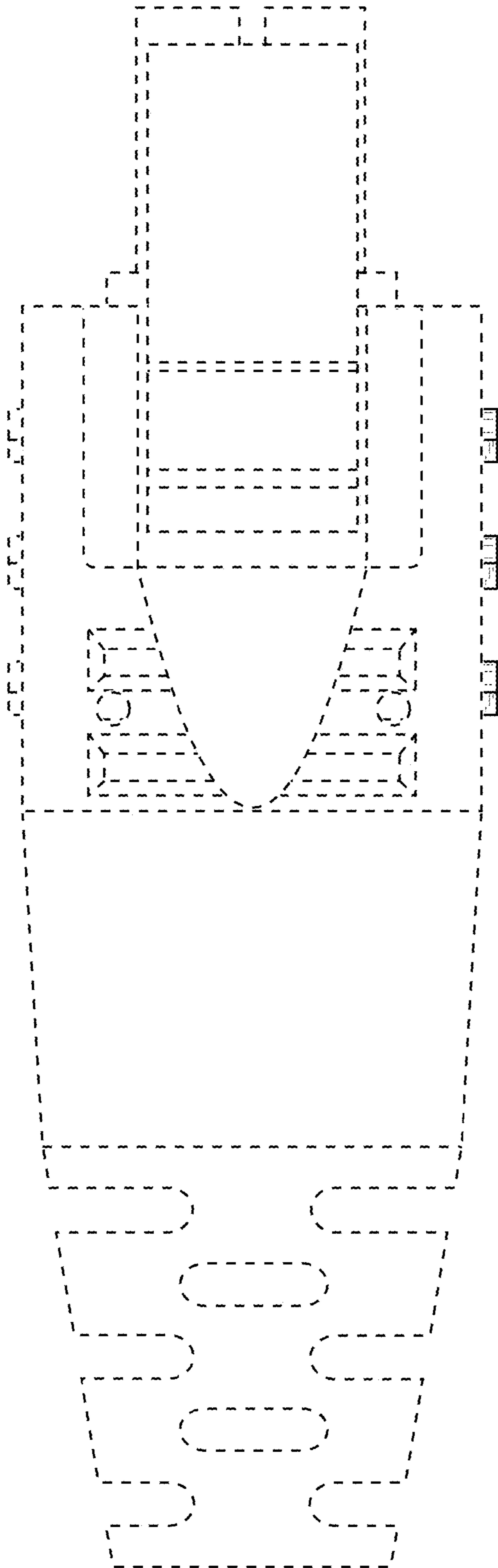


FIG. 5

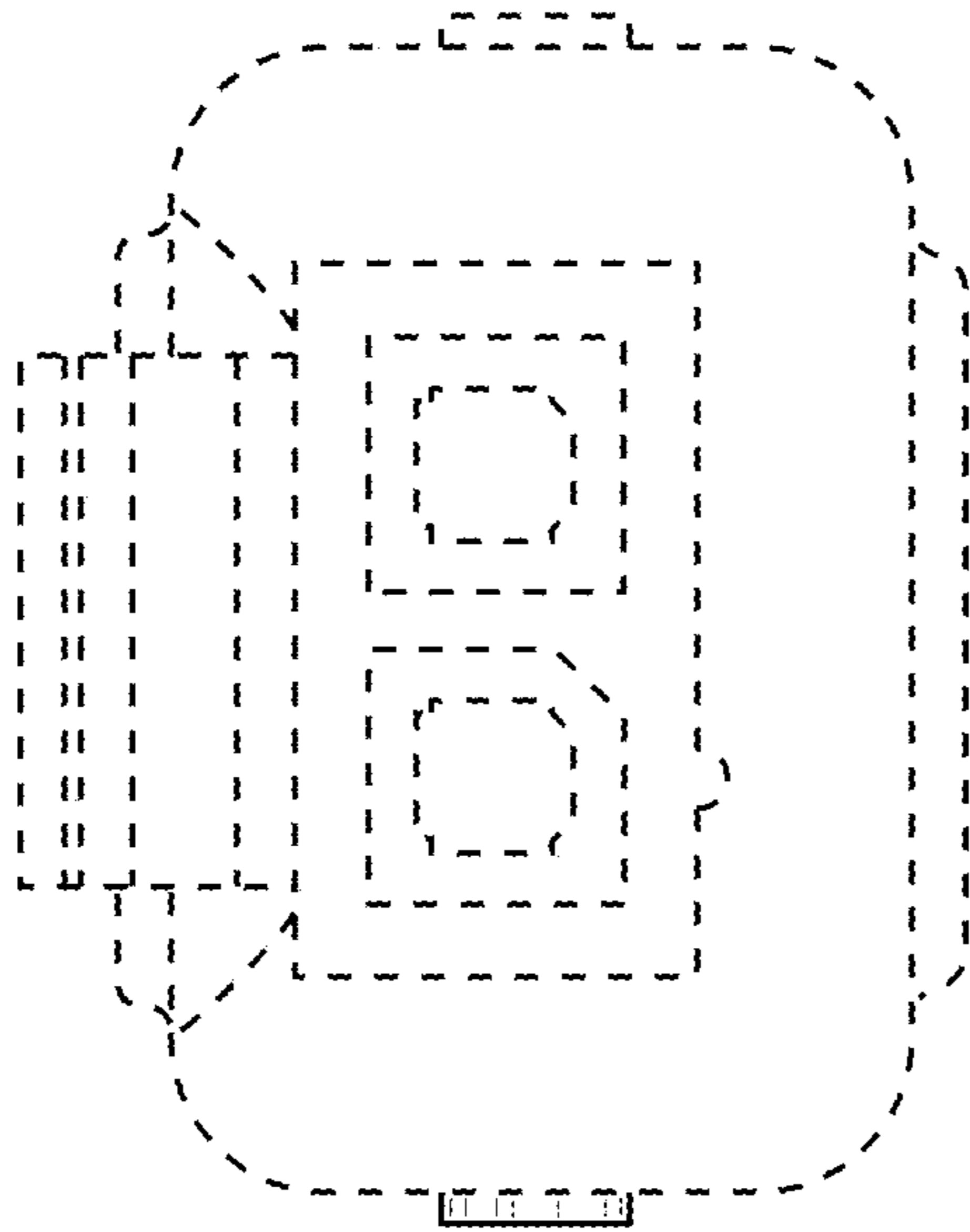


FIG. 6

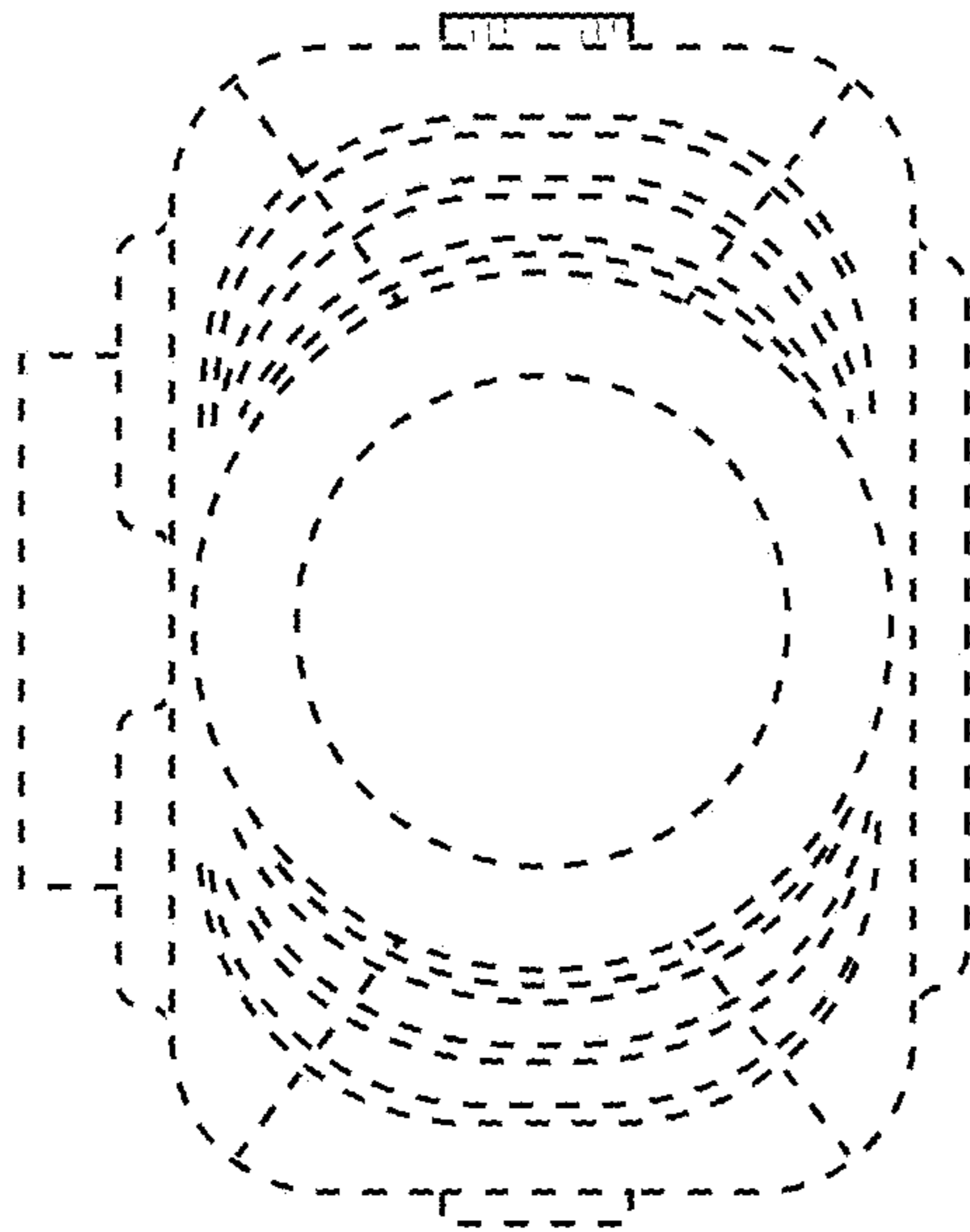


FIG. 7

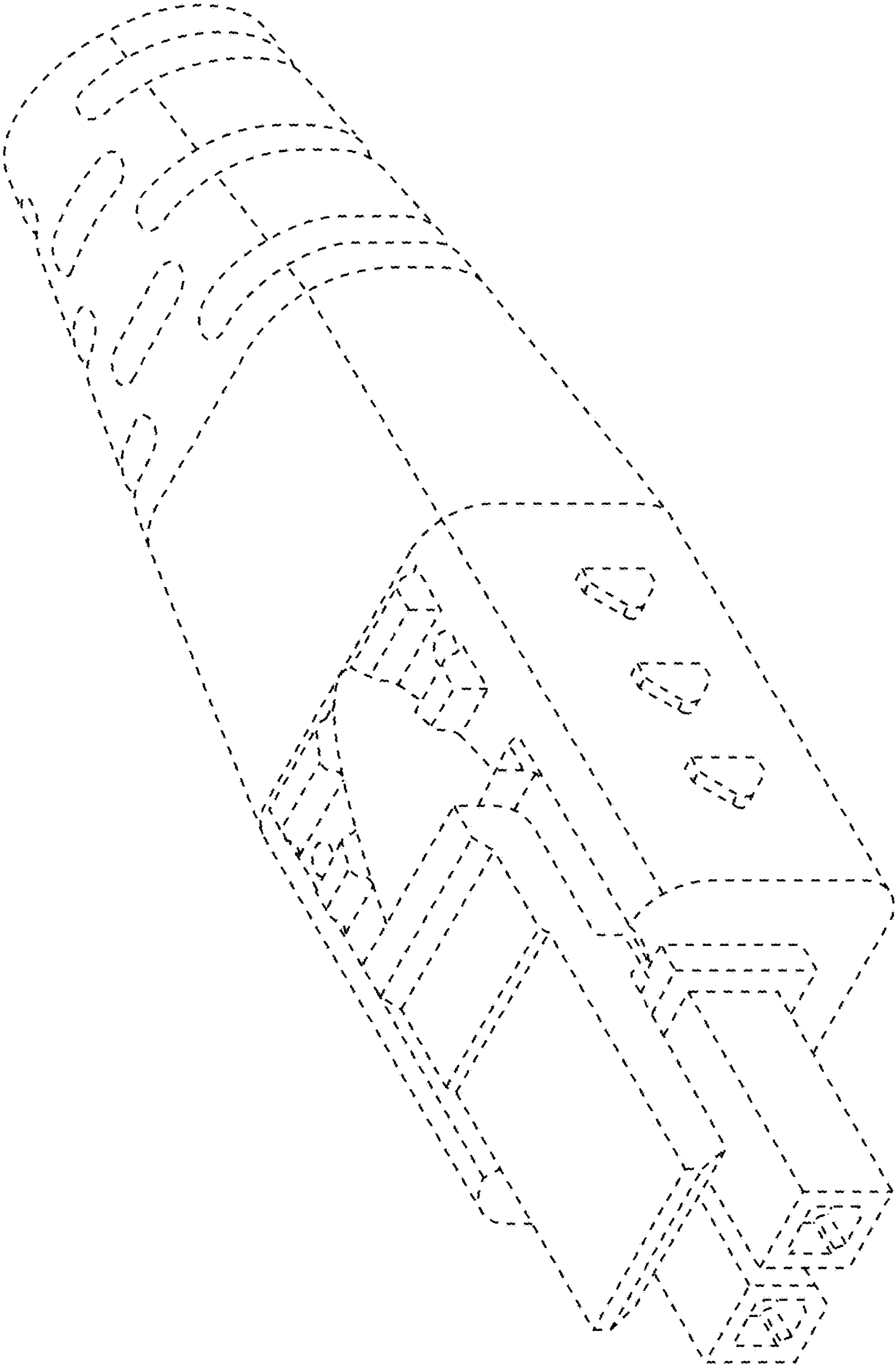


FIG. 8