



US00D958747S

(12) **United States Design Patent**
He et al.

(10) **Patent No.:** **US D958,747 S**
(45) **Date of Patent:** **** Jul. 26, 2022**

- (54) **COUPLER**
- (71) Applicant: **Shanghai Microport Medbot (Group) Co., Ltd.**, Shanghai (CN)
- (72) Inventors: **Yuyuan He**, Shanghai (CN); **Chao He**, Shanghai (CN)
- (73) Assignee: **Shanghai Microport Medbot (Group) Co., Ltd.**, Shanghai (CN)

D863,936 S *	10/2019	Pratt	D8/349
D893,713 S *	8/2020	Stengele	D24/133
D896,625 S	9/2020	Lah		
D920,772 S *	6/2021	McClung	D8/394
D932,291 S *	10/2021	Grondal	D8/382
2003/0108384 A1 *	6/2003	Huang	F16D 1/101 403/383
2003/0170074 A1 *	9/2003	Mills	F16B 19/109 403/324
2006/0111209 A1 *	5/2006	Hinman	A61B 17/28 474/206

(Continued)

(**) Term: **15 Years**

FOREIGN PATENT DOCUMENTS

- (21) Appl. No.: **29/735,420**
- (22) Filed: **May 21, 2020**
- (51) **LOC (13) Cl.** **13-03**
- (52) **U.S. Cl.**
USPC **D13/133; D24/231**
- (58) **Field of Classification Search**
USPC **D8/382, 354; D24/133, 231, 140; D13/133, 154, 118, 120**
CPC **F16D 1/06; F16D 1/02; A61B 2017/2905; A61B 2017/00477; A61B 2017/00314**
See application file for complete search history.

CN	305854057	*	6/2020
CN	305854132	*	6/2020

(Continued)

Primary Examiner — Sheryl Lane
Assistant Examiner — Ieisha N Price
(74) *Attorney, Agent, or Firm* — Winston Hsu

(56) **References Cited**

U.S. PATENT DOCUMENTS

587,855 A *	8/1897	Park	F16D 1/06 403/342
2,374,244 A *	4/1945	Standish	F16D 1/06 12/91
D286,597 S *	11/1986	Hughes	D8/382
D369,958 S *	5/1996	Huang	D8/382
D462,768 S *	9/2002	Meyer	D24/155
D558,037 S	12/2007	Chelchowski		
D610,681 S *	2/2010	Frey	D24/140
D624,181 S *	9/2010	Harata	D24/129
D687,701 S	8/2013	Rast		
D756,760 S *	5/2016	Fay, II	D8/382
D794,190 S *	8/2017	Russell	D24/140

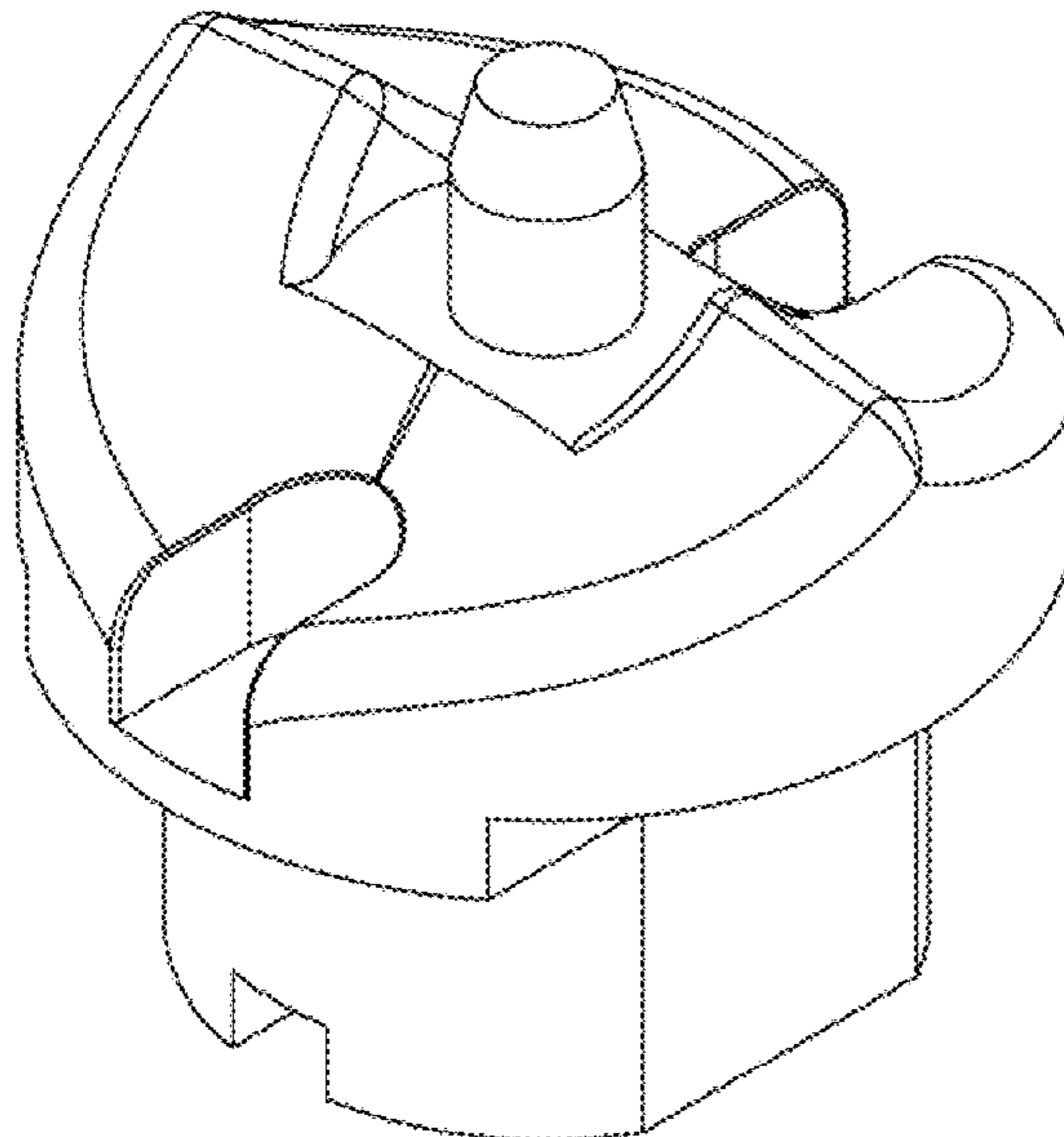
(57) **CLAIM**

The ornamental design for a coupler, as shown and described.

DESCRIPTION

FIG. 1 is a top, front, and right side perspective view of a coupler showing our new design;
FIG. 2 is a bottom, front, and left side perspective view thereof;
FIG. 3 is a front elevation view thereof;
FIG. 4 is a rear elevation view thereof;
FIG. 5 is a left side elevation view thereof;
FIG. 6 is a right side elevation view thereof;
FIG. 7 is a top plan view thereof; and,
FIG. 8 is a bottom plan view thereof.
The broken lines in the drawings illustrate portions of the coupler and form no part of the claimed design.

1 Claim, 8 Drawing Sheets



(56)

References Cited

U.S. PATENT DOCUMENTS

2007/0213691 A1* 9/2007 Summerer H01R 13/627
606/1
2009/0256318 A1* 10/2009 Stolz F16D 1/06
279/28
2010/0183364 A1* 7/2010 Harif B23B 31/4073
403/295
2014/0142384 A1* 5/2014 Chung A61B 1/128
600/117
2015/0110522 A1* 4/2015 Ikeda F16D 1/112
399/111
2017/0016484 A1* 1/2017 Sugiyama F16D 3/223
2017/0175818 A1* 6/2017 Kulkarni F16D 1/06
2018/0023629 A1* 1/2018 Sugiyama F16D 3/227
464/143
2018/0348695 A1* 12/2018 Ueno F16D 1/108
2019/0331168 A1* 10/2019 Kim F16D 1/06
2019/0363608 A1* 11/2019 Haun F04D 29/38
2020/0011381 A1* 1/2020 Cymbal F16D 1/112
2020/0023443 A1 1/2020 Abd El Haq
2020/0217371 A1* 7/2020 Zhu F16B 21/18
2021/0044196 A1* 2/2021 Meyer B64C 13/24
2021/0164522 A1* 6/2021 Wang F16D 1/06
2021/0222737 A1* 7/2021 Sugiyama F16D 1/06
2022/0031351 A1 2/2022 Moubarak

FOREIGN PATENT DOCUMENTS

CN 306853097 S 9/2021
GB 6179730 12/2021
JP D1552063 * 6/2016

* cited by examiner

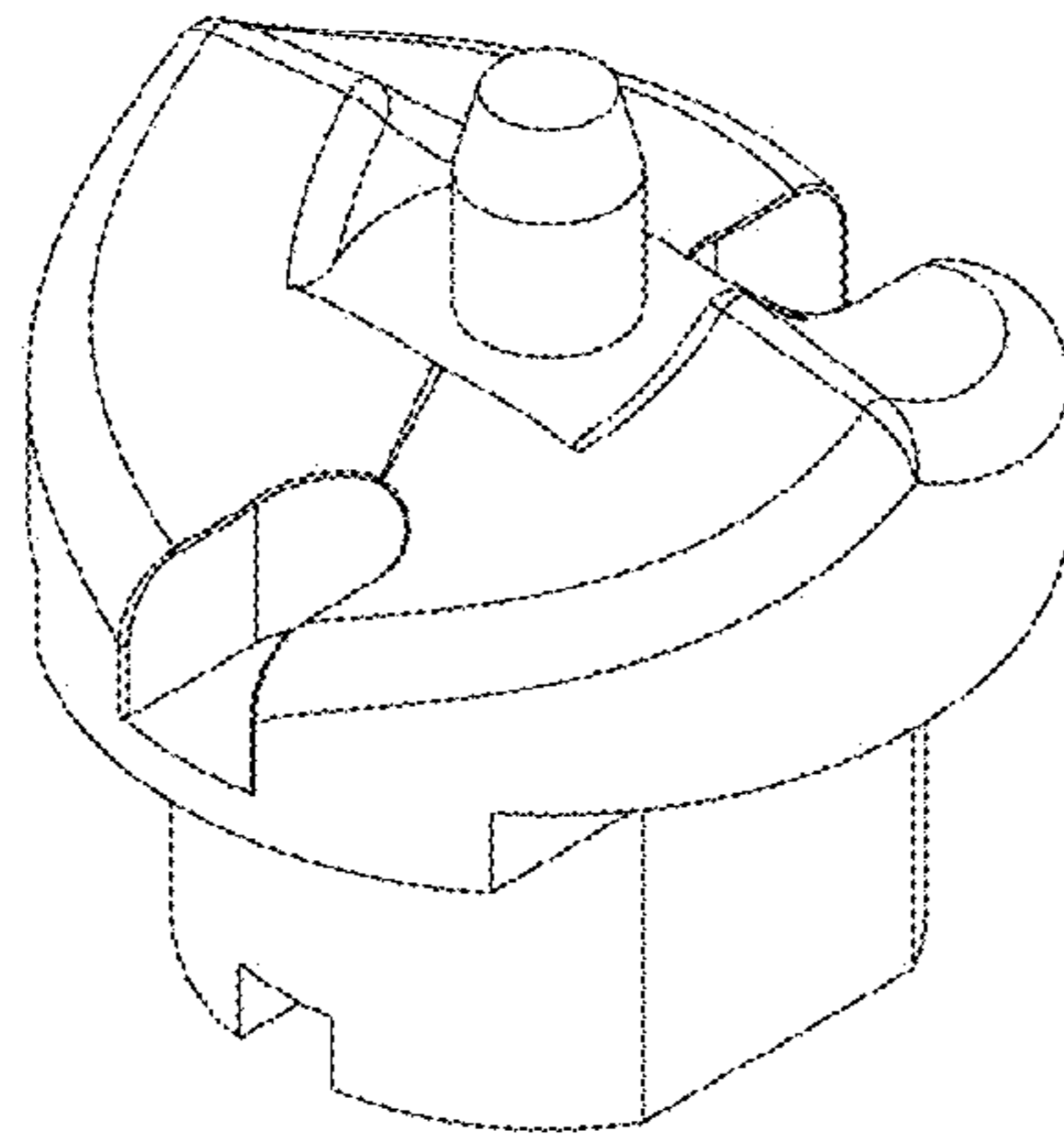


FIG. 1

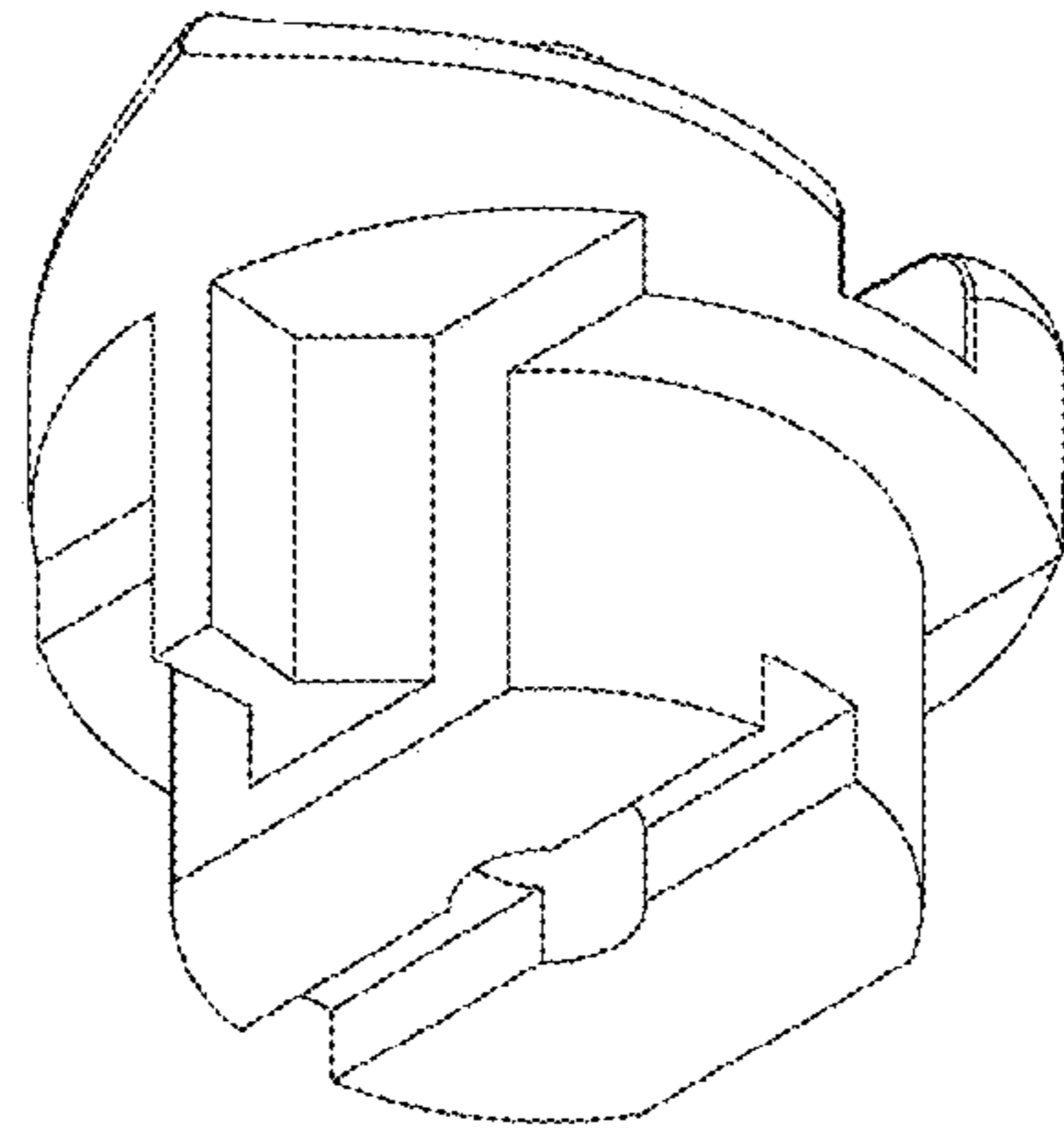


FIG. 2

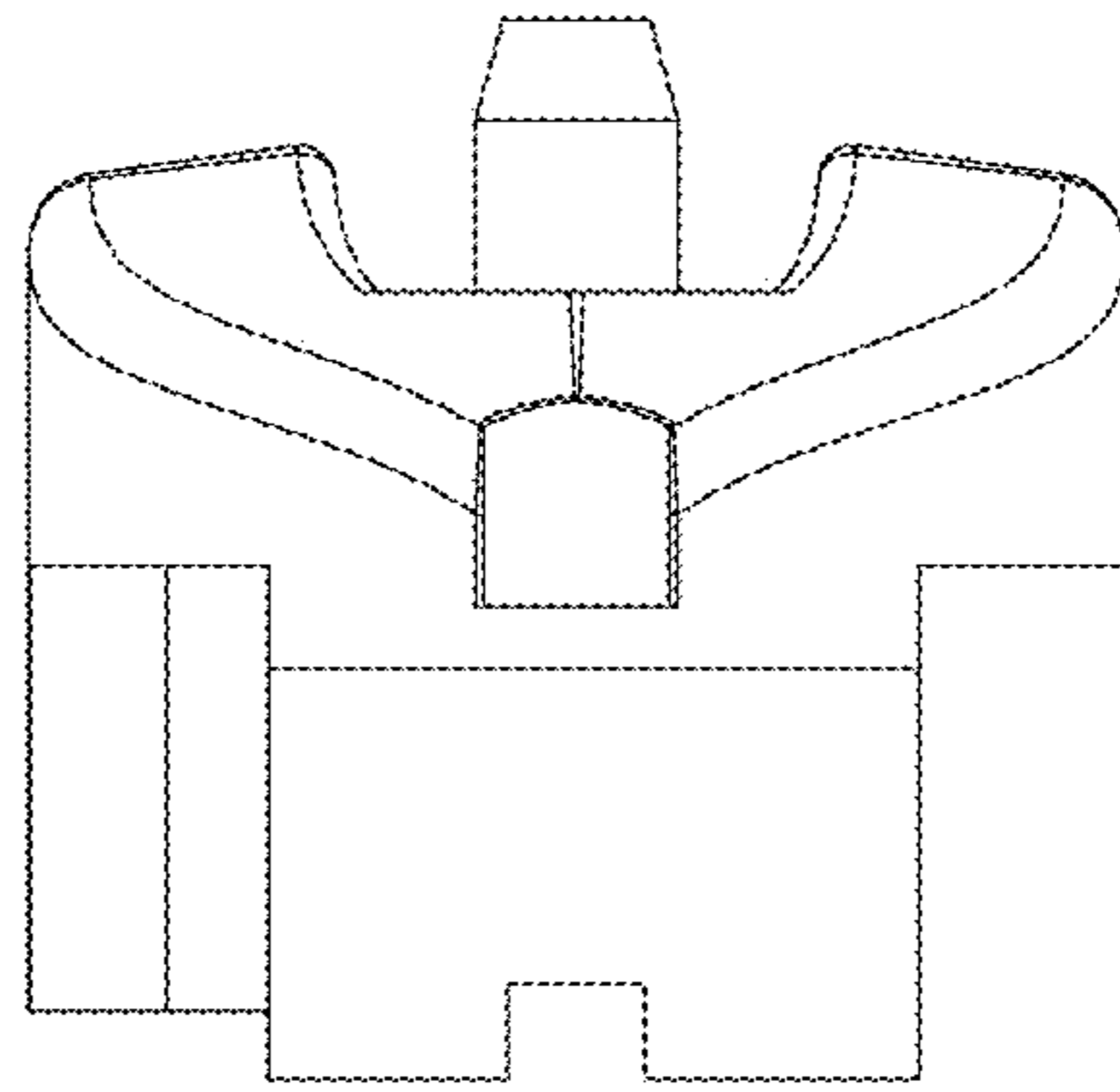


FIG. 3

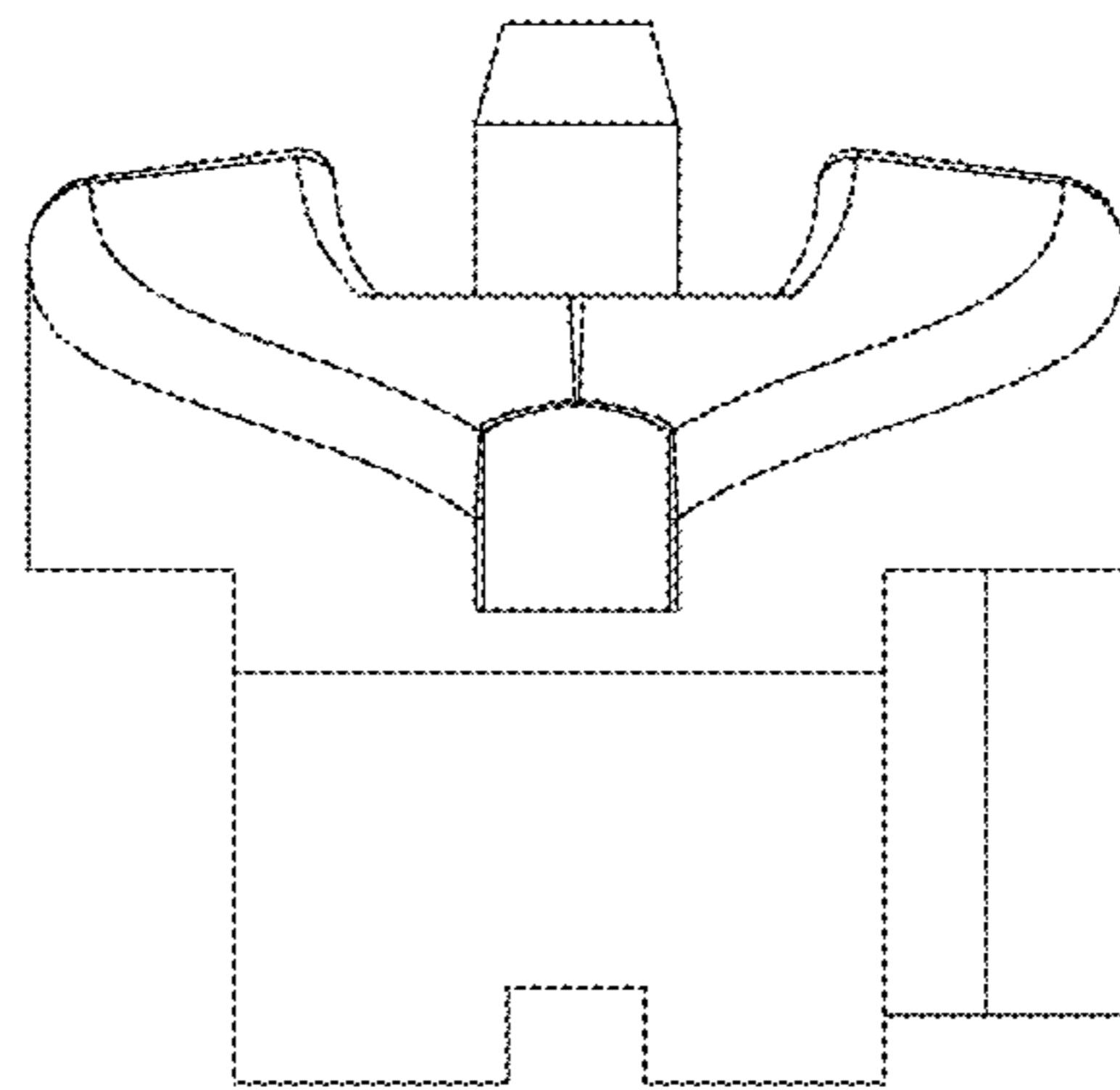


FIG. 4

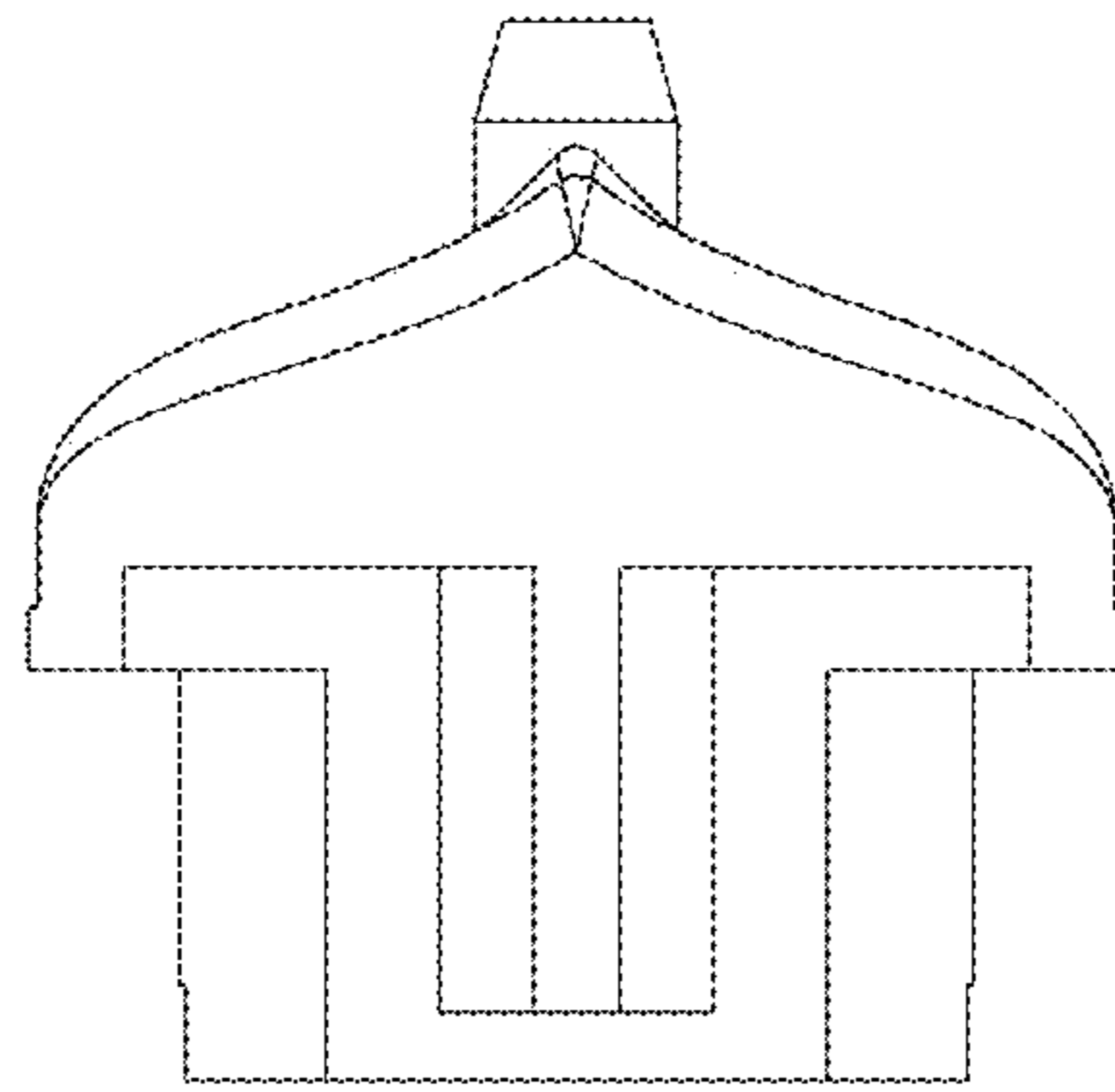


FIG. 5

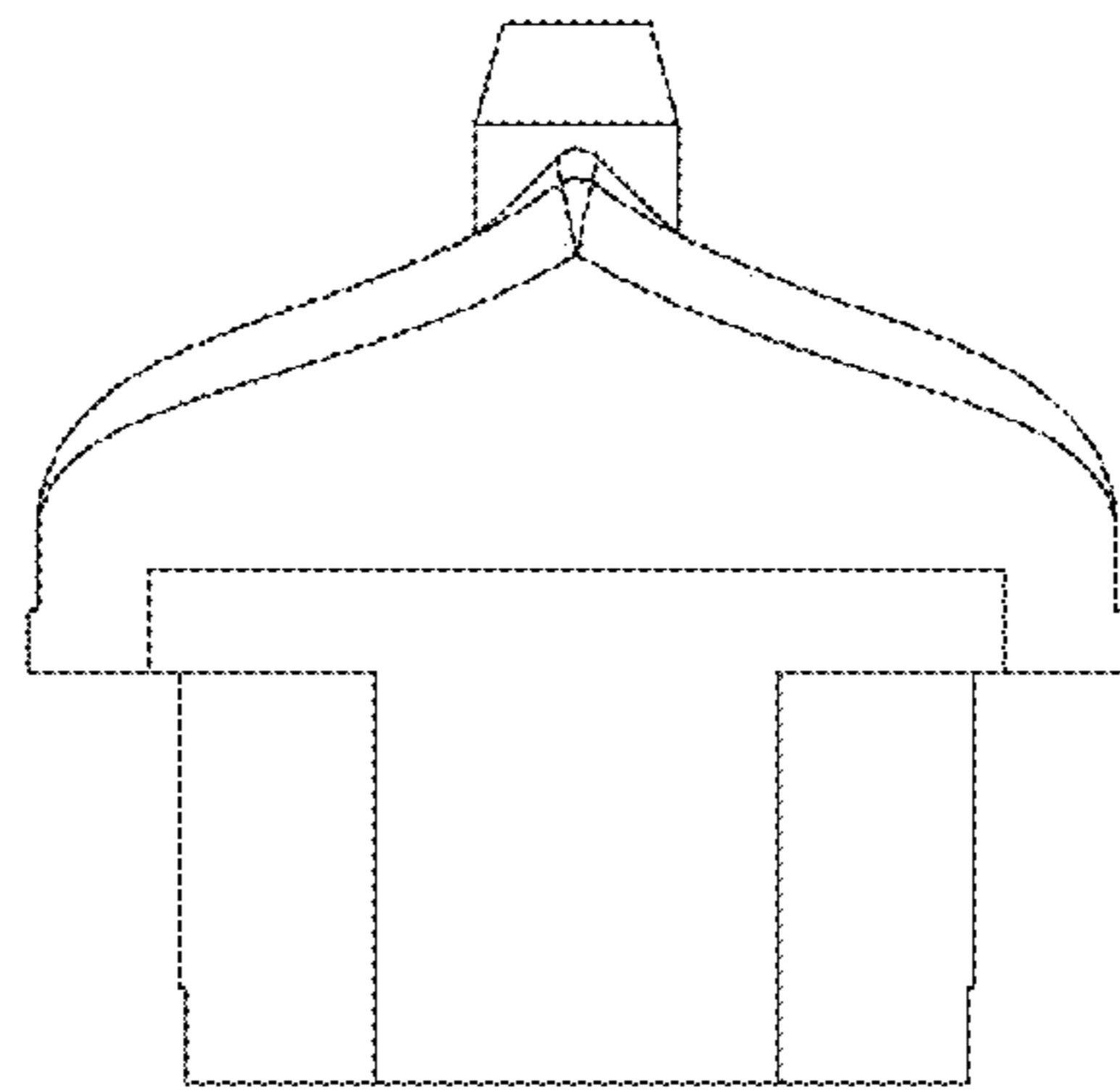


FIG. 6

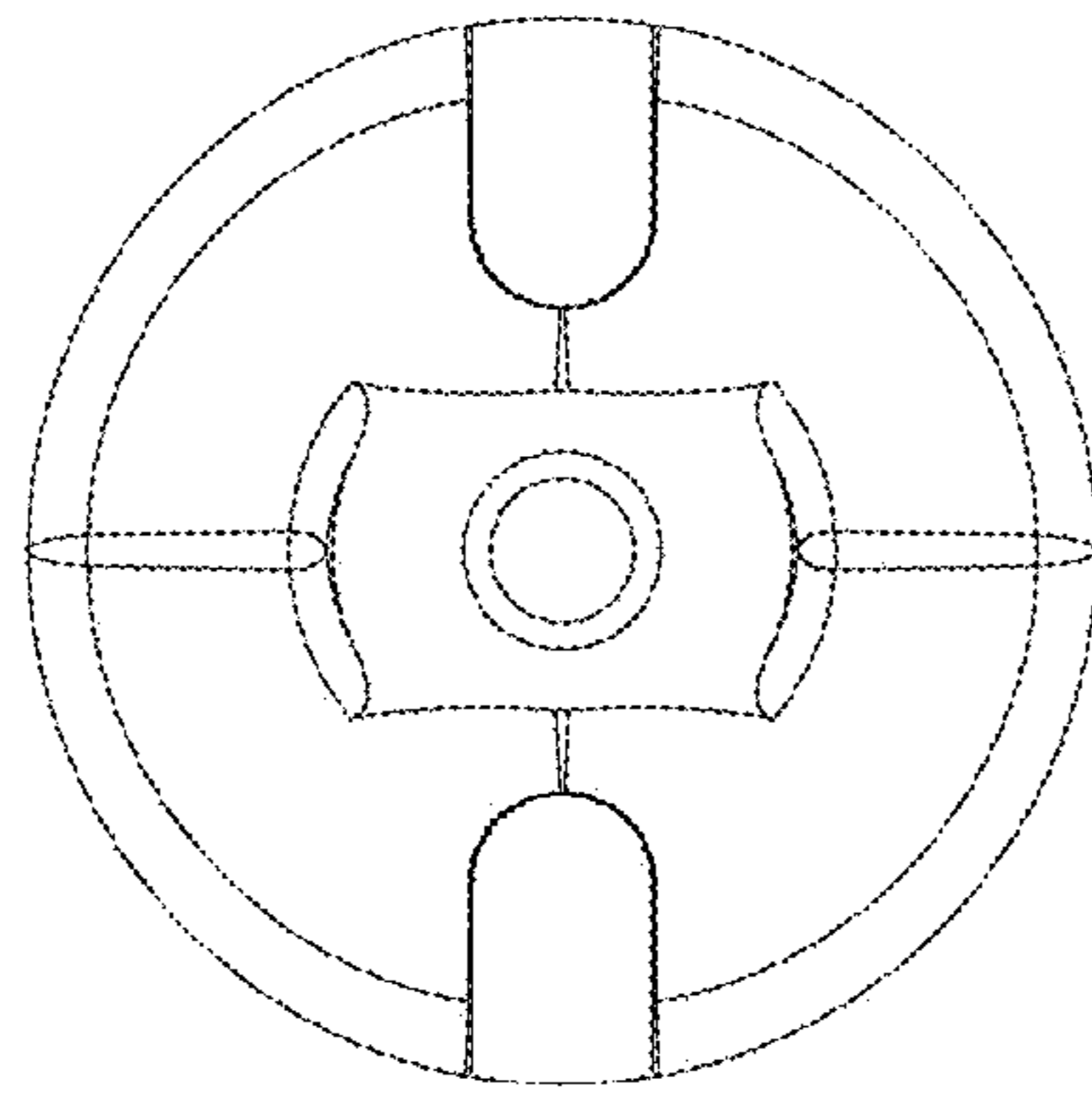


FIG. 7

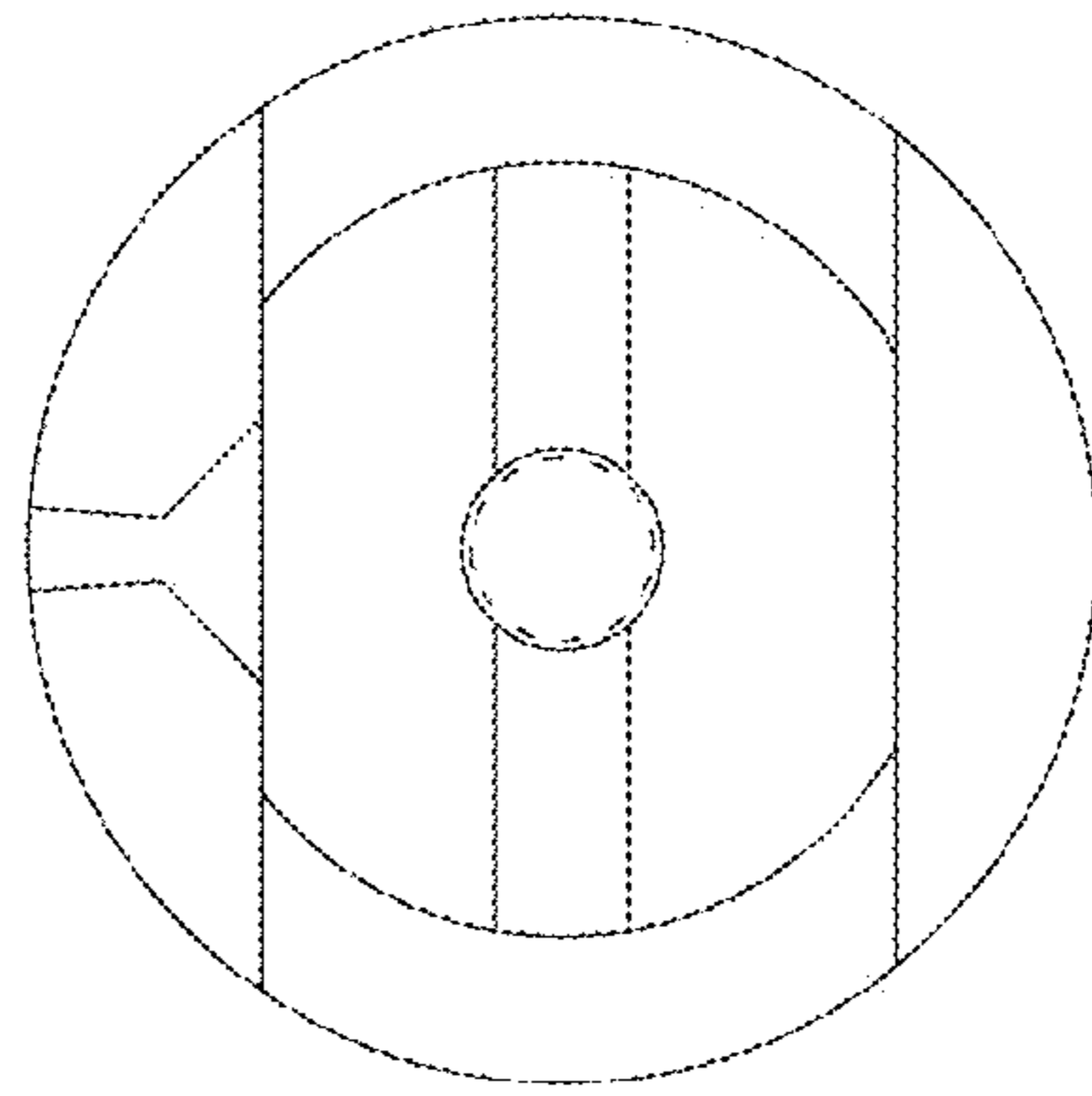


FIG. 8