



US00D958746S

(12) **United States Design Patent**
Lu

(10) **Patent No.:** **US D958,746 S**
(45) **Date of Patent:** **** Jul. 26, 2022**

(54) **CLAMP OF A BATTERY TESTER**
(71) Applicant: **AUTEL INTELLIGENT TECHNOLOGY CORP., LTD.,**
Guangdong (CN)

D931,811 S * 9/2021 Bone D13/120
D931,813 S * 9/2021 Nook D13/120
D946,526 S * 3/2022 Wang D13/120

(72) Inventor: **Boming Lu,** Guangdong (CN)
(73) Assignee: **AUTEL INTELLIGENT TECHNOLOGY CORP., LTD.,**
Shenzhen (CN)

OTHER PUBLICATIONS

Amazon.com. Autel Battery Tester MaxiBAS BT506. Date first available: Dec. 2021. Date accessed: Jun. 2022. (Year: 2021).*

(**) Term: **15 Years**

* cited by examiner

Primary Examiner — Jennifer O King

(21) Appl. No.: **29/753,458**

(22) Filed: **Sep. 30, 2020**

(57) **CLAIM**

(30) **Foreign Application Priority Data**

I claim the ornamental design for a clamp of a battery tester, as shown and described.

Apr. 1, 2020 (CN) 202030122513.6

(51) **LOC (13) Cl.** **13-02**

(52) **U.S. Cl.**
USPC **D13/120**

DESCRIPTION

(58) **Field of Classification Search**
USPC D13/118, 119, 120, 103, 148, 149, 151,
D13/199; D12/223
CPC H01R 11/24; H01R 11/281; H01R 11/283
See application file for complete search history.

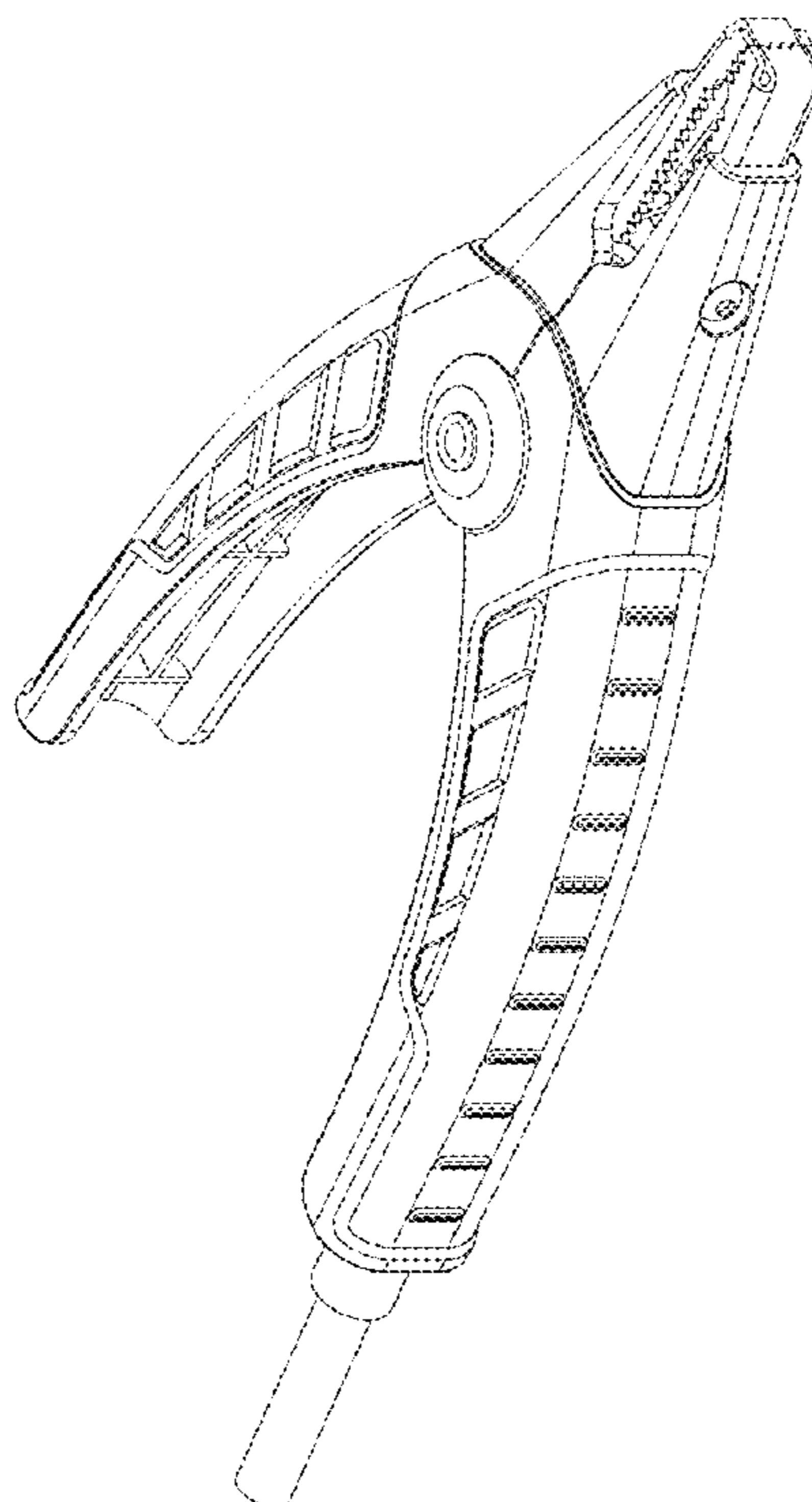
FIG. 1 is a front elevational view of a clamp of a battery tester showing our new design;
FIG. 2 is a back elevational view thereof;
FIG. 3 is a left side elevational view thereof;
FIG. 4 is a right side elevational view thereof;
FIG. 5 is a top plan view thereof;
FIG. 6 is a bottom plan view thereof; and,
FIG. 7 is a perspective view thereof.

(56) **References Cited**

U.S. PATENT DOCUMENTS

D304,928 S * 12/1989 Mize D13/120
D689,020 S * 9/2013 Demirjian D13/120
D889,411 S * 7/2020 Wang D13/120

1 Claim, 6 Drawing Sheets



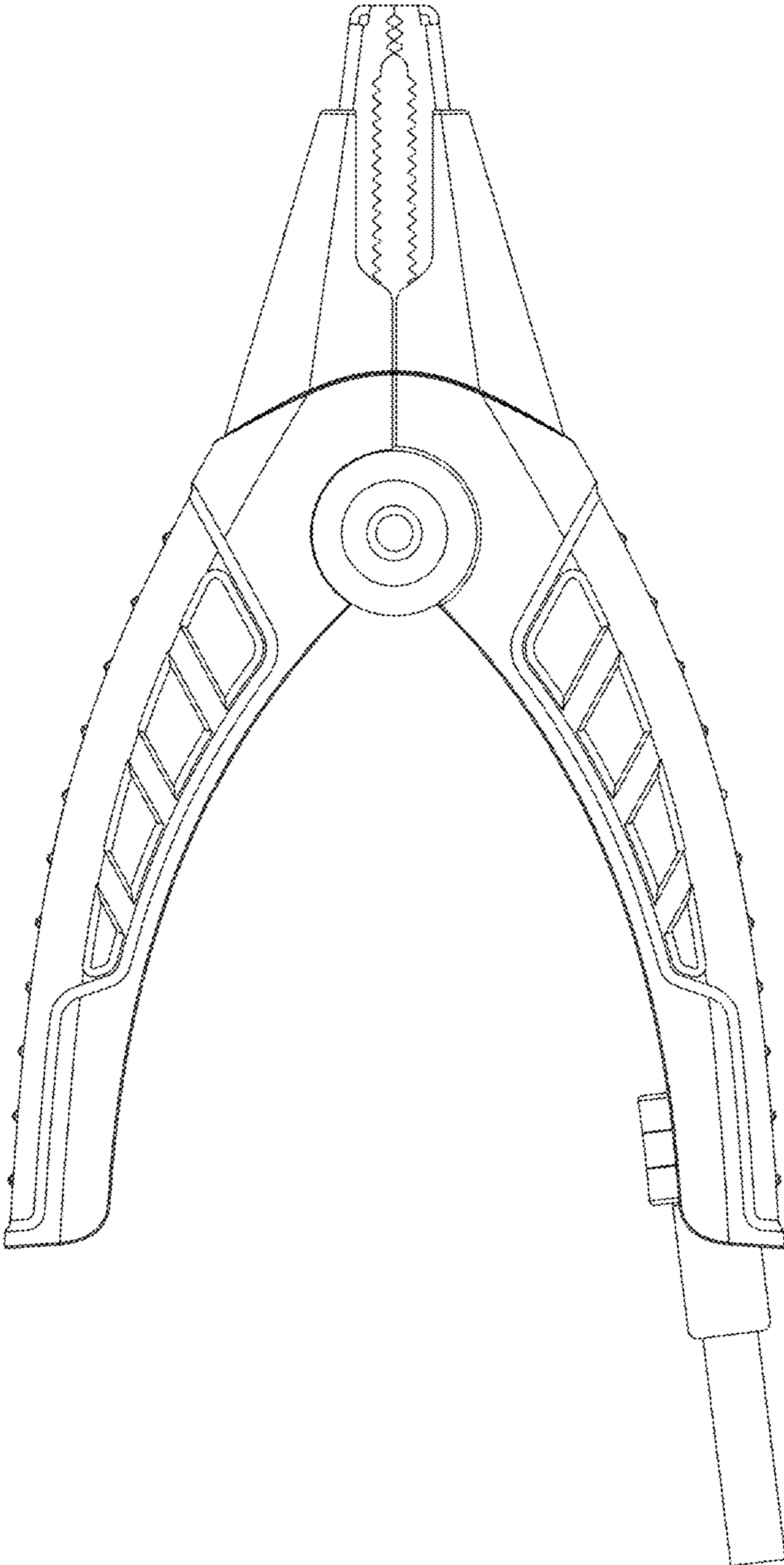


FIG.1

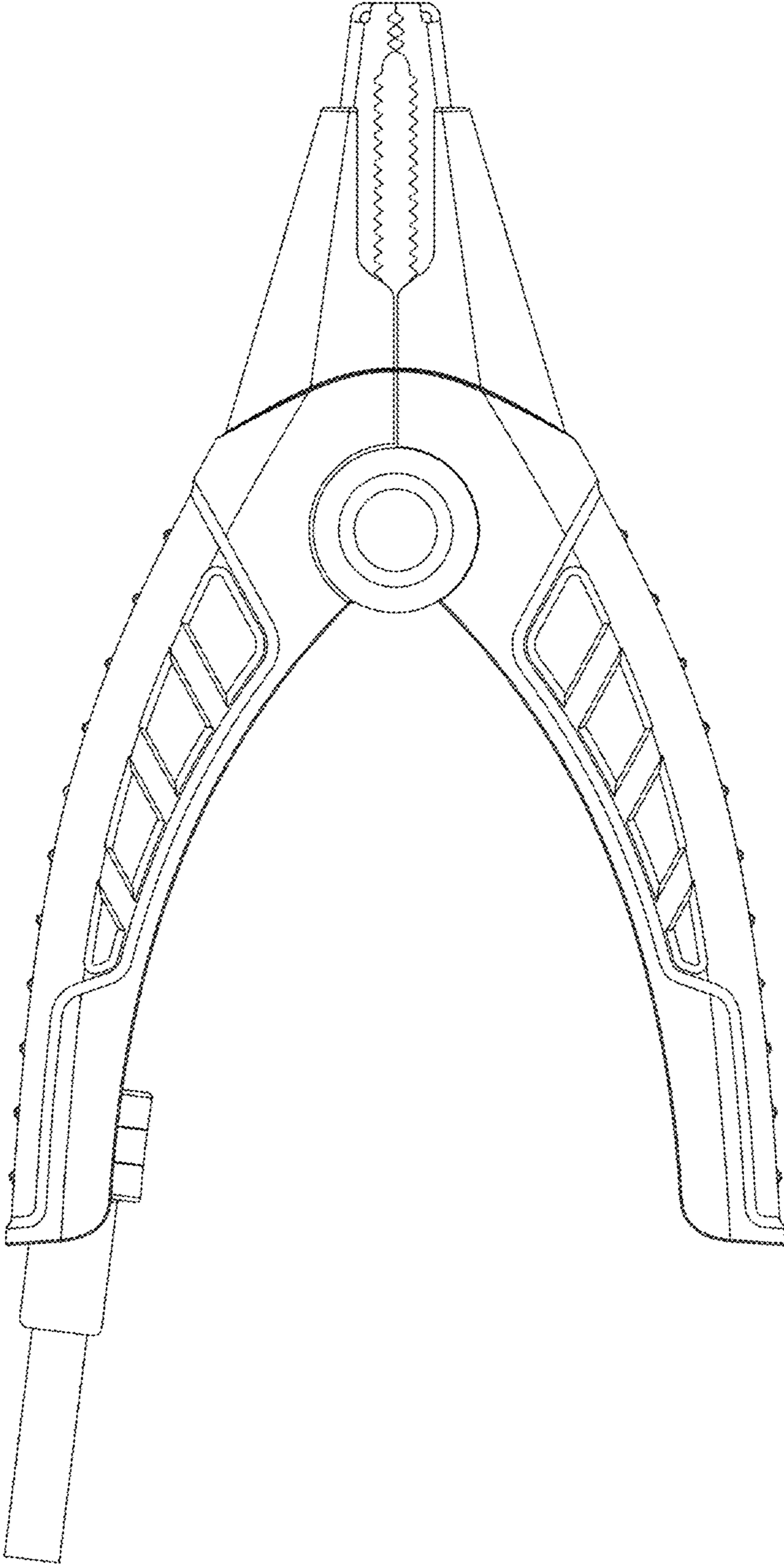


FIG.2

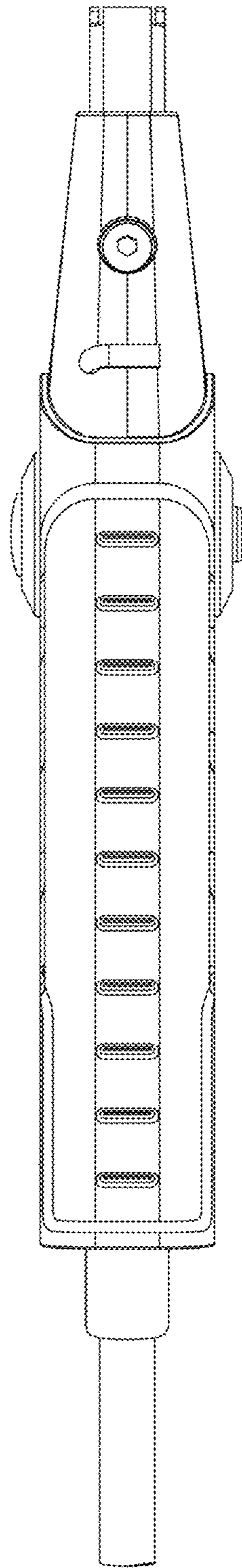


FIG.3

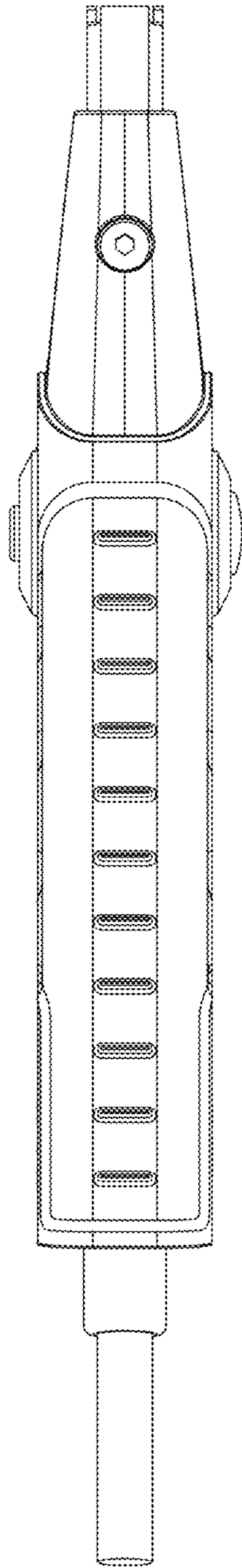


FIG.4

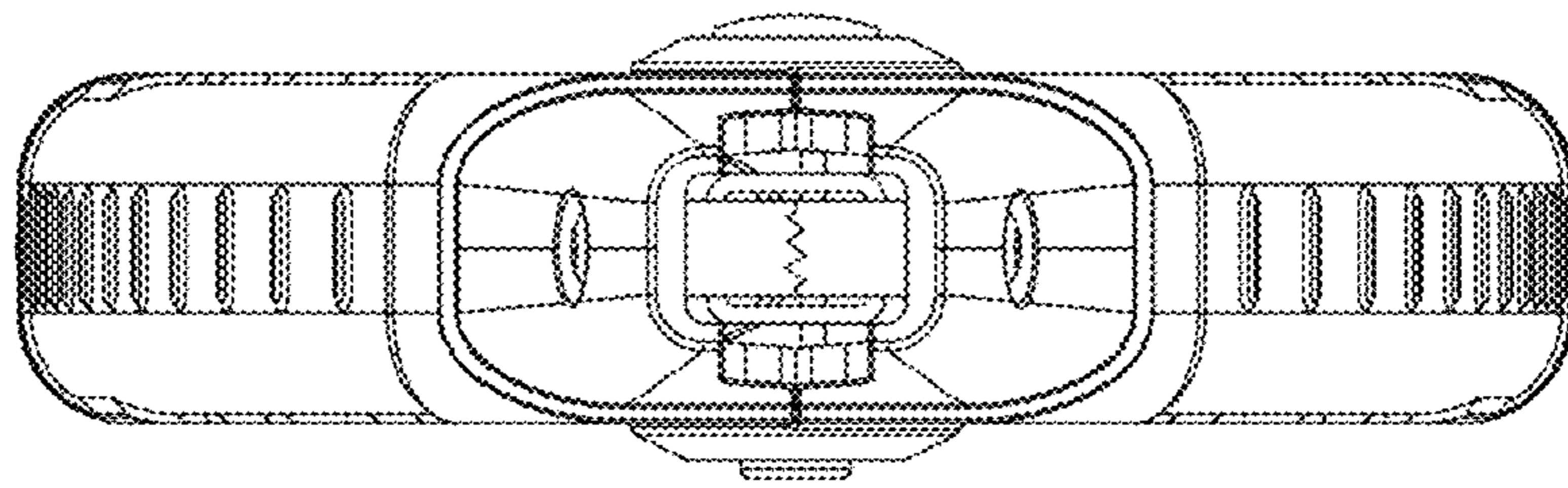


FIG. 5

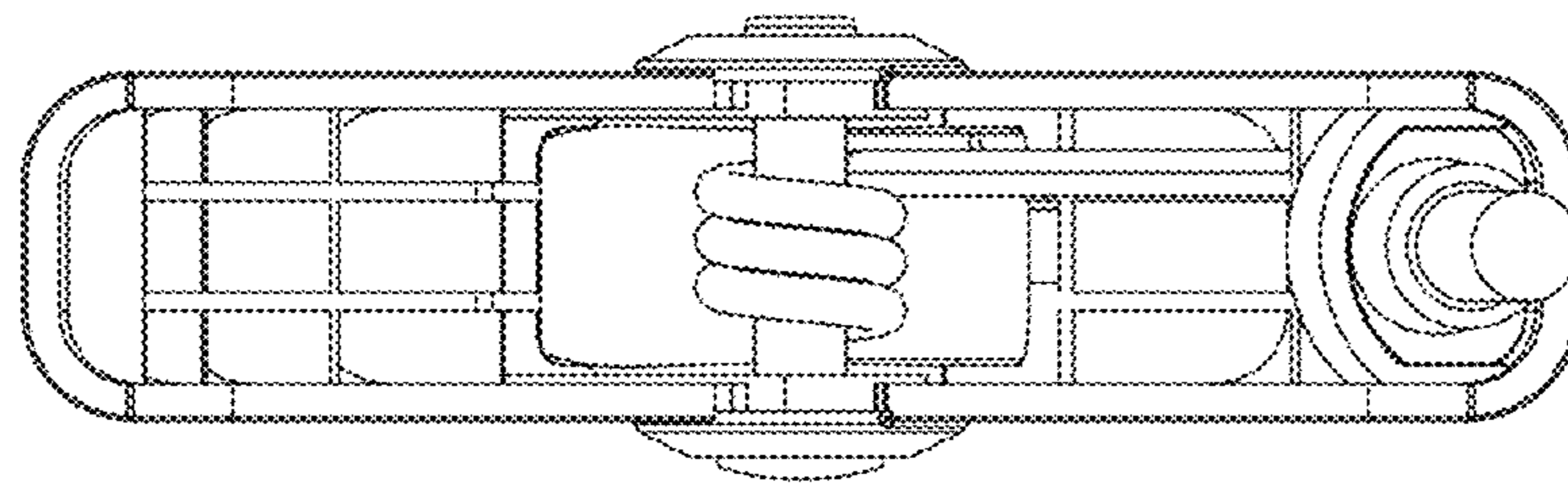


FIG. 6

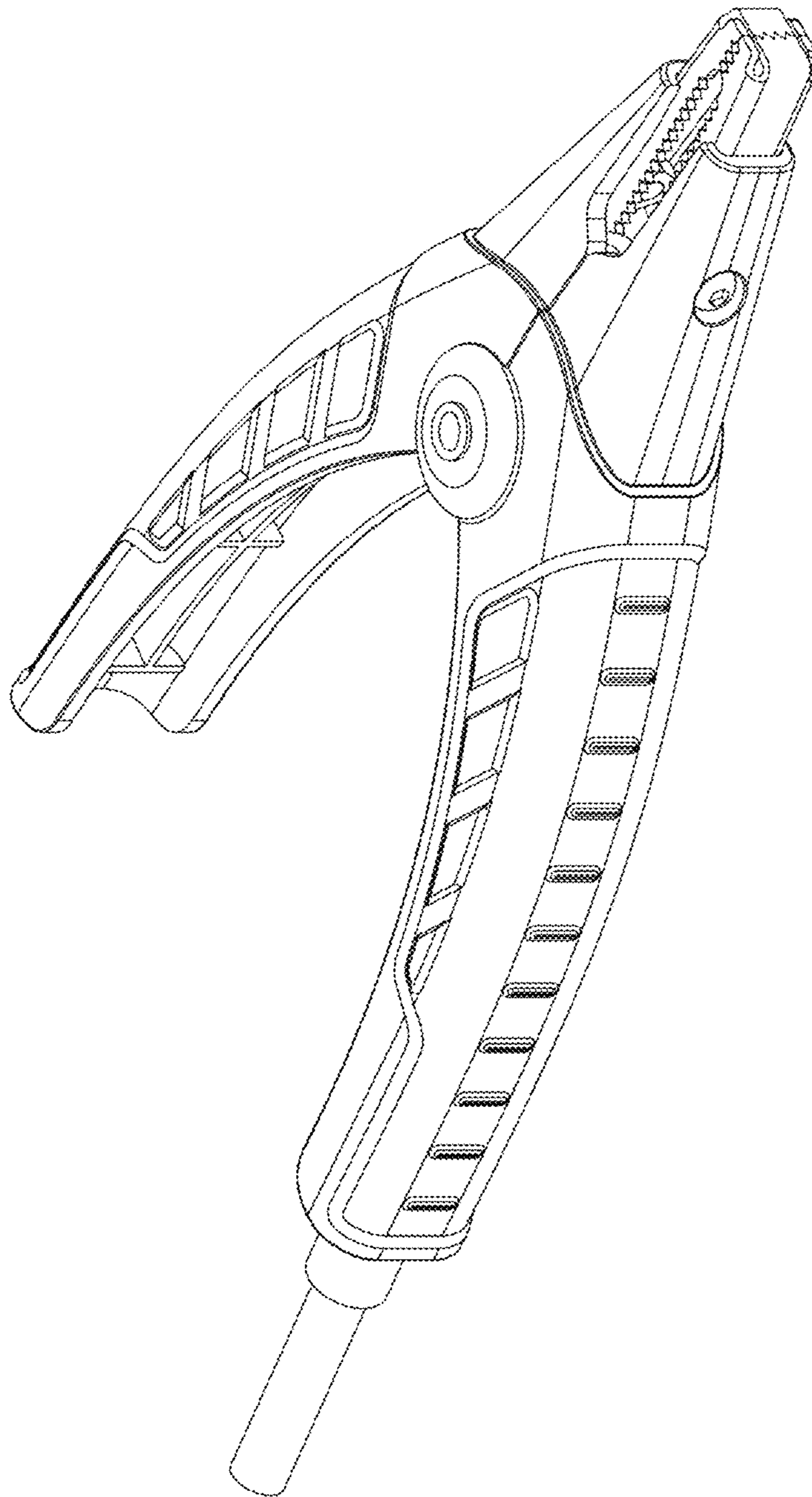


FIG. 7