



US00D958744S

(12) **United States Design Patent**
Ghidoni

(10) **Patent No.:** **US D958,744 S**

(45) **Date of Patent:** **** Jul. 26, 2022**

(54) **MOTOR**

(71) Applicant: **Brent Jude Ghidoni**, Savannah, GA
(US)

(72) Inventor: **Brent Jude Ghidoni**, Savannah, GA
(US)

(**) Term: **15 Years**

(21) Appl. No.: **29/762,033**

(22) Filed: **Dec. 14, 2020**

(51) **LOC (13) Cl.** **13-01**

(52) **U.S. Cl.**
USPC **D13/112**

(58) **Field of Classification Search**
USPC D13/112, 113, 114, 118, 122, 184, 199;
D15/3, 5, 149, 199

CPC .. H02K 5/04; H02K 5/10; H02K 5/15; H02K
5/22; H02K 5/24; H02K 5/148; H02K
5/225; H02K 29/14; H02K 1/30; H02K
1/32; H02K 1/2786; H02K 3/24; H02K
3/47; H02K 11/21; H02K 11/22; H02K
11/33; H02P 6/06; Y10T 74/2186; Y10T
74/19684; Y10T 74/1987; Y10T 74/19884
See application file for complete search history.

(56) **References Cited**

U.S. PATENT DOCUMENTS

4,988,905 A * 1/1991 Tolmie, Jr. H02K 29/06
310/68 B
5,347,187 A * 9/1994 Tsuzaki H02K 5/1675
310/90
D396,448 S * 7/1998 Will D13/112
6,570,273 B2 5/2003 Hazelton
6,661,109 B2 12/2003 Fukasaku et al.
6,717,302 B2 * 4/2004 Koi H02K 11/22
310/68 B

7,498,762 B2 3/2009 Takada
D686,990 S * 7/2013 Kikuchi D13/112
D706,304 S * 6/2014 Katada D15/1
D779,428 S * 2/2017 Mayer A61M 16/0616
D13/112
2010/0270879 A1 * 10/2010 Matsushita H02K 11/026
310/71
2015/0357886 A1 12/2015 Ishizeki et al.

FOREIGN PATENT DOCUMENTS

KR 100631297 10/2006

* cited by examiner

Primary Examiner — Derrick E Holland

(57) **CLAIM**

The ornamental design for a motor, as shown and described.

DESCRIPTION

The patent or application file contains at least one drawing executed in color. Copies of this patent or patent application publication with color drawing(s) will be provided by the Office upon request and payment of the necessary fee.

FIG. 1 is a front-top perspective view of a motor showing my new design;

FIG. 2 is a front-bottom perspective view thereof;

FIG. 3 is a rear-top perspective view thereof;

FIG. 4 is a rear-bottom perspective view thereof;

FIG. 5 is a front elevational view thereof;

FIG. 6 is a rear elevational view thereof;

FIG. 7 is a left elevational view thereof;

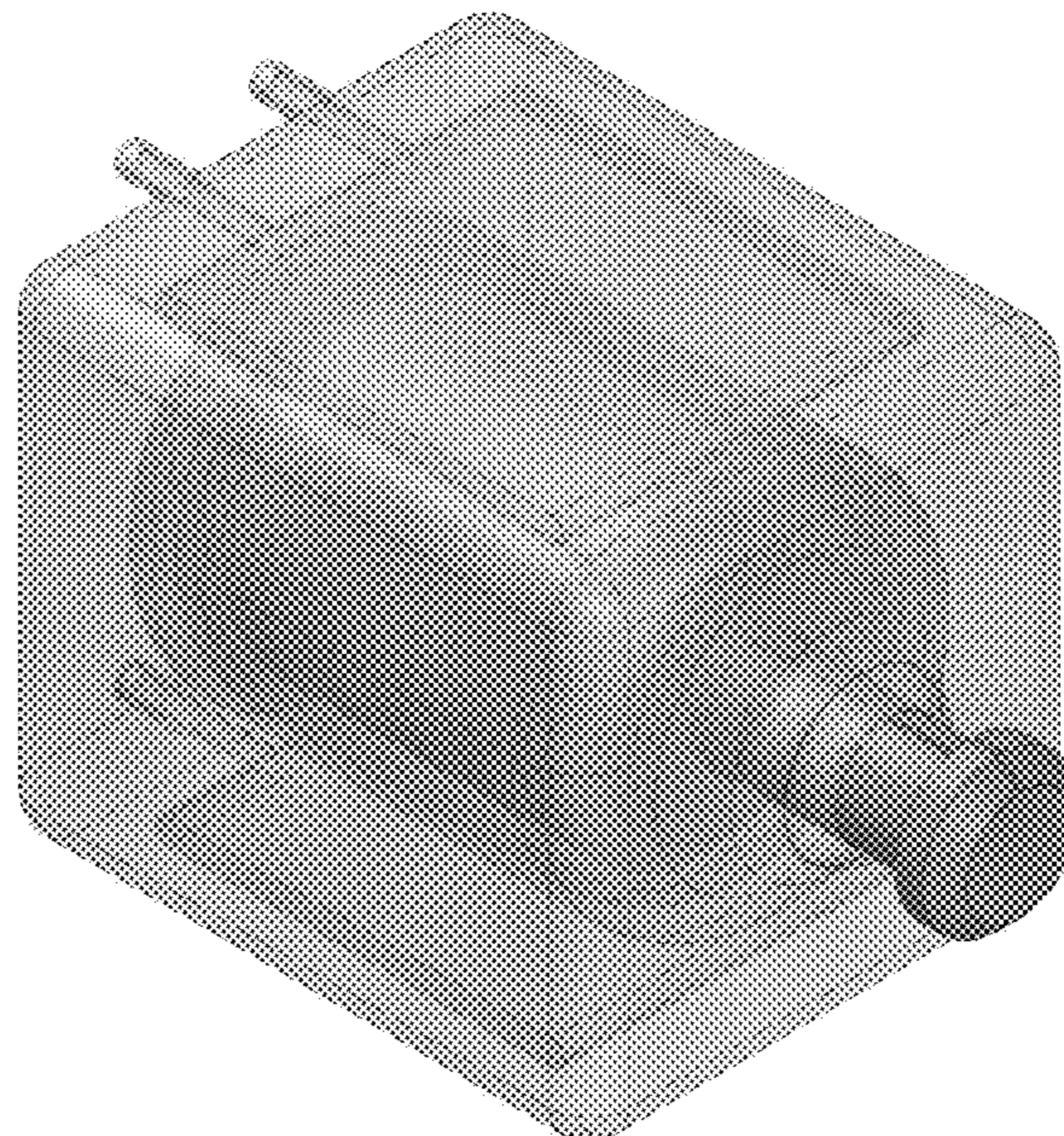
FIG. 8 is a right elevational view thereof;

FIG. 9 is a top plan view thereof;

FIG. 10 is a bottom plan view thereof; and,

FIG. 11 is a cross sectional view taken along lines 11-11 in FIG. 9.

1 Claim, 11 Drawing Sheets
(11 of 11 Drawing Sheet(s) Filed in Color)



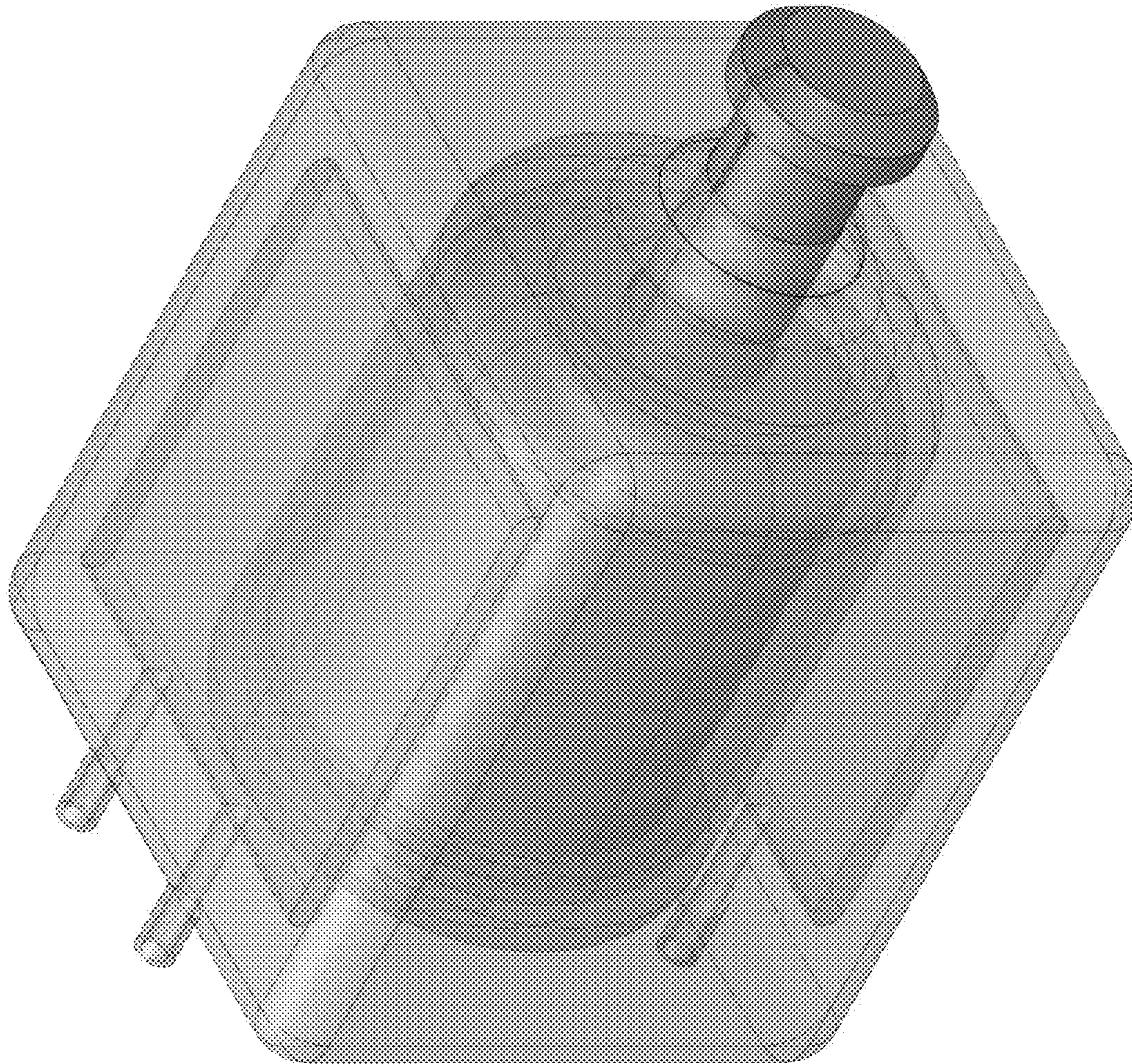


FIG. 1

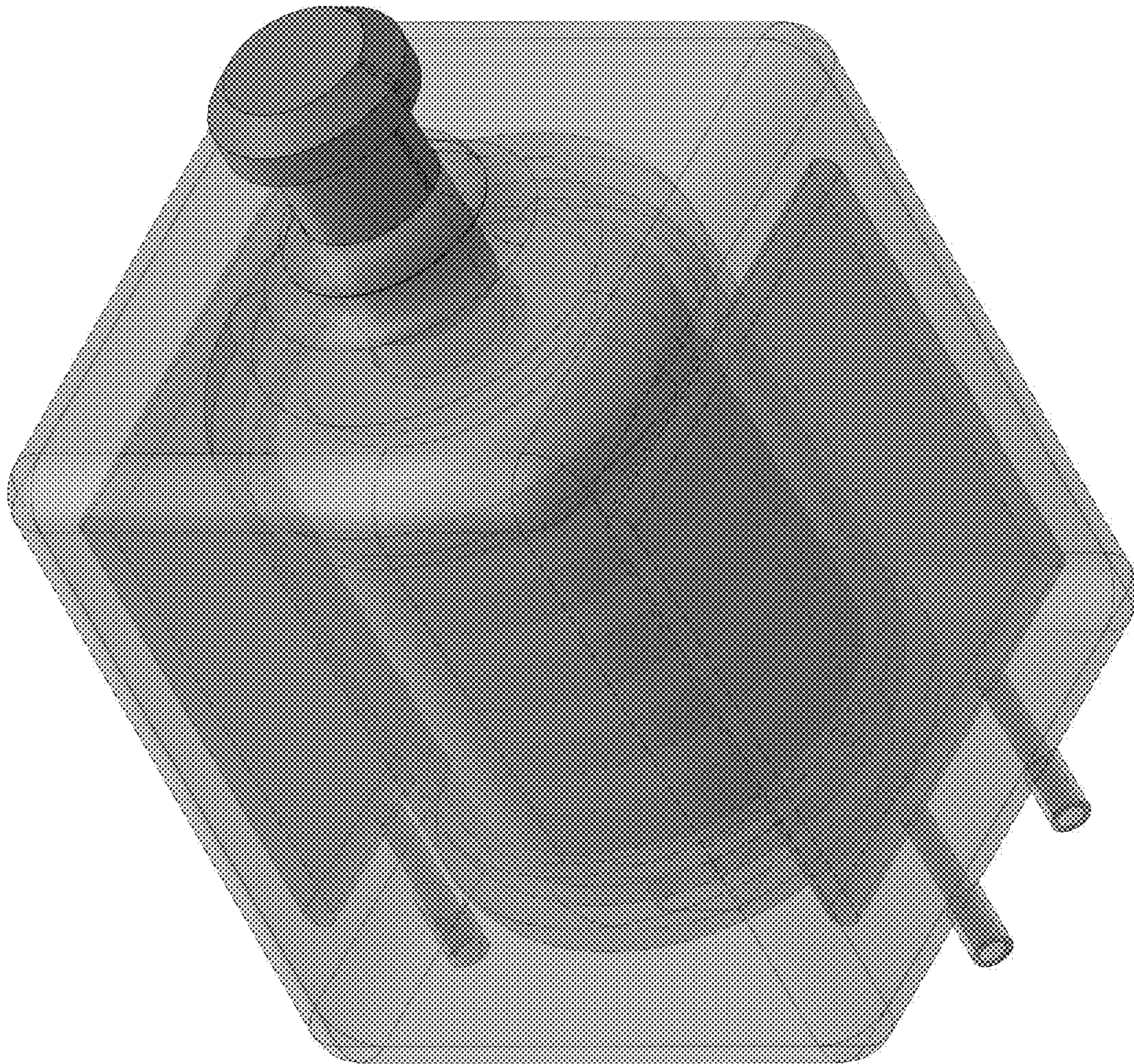


FIG. 2

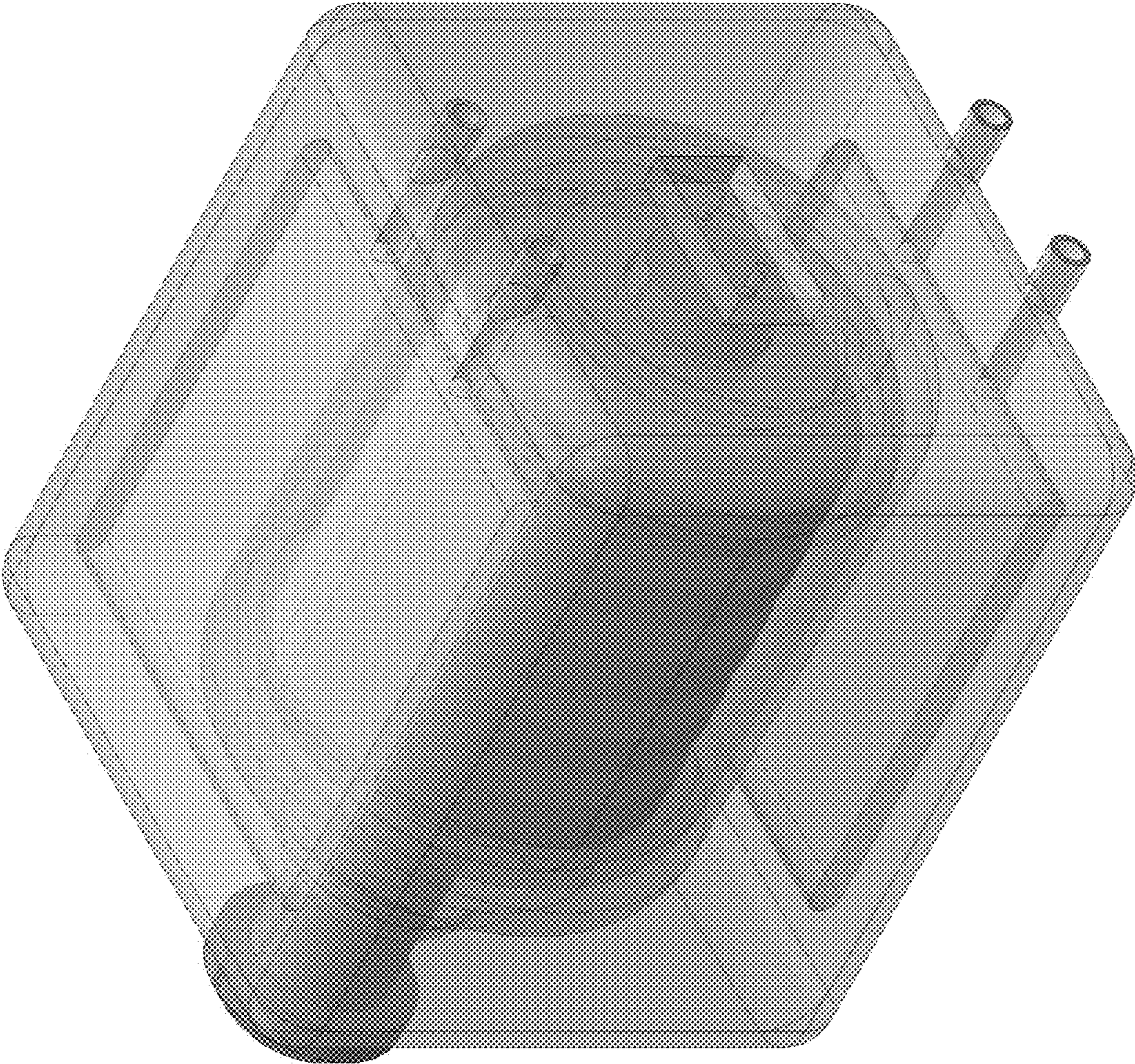


FIG. 3

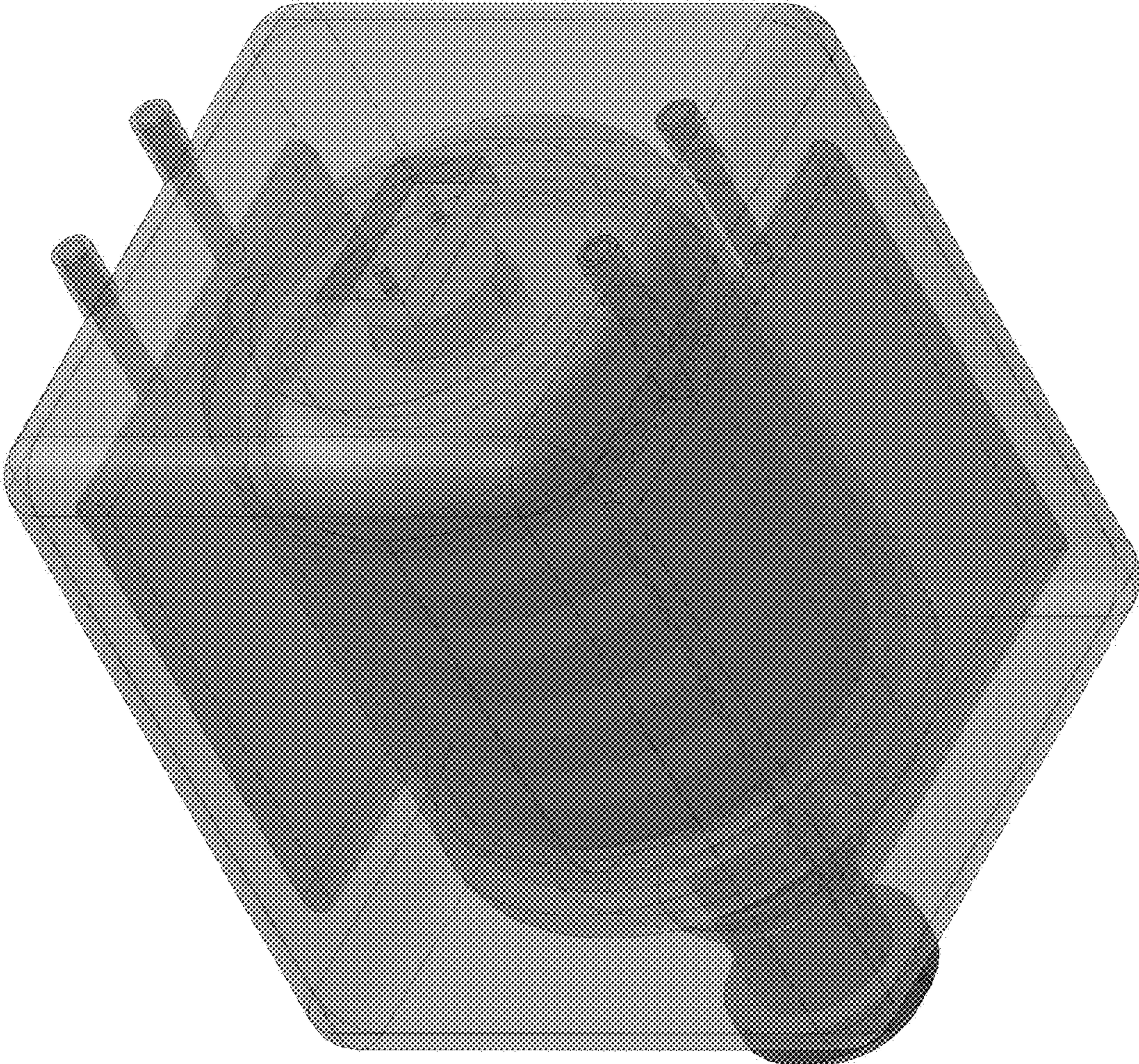


FIG. 4

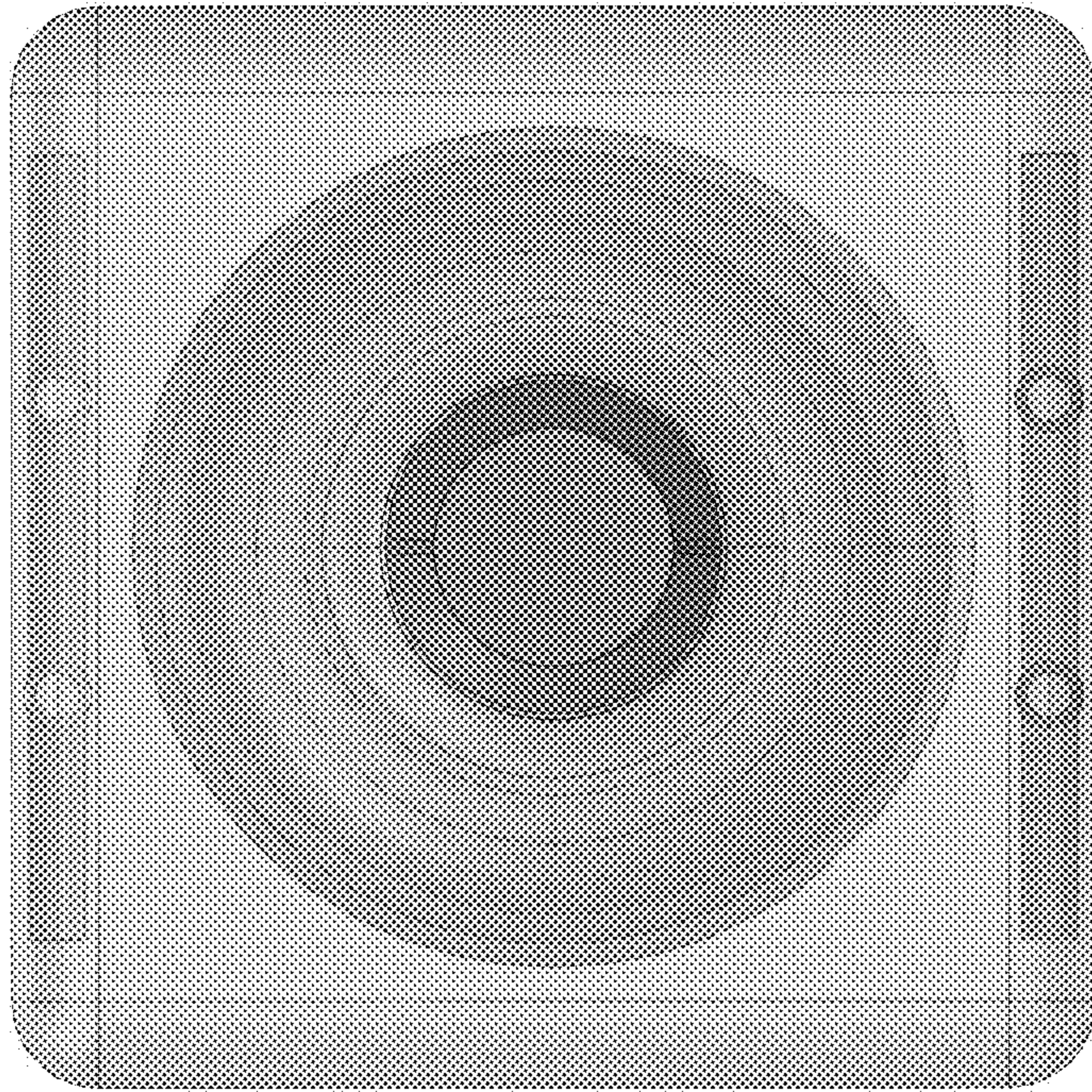


FIG. 5

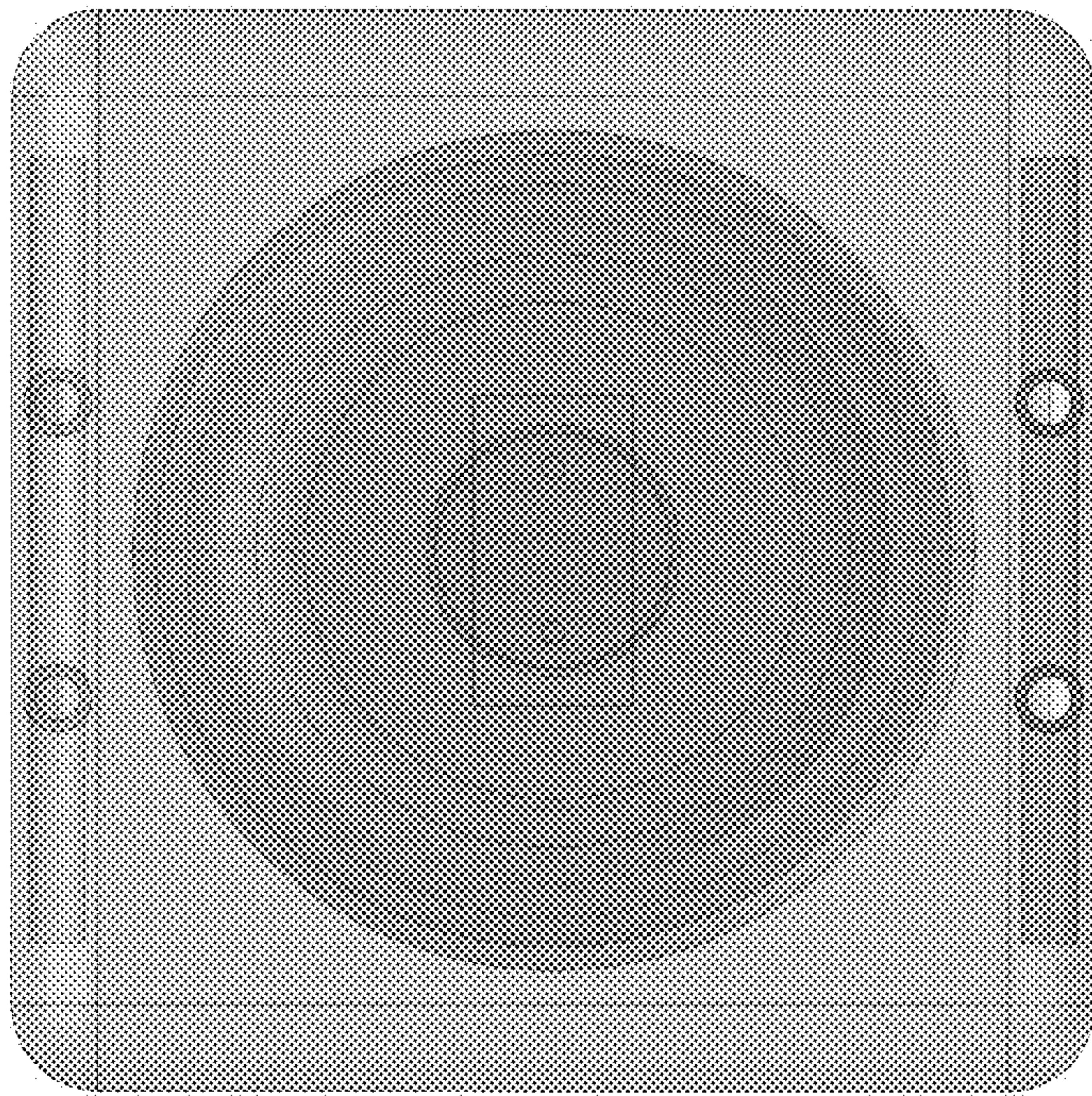


FIG. 6

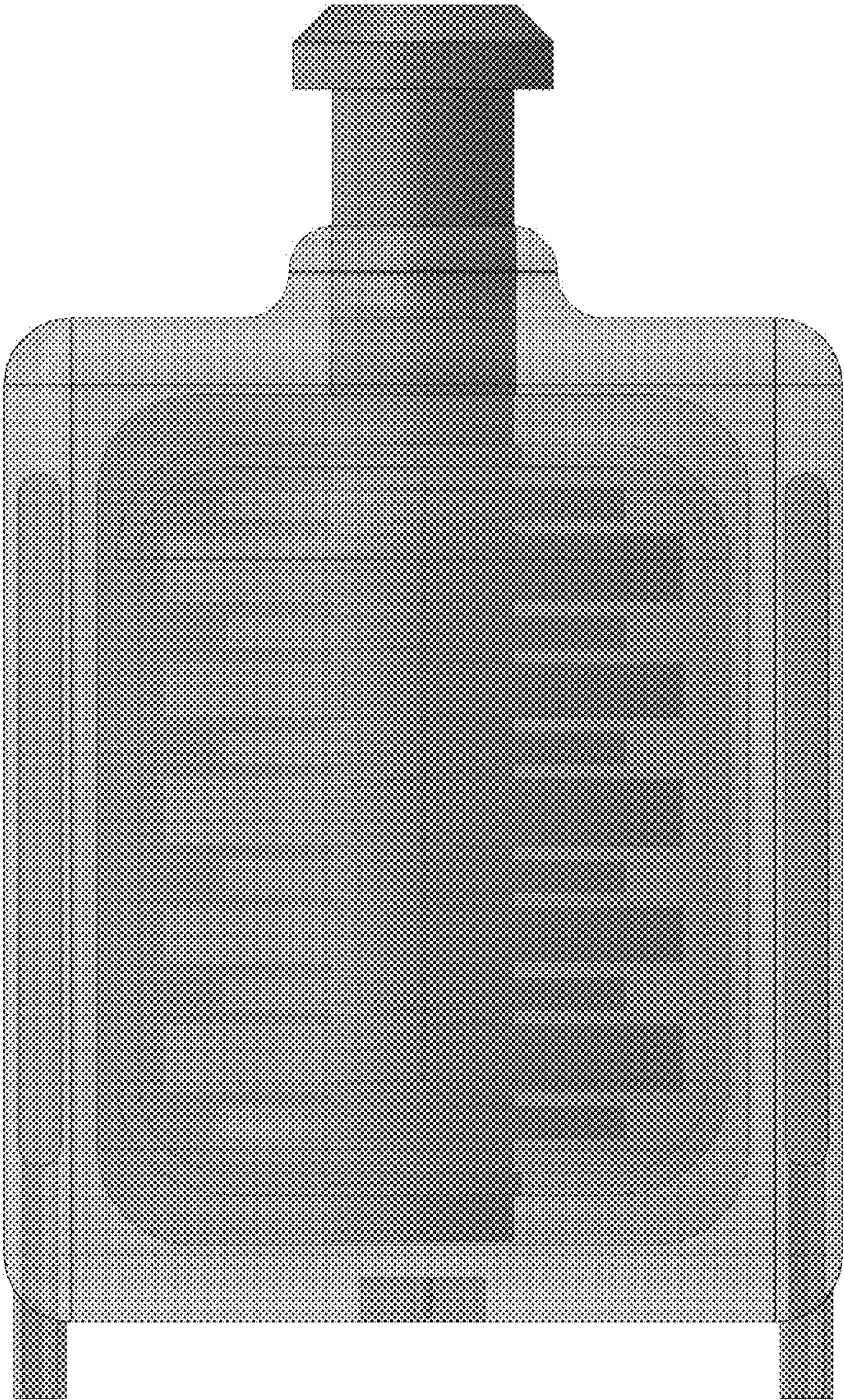


FIG. 7

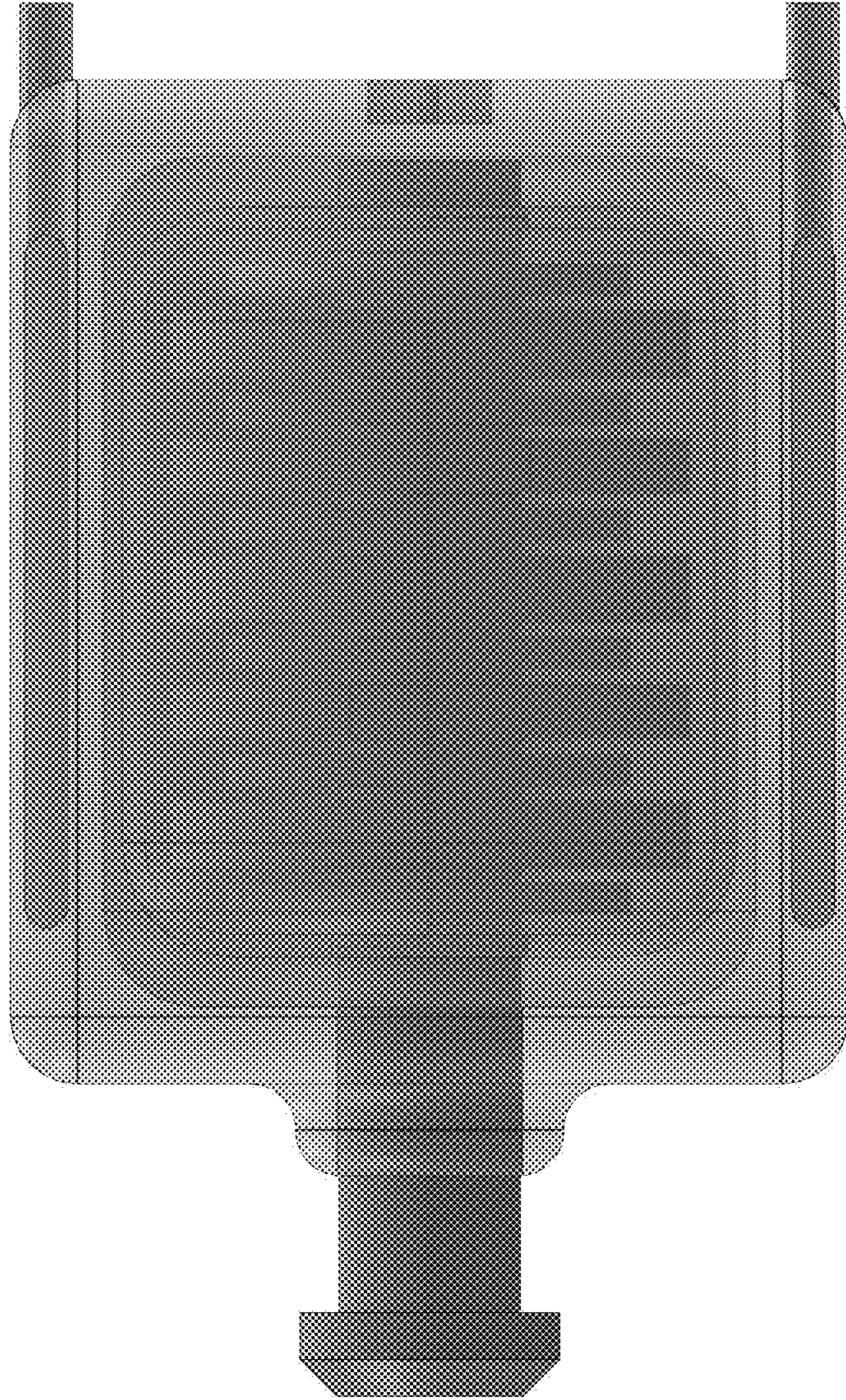


FIG. 8

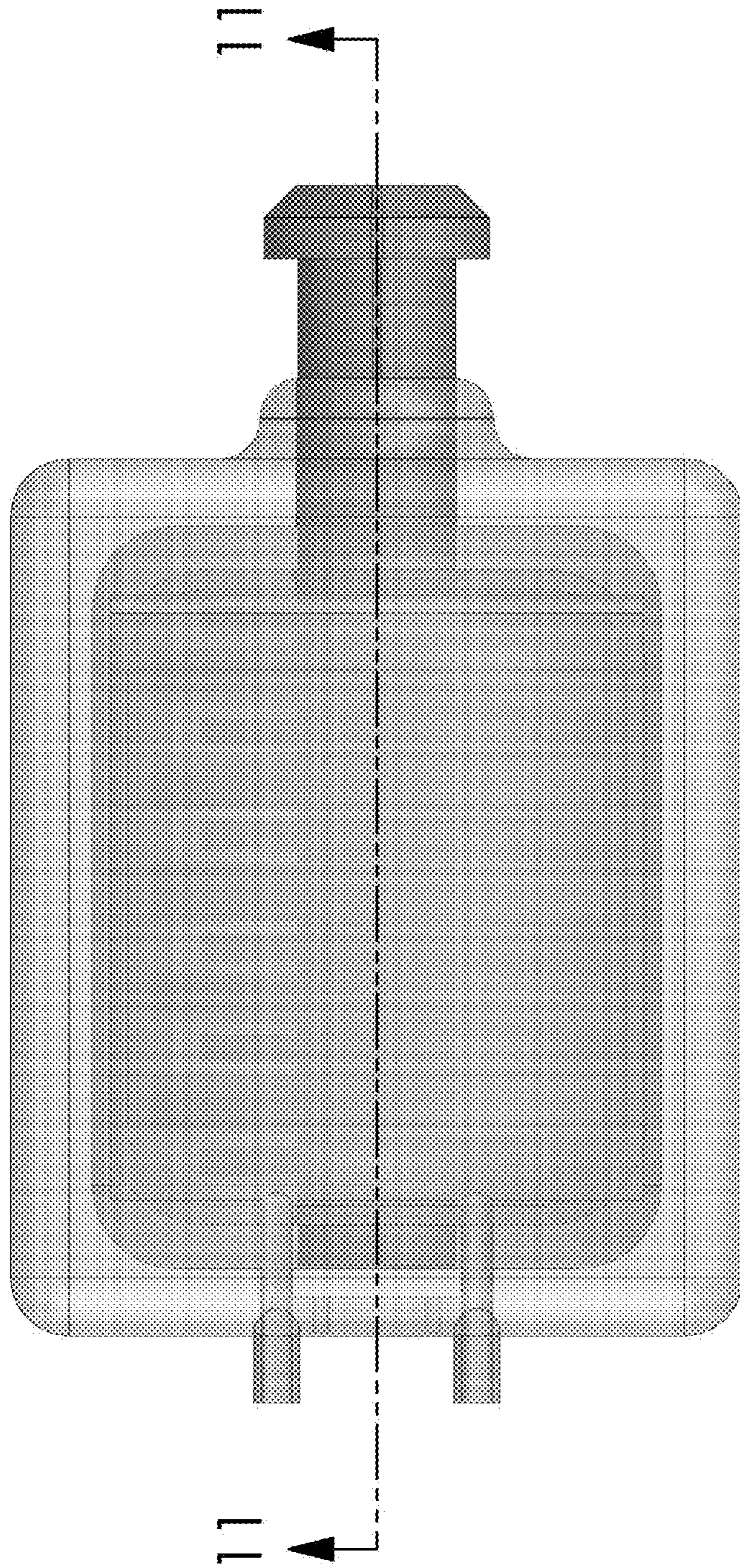


FIG. 9

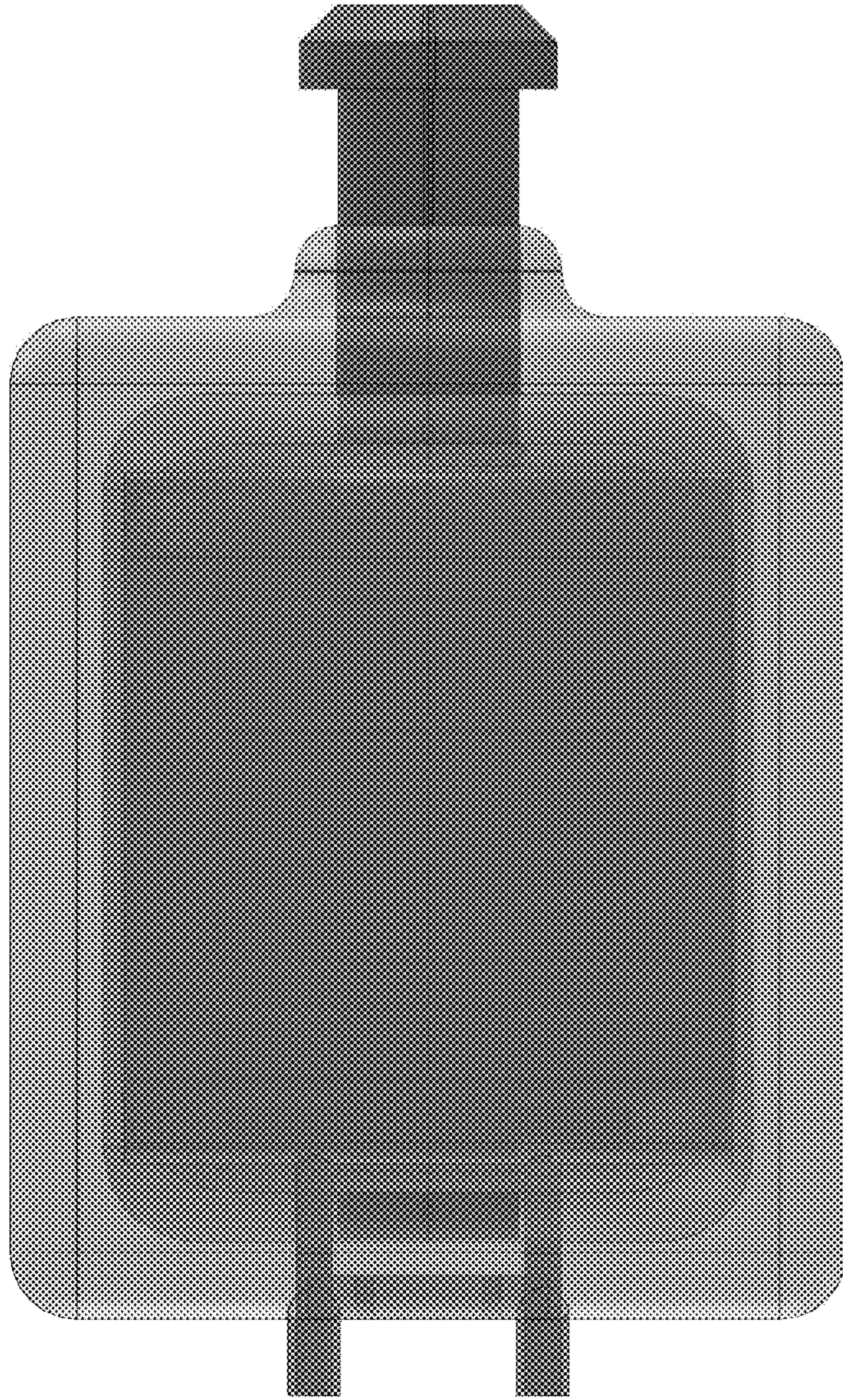


FIG. 10

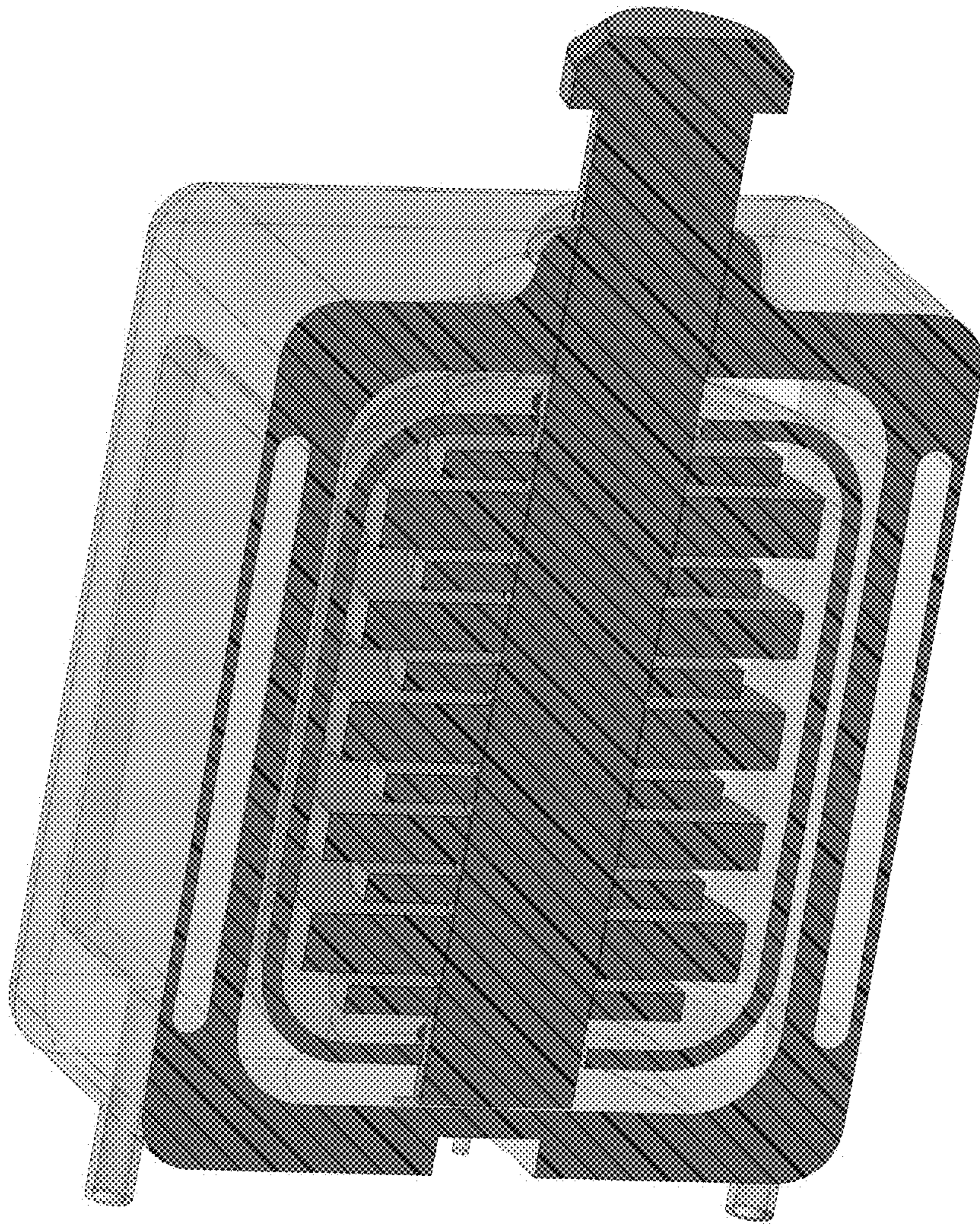


FIG. 11