



US00D958743S

(12) **United States Design Patent** (10) **Patent No.:** **US D958,743 S**
Zhihua et al. (45) **Date of Patent:** **** Jul. 26, 2022**

(54) **ELECTRIC GENERATOR**

(71) Applicant: **Cummins Generator Technologies Limited**, Peterborough (GB)

(72) Inventors: **Yang Zhihua**, Peterborough (GB); **Wu Qiang**, Peterborough (GB); **Hua Dong**, Peterborough (GB); **Chen Qianyun**, Peterborough (GB); **Shen Xiaoyan**, Peterborough (GB)

(73) Assignee: **Cummins Generator Technologies Limited**, Peterborough (GB)

(**) Term: **15 Years**

(21) Appl. No.: **29/748,819**

(22) Filed: **Sep. 1, 2020**

(30) **Foreign Application Priority Data**

Mar. 2, 2020 (EM) 007724810
Aug. 11, 2020 (EM) 008101851

(51) **LOC (13) Cl.** **13-02**

(52) **U.S. Cl.**
USPC **D13/112**

(58) **Field of Classification Search**
USPC D13/101, 110, 112, 113–118, 122, 123,
D13/162, 184, 199; D15/3, 5, 199
(Continued)

(56) **References Cited**

U.S. PATENT DOCUMENTS

D511,323 S * 11/2005 Kato D13/115
D618,615 S * 6/2010 Basic D13/114
(Continued)

OTHER PUBLICATIONS

Generators. (Design—© Questel) orbit.com. [Online PDF compilation of references] 23 pgs. Print Dates Range Sep. 1, 2020-Aug. 10, 2018 [Retrieved Feb. 15, 2022].*

(Continued)

Primary Examiner — Manpreet S Matharu

Assistant Examiner — Suzanne E Tisdell

(74) *Attorney, Agent, or Firm* — Foley & Lardner LLP

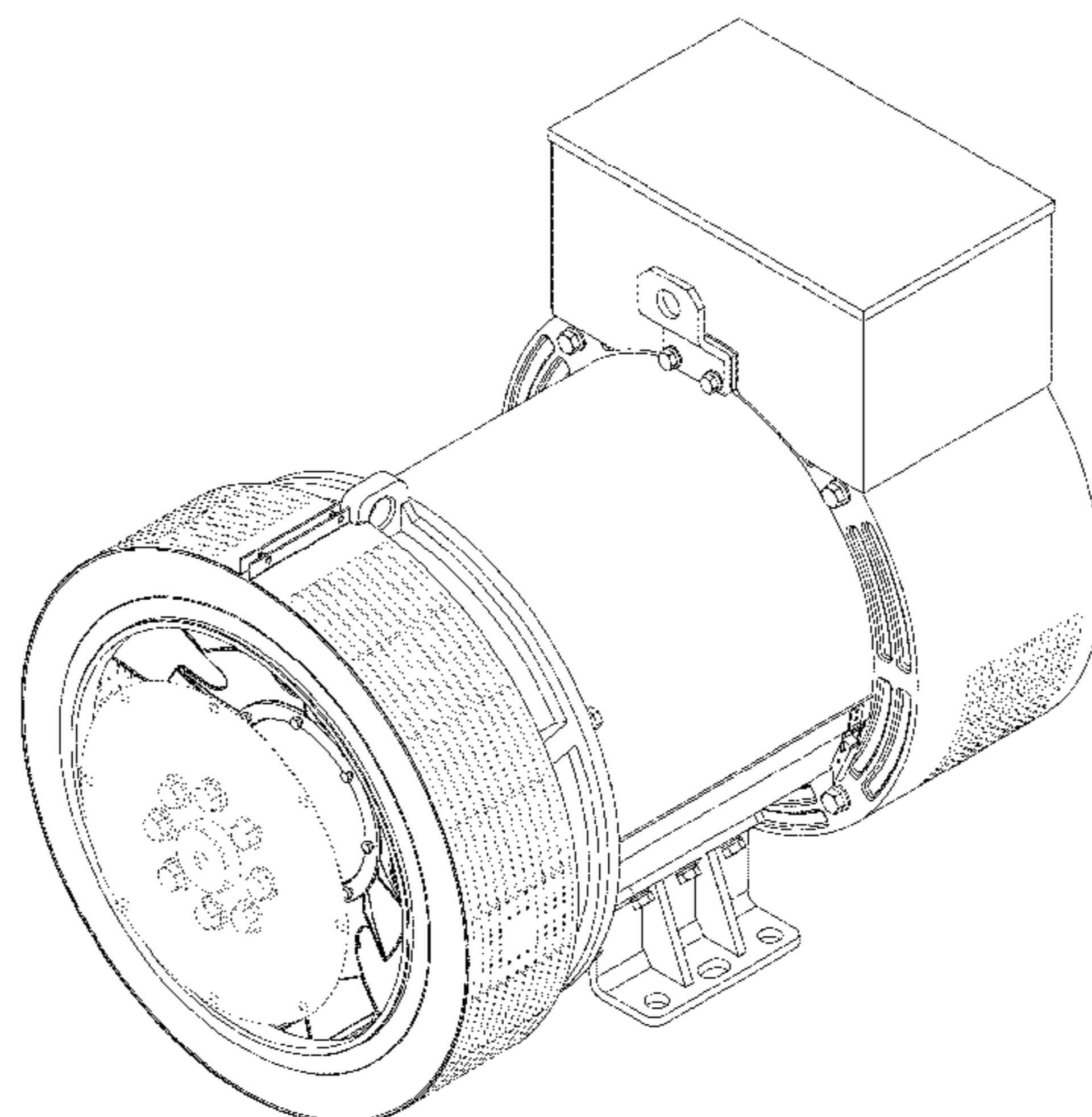
(57) **CLAIM**

We claim the ornamental design for an electric generator, as shown and described.

DESCRIPTION

FIG. 1 is a perspective view of an embodiment of the claimed design;
 FIG. 2 is a front view of the claimed design of FIG. 1;
 FIG. 3 is a rear view of the claimed design of FIG. 1;
 FIG. 4 is a first side view of the claimed design of FIG. 1;
 FIG. 5 is a second side view of the claimed design of FIG. 1;
 FIG. 6 is a top plan view of the claimed design in FIG. 1;
 FIG. 7 is a bottom view of the claimed design in FIG. 1;
 FIG. 8 is a perspective view of another embodiment of the claimed design;
 FIG. 9 is a front view of the claimed design of FIG. 8;
 FIG. 10 is a rear view of the claimed design of FIG. 8;
 FIG. 11 is a first side view of the claimed design of FIG. 8;
 FIG. 12 is a second side view of the claimed design of FIG. 8;
 FIG. 13 is a top plan view of the claimed design in FIG. 8;
 FIG. 14 is a bottom view of the claimed design in FIG. 8;
 FIG. 15 is a perspective view of another embodiment of the claimed design;
 FIG. 16 is a front view of the claimed design of FIG. 15;
 FIG. 17 is a rear view of the claimed design of FIG. 15;
 FIG. 18 is a first side view of the claimed design of FIG. 15;
 FIG. 19 is a second side view of the claimed design of FIG. 15;
 FIG. 20 is a top plan view of the claimed design in FIG. 15;
 and,
 FIG. 21 is a bottom view of the claimed design in FIG. 15.

(Continued)



The broken lines shown in the drawings illustrate portions of the claimed electric generator that form no part of the claimed design.

D766,828 S	*	9/2016	Yamada	D13/112
D768,079 S	*	10/2016	Yamada	D13/112
D773,995 S	*	12/2016	Jabaji	D13/112
D875,943 S	*	2/2020	Dayton	D24/158

1 Claim, 21 Drawing Sheets

(58) **Field of Classification Search**
CPC F02B 63/04; H02K 3/24; H02K 3/47
See application file for complete search history.

(56) **References Cited**

U.S. PATENT DOCUMENTS

D650,332 S	*	12/2011	Pourkermani	D13/114
D680,493 S	*	4/2013	Basic	D13/114
D682,784 S	*	5/2013	Tomczak	D13/114
D700,575 S	*	3/2014	Andersson	D13/114
D705,165 S	*	5/2014	Canon	D13/114
D753,590 S	*	4/2016	Yamada	D13/112
D754,066 S	*	4/2016	Yamada	D13/112

OTHER PUBLICATIONS

NorthStar PTO Generator. 2009. Northern Tool. https://www.northerntool.com/shop/tools/product_200308467_200308467?https://www.northerntool.com/shop/tools/product_200308467_200308467.*

Winco Portable Generator. Oct. 27, 2020. Absolute Generators. https://www.absolutegenerators.com/winco-portable-generator-w3000h-2400-watt-gfci-honda-carb?matchtype=&network=g&device=c&adposition=&keyword=&gclid=EAIaIQobChMI4r_xx7yC9gIVKgeICR1SdwKPEAQYHCABEgL0Pfd_BwE.*

Winco Generators. 2019. Sale Stores. http://salestores.com/wincogenerat60.html?gclid=EAIaIQobChMI4r_xx7yC9gIVKgeICR1SdwKPEAQYKSABEgJKt_D_BwE#.YgwDpyDMJaQ.*

* cited by examiner

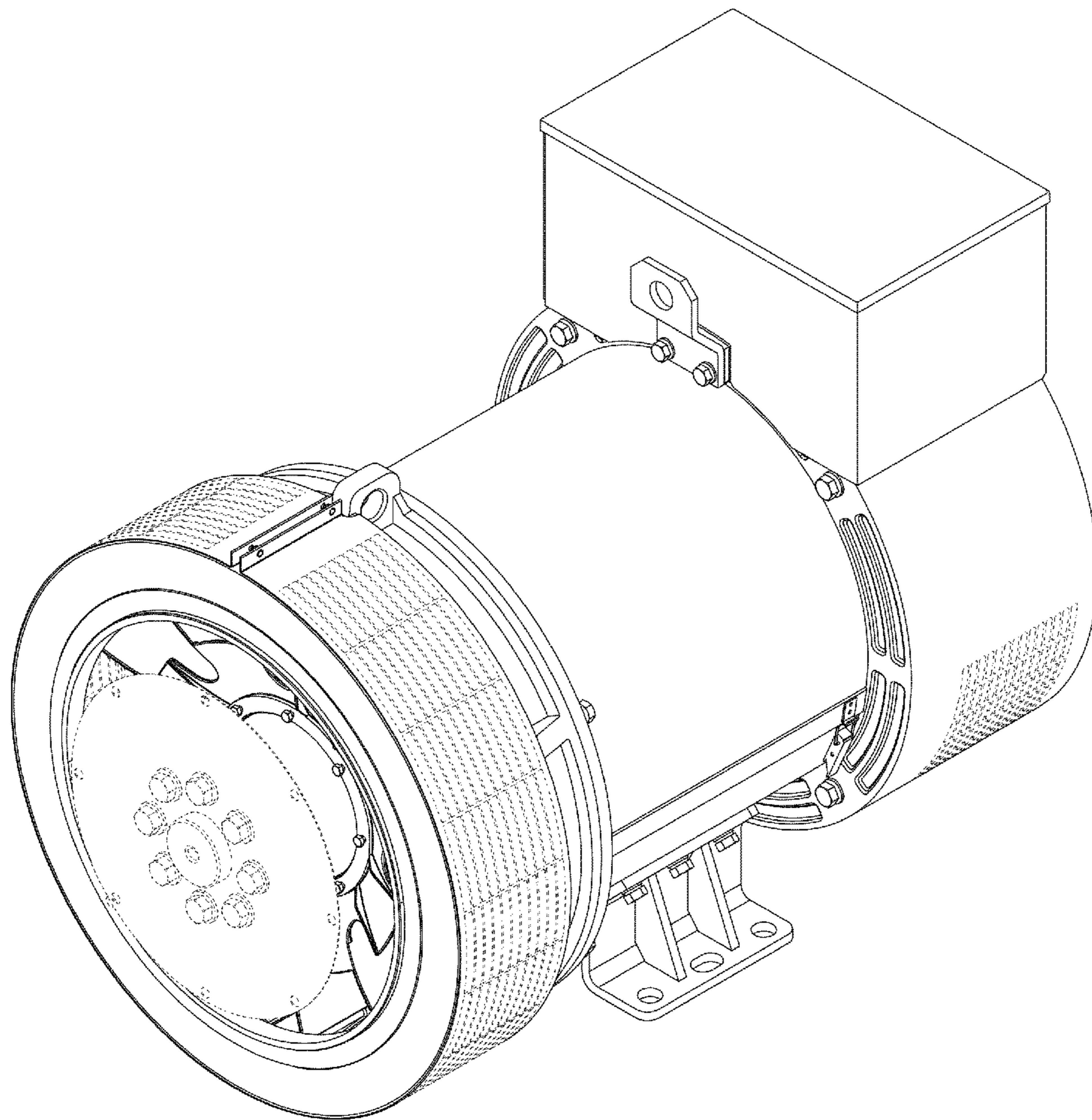


FIG. 1

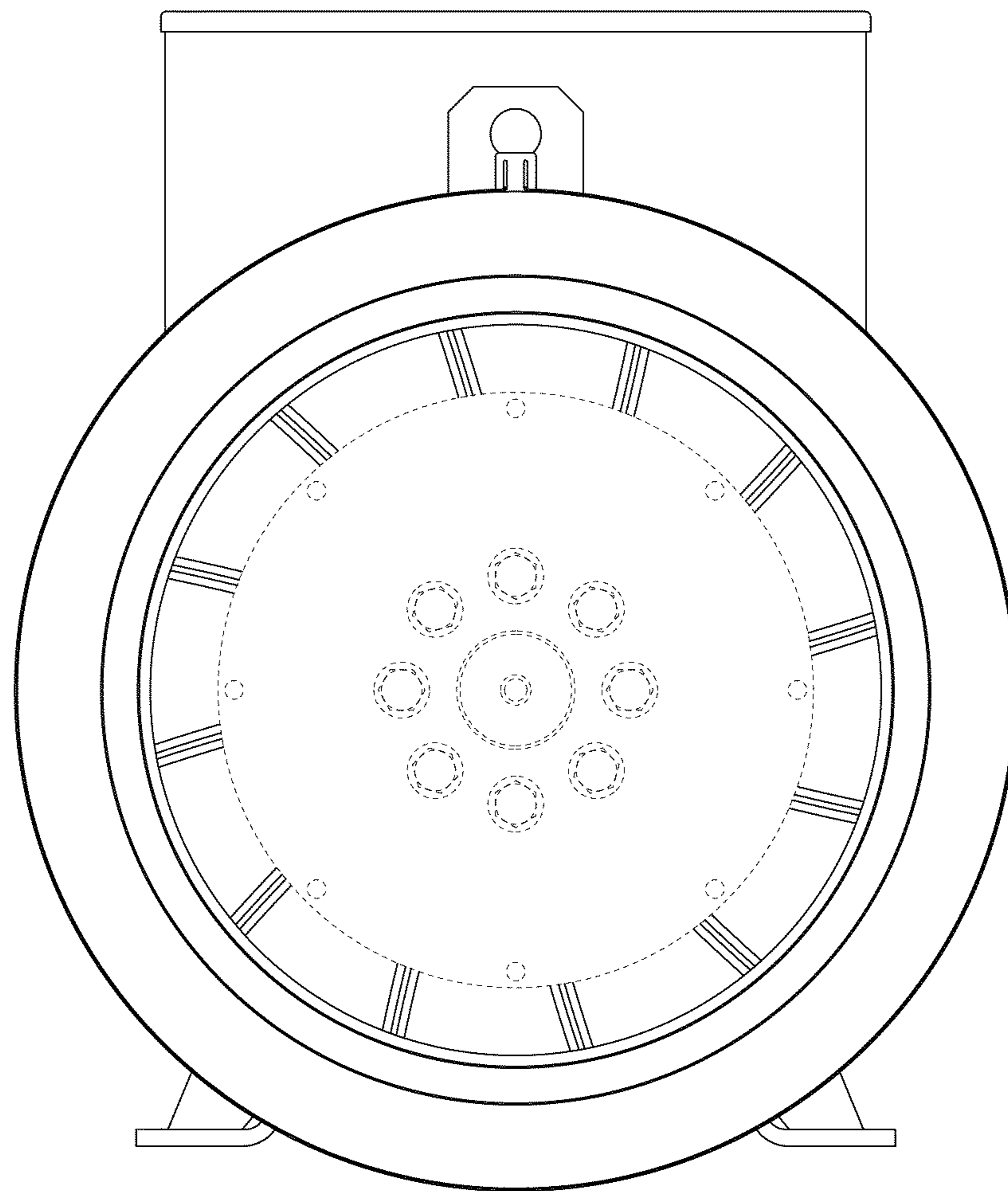


FIG. 2

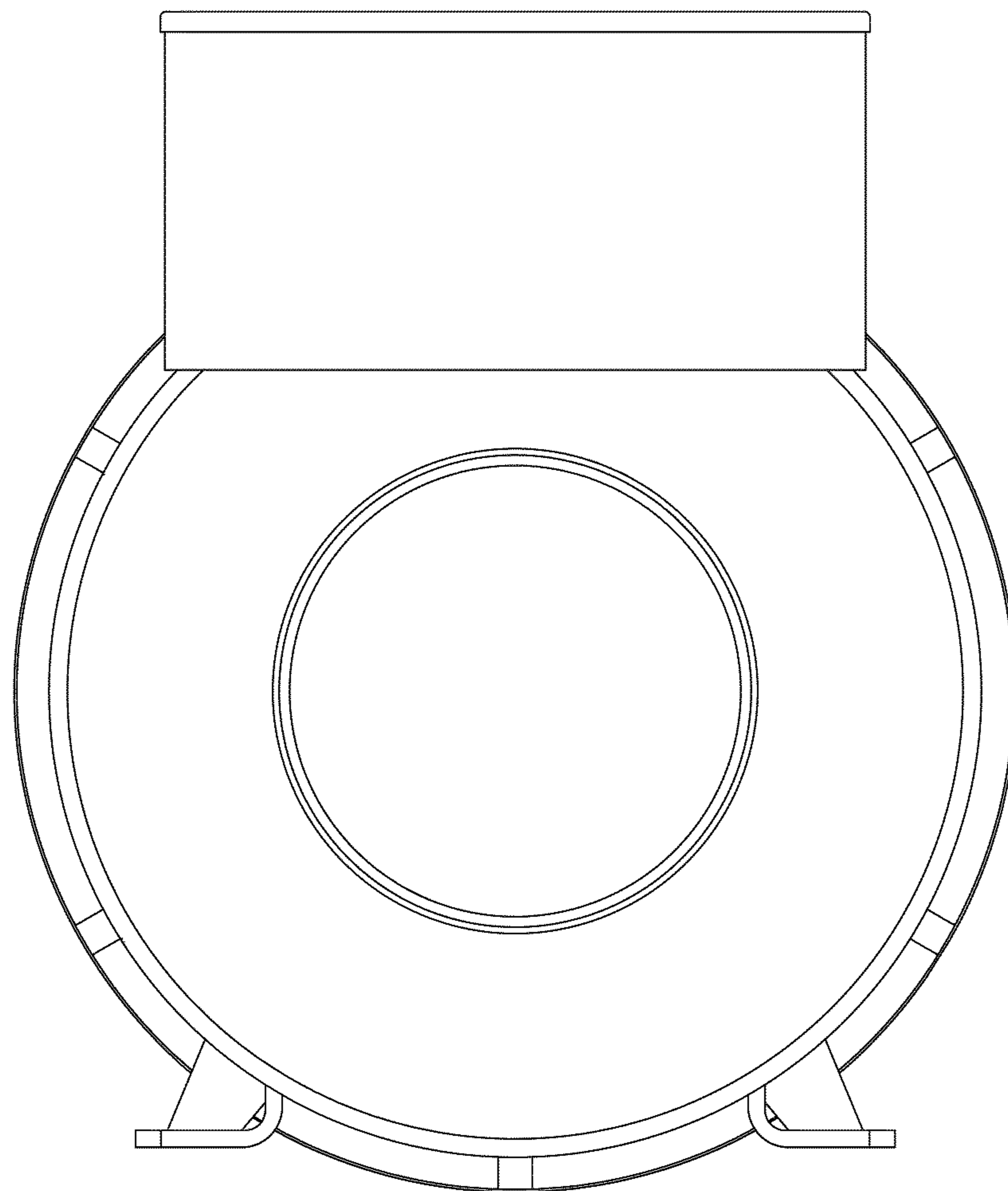


FIG. 3

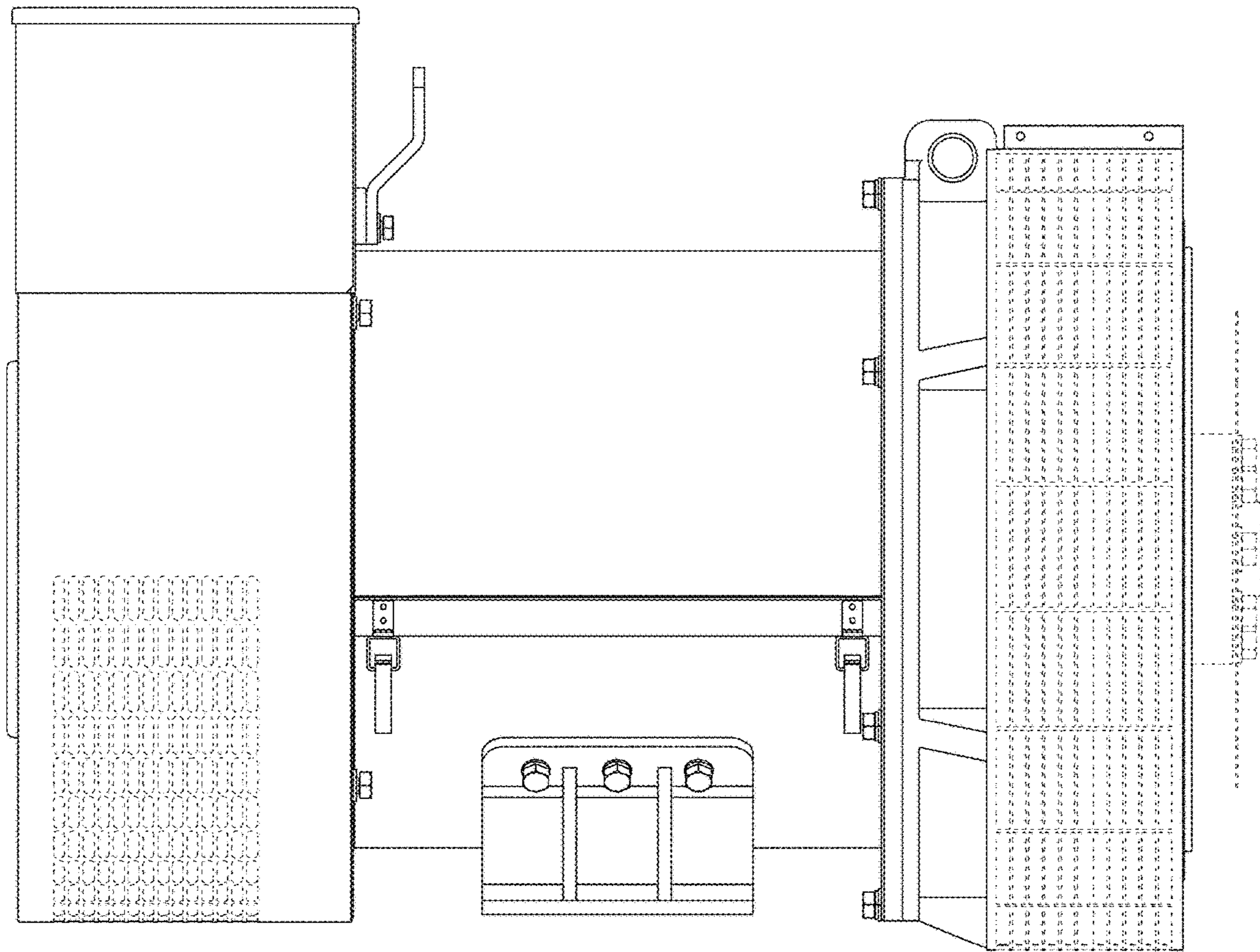


FIG. 4

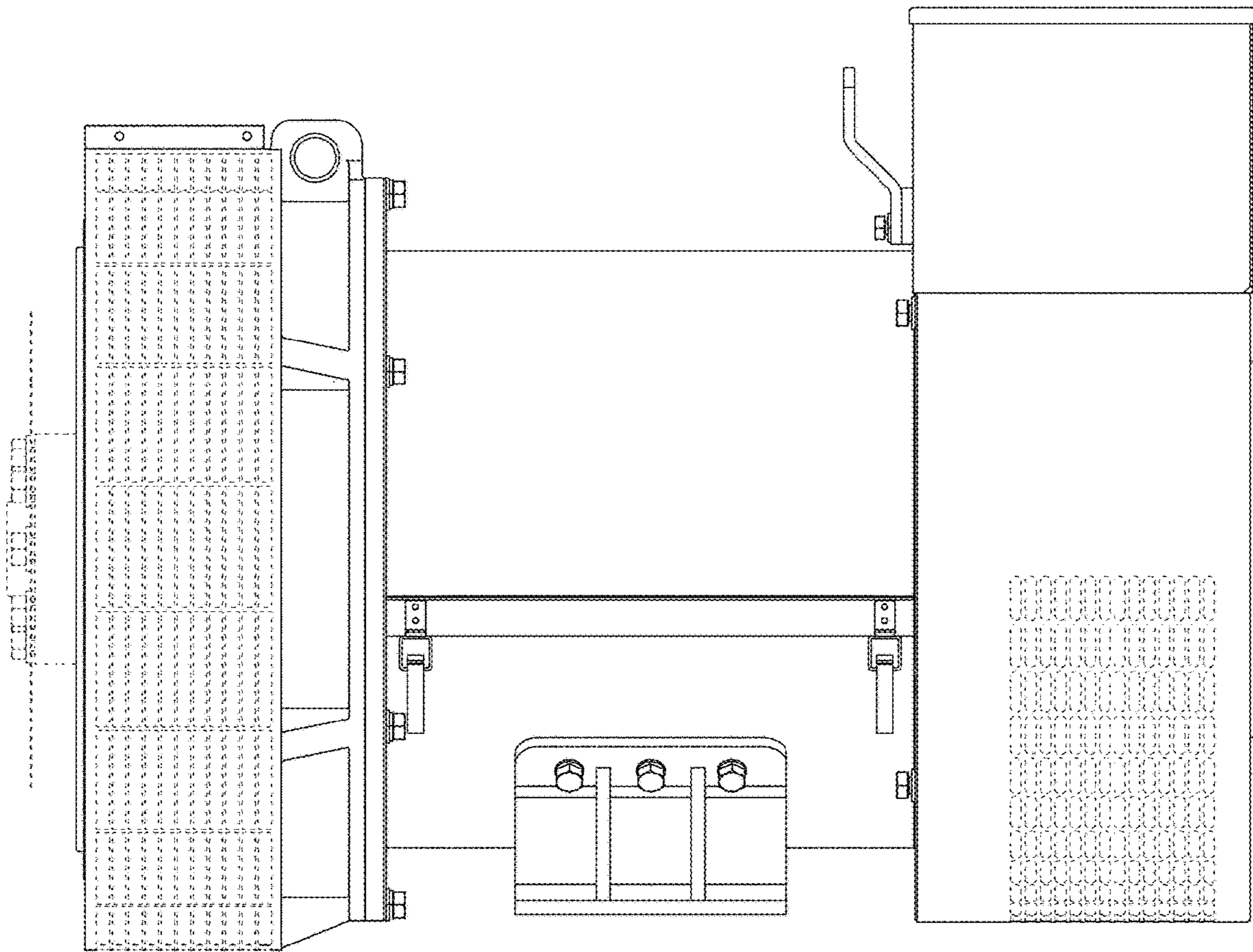


FIG. 5

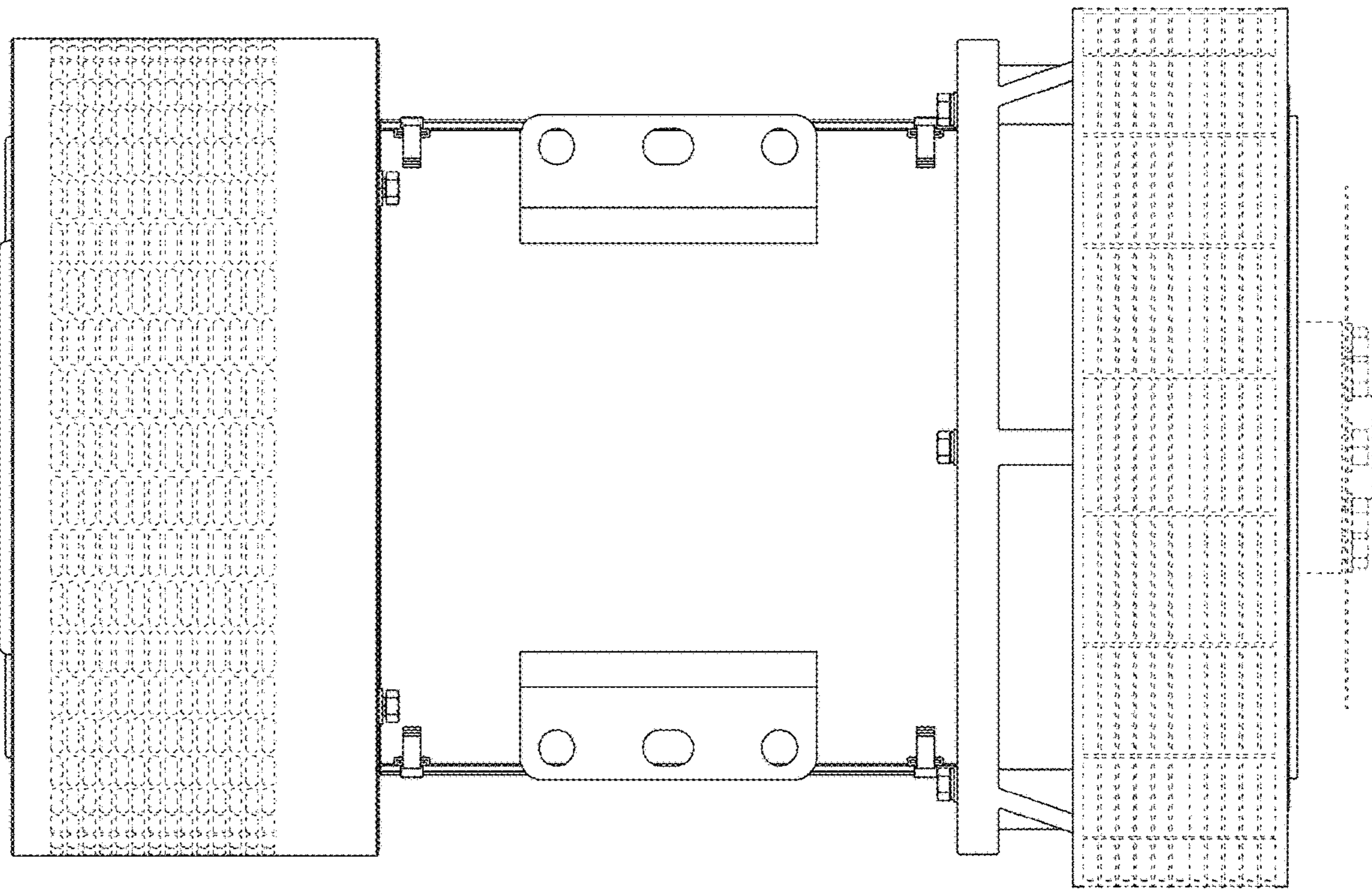


FIG. 6

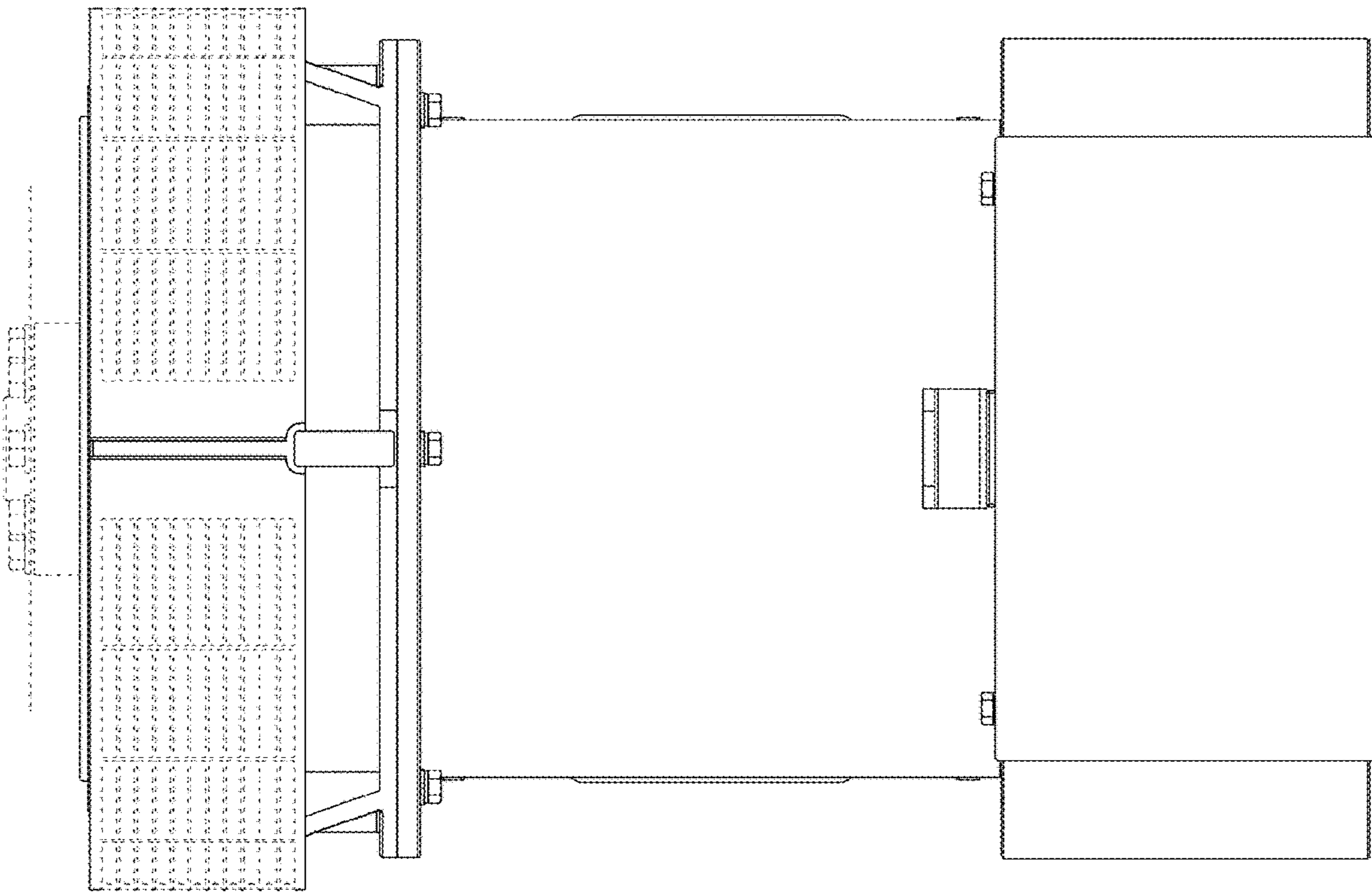


FIG. 7

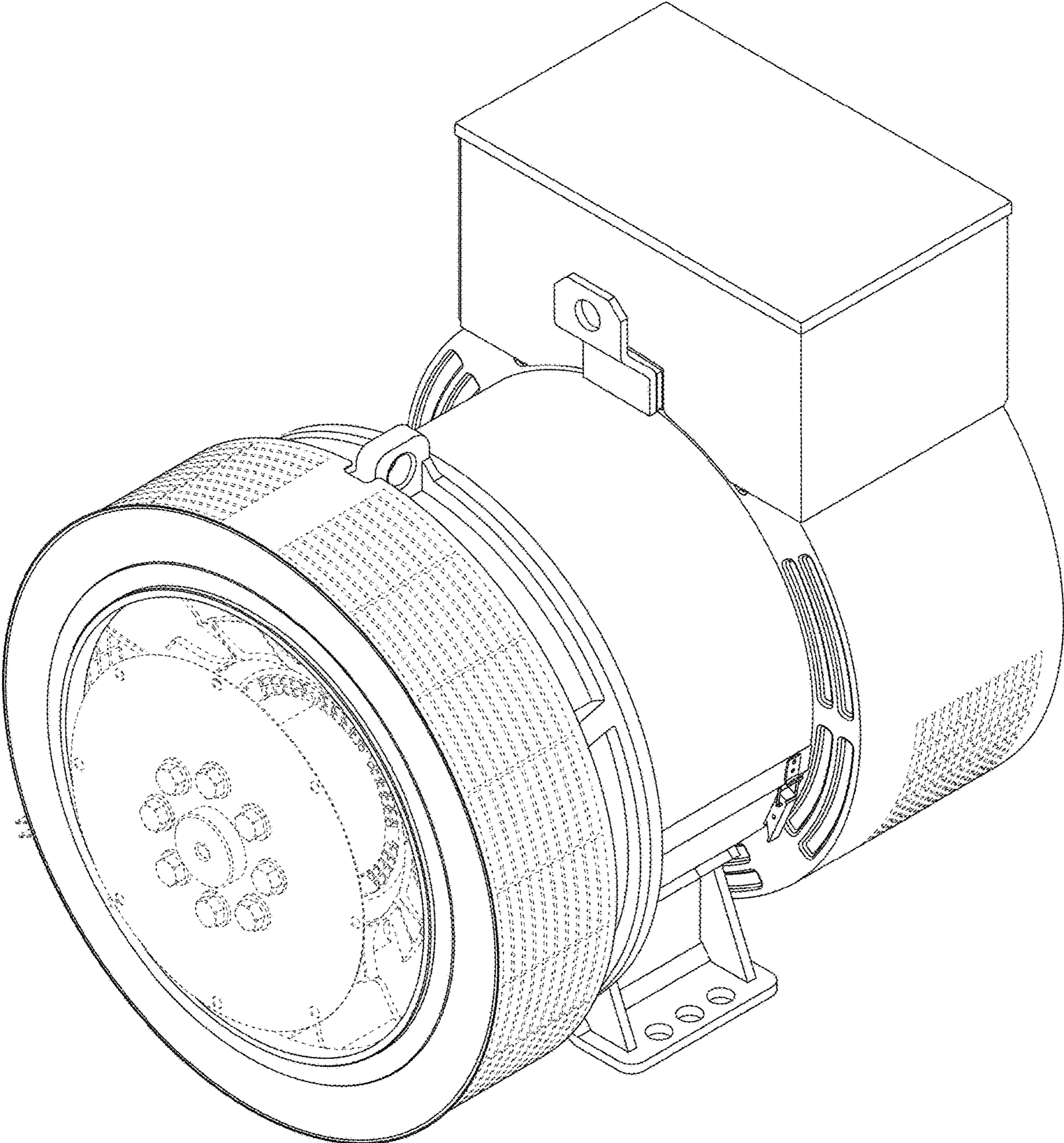


FIG. 8

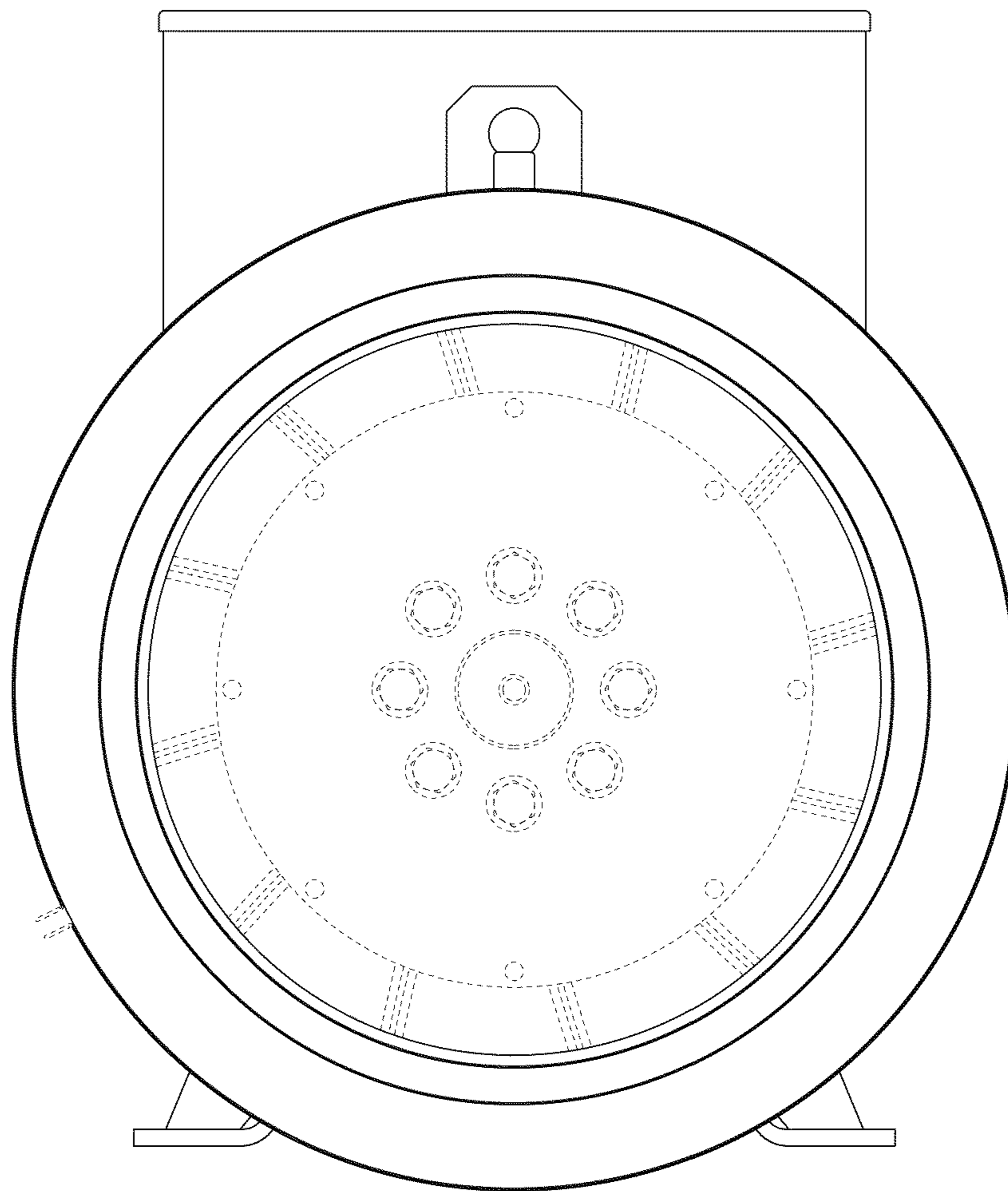


FIG. 9

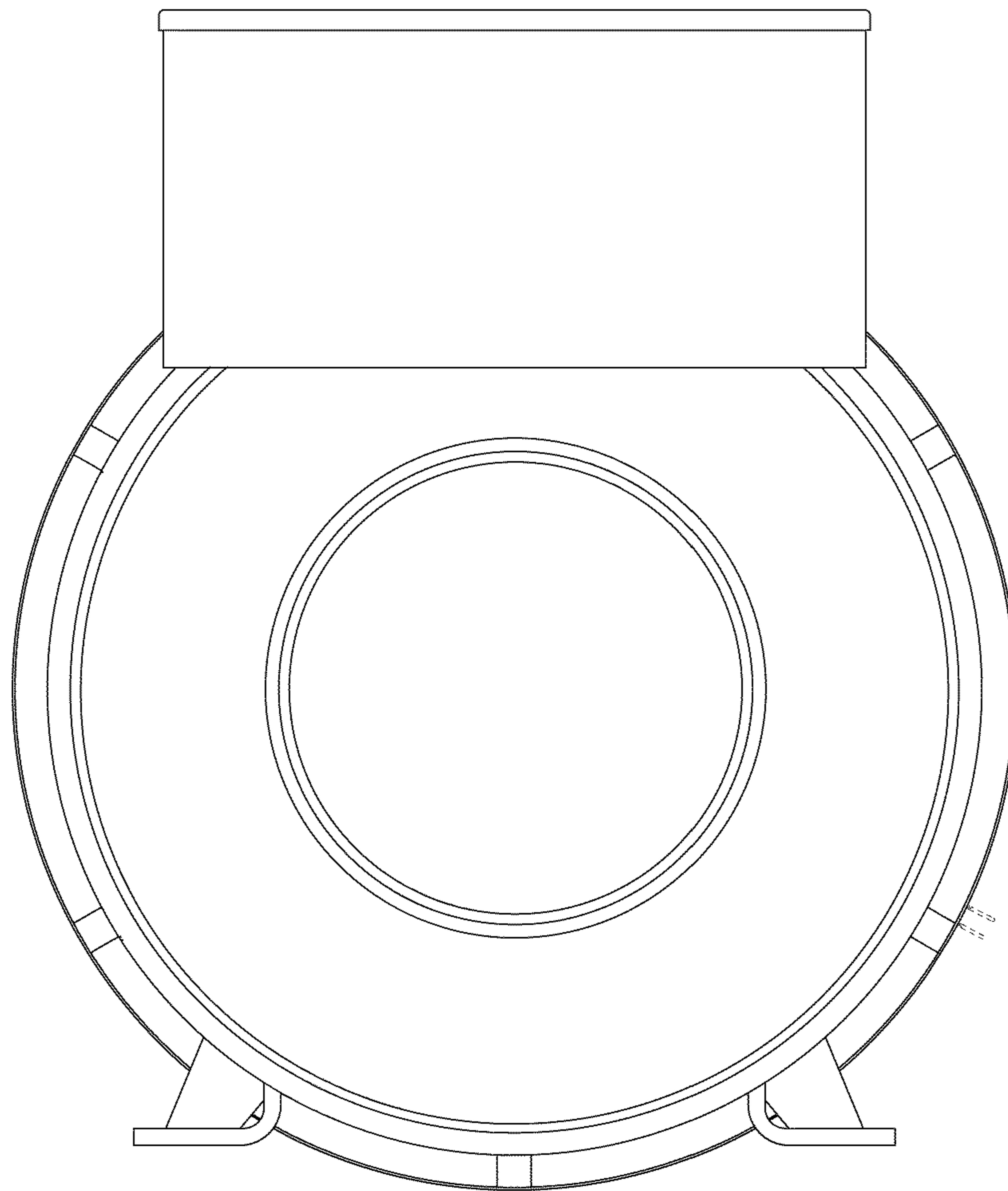


FIG. 10

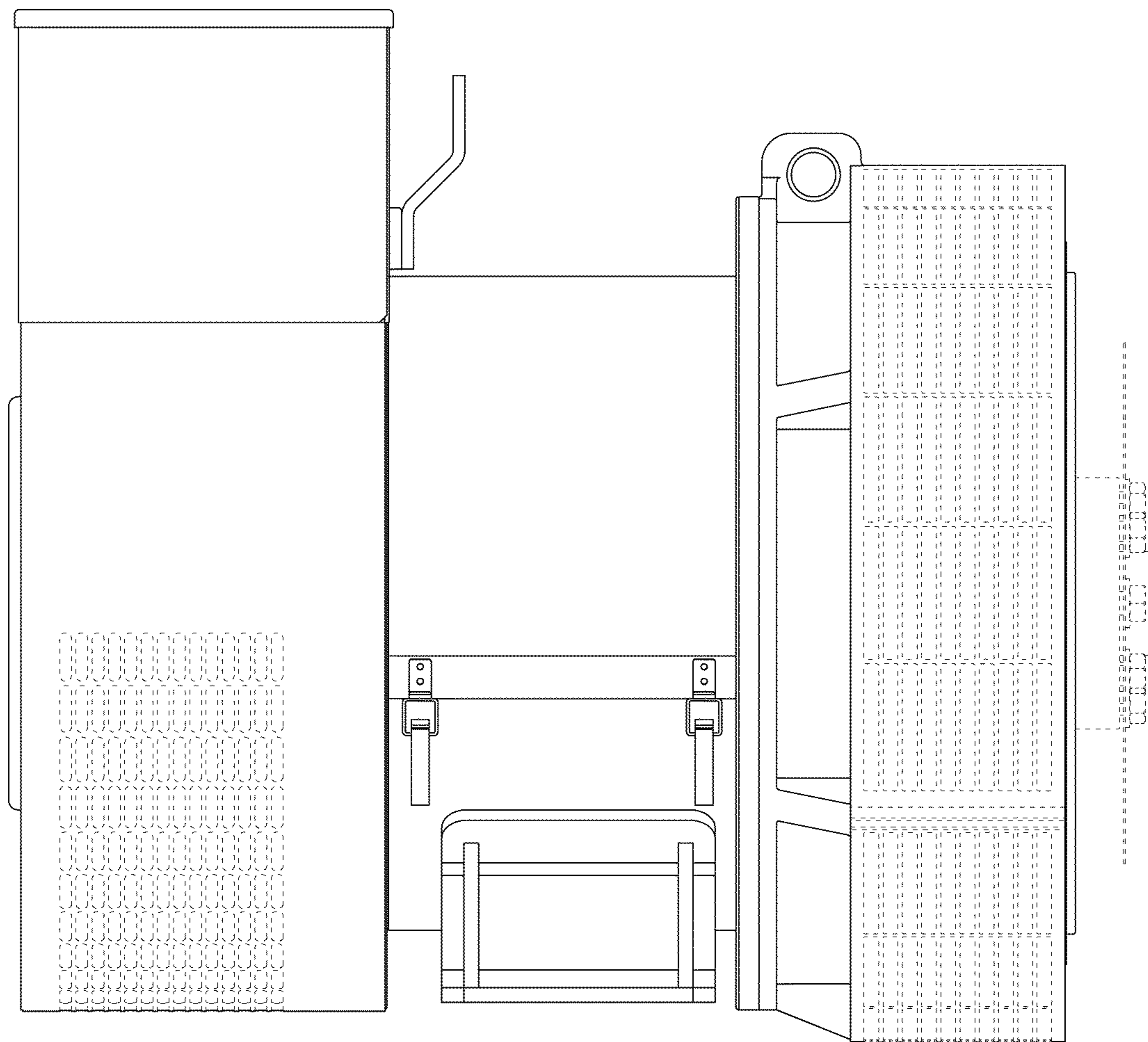


FIG. 11

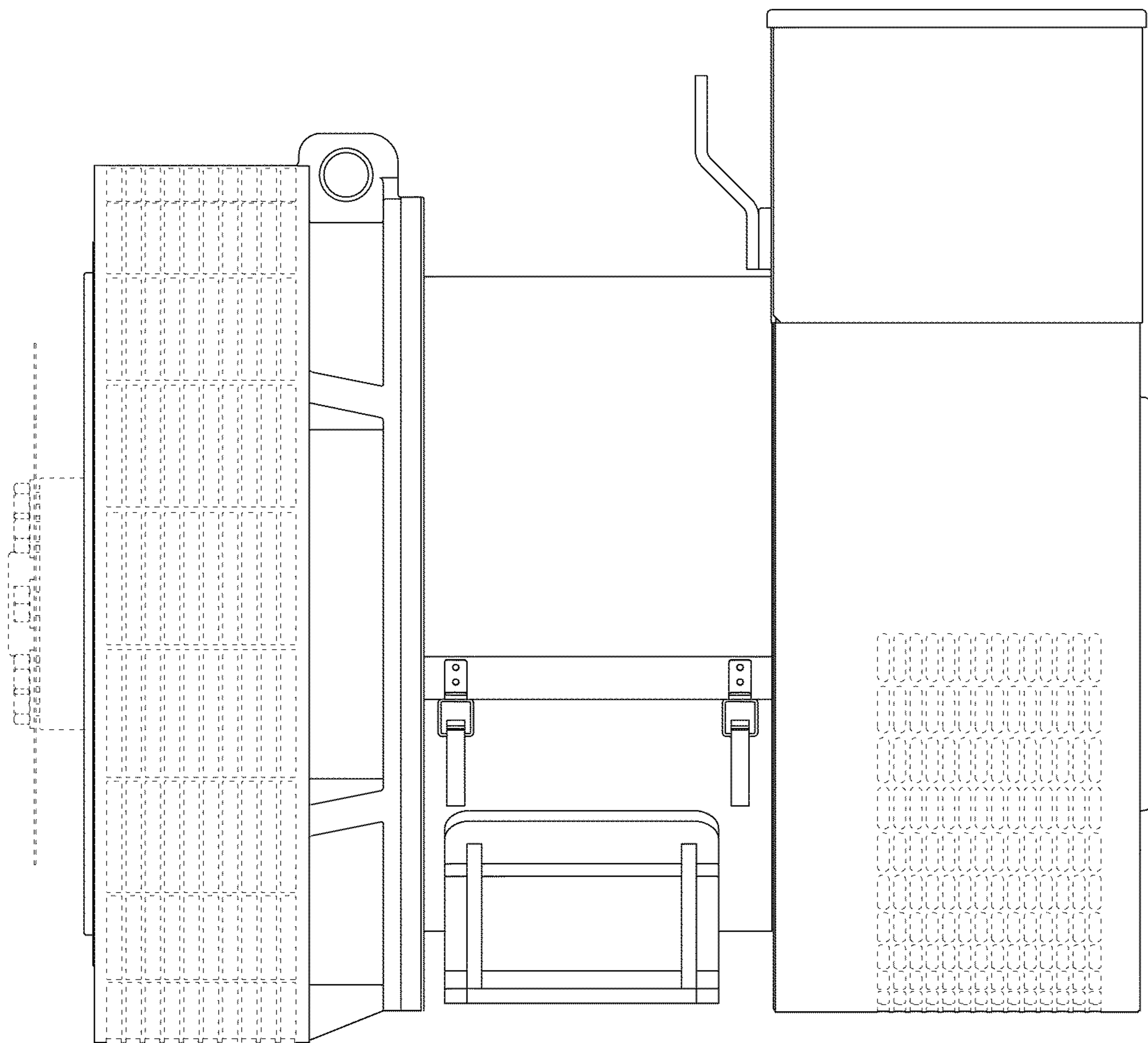


FIG. 12

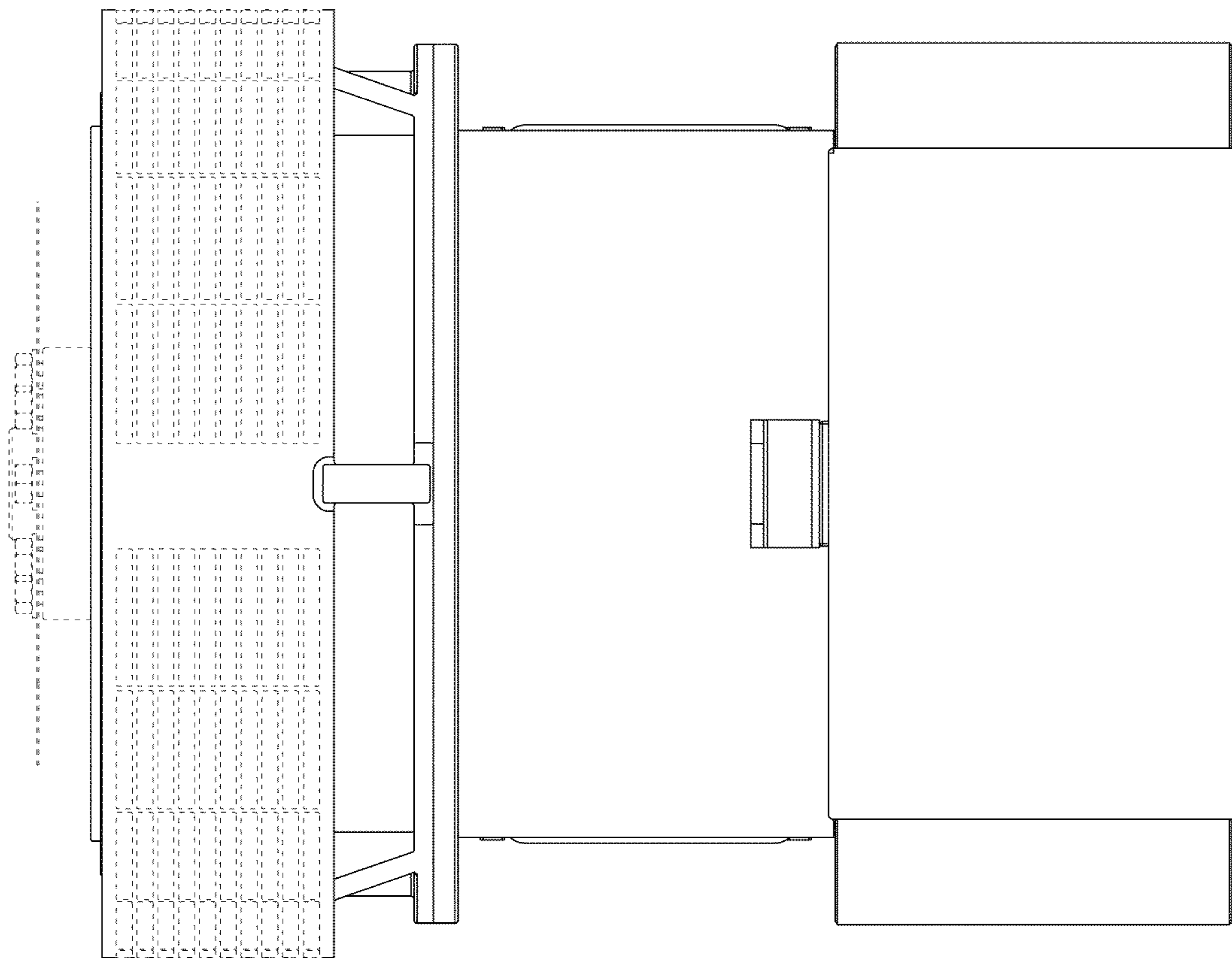


FIG. 13

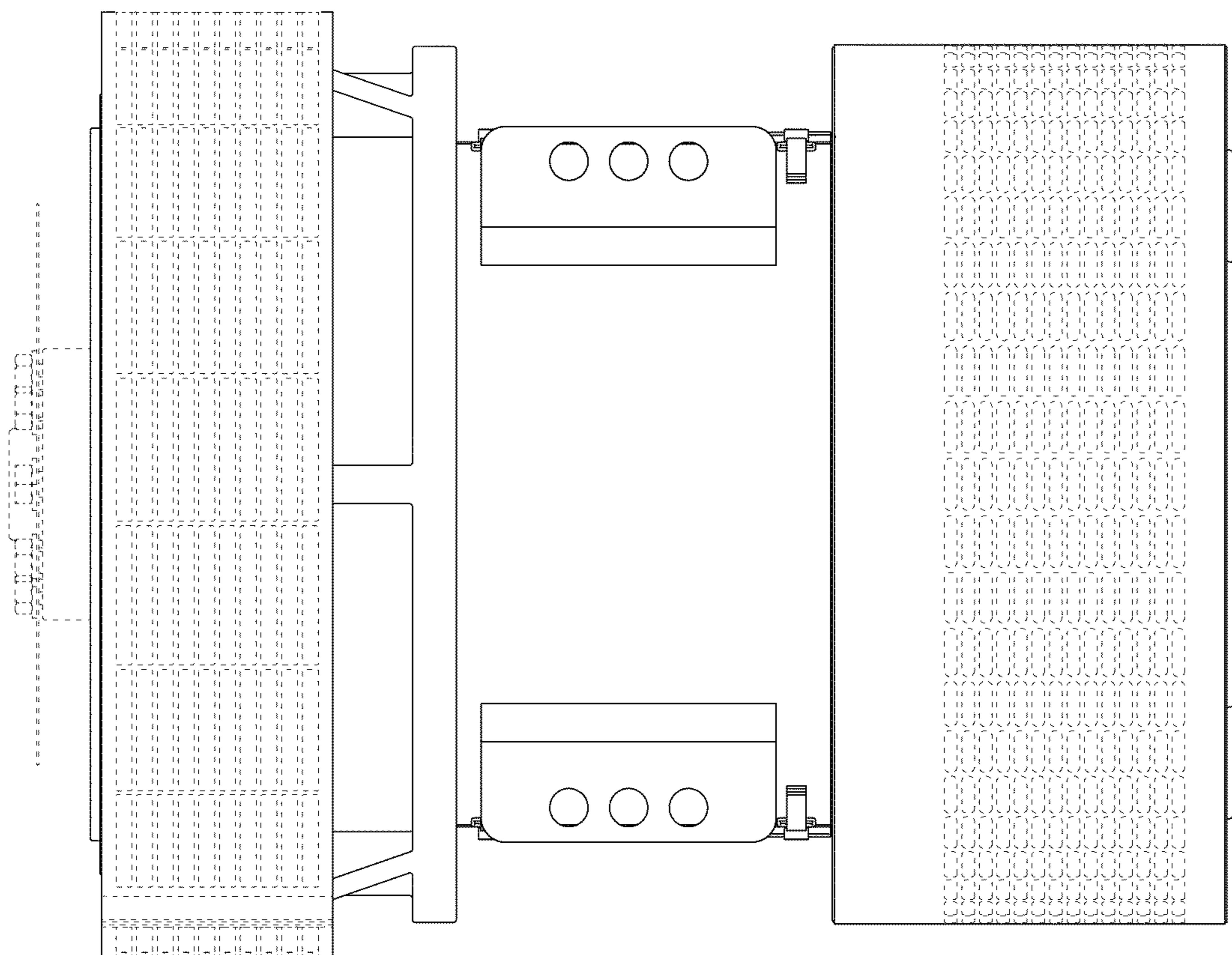


FIG. 14

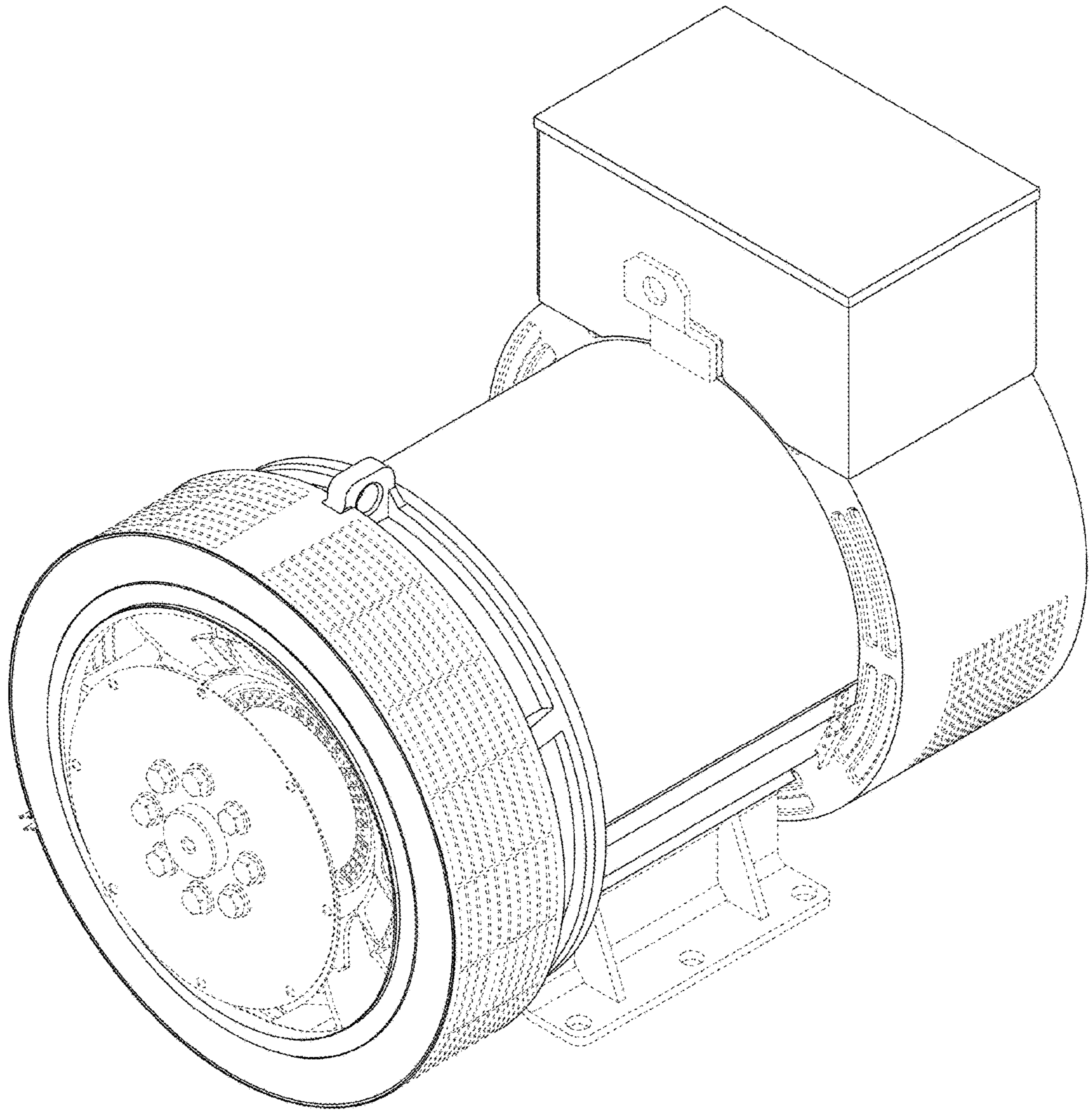


FIG. 15

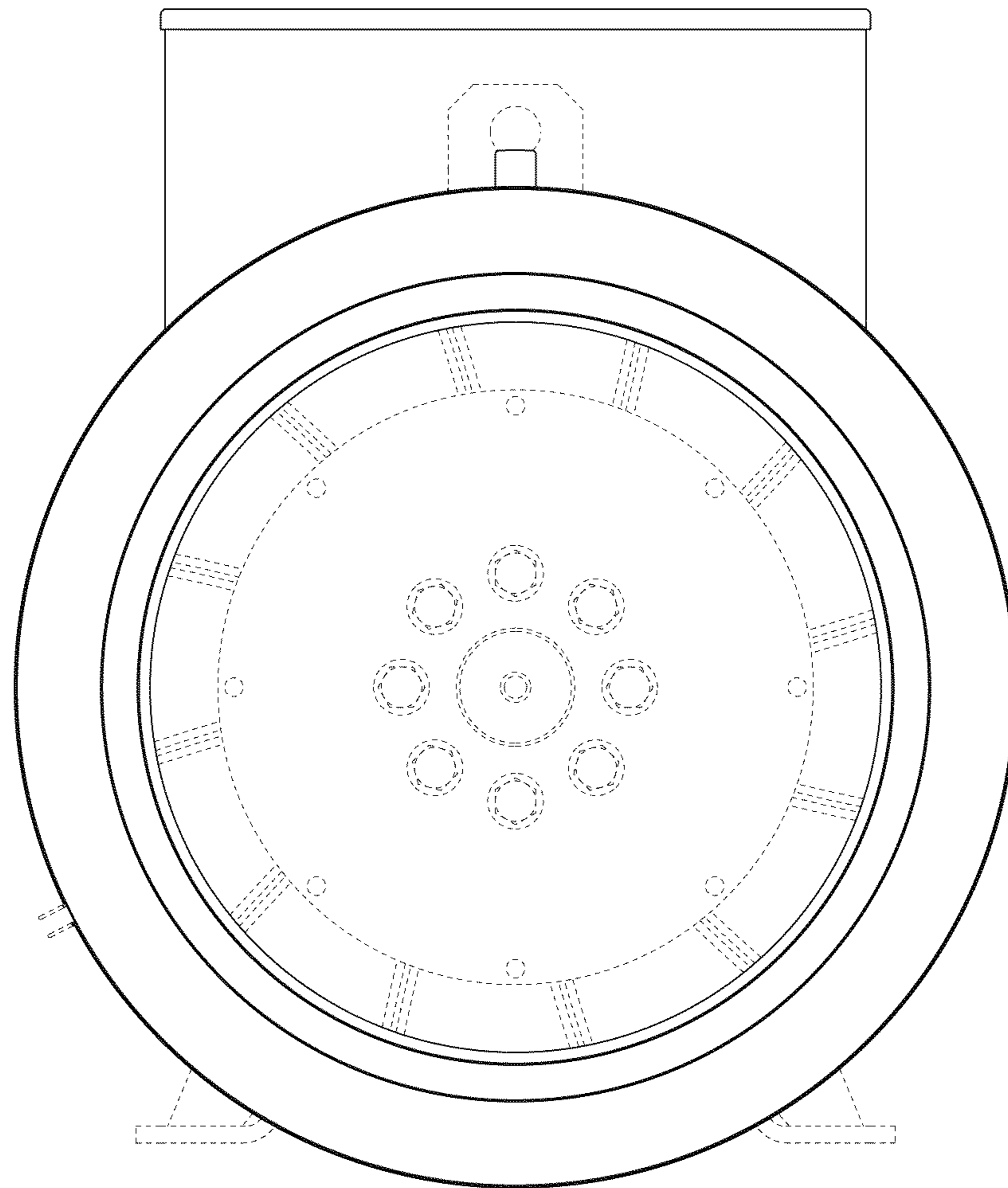


FIG. 16

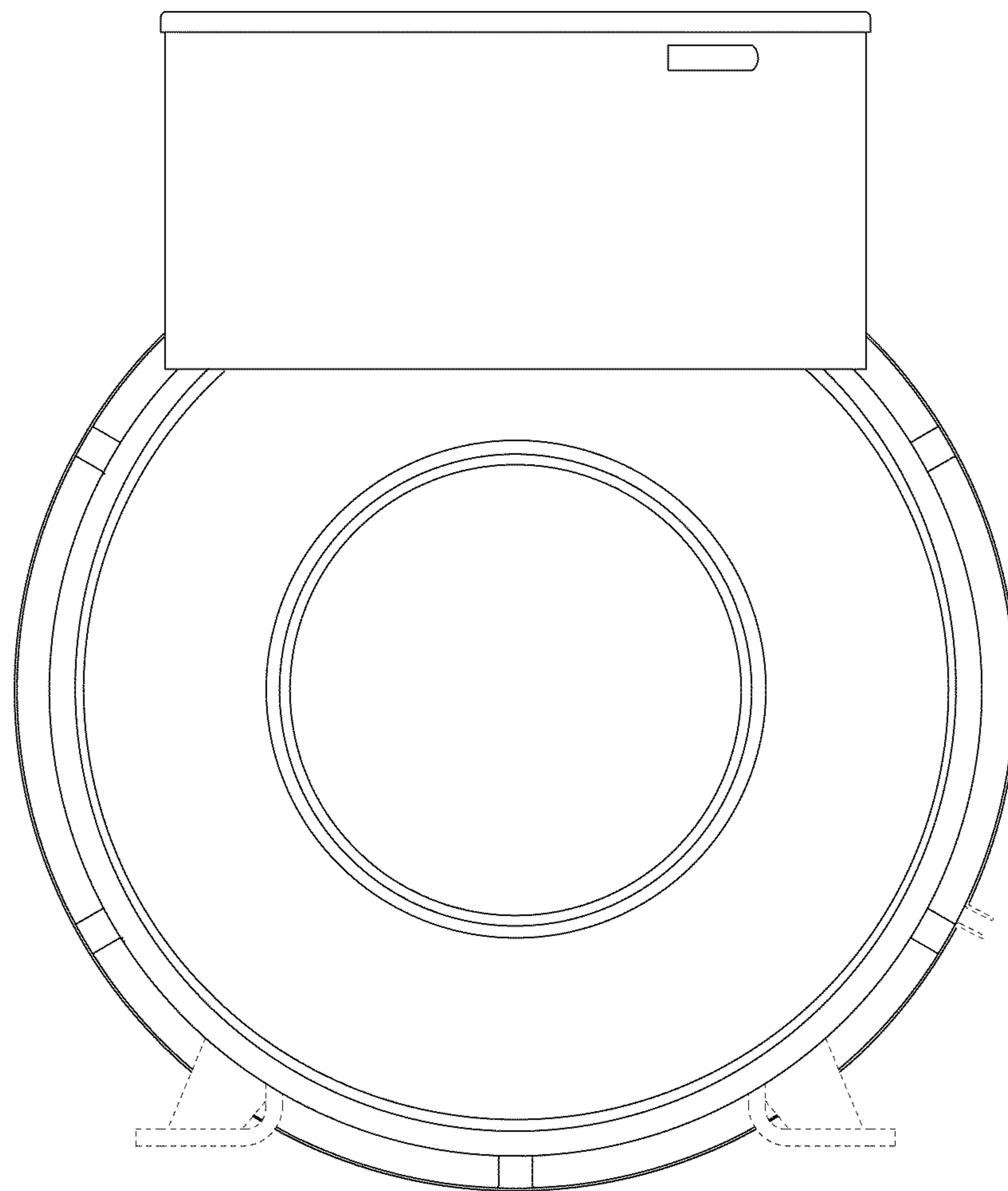


FIG. 17

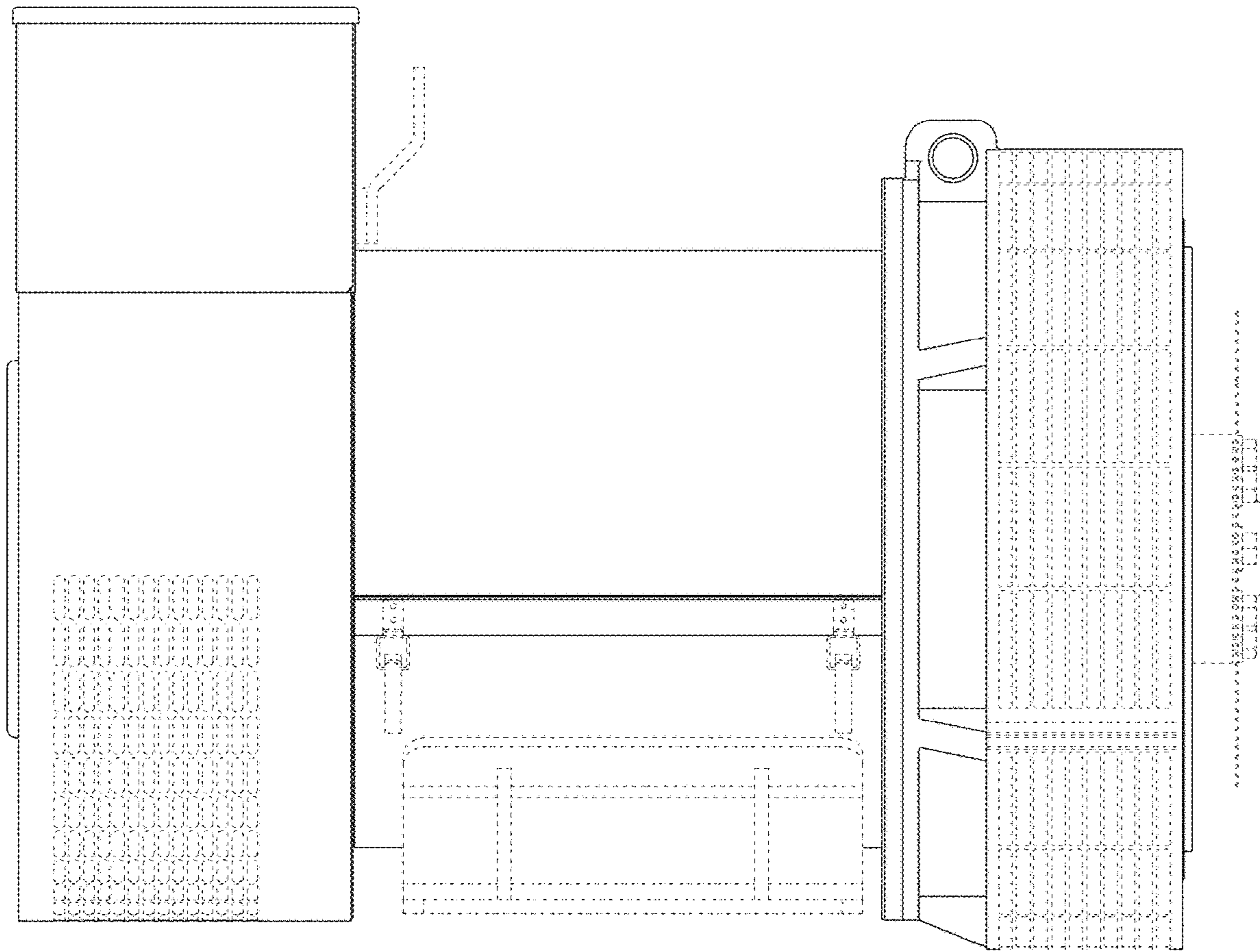


FIG. 18

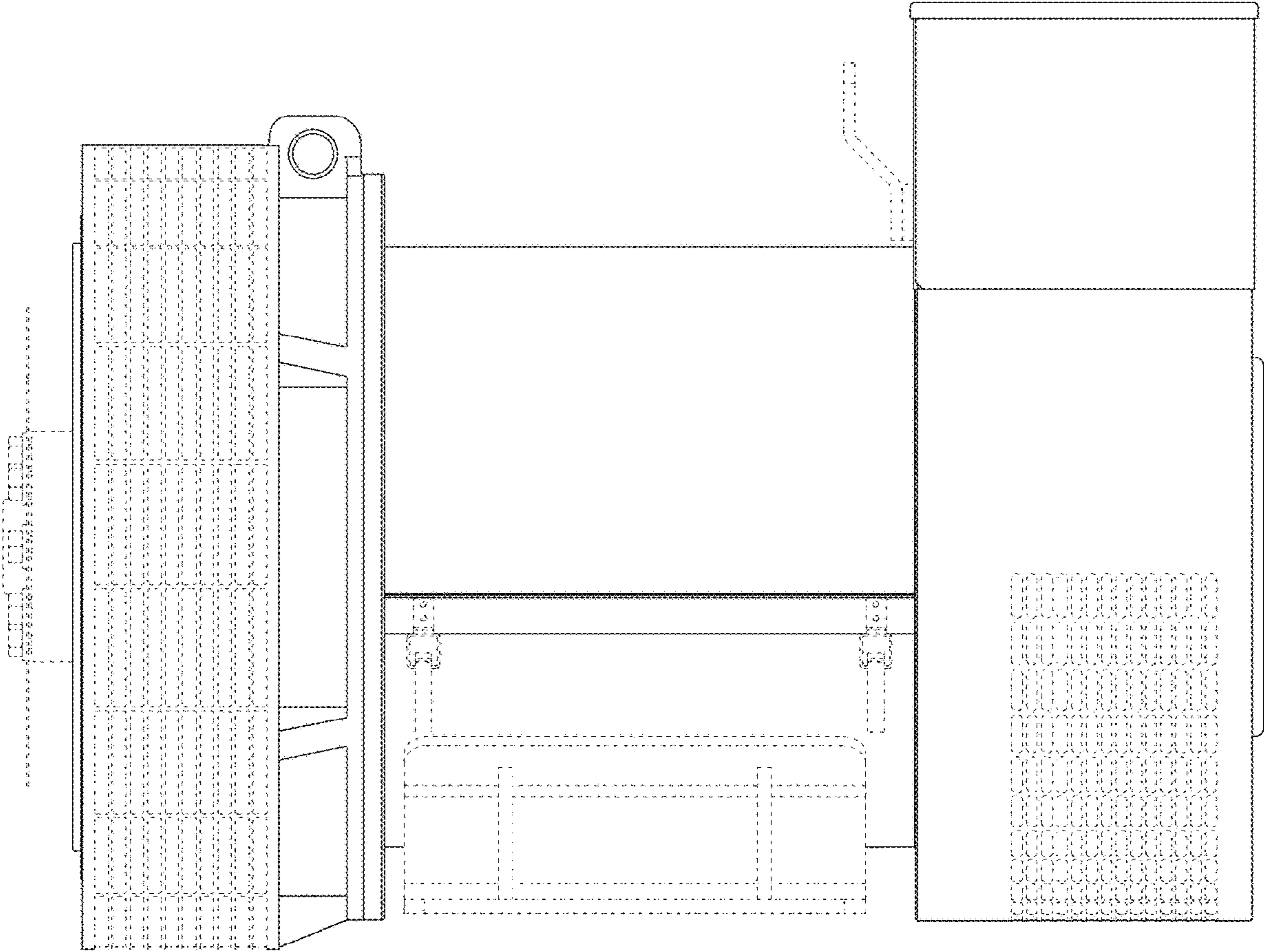


FIG. 19

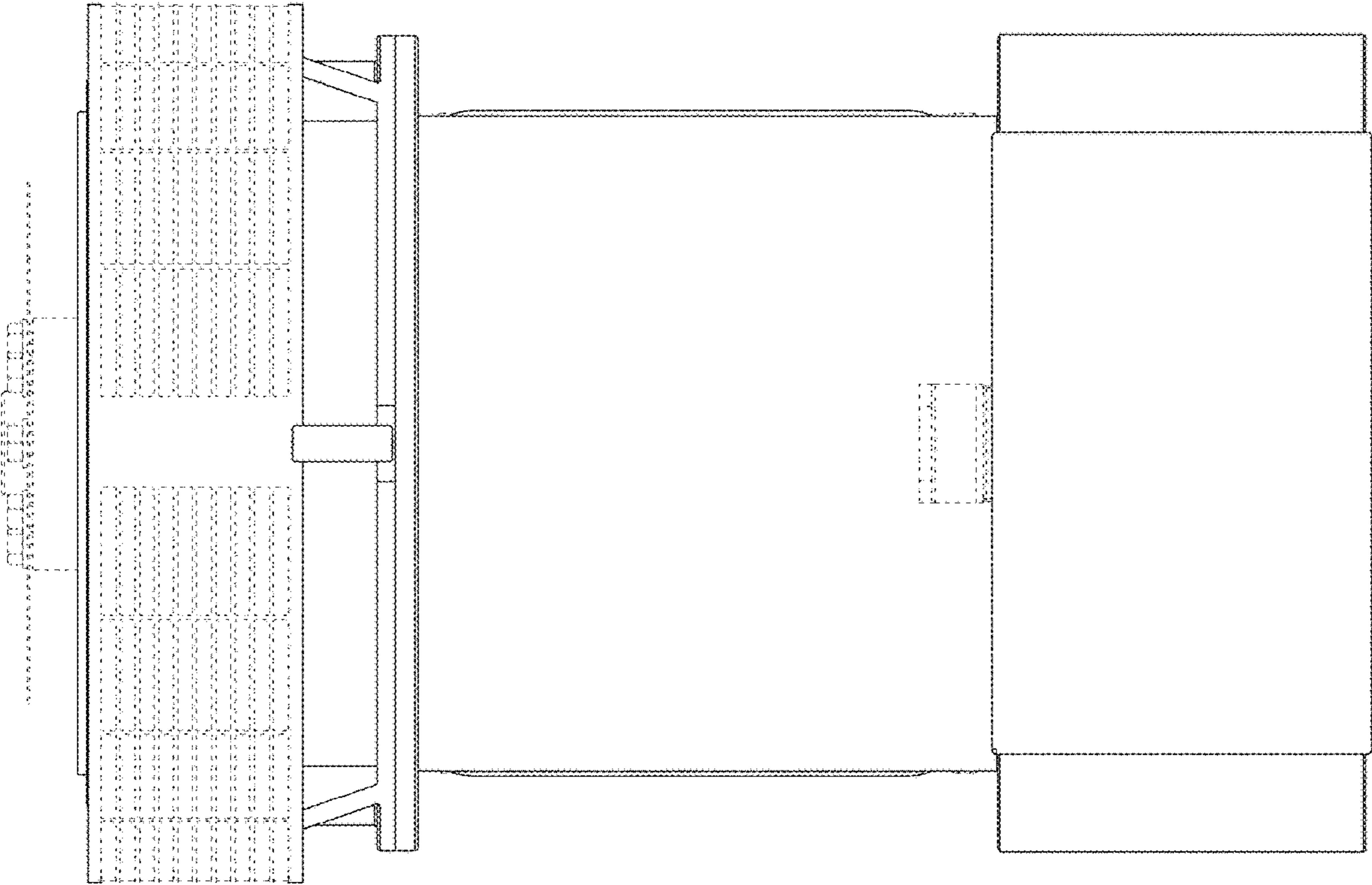


FIG. 20

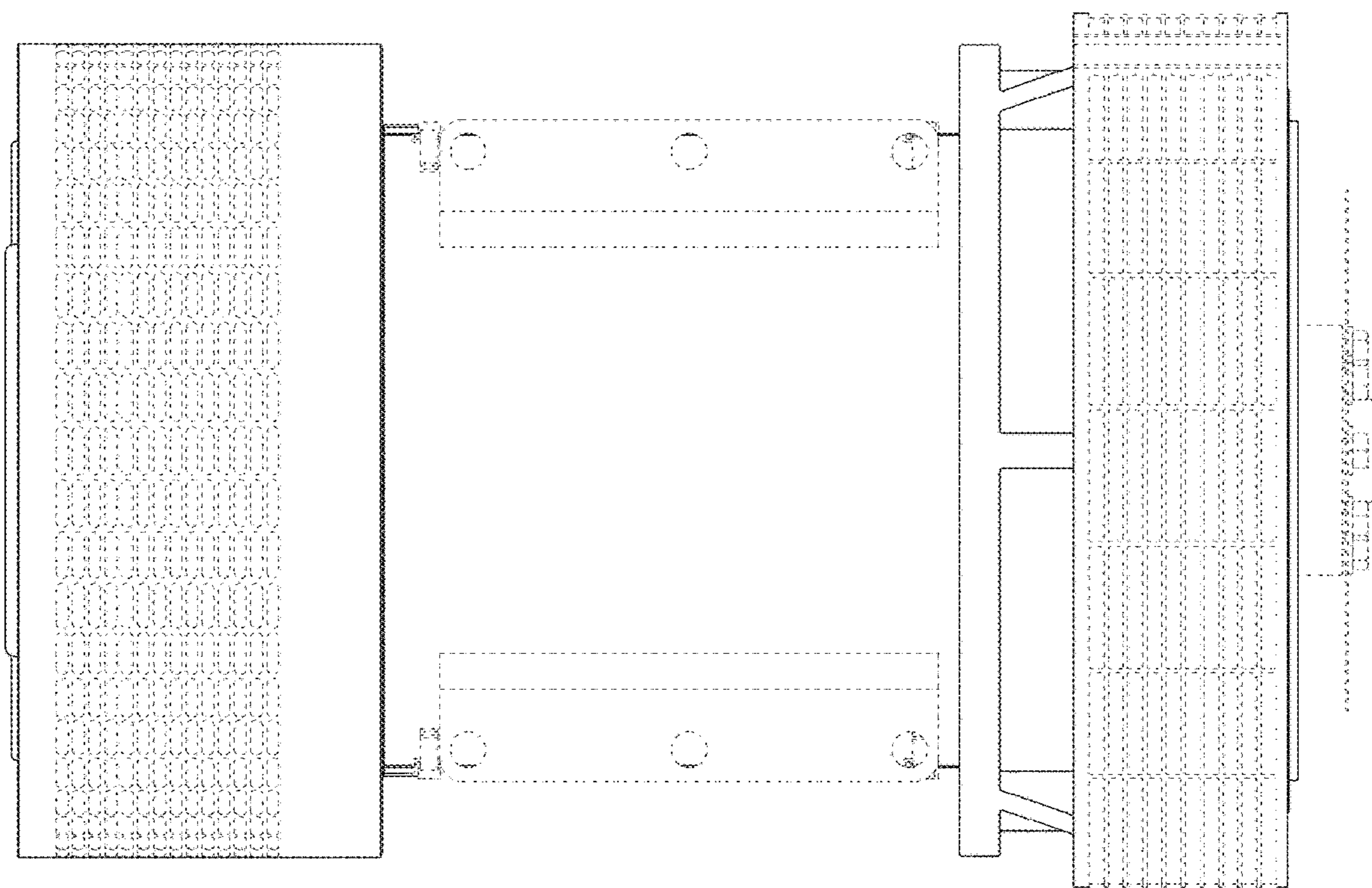


FIG. 21