



US00D958739S

(12) **United States Design Patent**
Matsumoto et al.

(10) **Patent No.:** **US D958,739 S**
(45) **Date of Patent:** **** Jul. 26, 2022**

(54) **CHARGING CLIP**

(71) Applicant: **Amazon Technologies, Inc.**, Seattle, WA (US)
(72) Inventors: **Ipppei Matsumoto**, Daly City, CA (US); **Maya Shirish Sathaye**, Seattle, WA (US); **Manish Avinash Mantrawadi**, Redmond, WA (US)

(73) Assignee: **Amazon Technologies, Inc.**, Seattle, WA (US)

(**) Term: **15 Years**

(21) Appl. No.: **29/817,302**

(22) Filed: **Nov. 30, 2021**

Related U.S. Application Data

(63) Continuation of application No. 29/714,637, filed on Nov. 25, 2019, now Pat. No. Des. 937,770.

(51) **LOC (13) Cl.** **13-02**

(52) **U.S. Cl.**
USPC **D13/108**

(58) **Field of Classification Search**
USPC D13/103, 104, 107, 108, 110, 118, 119, D13/120, 137.1, 137.2
CPC H01R 24/76; H02J 15/00; H02J 50/05
See application file for complete search history.

(56) **References Cited**

U.S. PATENT DOCUMENTS

5,454,739 A *	10/1995	Strand	A61B 5/274	600/372
D445,760 S	7/2001	Minagawa et al.			
6,357,089 B1 *	3/2002	Koguchi	H01R 4/64	24/330
D525,582 S	7/2006	Chan			
D639,707 S *	6/2011	Caskey	D11/201	
D651,208 S *	12/2011	Pacyga	D14/240	
D670,388 S *	11/2012	Jin	D24/165	

D724,525 S	3/2015	Lee et al.			
D742,827 S *	11/2015	Lee	D13/118	
D744,418 S	12/2015	Ogihara et al.			
D791,075 S	7/2017	Kim et al.			
D799,821 S *	10/2017	Hahn	D3/249	
D807,819 S *	1/2018	Park	D13/107	
D808,335 S	1/2018	Corander			
D811,409 S	2/2018	Zhong			
9,895,265 B1	2/2018	DaRosa			

(Continued)

OTHER PUBLICATIONS

“Charging Clip”. Found online Feb. 23, 2022 at amazon.com. Reference dated Nov. 16, 2016. Retrieved from https://www.amazon.com/ECSEM-Replacement-Charging-Forerunner-235/dp/B01N0DZI4H/ref=pd_lpo_2?pd_rd_i=B01N0DZI4H&psc=1. (Year: 2016).*

(Continued)

Primary Examiner — Kendra Leslie Hamilton

Assistant Examiner — Amanda Christensen

(74) *Attorney, Agent, or Firm* — Lee & Hayes, P.C.

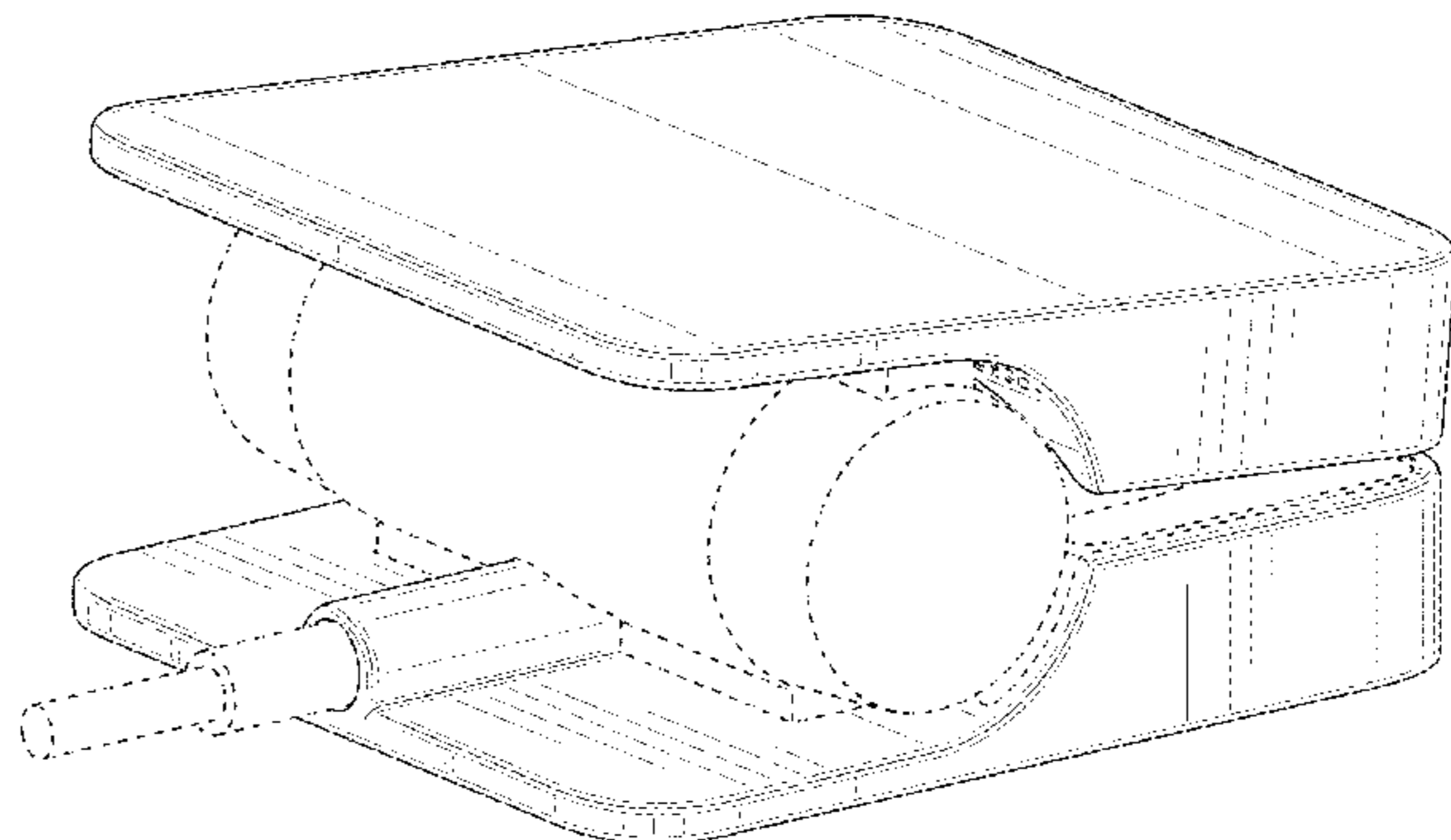
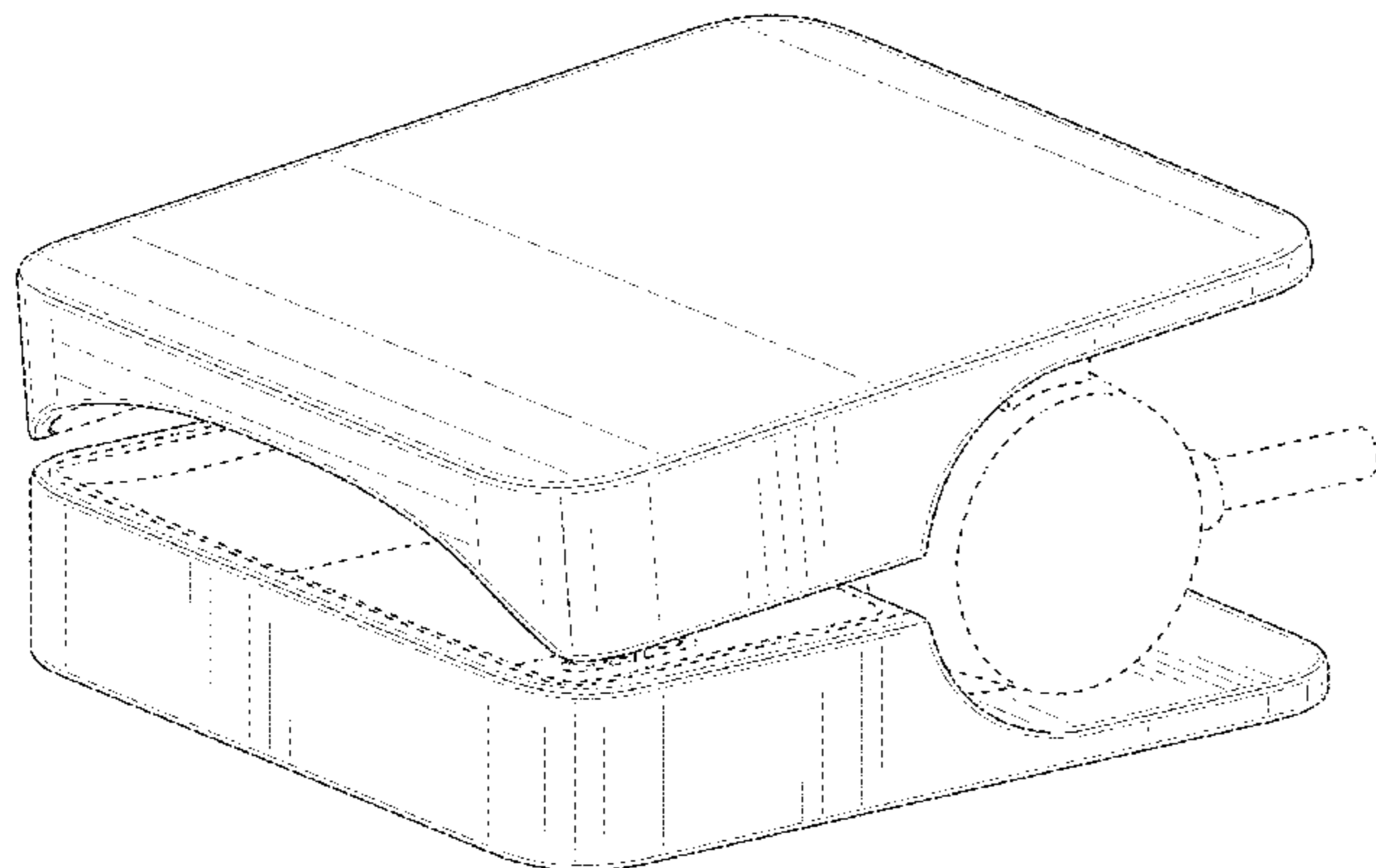
(57) **CLAIM**

The ornamental design for a charging clip, as shown and described.

DESCRIPTION

FIG. 1 is a top, front, right-side perspective view of a charging clip, showing our new design; FIG. 2 is a top, back, left-side perspective view thereof; FIG. 3 is a front elevation view thereof; FIG. 4 is a back elevation view thereof; FIG. 5 is a left-side elevation view thereof; FIG. 6 is a right-side elevation view thereof; FIG. 7 is a top plan view thereof; and, FIG. 8 is a bottom plan view thereof. The dashed broken lines depict portions of the charging clip that form no part of the claimed design.

1 Claim, 8 Drawing Sheets



(56)

References Cited

U.S. PATENT DOCUMENTS

D876,629 S 2/2020 Way et al.
 D877,069 S 3/2020 Kem et al.
 D891,366 S * 7/2020 Xie D13/108
 D904,410 S 12/2020 Xu
 10,903,612 B1 * 1/2021 Sathaye H05K 5/0086
 D911,942 S * 3/2021 Park D13/108
 D937,770 S * 12/2021 Matsumoto D13/108
 2010/0221961 A1 9/2010 Jensen et al.
 2011/0227535 A1 9/2011 Caskey et al.
 2019/0319476 A1 * 10/2019 Hou H02J 7/025

OTHER PUBLICATIONS

“Awinner Charging Clip”. Found online Feb. 23, 2022 at amazon.com. Reference dated Apr. 16, 2017. Retrieved from <https://www.amazon.com/Awinner-Charging-Replacement-Charger-Adapter/dp/B06ZZBYL8V>. (Year: 2017).*

“Seeme Charging Clip”. Found online Feb. 23, 2022 at amazon.co.uk. Reference dated Apr. 26, 2016. Retrieved from <https://www.amazon.co.uk/Awinner-Charging-Forerunner-Replacement-Approach/dp/B01EVPZLOE>. (Year: 2016).*

“Amazon Halo Charger”, retrieved on Jan. 15, 2021 at «<https://msweetwood.com/2020/11/28/amazon-halo-fitness-band-review/>», Nov. 2020, 2 pgs.

“Epson ProSense Charging Clip”, retrieved on Jan. 15, 2021 at «<https://tineye.com/search/5faf25807686a701eae1722e16b40c7466765c72?sort=score&order=desc&page=1>», Jan. 2018, 2 pgs.

“Garmin Charging Clip”, retrieved on Jan. 15, 2021, at «<https://www.amazon.com/Garmin-Charging-Multiple-Devices-010-11029-19/dp/B07BHKBVNX>», Jun. 2018, 2 pgs.

* cited by examiner

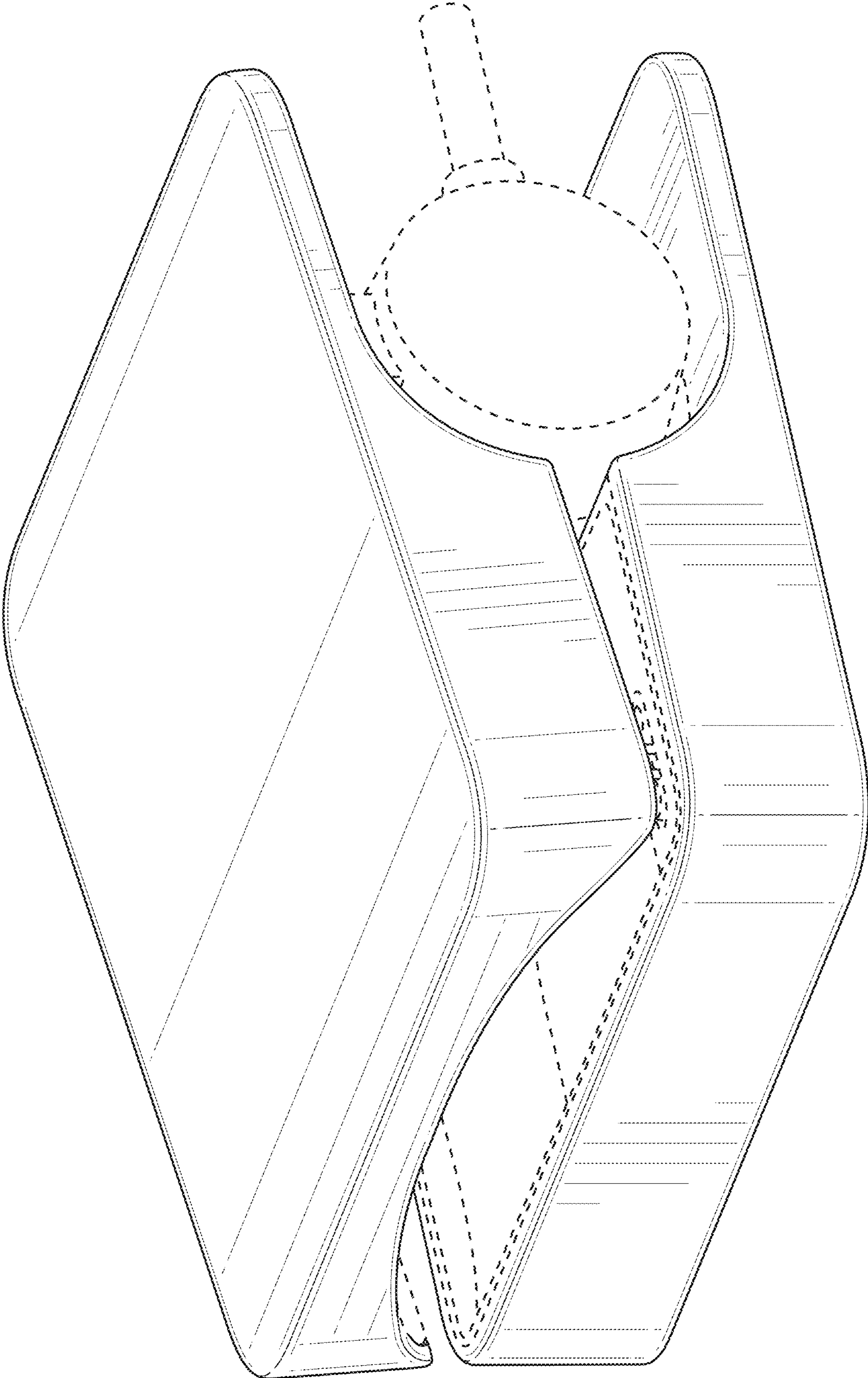


FIG. 1

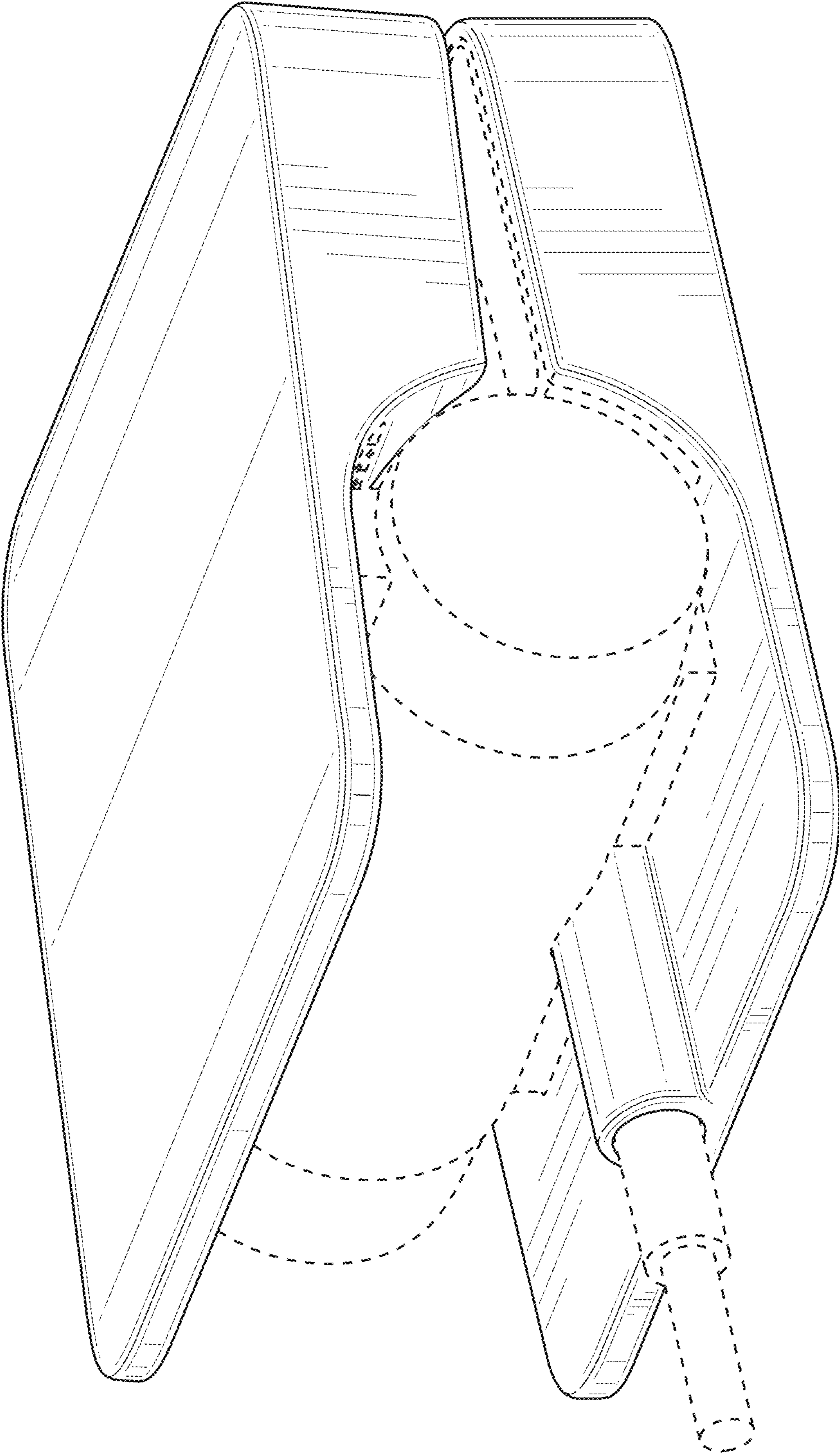


FIG. 2

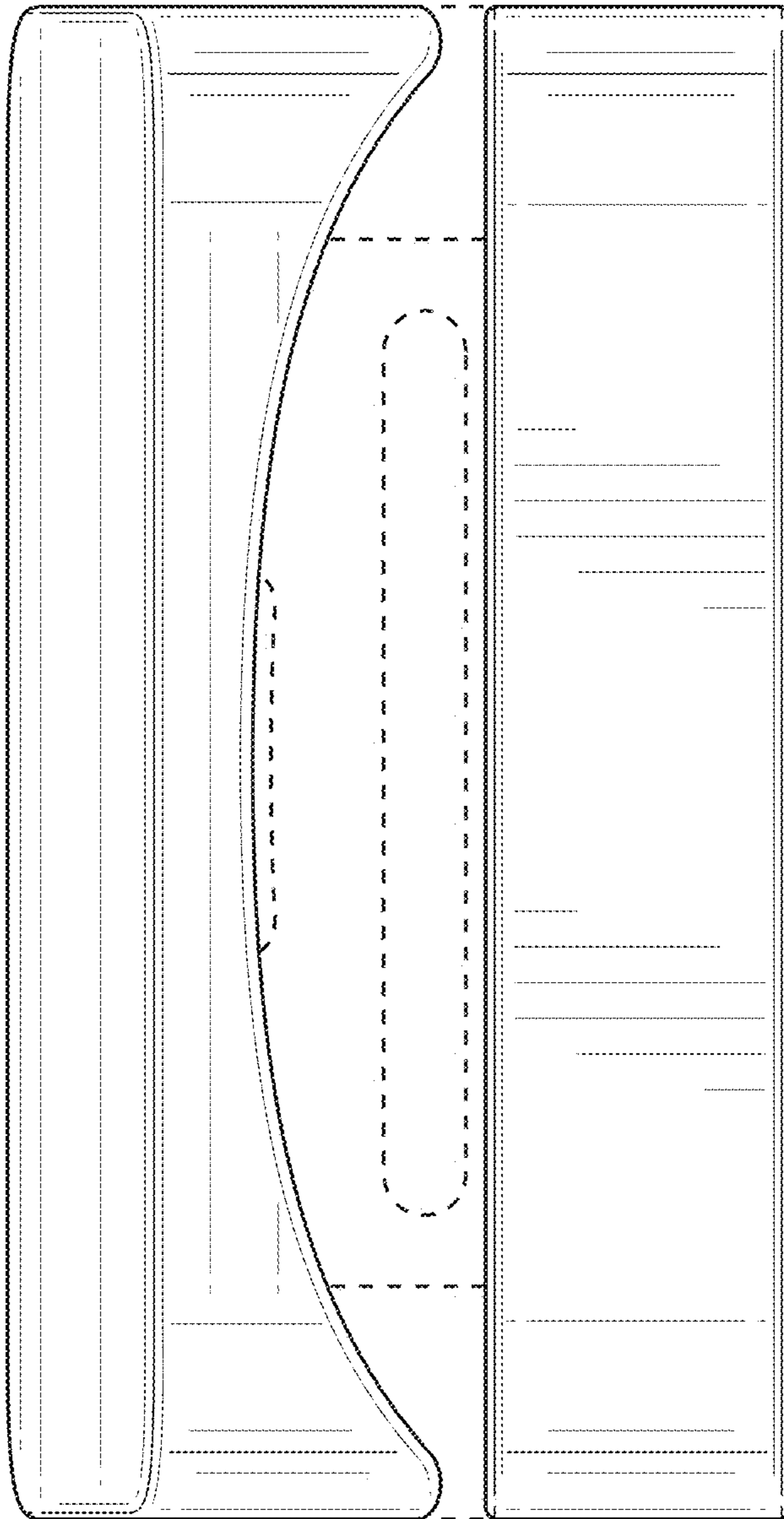


FIG. 3

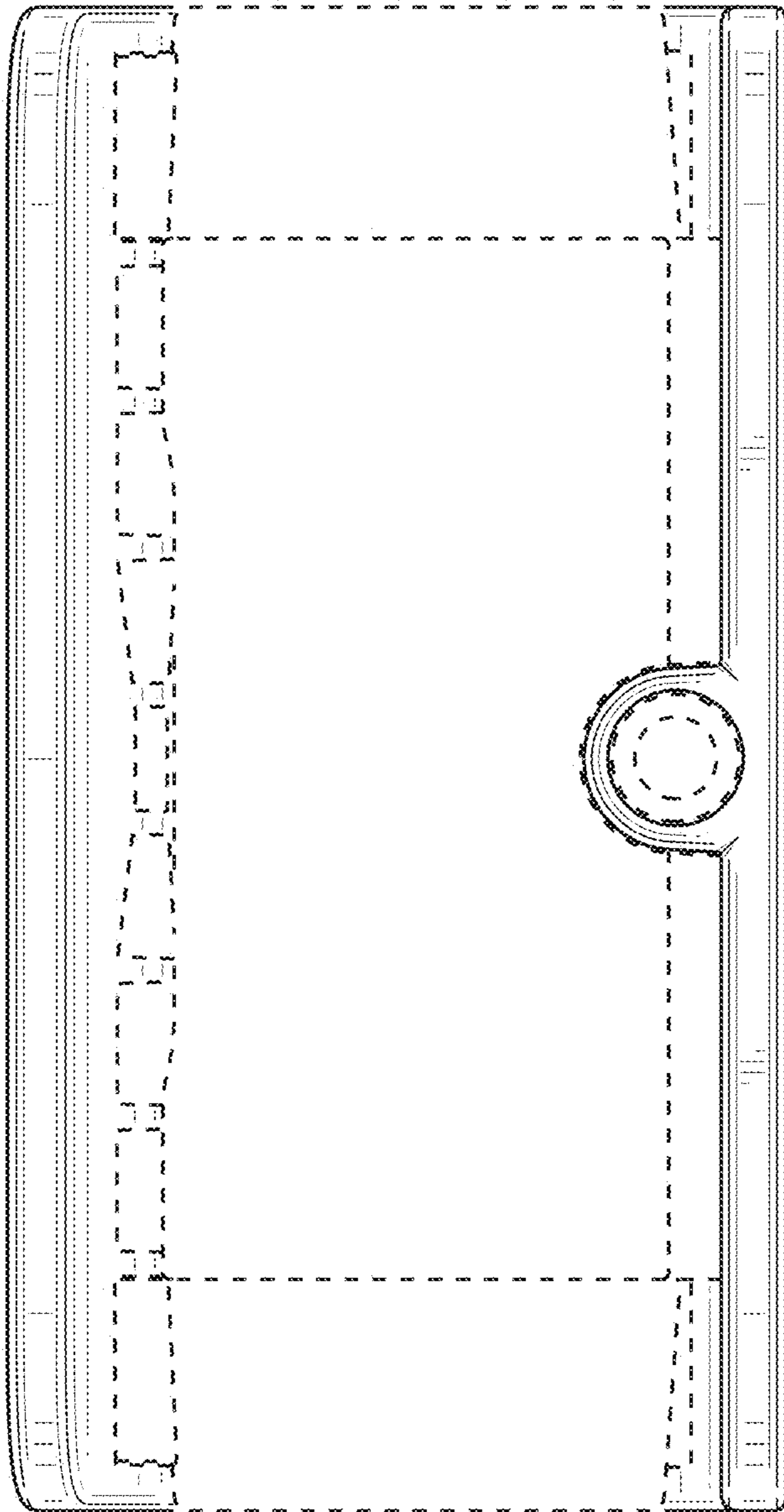


FIG. 4

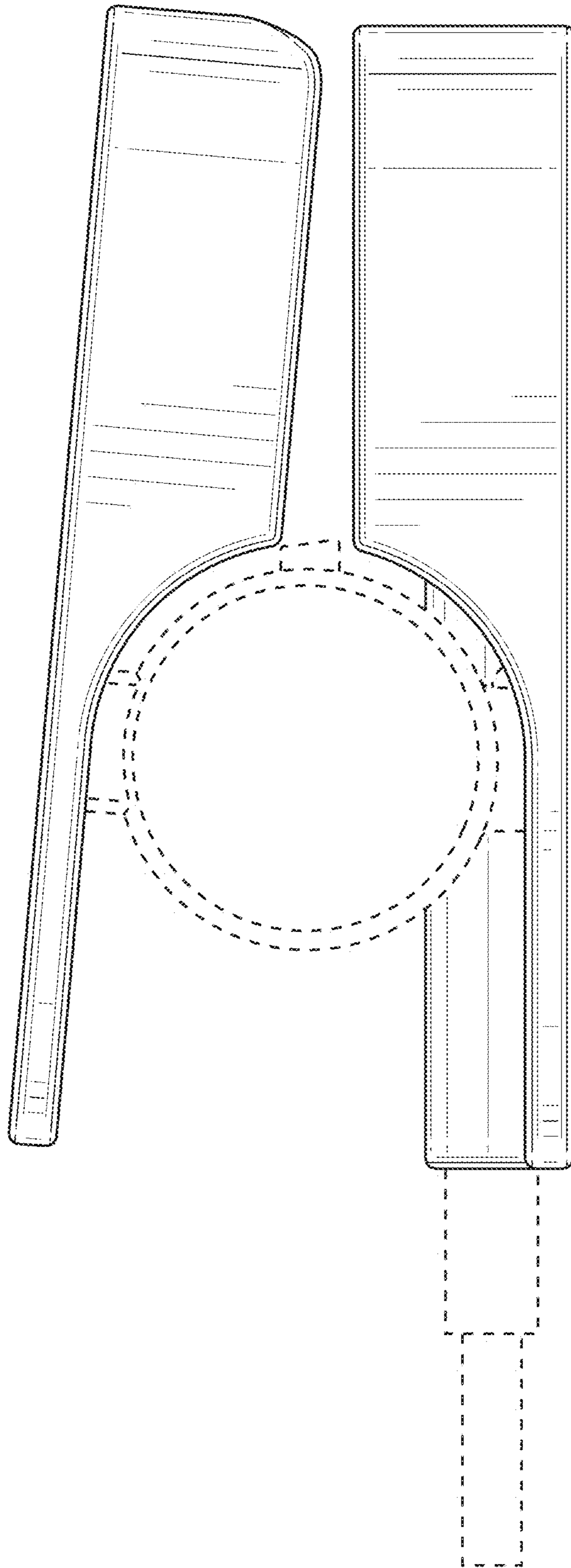


FIG. 5

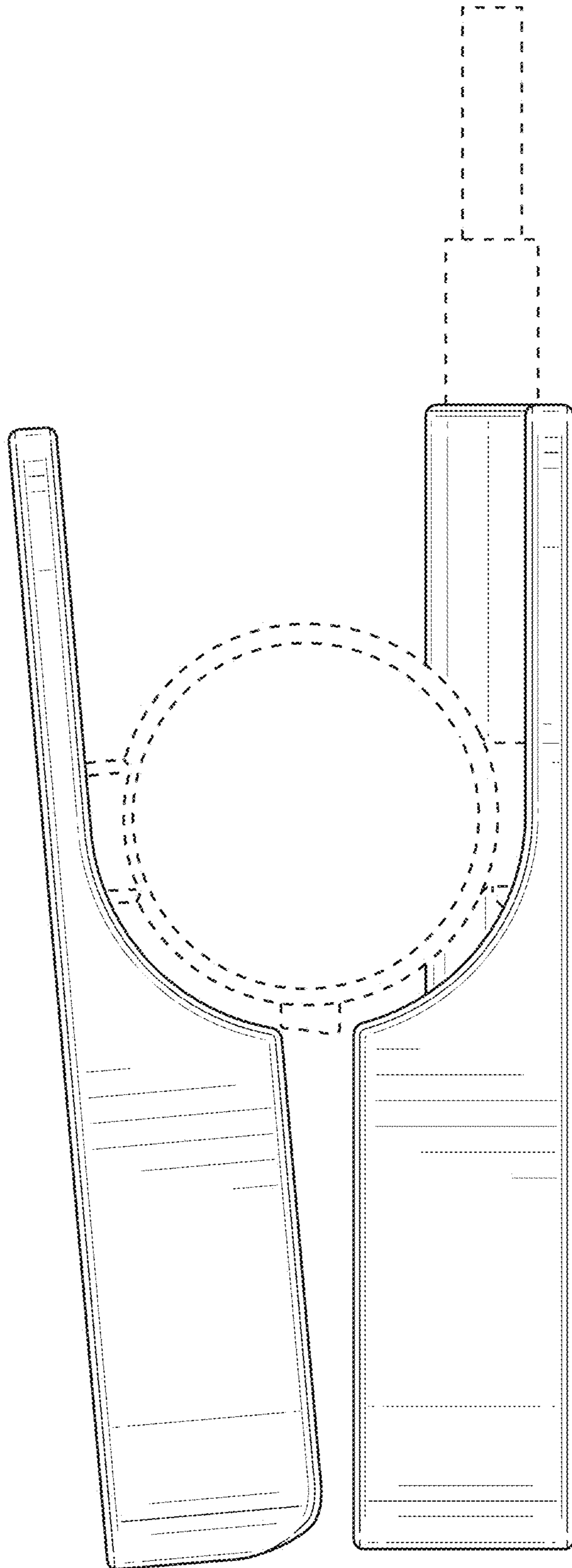


FIG. 6

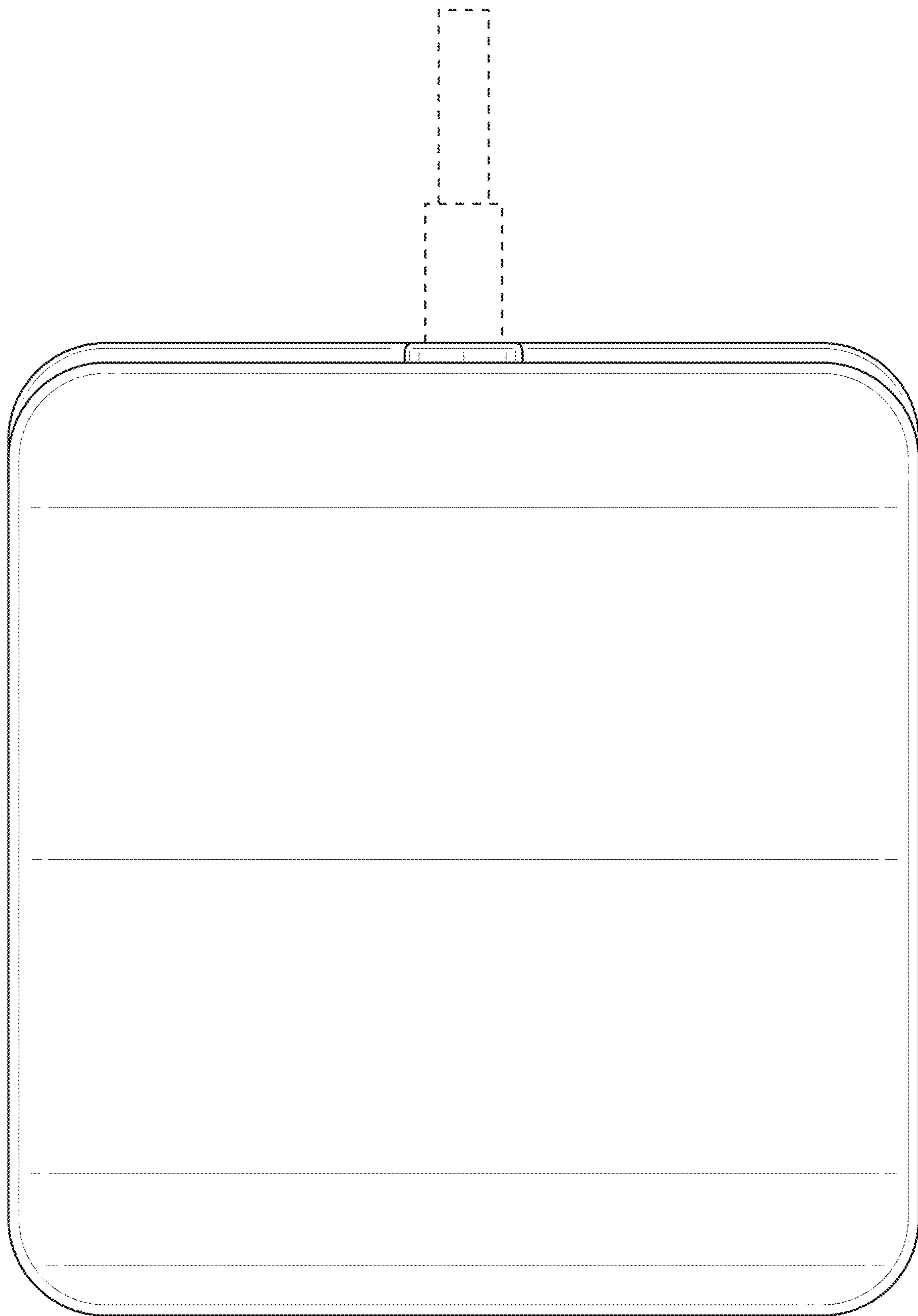


FIG. 7

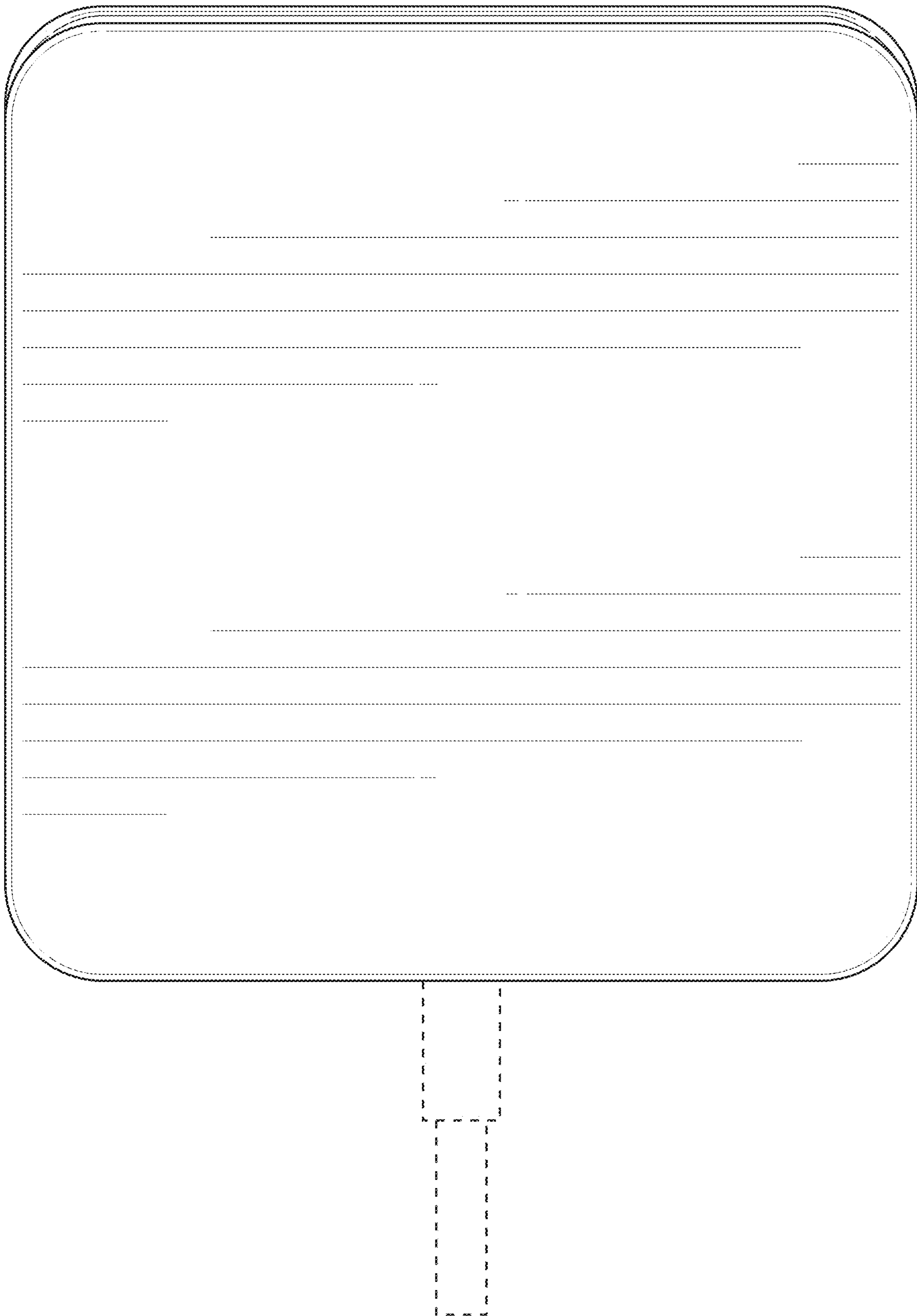


FIG. 8