



US00D958736S

(12) **United States Design Patent** (10) **Patent No.:** **US D958,736 S**
Van Roosmalen et al. (45) **Date of Patent:** **** Jul. 26, 2022**

(54) **CHARGING STAND FOR SHAVER**

(56) **References Cited**

(71) Applicant: **KONINKLIJKE PHILIPS N.V.**,
Eindhoven (NL)

(72) Inventors: **Jos Van Roosmalen**, Amsterdam (NL);
Frank Verbrugge, Rosmalen (NL);
Jens Andersson, Amsterdam (NL);
Roel Krooshof, Bilthoven (NL); **Simon Van Anken**, Amsterdam (NL); **Peter Gal**, Amsterdam (NL); **Lieven Adriaenssen**, Vilvoorde (BE); **Roshan Hakkim**, Amsterdam (NL); **Mingshuo Zhang**, Amstelveen (NL)

U.S. PATENT DOCUMENTS

D289,996 S *	5/1987	Oord	D13/108
D471,578 S *	3/2003	Okuley	D16/242
D516,022 S *	2/2006	Winkler	D13/108
D521,927 S *	5/2006	Franck	D13/108
D525,583 S *	7/2006	Vu	D13/108
D562,762 S *	2/2008	Saddlemire	D13/108
D563,314 S *	3/2008	Kingston	D13/108
D576,547 S *	9/2008	Kling	D13/108
D585,369 S *	1/2009	Castellucci	D13/108
D602,858 S *	10/2009	Ellis	D13/108
D621,347 S *	8/2010	Aulwes	D28/73
D623,322 S *	9/2010	Wallach	D26/38

(Continued)

Primary Examiner — Christy Nemeth

(73) Assignee: **KONINKLIJKE PHILIPS N.V.**,
Eindhoven (NL)

(57) **CLAIM**

The ornamental design for a charging stand for shaver, as shown.

(**) Term: **15 Years**

DESCRIPTION

(21) Appl. No.: **29/723,177**

FIG. 1 is a perspective view of a charging stand for shaver, according to a first embodiment;
 FIG. 2 is a front elevational view thereof;
 FIG. 3 is a rear elevational view thereof;
 FIG. 4 is a right side elevational view thereof;
 FIG. 5 is a left side elevational view thereof;
 FIG. 6 is a top plan view thereof;
 FIG. 7 is a bottom plan view thereof;
 FIG. 8 is a perspective view of a charging stand for shaver, according to a second embodiment;
 FIG. 9 is a front elevational view thereof;
 FIG. 10 is a rear elevational view thereof;
 FIG. 11 is a right side elevational view thereof;
 FIG. 12 is a left side elevational view thereof;
 FIG. 13 is a top plan view thereof; and,
 FIG. 14 is a bottom plan view thereof.
 The broken lines in the drawings illustrate portions of the charging stand for shaver that form no part of the claimed design.

(22) Filed: **Feb. 5, 2020**

(30) **Foreign Application Priority Data**

Sep. 3, 2019 (EM) 006809323

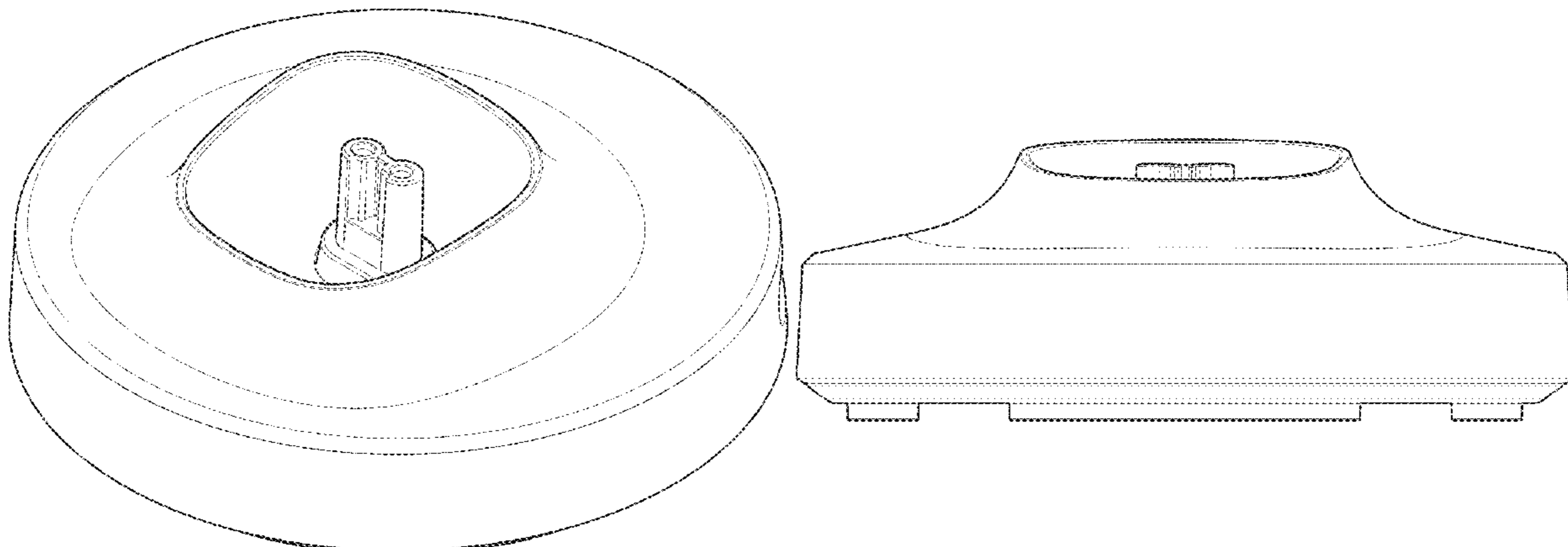
(51) **LOC (13) Cl.** **13-02**

(52) **U.S. Cl.**
USPC **D13/108**

(58) **Field of Classification Search**
 USPC D13/107-110, 118, 119, 184, 199
 CPC .. Y02E 60/12; H01R 13/6675; H01M 2/1022;
 H01M 2/1055; H01M 10/44; H01M
 10/46; H01M 10/425; H02J 2001/008;
 H02J 3/32; H02J 3/008; H02J 7/0027;
 H02J 7/0013; H02J 7/0054; H02J 7/00;
 B60R 16/03

See application file for complete search history.

1 Claim, 10 Drawing Sheets



(56)

References Cited

U.S. PATENT DOCUMENTS

D627,718	S	*	11/2010	Houghton	D32/31
D658,580	S	*	5/2012	Gebski	D13/108
D759,588	S	*	6/2016	De Klein	D13/108
D768,570	S	*	10/2016	Shigeno	D13/108
D768,571	S	*	10/2016	Shigeno	D13/108
D798,808	S	*	10/2017	Ptok	D13/108
D806,020	S	*	12/2017	Lu	D13/107
D810,015	S	*	2/2018	Carreon	D13/108
D828,807	S	*	9/2018	Yohai-Giochais	D13/108
D865,664	S	*	11/2019	Liao	D13/108
D870,040	S	*	12/2019	Wu	D13/108
D875,041	S	*	2/2020	Chen	D13/108
D878,291	S	*	3/2020	Pupecki	D13/108
D879,298	S	*	3/2020	Byung	A61B 8/04
						D24/165
D883,200	S	*	5/2020	Wong	D13/108
D891,366	S	*	7/2020	Xie	D13/108
D893,420	S	*	8/2020	Xiao	D13/108
D893,421	S	*	8/2020	Xiao	D13/108
D894,122	S	*	8/2020	Ye	D13/108
D897,282	S	*	9/2020	Ye	D13/107
D908,963	S	*	1/2021	Lambrecht	B26B 21/10
						D28/52
D918,137	S	*	5/2021	Painter	D13/108
D936,577	S	*	11/2021	Huang	D13/108
D936,580	S	*	11/2021	Li	D13/108
D937,204	S	*	11/2021	Okai	D13/108
D937,205	S	*	11/2021	Okai	D13/108
D937,768	S	*	12/2021	Desai	D13/108
D941,759	S	*	1/2022	Yamamoto	D13/108
D944,728	S	*	3/2022	Bajpai	D13/107
2021/0052009	A1	*	2/2021	Slama	H02J 7/0027

* cited by examiner

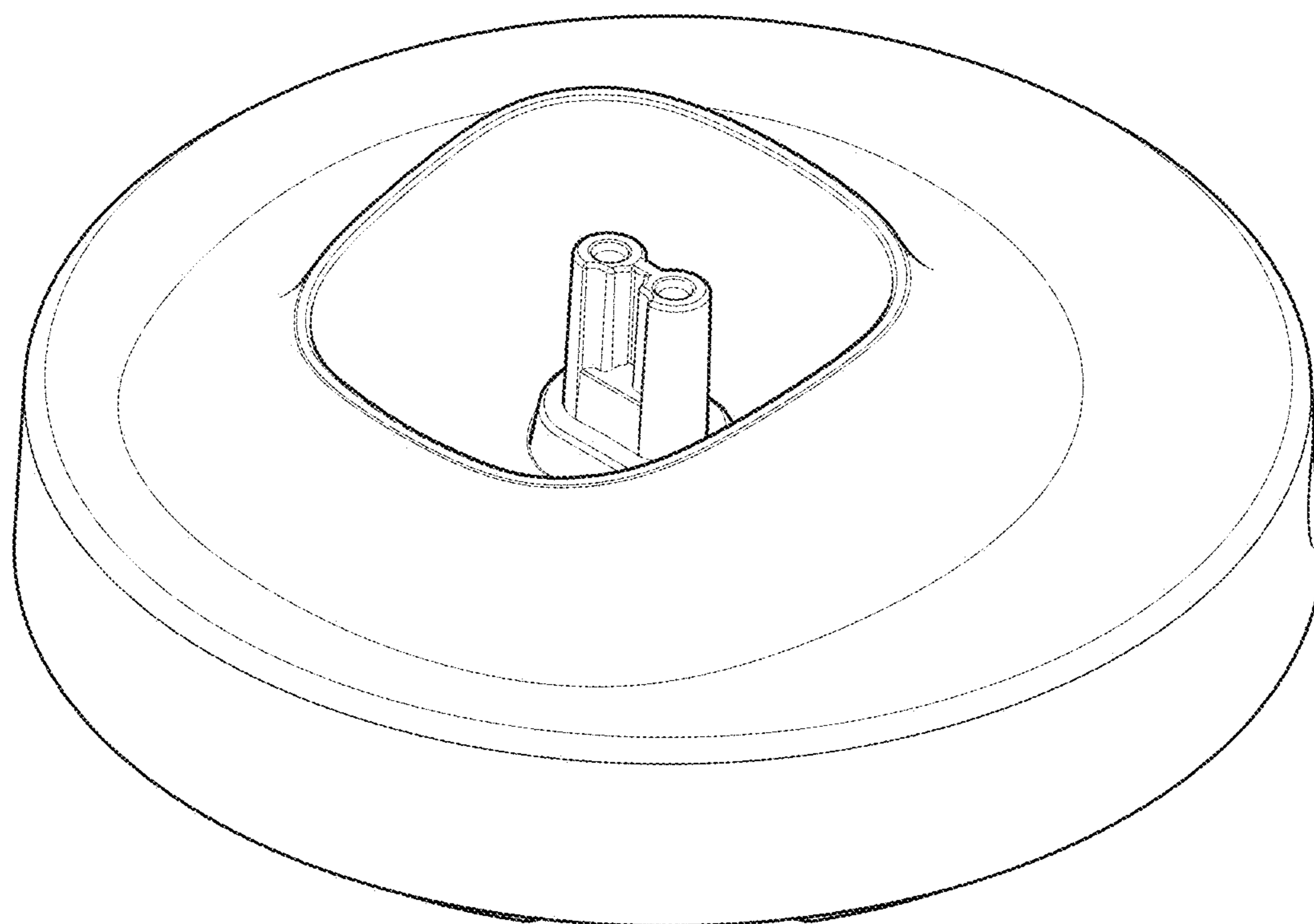


FIG. 1

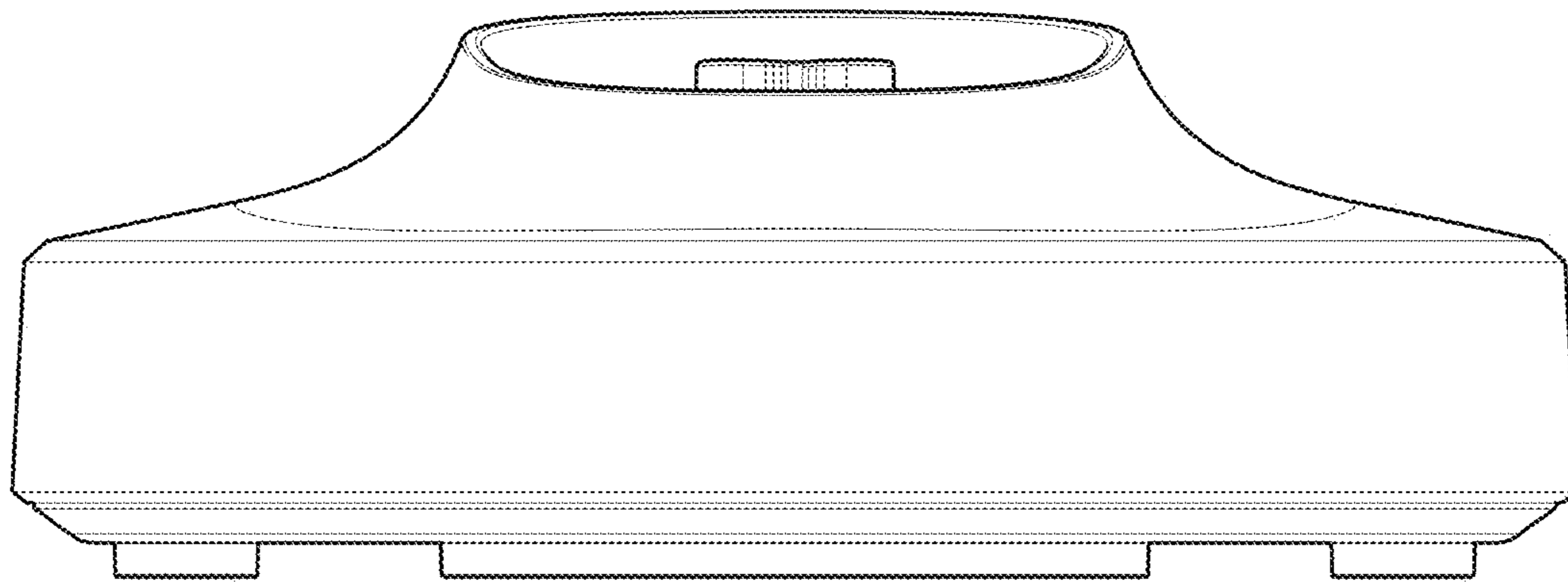


FIG. 2

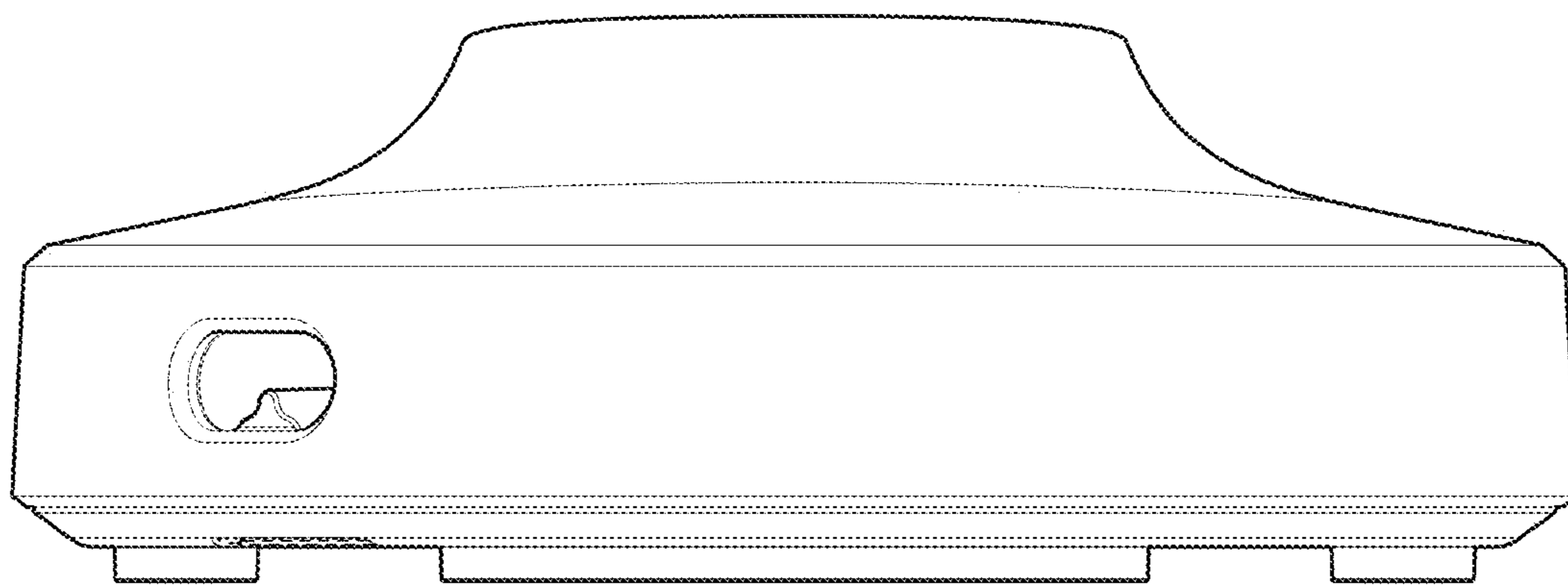


FIG. 3

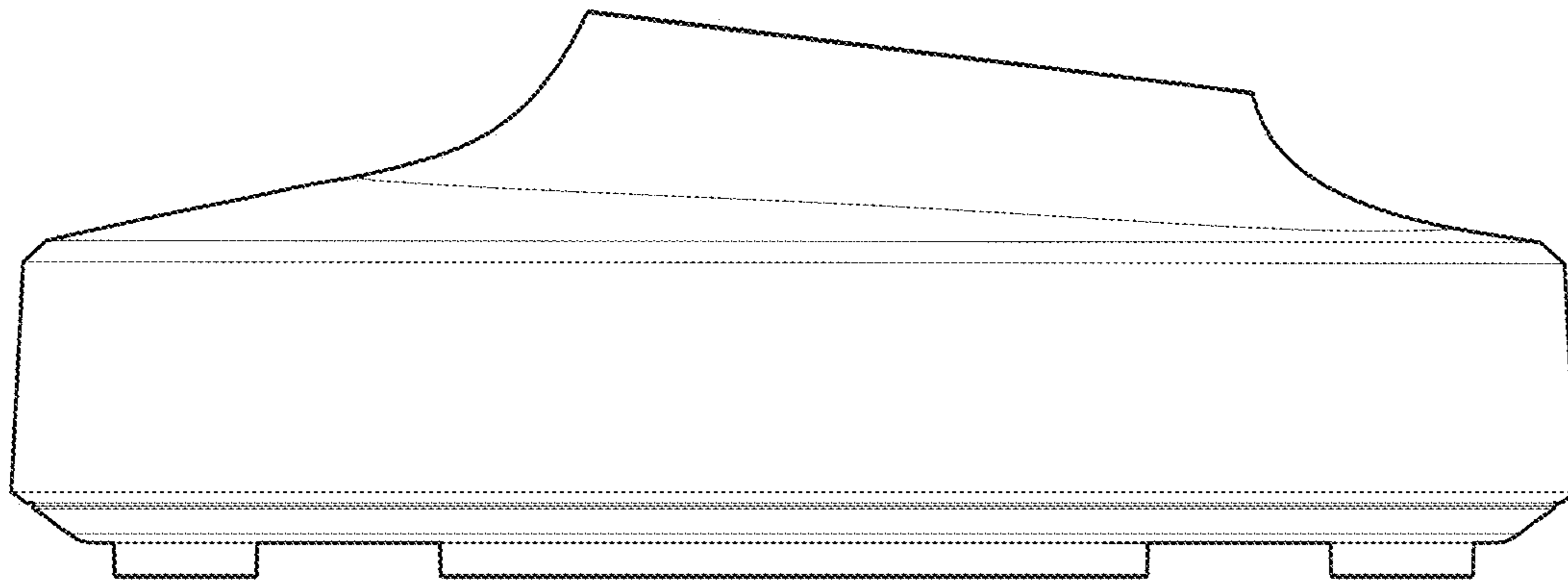


FIG. 4

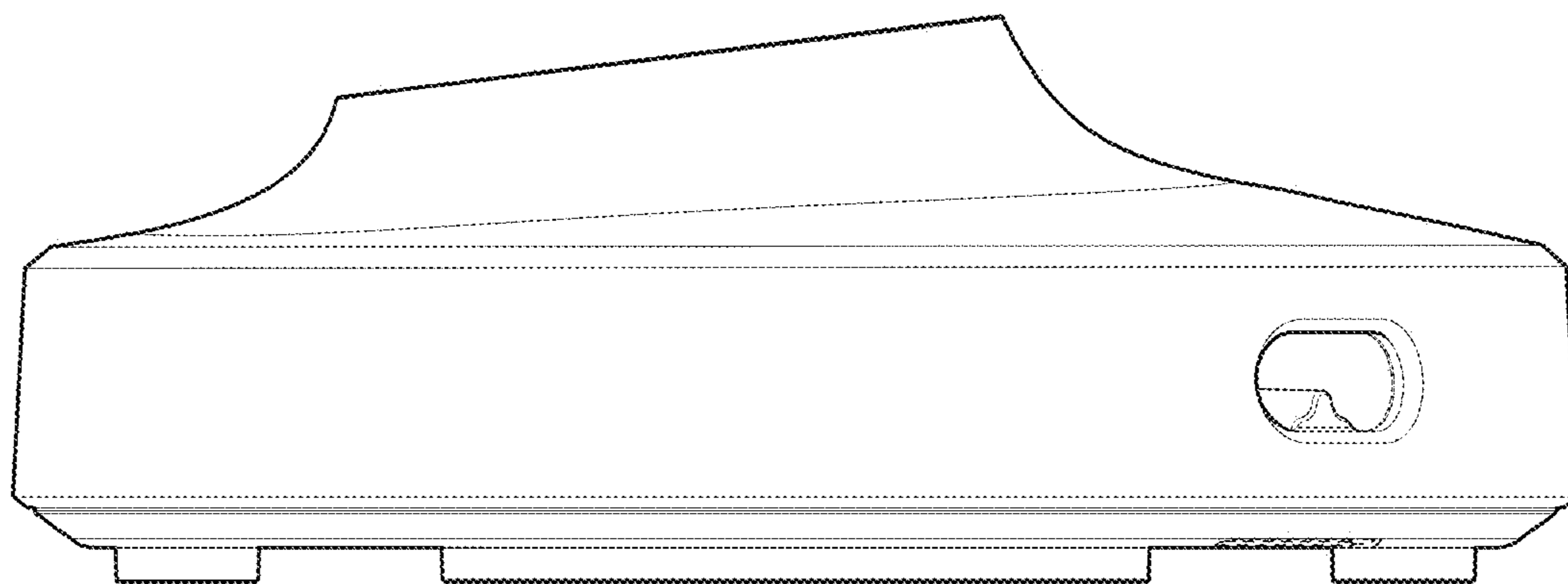


FIG. 5

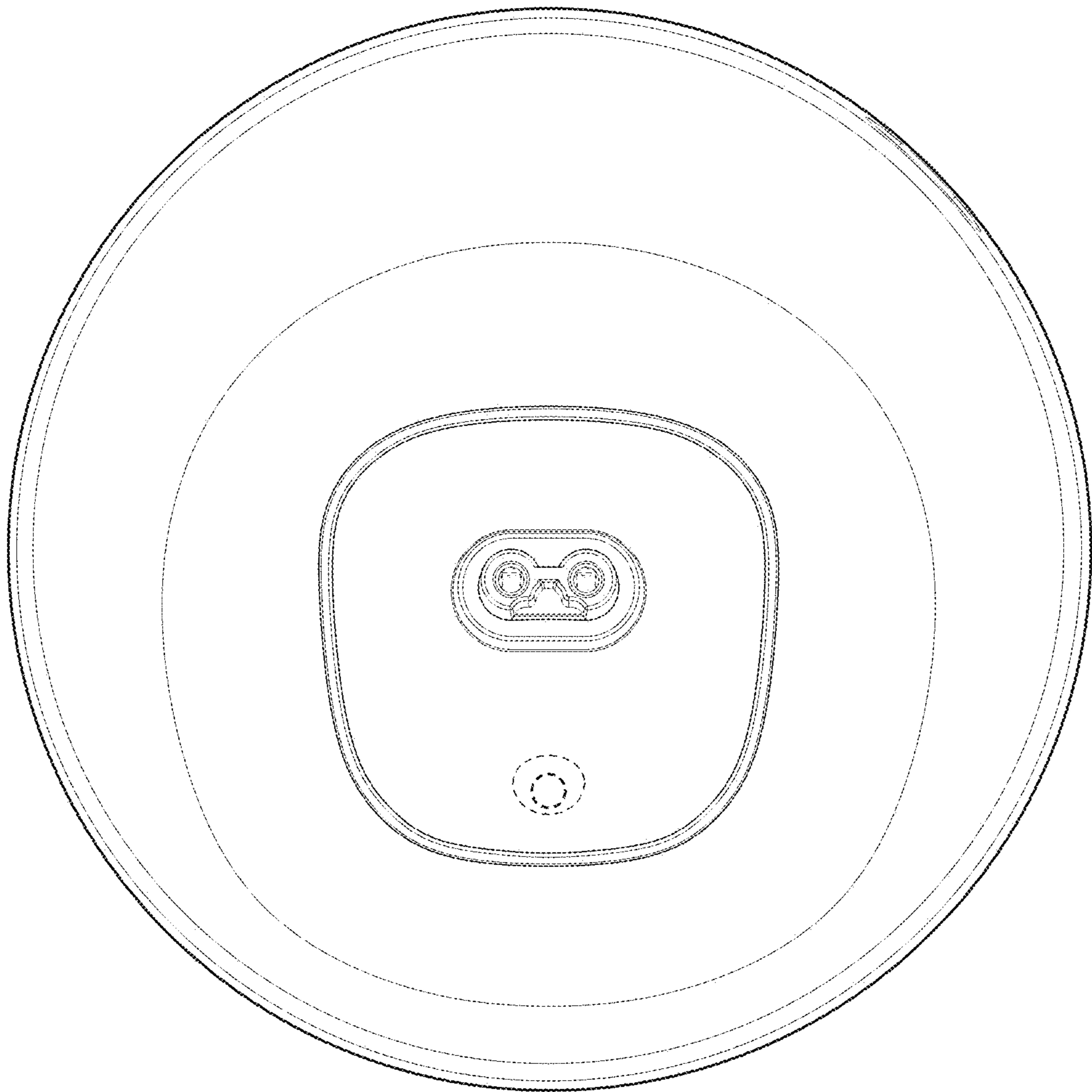


FIG. 6

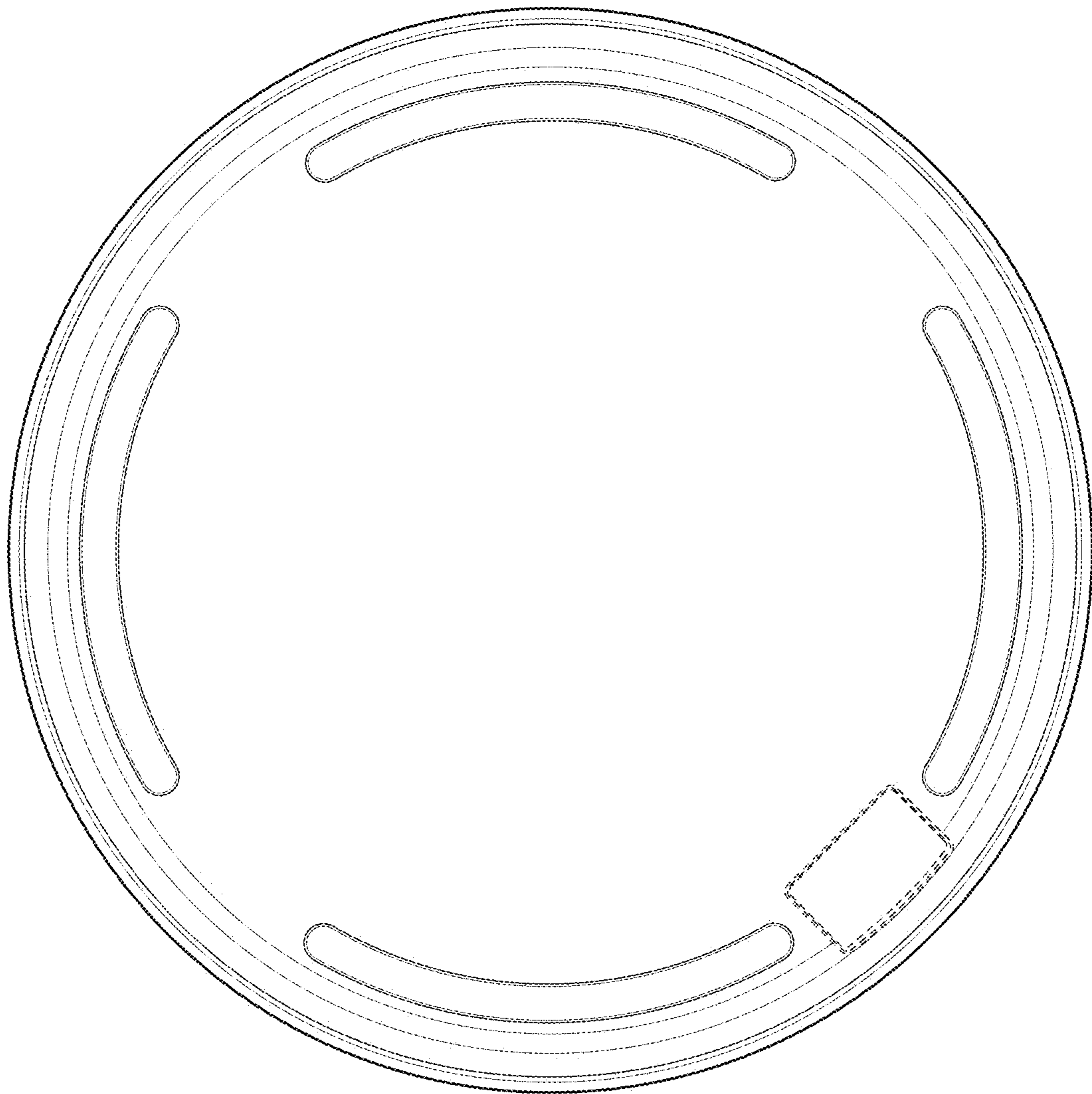


FIG. 7

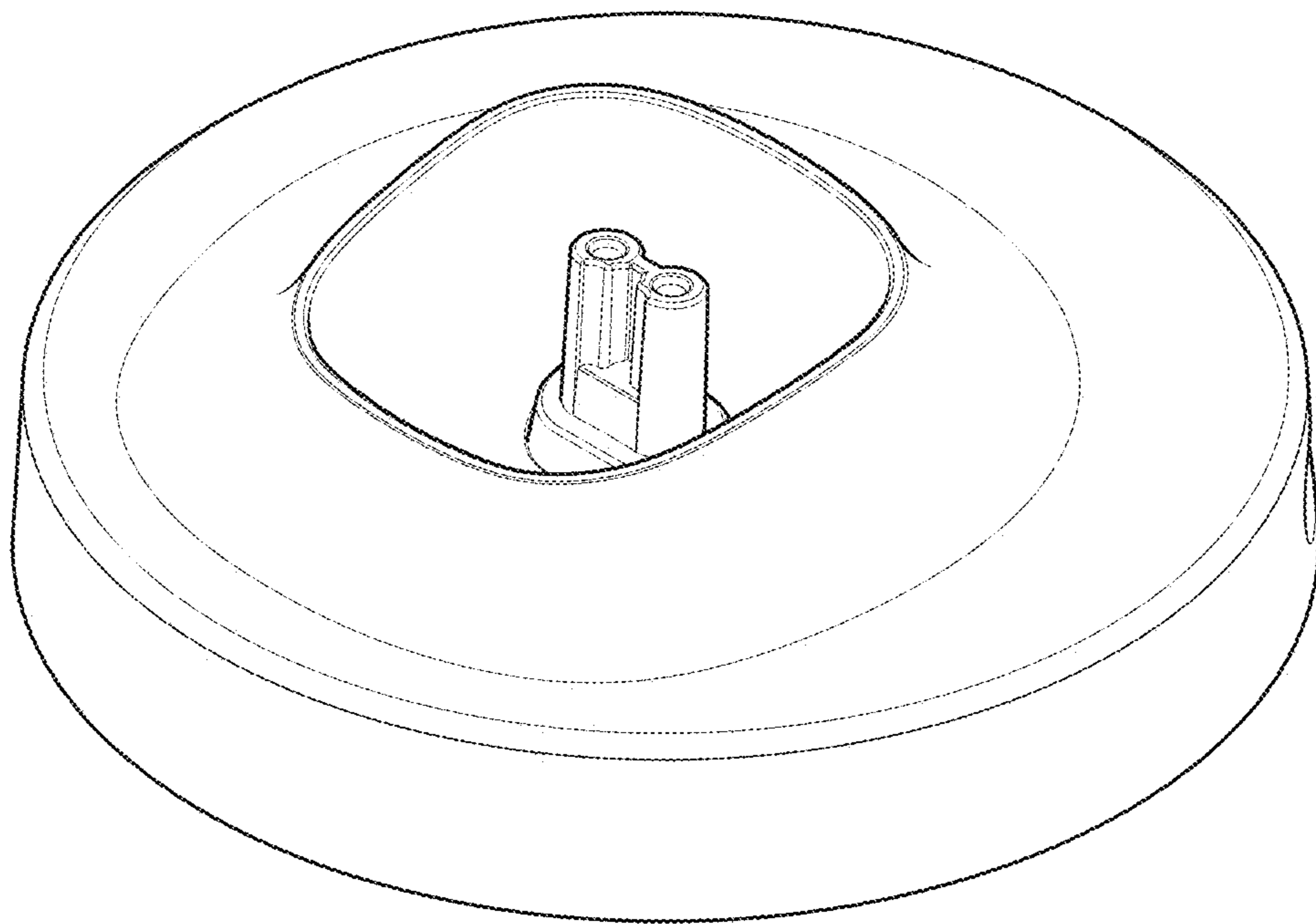


FIG. 8

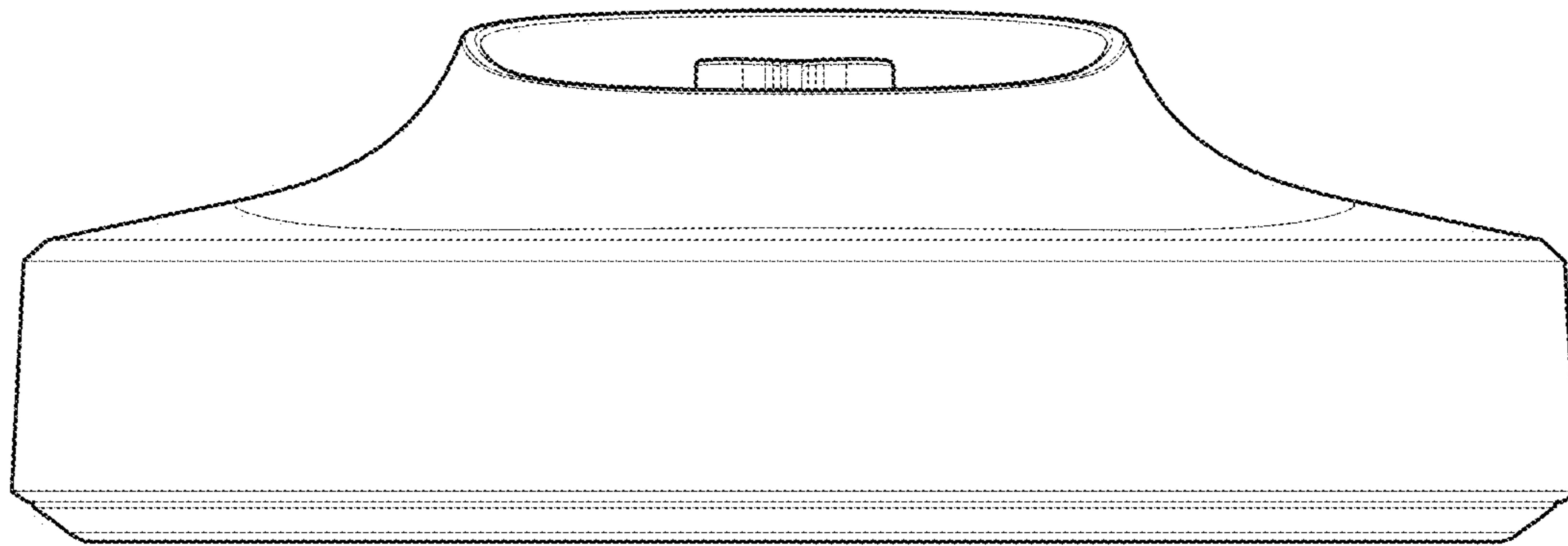


FIG. 9

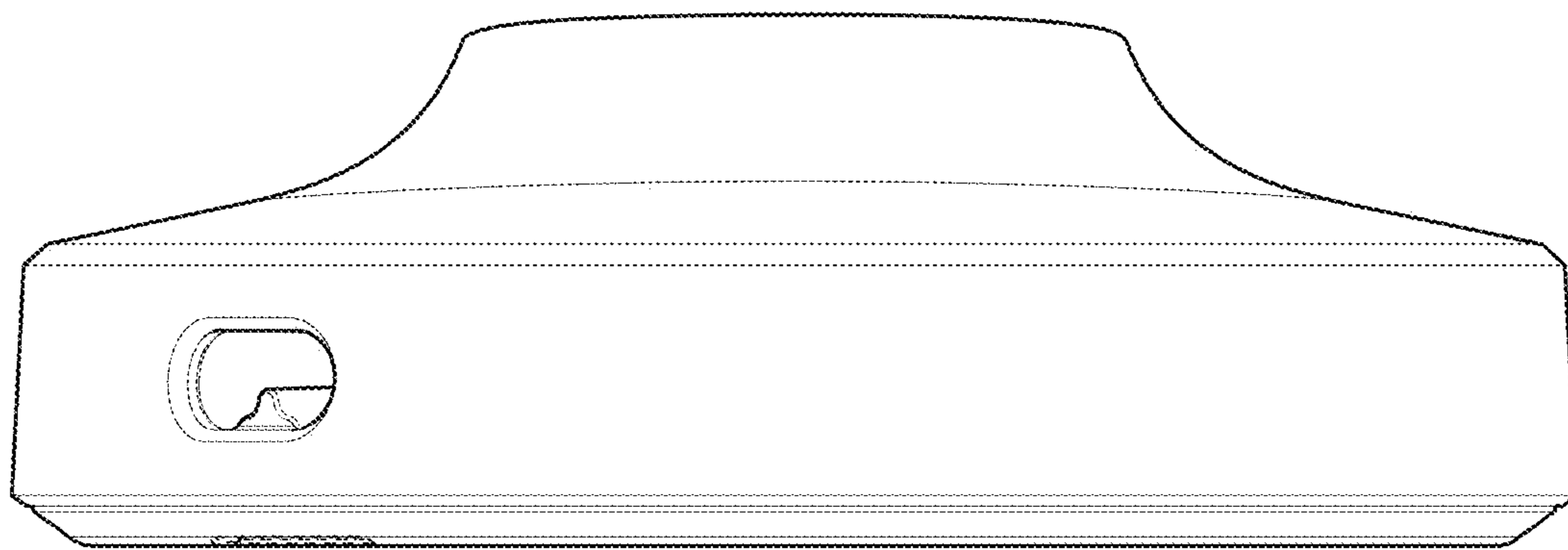


FIG. 10

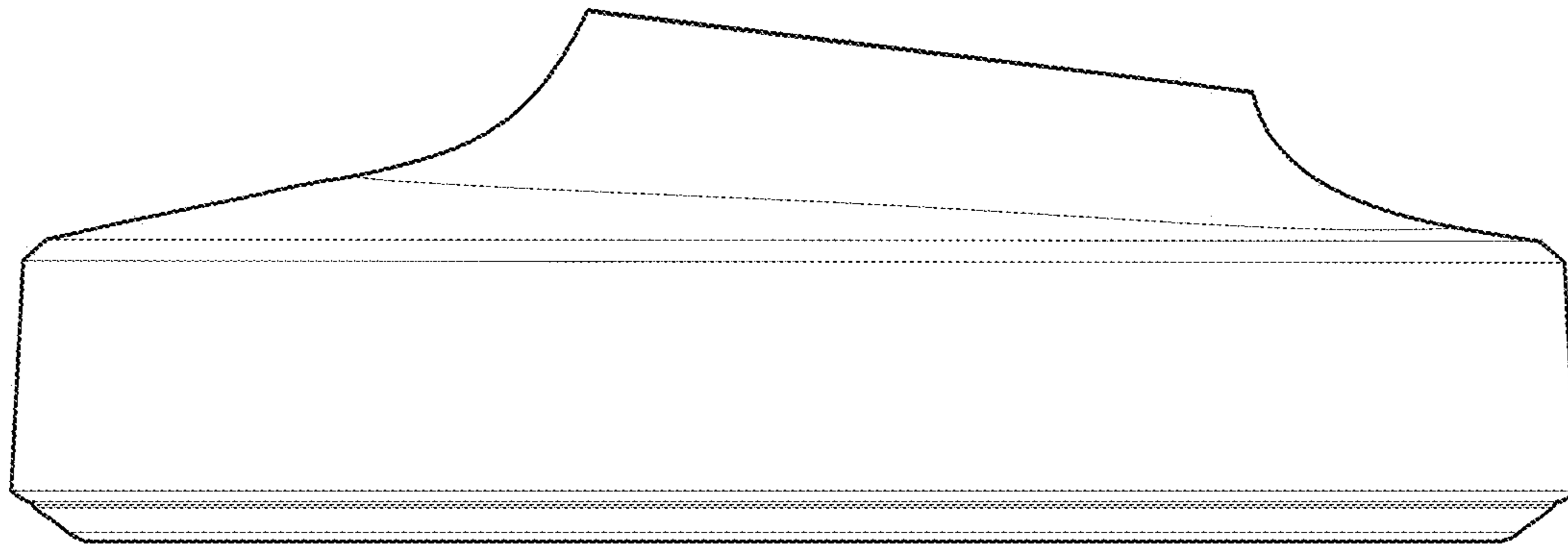


FIG. 11

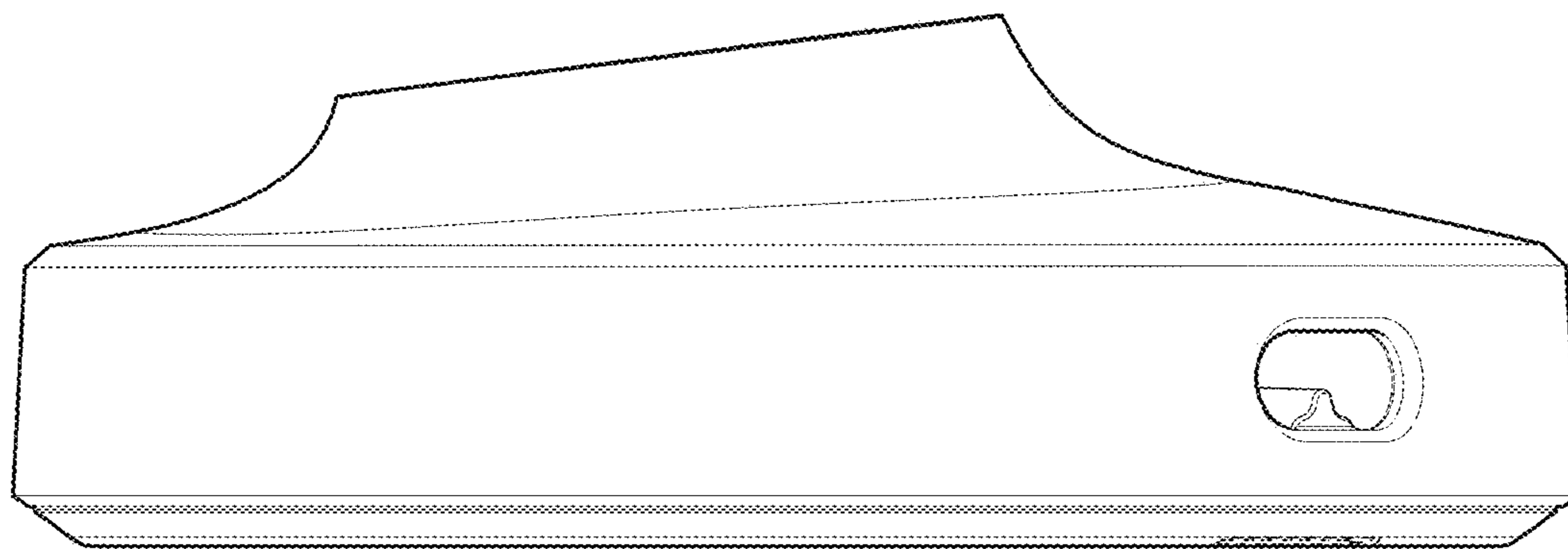


FIG. 12

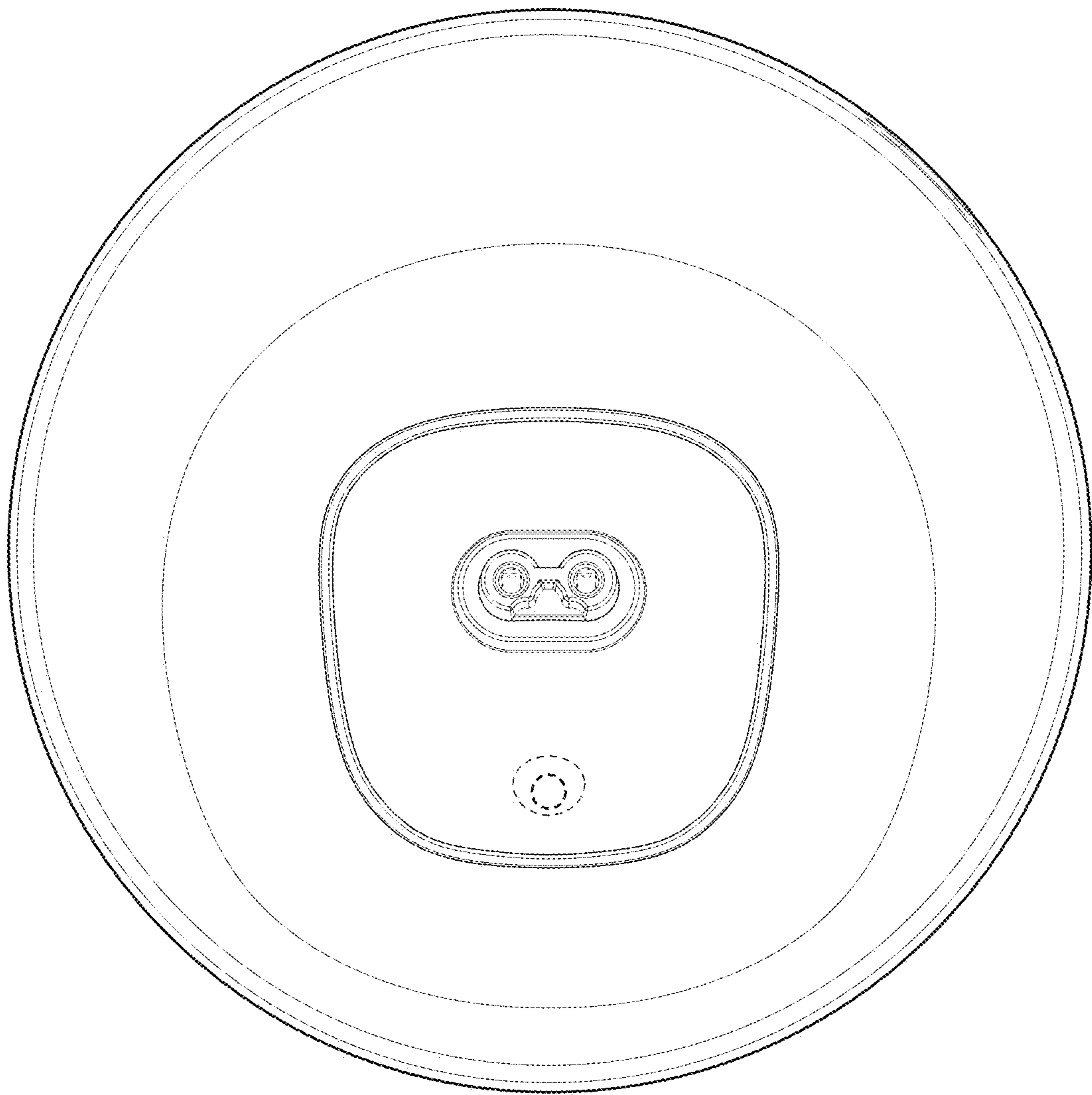


FIG. 13

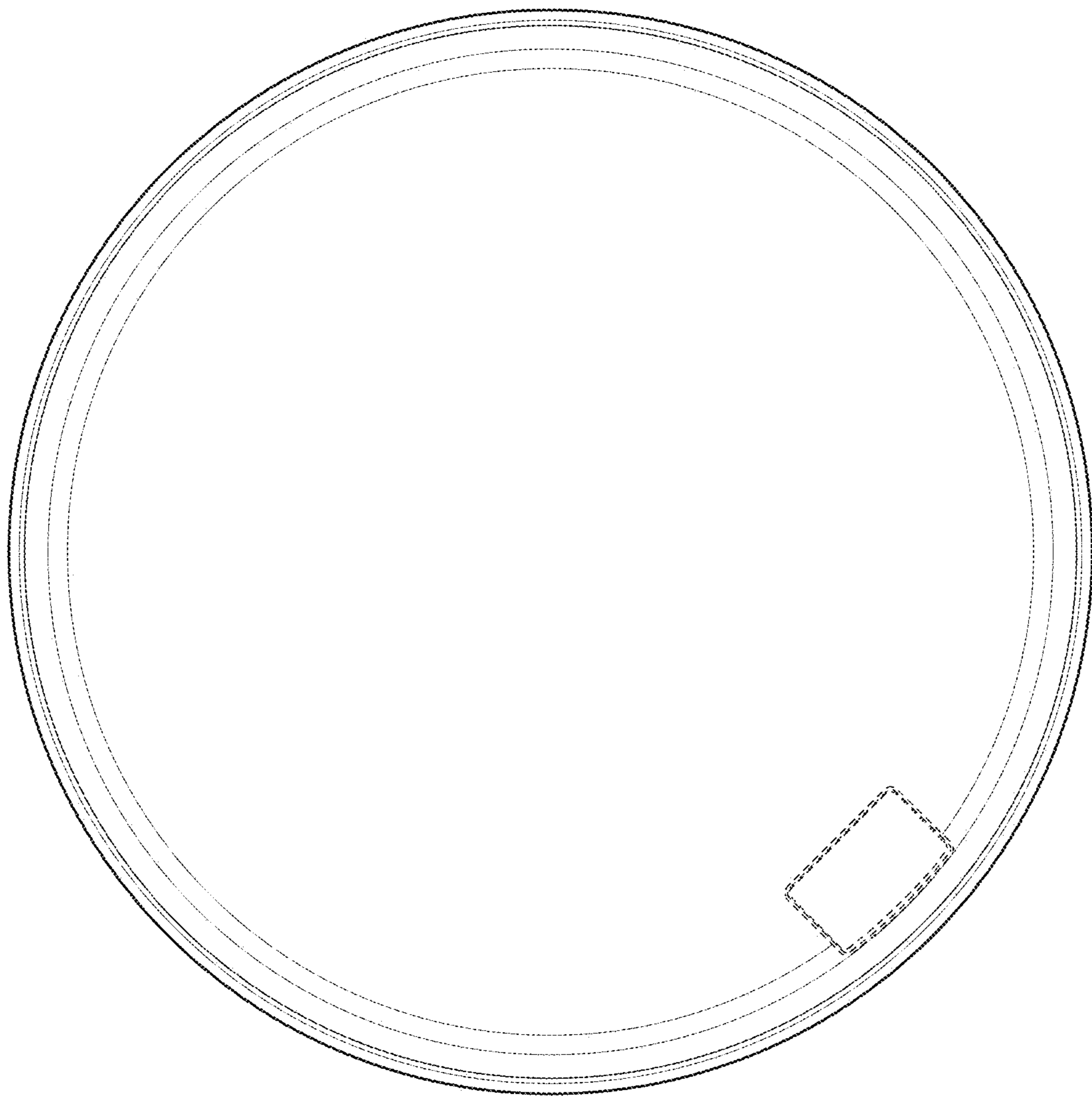


FIG. 14